



US00D933257S

(12) **United States Design Patent** (10) **Patent No.:** **US D933,257 S**
Fukuzawa et al. (45) **Date of Patent:** **** Oct. 12, 2021**

(54) **GENE AMPLIFICATION CHIP FOR MEDICAL AND LABORATORY USE**

(71) Applicant: **Nippon Sheet Glass Company, Limited**, Tokyo (JP)

(72) Inventors: **Takashi Fukuzawa**, Tokyo (JP); **Hidemitsu Takeuchi**, Tokyo (JP); **Osamu Kawaguchi**, Tokyo (JP)

(73) Assignee: **Nippon Sheet Glass Company, Limited**, Tokyo (JP)

(**) Term: **15 Years**

(21) Appl. No.: **35/508,994**

(22) Filed: **Oct. 2, 2019**

(80) **Hague Agreement Data**

Int. Filing Date: **Oct. 2, 2019**
Int. Reg. No.: **DM/205490**
Int. Reg. Date: **Oct. 2, 2019**
Int. Reg. Pub. Date: **Apr. 3, 2020**

(30) **Foreign Application Priority Data**

Apr. 9, 2019 (JP) 2019-007688

(51) **LOC (13) Cl.** **24-99**

(52) **U.S. Cl.**
USPC **D24/233; D13/182**

(58) **Field of Classification Search**
USPC D24/233; D13/182
CPC C12M 1/00; B01L 7/525; B01L 3/502723; B01L 3/50273; B01L 3/502738; G01N 35/08; G01N 37/00; G01N 35/00
See application file for complete search history.

(56) **References Cited**

U.S. PATENT DOCUMENTS

D457,146 S * 5/2002 Yamamoto D13/182
D473,198 S * 4/2003 Ozawa D13/182

D537,951 S * 3/2007 Okamoto D24/233
D556,914 S * 12/2007 Okamoto D24/233
D589,471 S * 3/2009 Komatsu D13/182
D602,885 S * 10/2009 Nielsen D13/182
D794,584 S * 8/2017 Zhao D13/182
D855,212 S * 7/2019 Komuro D24/233
2019/0255525 A1 * 8/2019 Fukuzawa B01L 3/502746
2019/0283031 A1 * 9/2019 Fukuzawa B01L 7/52
2020/0139371 A1 * 5/2020 Fukuzawa C12Q 1/6844
2020/0384465 A1 * 12/2020 Takeuchi B01L 7/525
2020/0398276 A1 * 12/2020 Fukuzawa C12M 1/00

* cited by examiner

Primary Examiner — Calvin E Vansant

(74) *Attorney, Agent, or Firm* — Sughrue Mion, PLLC

(57) **CLAIM**

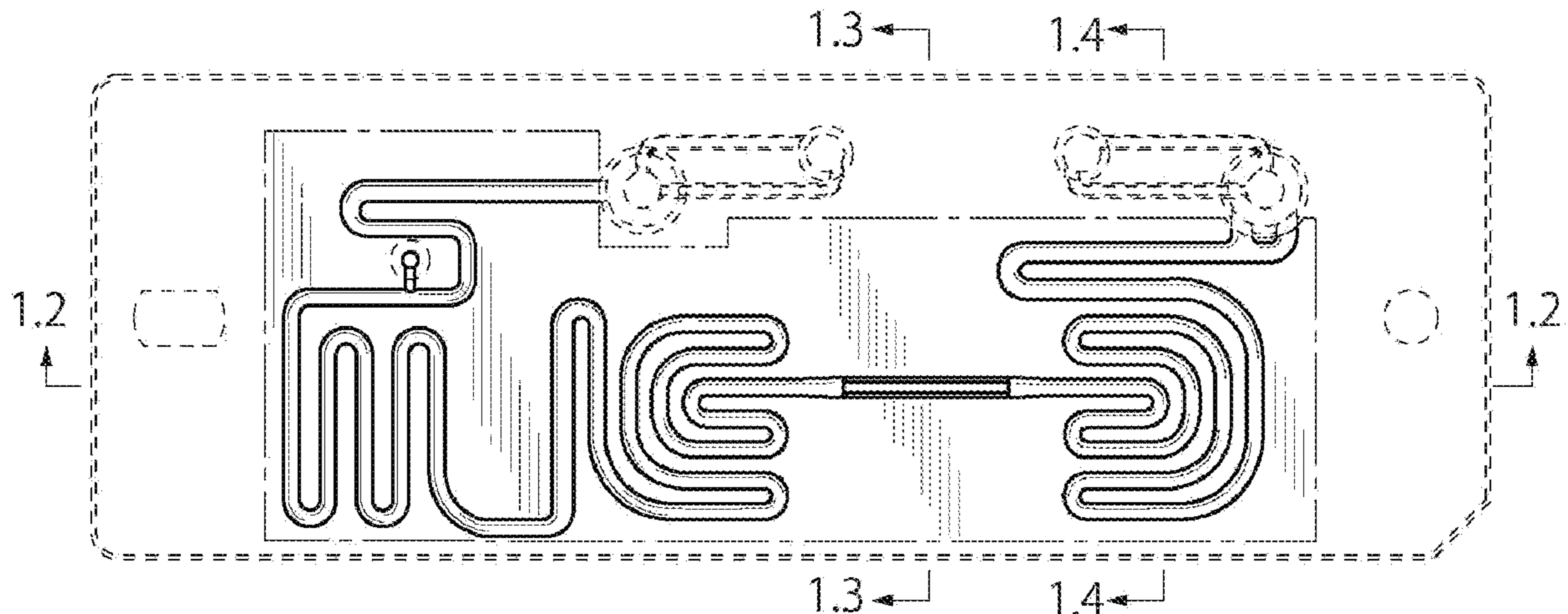
The ornamental design for a gene amplification chip for medical and laboratory use, as shown and described.

DESCRIPTION

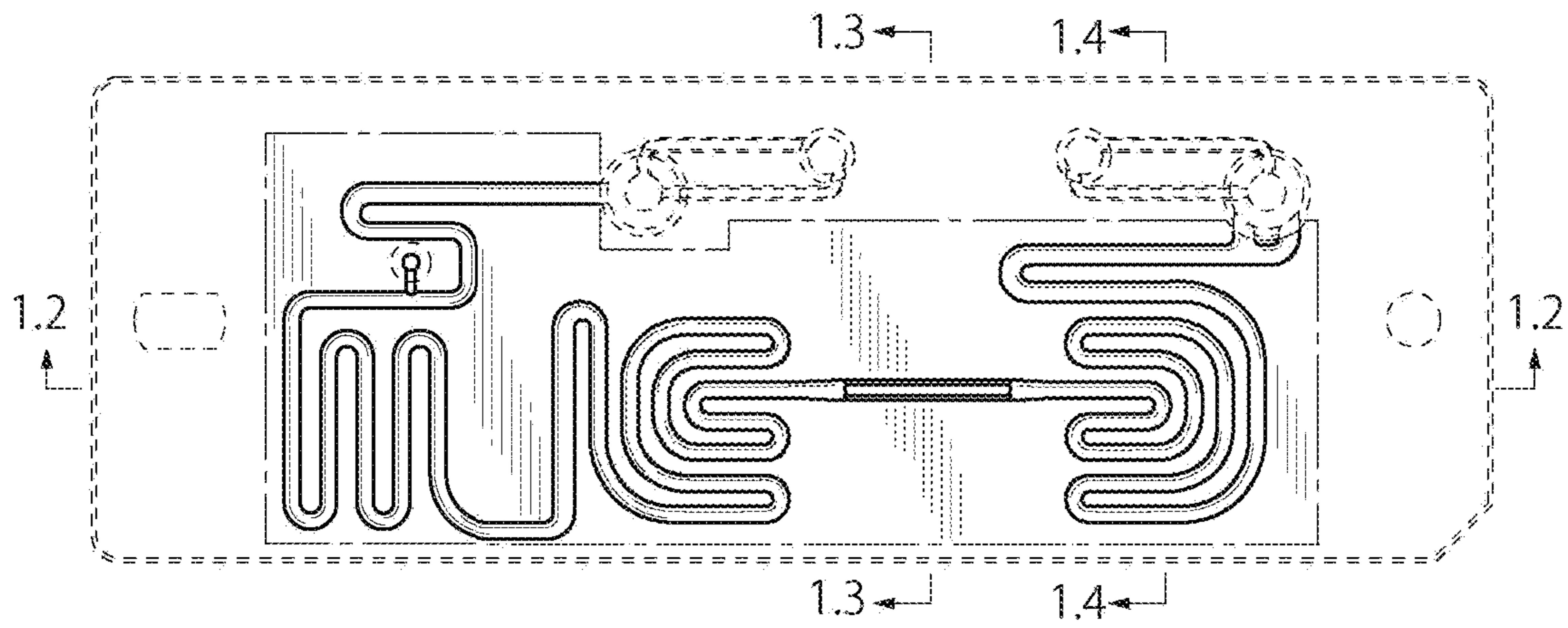
- 1.1: Front view of the gene amplification chip for medical and laboratory use.
- 1.2 : Cross sectional view thereof, sectioned horizontally along line 1.2 in reproduction 1.1.
- 1.3 : Enlarged cross-sectional view thereof, sectioned vertically along line 1.3 in reproduction 1.1.
- 1.4 : Enlarged cross-sectional view thereof, sectioned vertically along line 1.4 in reproduction 1.1.
- 1.5 : Perspective view thereof.
- 1.6 : Back view thereof.
- 1.7 : Top view thereof.
- 1.8 : Bottom view thereof.
- 1.9 : Right view thereof.
- 1.10 : Left view thereof.

The dashed broken lines depict portions of the gene amplification chip for medical and laboratory use that forms no part of the claimed design.

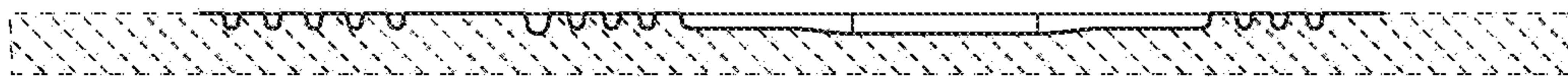
1 Claim, 10 Drawing Sheets



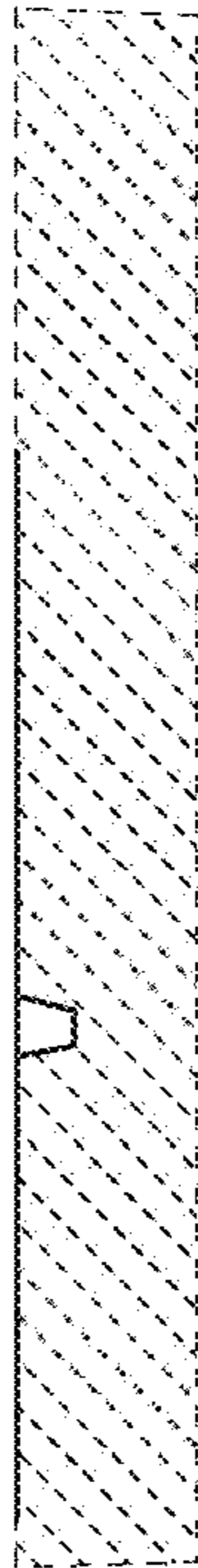
1.1



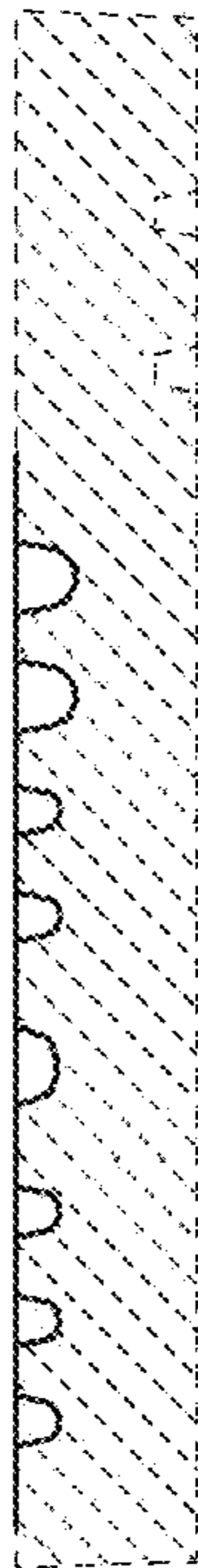
1.2



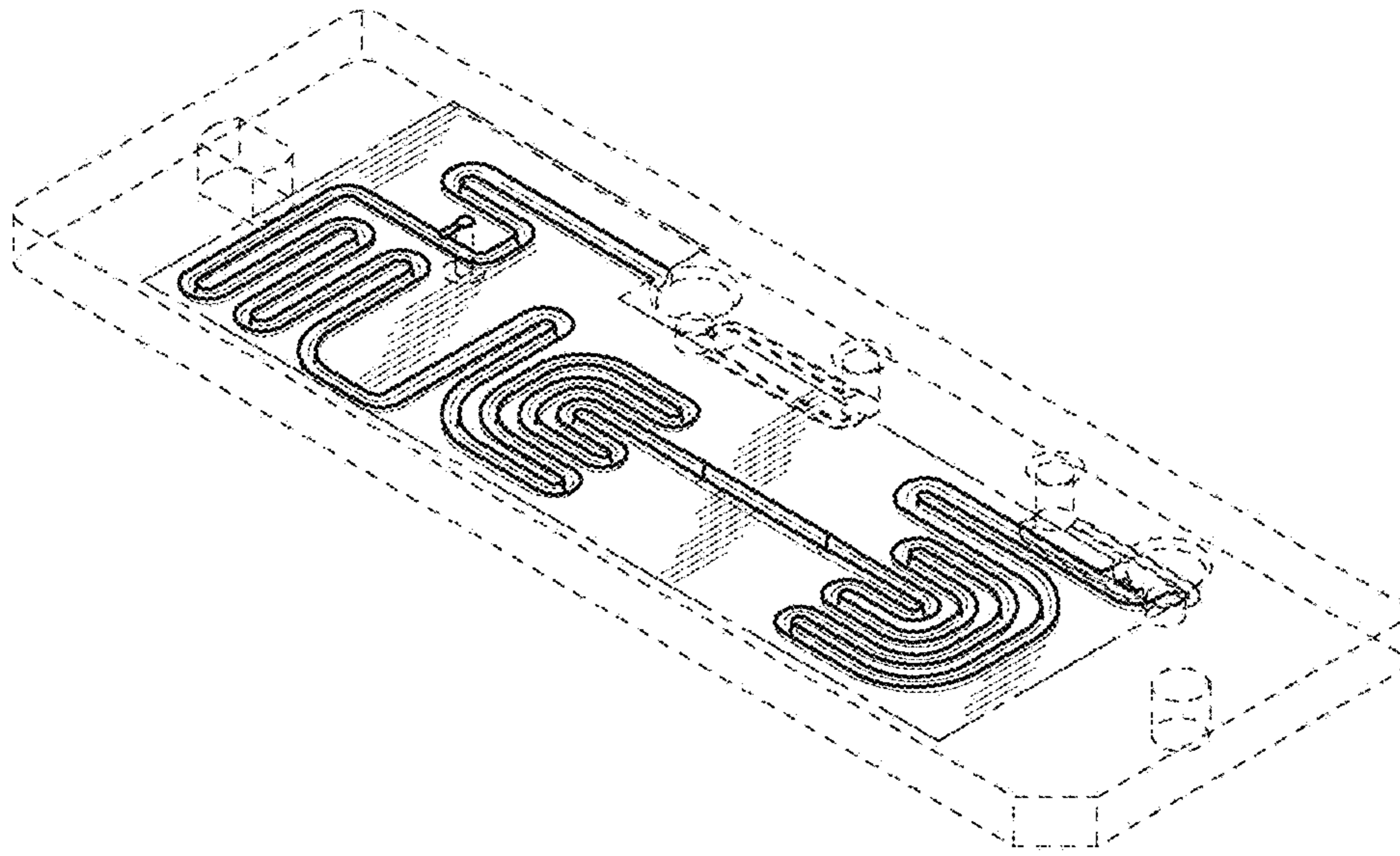
1.3



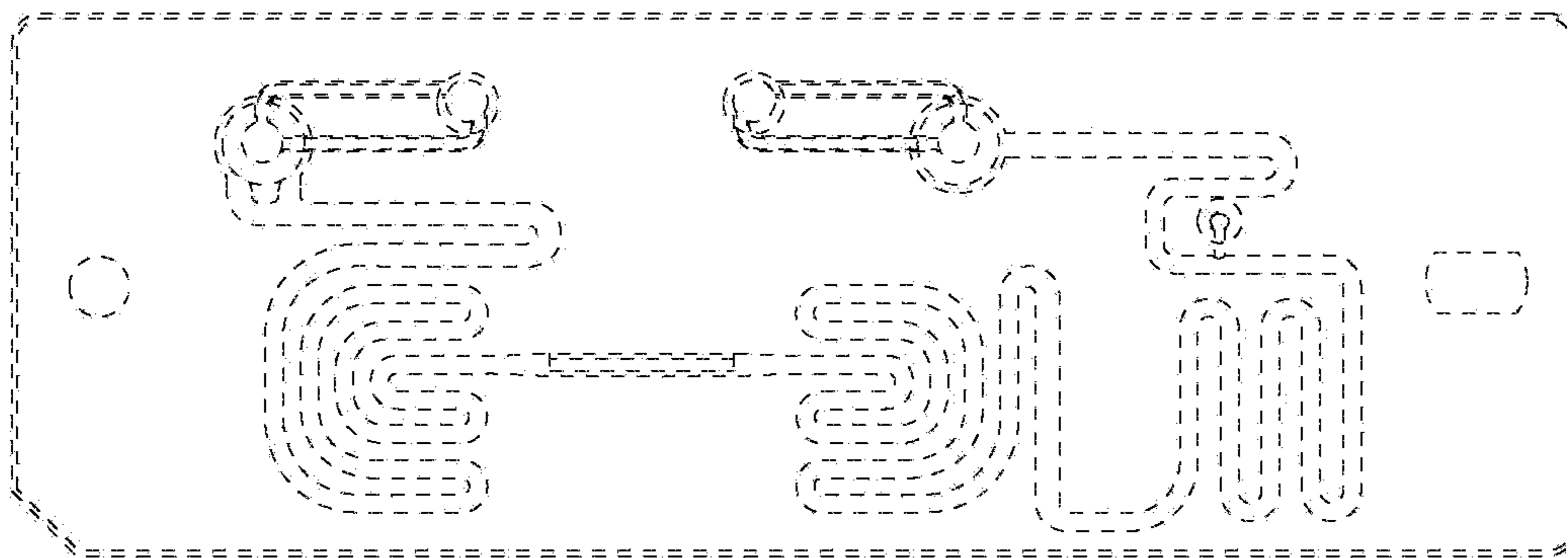
1.4



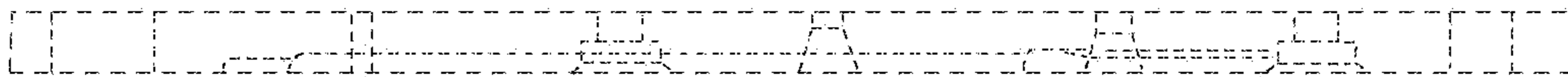
1.5



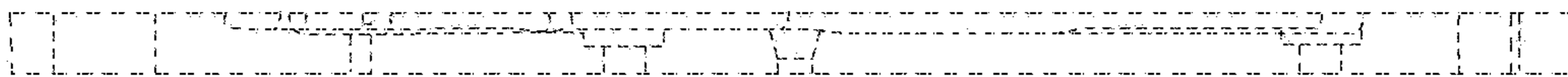
1.6



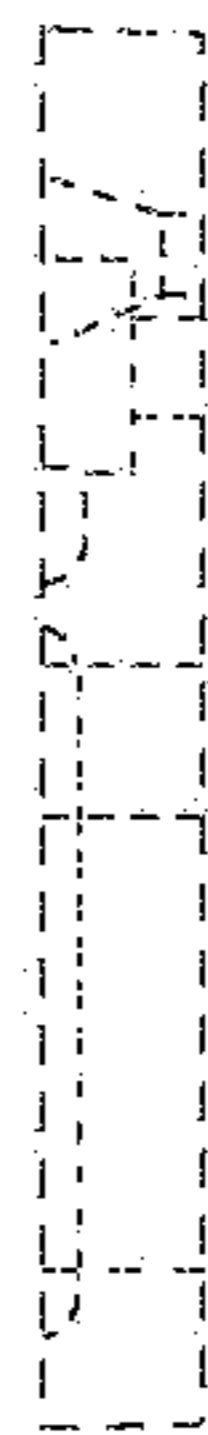
1.7



1.8



1.9



1. 10

