

US00D933256S

(12) **United States Design Patent** (10) **Patent No.:** **US D933,256 S**
Fogel et al. (45) **Date of Patent:** **** Oct. 12, 2021**

- (54) **BLOWER**
(71) Applicant: **Medline Industries, Inc.**, Northfield, IL (US)
(72) Inventors: **Jeremy Fogel**, Evanston, IL (US); **Drew Phalen**, Skokie, IL (US); **Vincent Hahn**, Chicago, IL (US)
(73) Assignee: **Medline Industries, Inc.**, Northfield, IL (US)
(**) Term: **15 Years**
(21) Appl. No.: **29/781,089**
(22) Filed: **Apr. 28, 2021**

Related U.S. Application Data

- (63) Continuation of application No. 29/748,417, filed on Aug. 28, 2020, now Pat. No. Des. 919,834, which is a continuation of application No. 29/674,071, filed on Dec. 19, 2018, now Pat. No. Des. 895,840, which is a continuation of application No. 29/630,376, filed on Dec. 20, 2017, now Pat. No. Des. 840,550.
(51) **LOC (13) Cl.** **24-01**
(52) **U.S. Cl.**
USPC **D24/232**; D24/231; D24/201
(58) **Field of Classification Search**
USPC D23/383, 370, 355, 314, 414, 371, 377, D23/385, 411; D24/201, 231, 232, 111, D24/108
CPC F04D 29/4213; F04D 29/42261; F04D 29/422; F04D 29/40; F04D 29/42; F04D 29/626; F04D 29/329; F04D 29/526; F04D 29/325; F04D 29/703; F04D 29/547; F04D 25/082; F02M 37/04; F02M 37/14; F02B 43/12
See application file for complete search history.

- (56) **References Cited**
U.S. PATENT DOCUMENTS
3,373,740 A * 3/1968 Riepl A61H 33/025
601/168
3,750,656 A * 8/1973 Vaughan A61H 33/025
601/168
D310,877 S * 9/1990 Reeves D24/201
4,991,568 A * 2/1991 Lin A61H 11/00
601/101
5,117,819 A * 6/1992 Servidio A61M 16/024
128/204.18
D344,735 S * 3/1994 Ohman D15/7
D367,930 S * 3/1996 Labadia Del Fresno D24/201
D372,101 S * 7/1996 Wentz D24/201
D383,142 S * 9/1997 Juhlin D15/9
D387,172 S * 12/1997 del Fresno D24/201
D394,268 S * 5/1998 Evans D15/7
D431,866 S * 10/2000 Wu D24/201
D460,191 S * 7/2002 Wu D24/201
D469,176 S * 1/2003 Hall D24/108

(Continued)

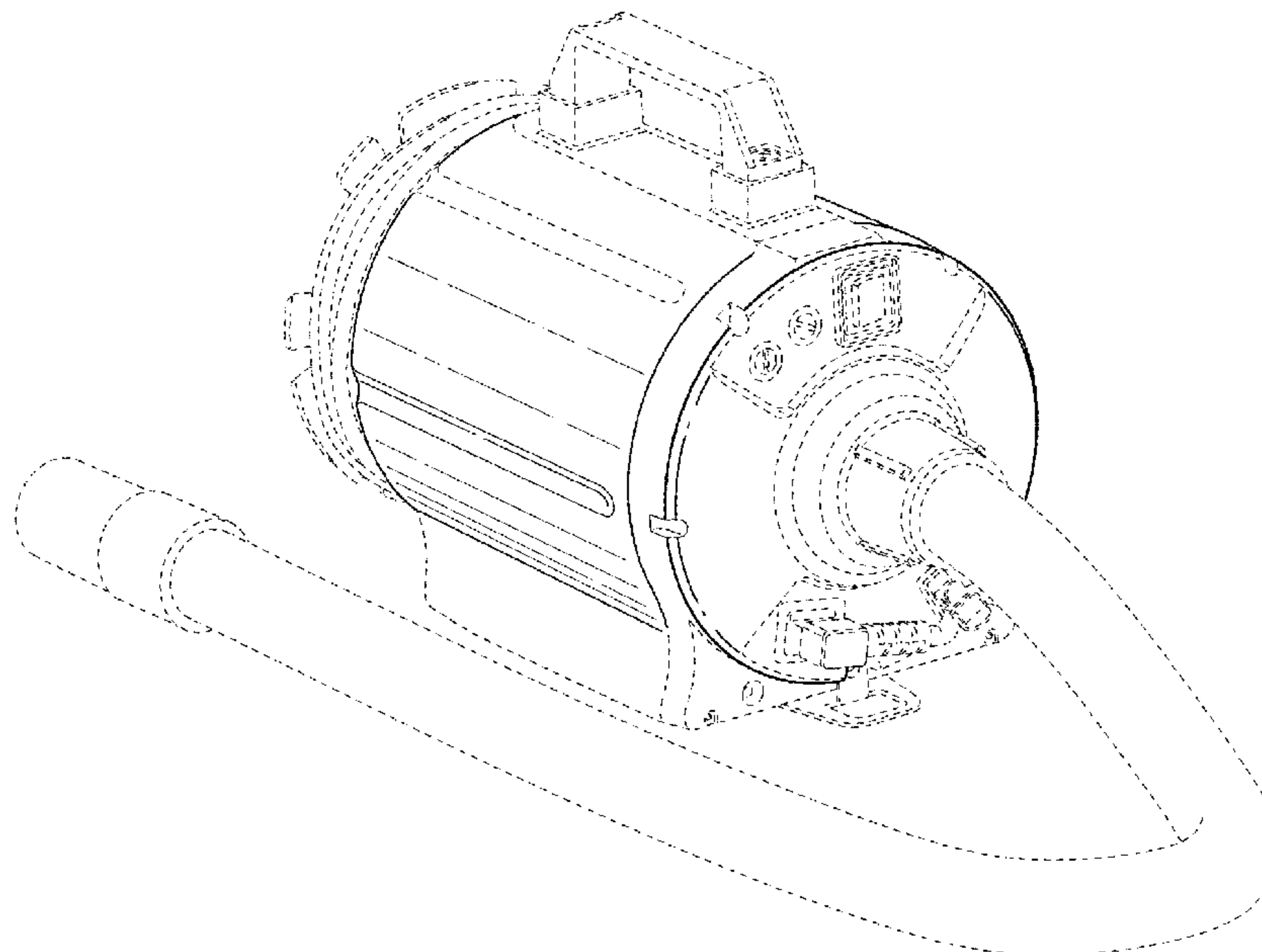
Primary Examiner — Mark A Goodwin
(74) *Attorney, Agent, or Firm* — Fitch, Even, Tabin & Flannery LLP

(57) **CLAIM**
The ornamental design for a blower, as shown and described.

DESCRIPTION

FIG. 1 is a perspective view of our new design of a blower; FIG. 2 is a top plan view thereof; FIG. 3 is a front elevation view thereof; FIG. 4 is a right side elevation view thereof; FIG. 5 is a left side elevation view thereof; FIG. 6 is a rear elevation view thereof; and, FIG. 7 is a bottom plan view thereof.
The broken lines depict portions of the blower that form no part of the claimed design.

1 Claim, 7 Drawing Sheets



(56)

References Cited

U.S. PATENT DOCUMENTS

D503,788	S	*	4/2005	Wang	D23/383
D634,418	S	*	3/2011	Li	D23/383
D679,801	S	*	4/2013	Abel	D24/110
D687,944	S	*	8/2013	Zwolinsky	D24/110
D735,319	S	*	7/2015	Sabin	D24/111
D739,026	S	*	9/2015	Anger	D24/164
D768,289	S	*	10/2016	Hyde	D24/111
D768,290	S	*	10/2016	Hyde	D24/111
D768,847	S	*	10/2016	Hyde	D24/111
D801,521	S	*	10/2017	Hyde	D24/111
D840,550	S	*	2/2019	Fogel	D24/232
D895,840	S	*	9/2020	Fogel	D24/232

* cited by examiner

FIG. 1

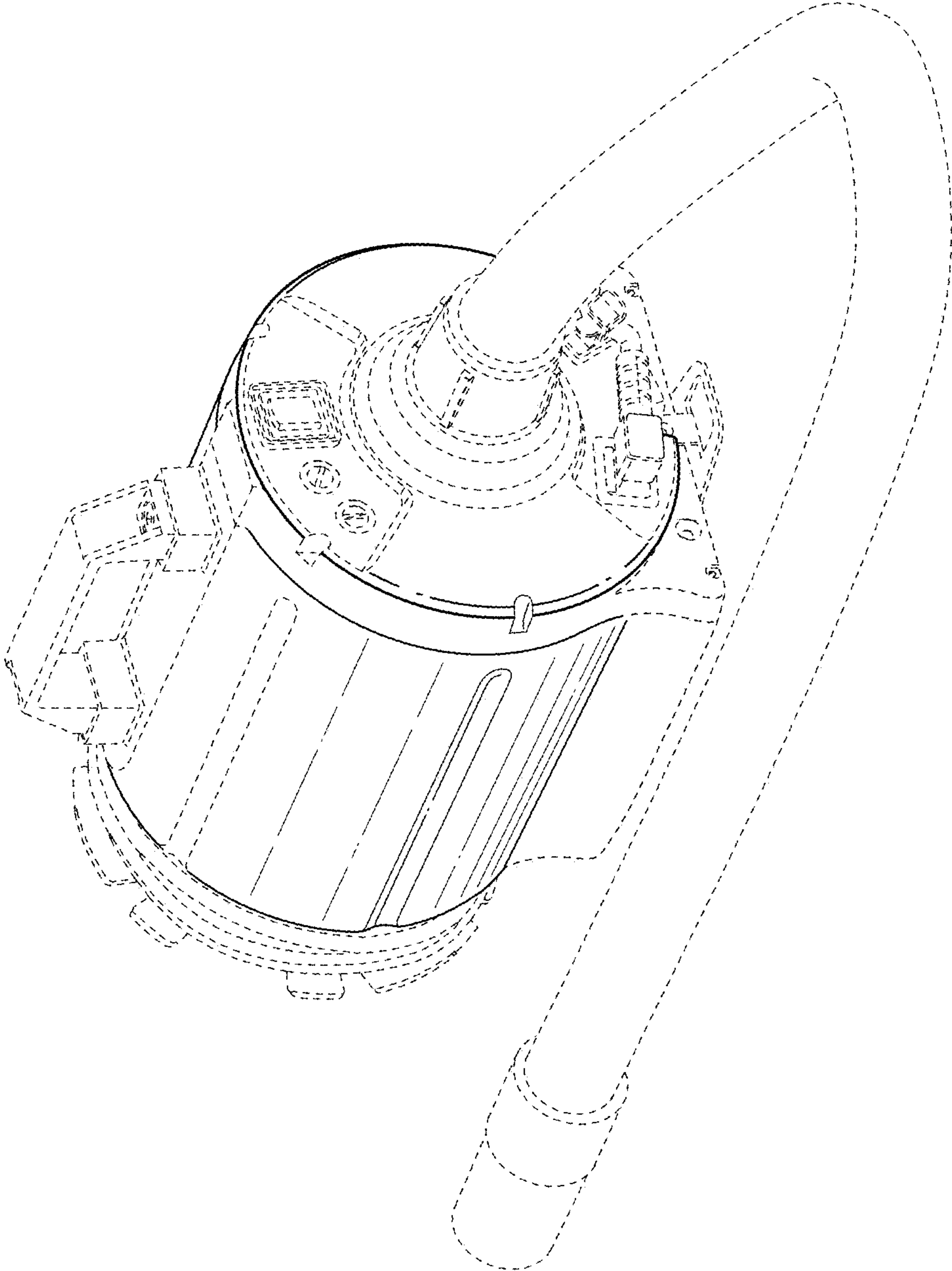


FIG. 2

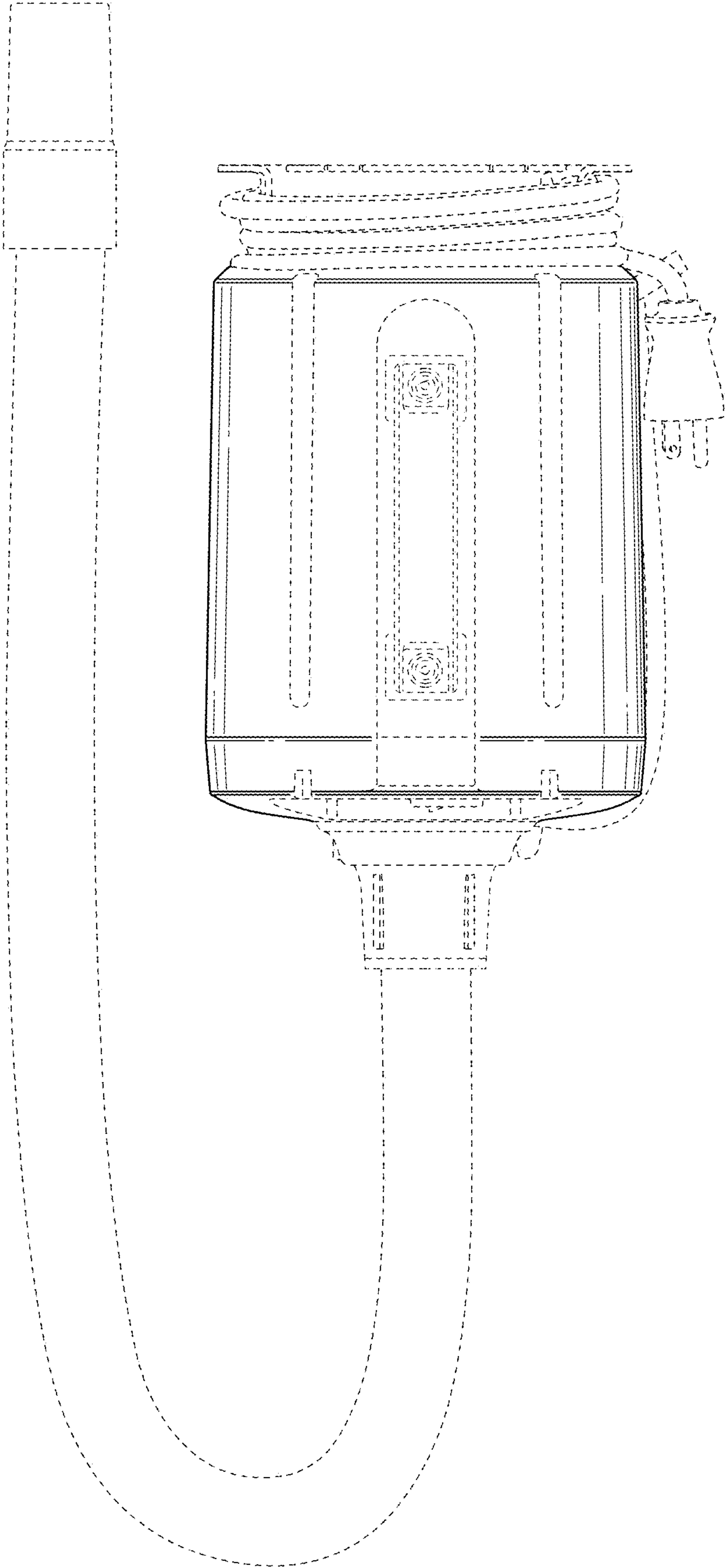


FIG. 3

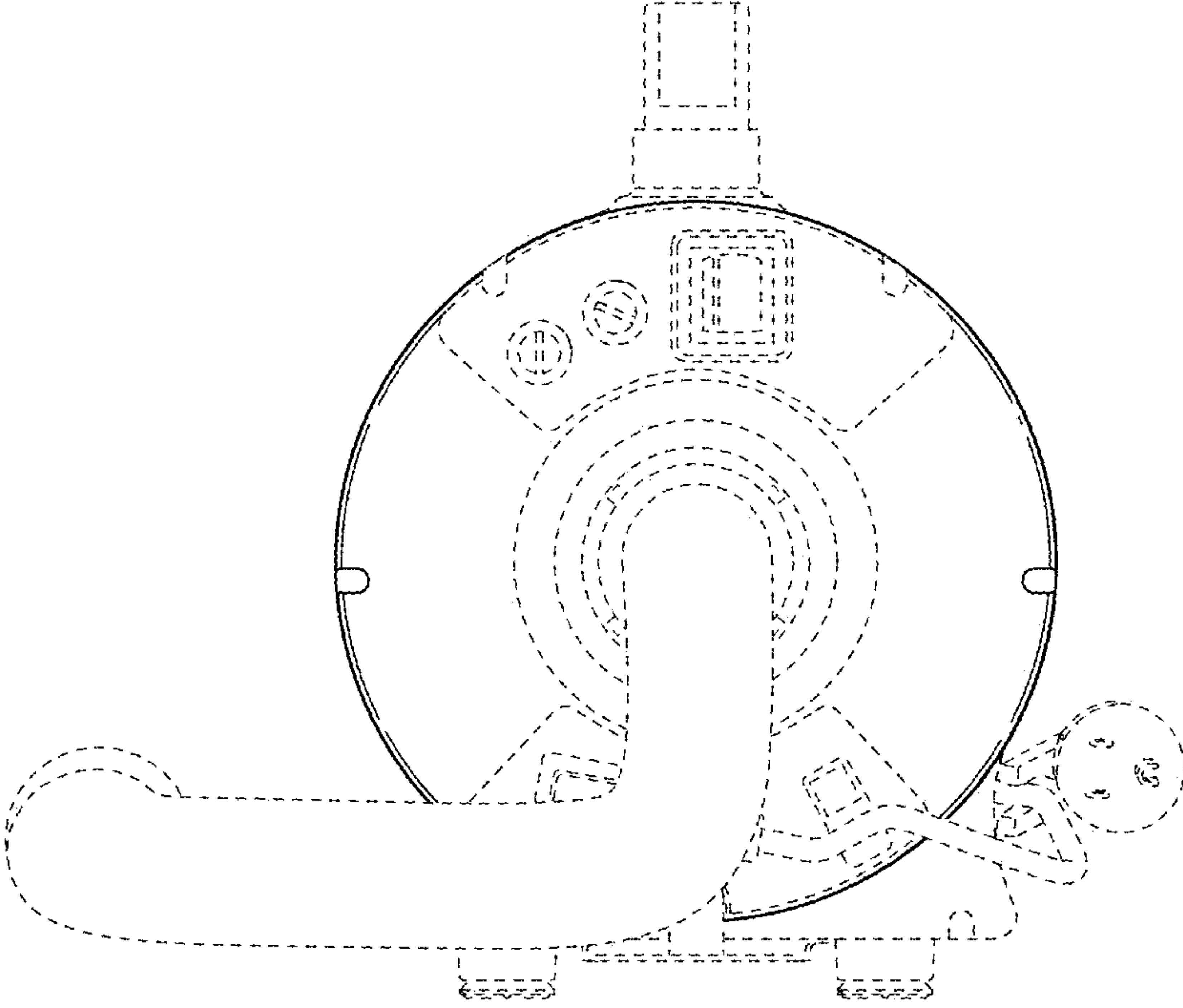


FIG. 4

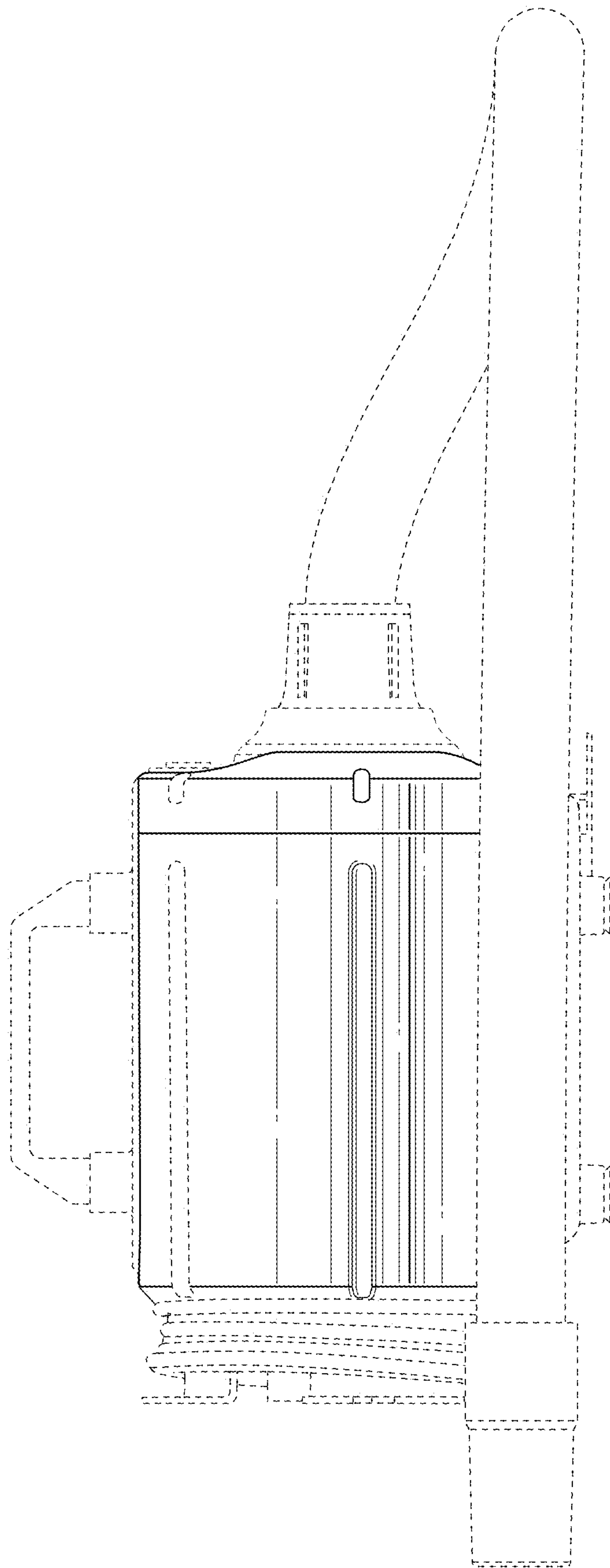


FIG. 5

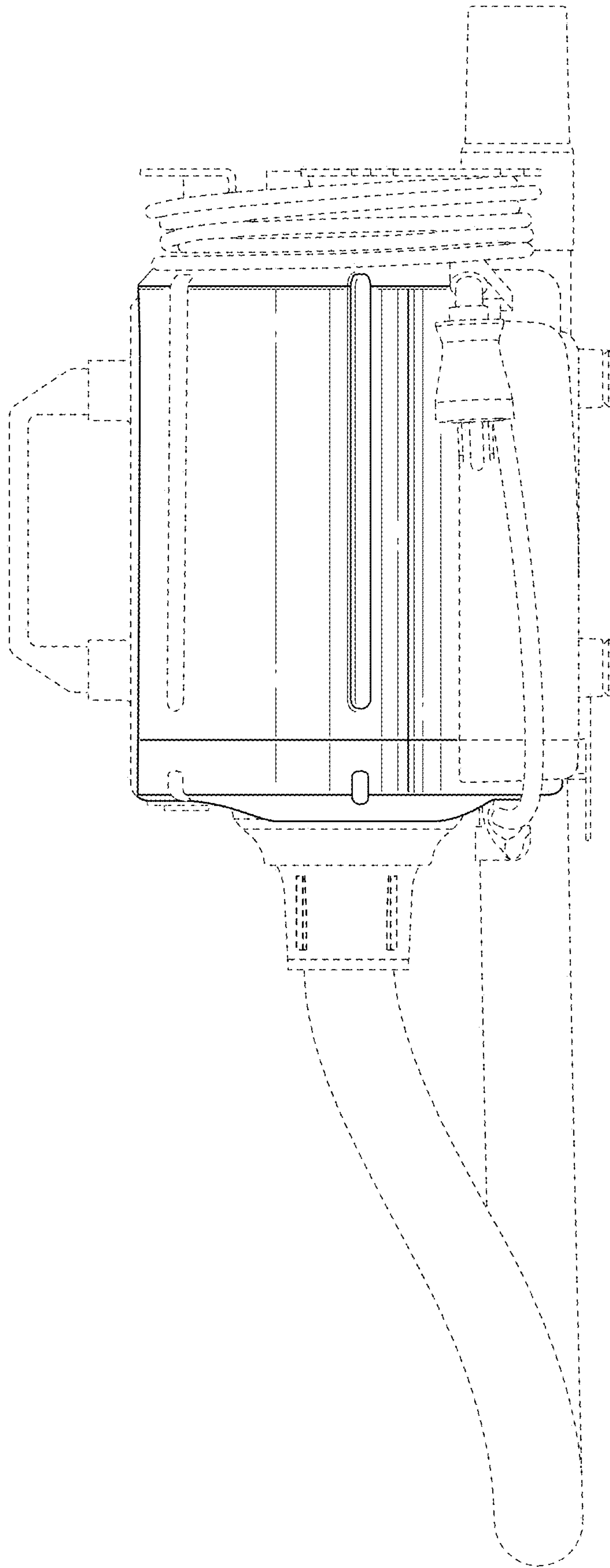


FIG. 6

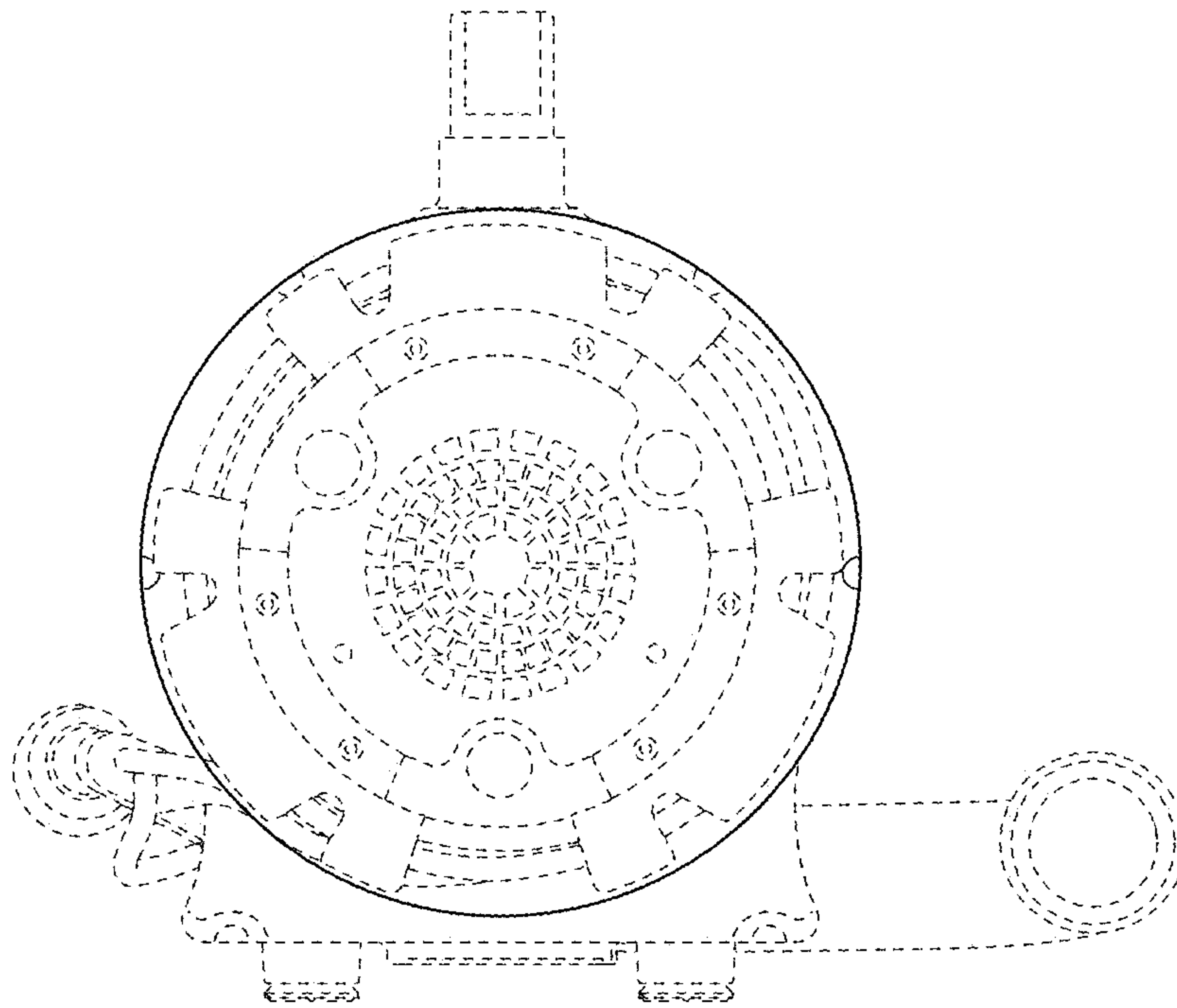


FIG. 7

