



US00D933255S

(12) **United States Design Patent** (10) **Patent No.:** **US D933,255 S**
Carter et al. (45) **Date of Patent:** **** Oct. 12, 2021**

(54) **MEDICAL VIAL HOLDER**
(71) Applicant: **TBM Medical Solutions, Inc.**, Simi Valley, CA (US)
(72) Inventors: **David Peter Carter**, Oxfordshire (GB); **Simon Edward Morse**, Oxfordshire (GB)
(73) Assignee: **TBM Medical Solutions, Inc.**, Simi Valley, CA (US)

5,924,659 A 7/1999 Babcock
D622,377 S 8/2010 Jackson
8,302,640 B2 11/2012 Molina et al.
D799,717 S * 10/2017 Bohm D24/232
9,878,098 B1 1/2018 Opland
10,441,711 B2 10/2019 Brehm et al.
D872,299 S * 1/2020 Trump D24/224
D896,367 S * 9/2020 Combs D24/121
D904,627 S * 12/2020 Black D24/194
2002/0124905 A1 9/2002 Draughn et al.

(Continued)

(**) Term: **15 Years**

(21) Appl. No.: **29/700,400**

(22) Filed: **Aug. 1, 2019**

(51) **LOC (13) Cl.** **24-02**

(52) **U.S. Cl.**
USPC **D24/227**

(58) **Field of Classification Search**
USPC D24/169, 216, 222-226, 231-232;
D9/500, 516, 517, 520, 572, 575;
D10/80-81
CPC . A61B 5/743; B01L 3/52; B01L 3/523; B01L 3/527
See application file for complete search history.

(56) **References Cited**

U.S. PATENT DOCUMENTS

3,314,635 A 4/1967 Frye
3,982,716 A 9/1976 Trees
4,005,844 A 2/1977 Richmond
5,013,155 A * 5/1991 Rybak G01N 21/03
250/228
5,316,732 A * 5/1994 Golukhov B01L 3/502
206/438
5,669,502 A * 9/1997 Ong A61J 1/2096
206/528
D392,093 S * 3/1998 Dierking D3/208
5,775,485 A * 7/1998 Dierking B65D 25/22
206/37

FOREIGN PATENT DOCUMENTS

KR D2014-806 * 1/2014

Primary Examiner — Susan Bennett Hattan

Assistant Examiner — Omeed Agilee

(74) *Attorney, Agent, or Firm* — Lance M. Pritikin

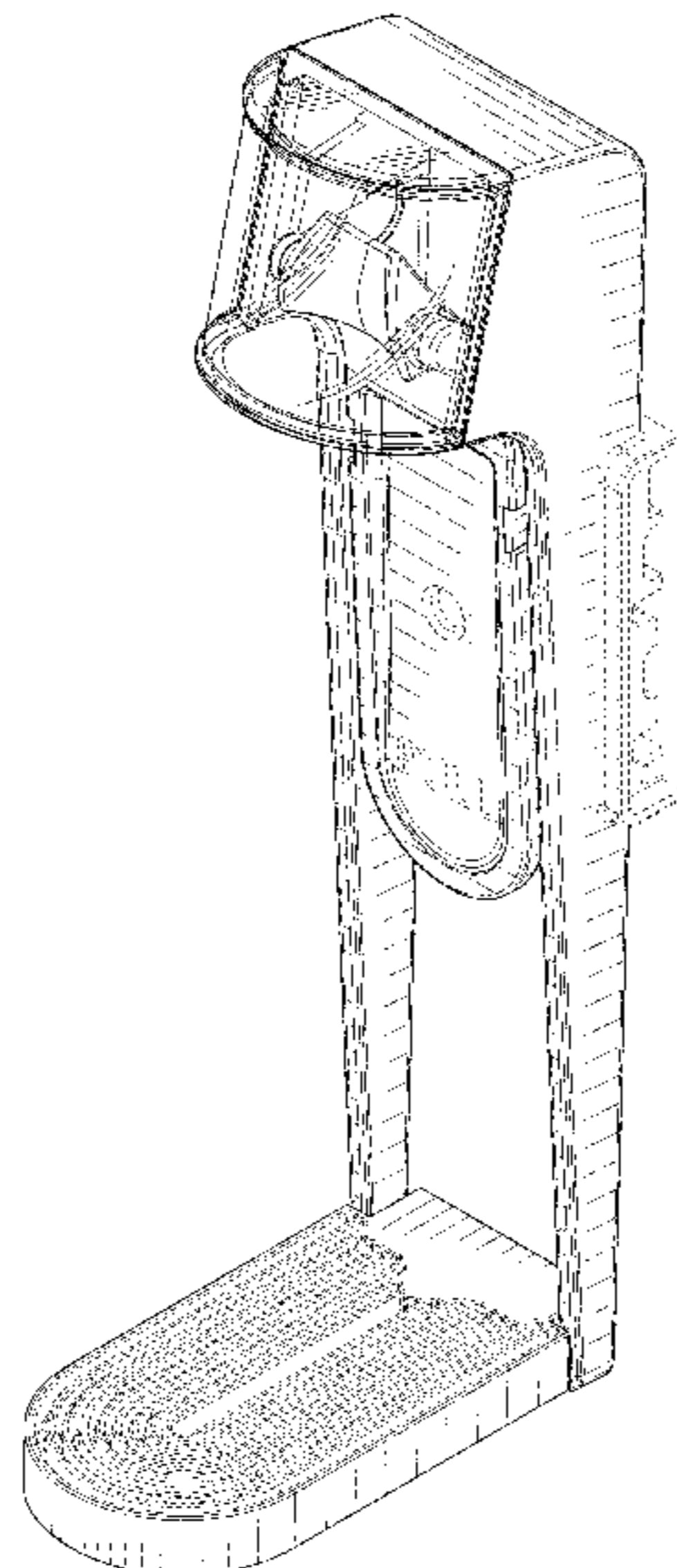
(57) **CLAIM**

The ornamental design for a medical vial holder, as shown and described.

DESCRIPTION

FIG. 1 is a front perspective view of a medical vial holder, showing my new design;
FIG. 2 is a front elevational view thereof;
FIG. 3 is a rear elevational view thereof;
FIG. 4 is a left side elevational view thereof;
FIG. 5 is a right side elevational view thereof;
FIG. 6 is a top plan view thereof;
FIG. 7 is a bottom plan view thereof;
FIG. 8 is a rear perspective view thereof;
FIG. 9 is a front perspective view thereof showing the article next to two similar unclaimed medical vial holders;
FIG. 10 is a front perspective view thereof showing the article with an unclaimed bracket; and,
FIG. 11 is a rear perspective view thereof.
The broken lines in the Figures represent environmental structure and form no part of the claimed design.

1 Claim, 9 Drawing Sheets



(56)

References Cited

U.S. PATENT DOCUMENTS

2011/0253251 A1 10/2011 Mudd
2012/0101407 A1* 4/2012 Chan A61B 5/150259
600/576
2019/0151851 A1* 5/2019 Kauffmann B01L 3/527

* cited by examiner

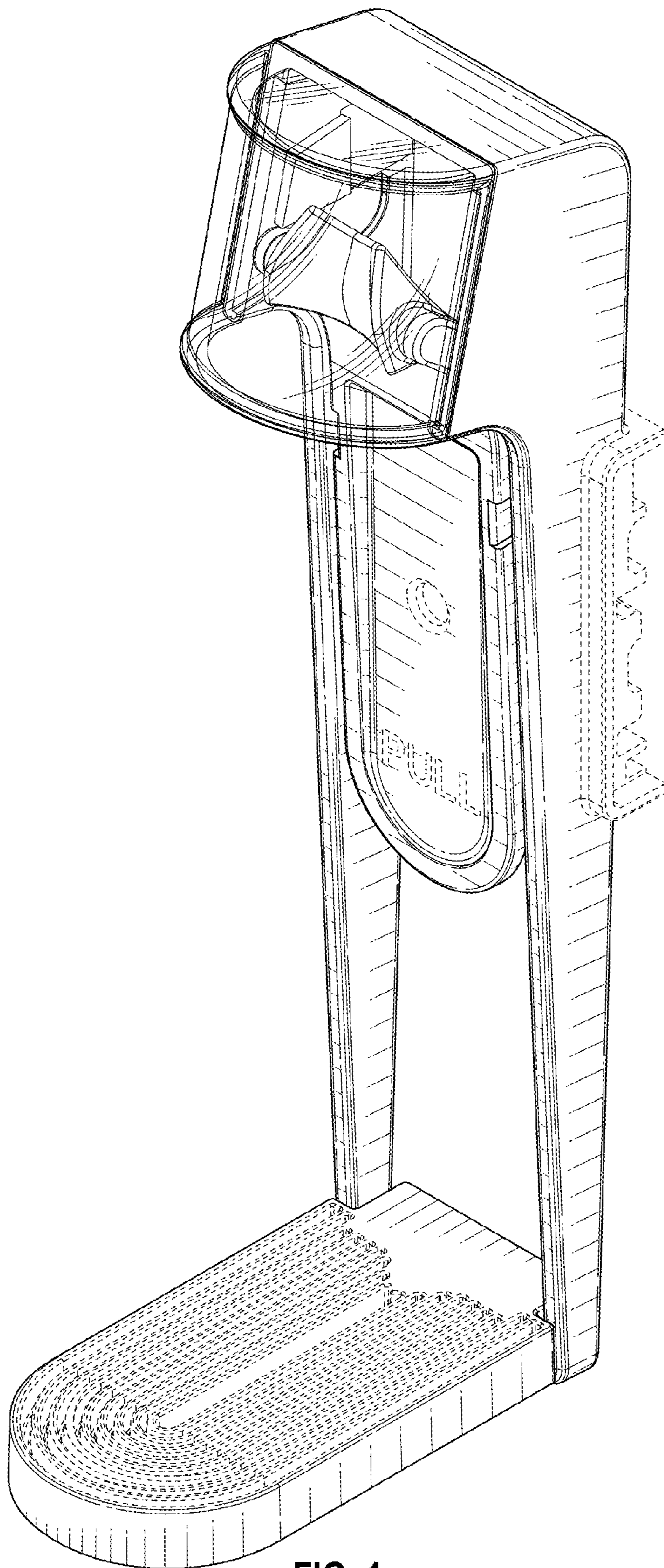


FIG. 1

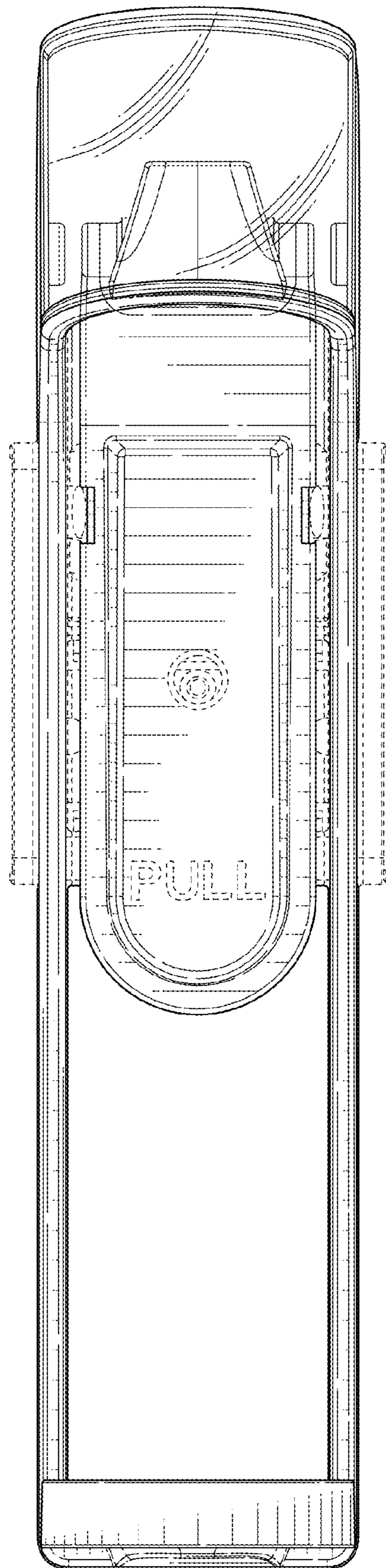


FIG. 2

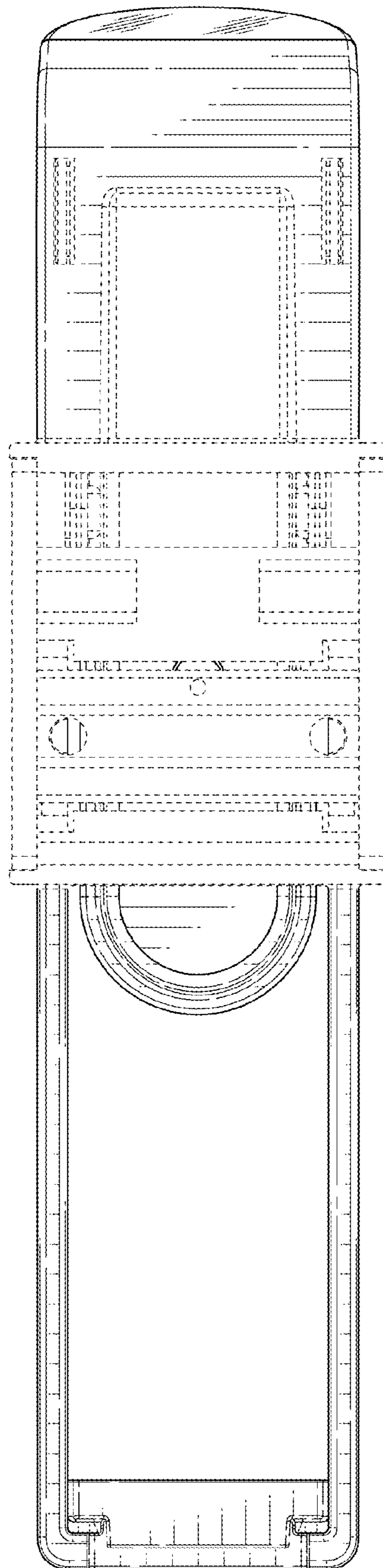


FIG. 3

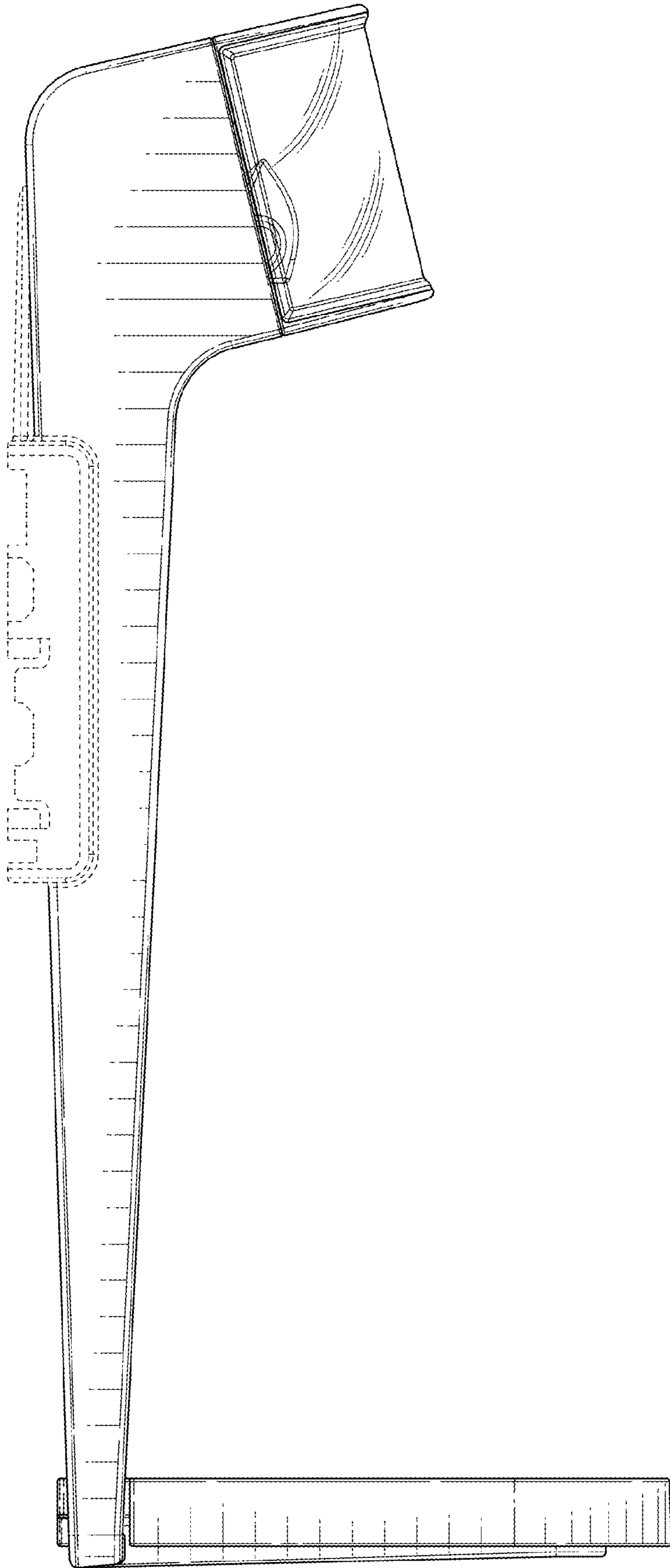


FIG. 4

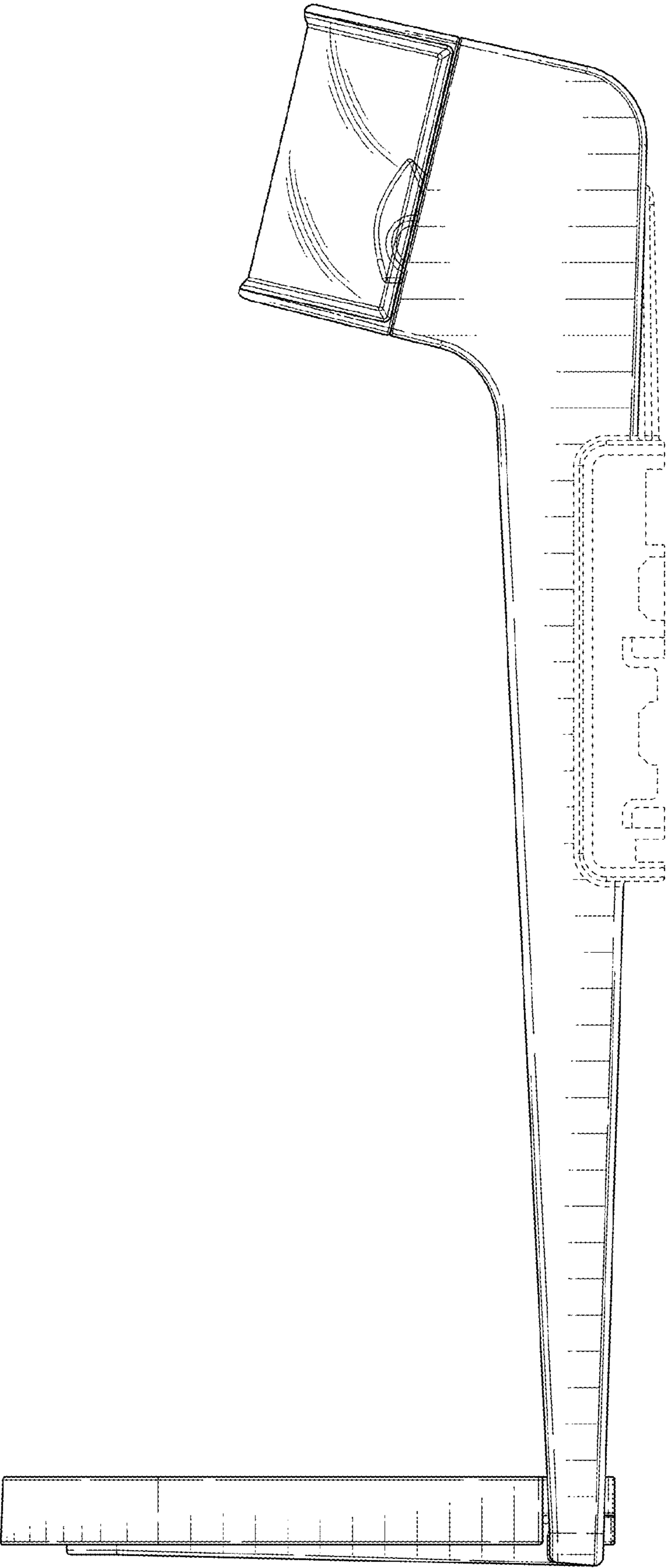


FIG. 5

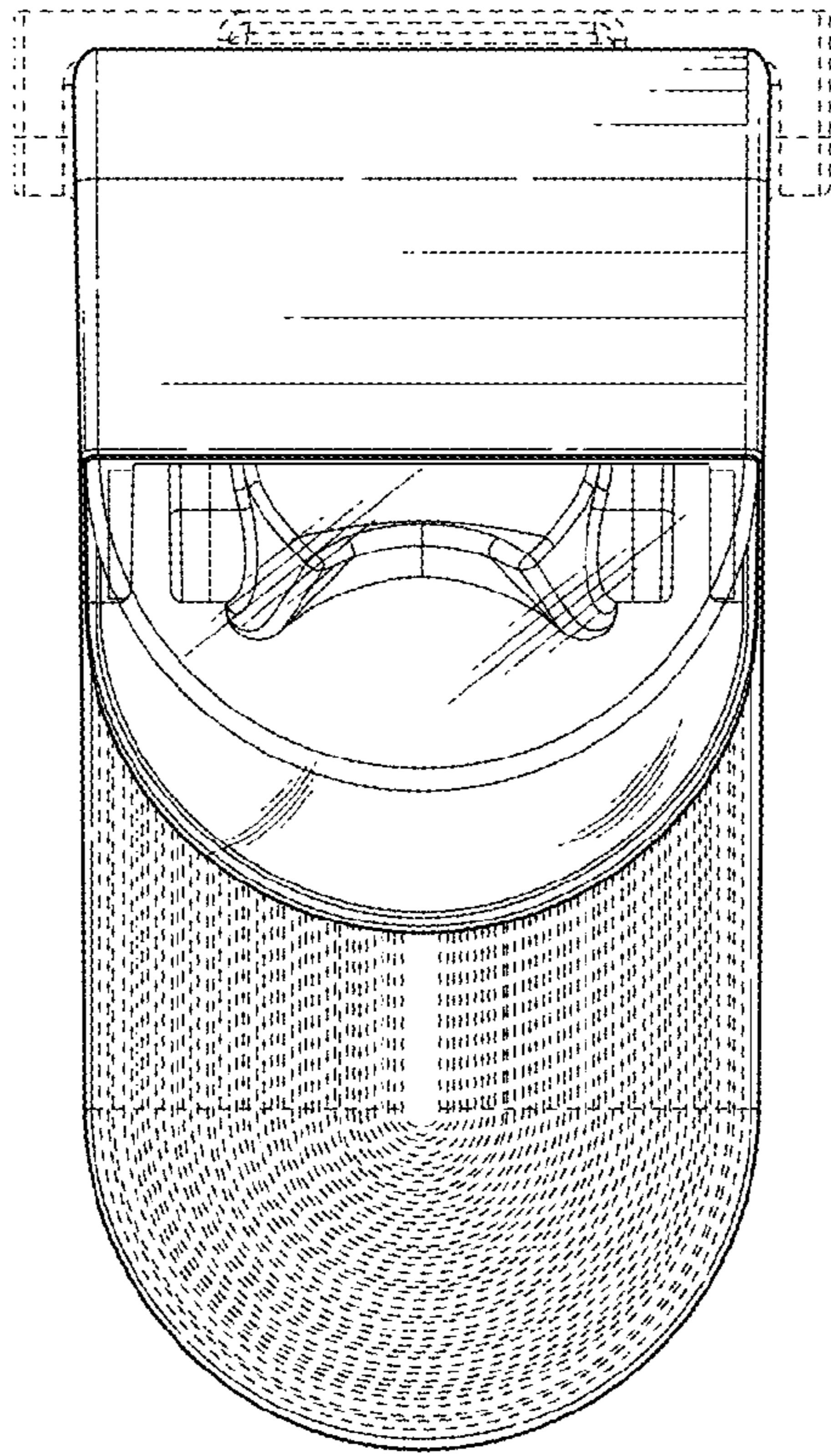


FIG. 6

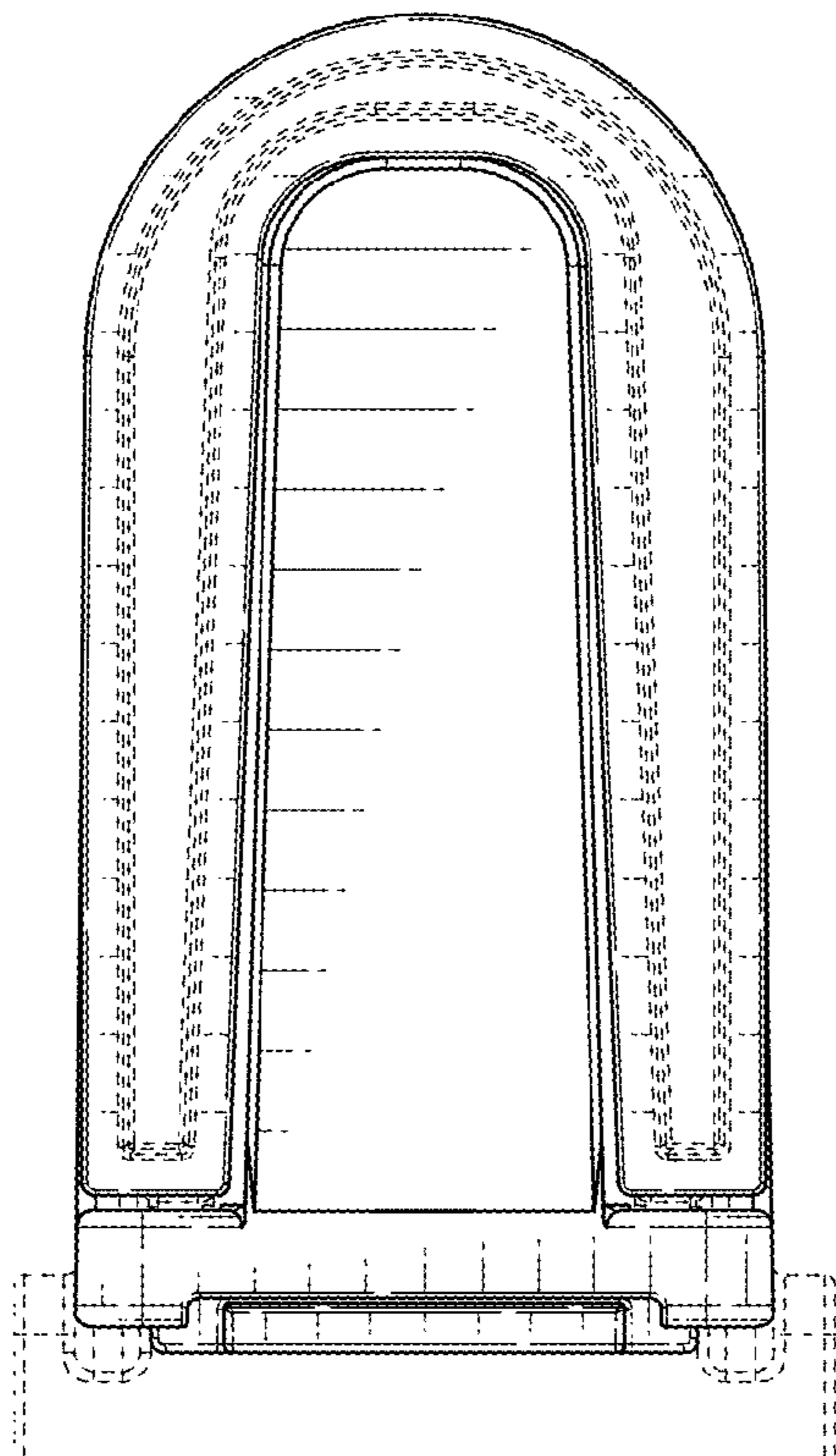


FIG. 7

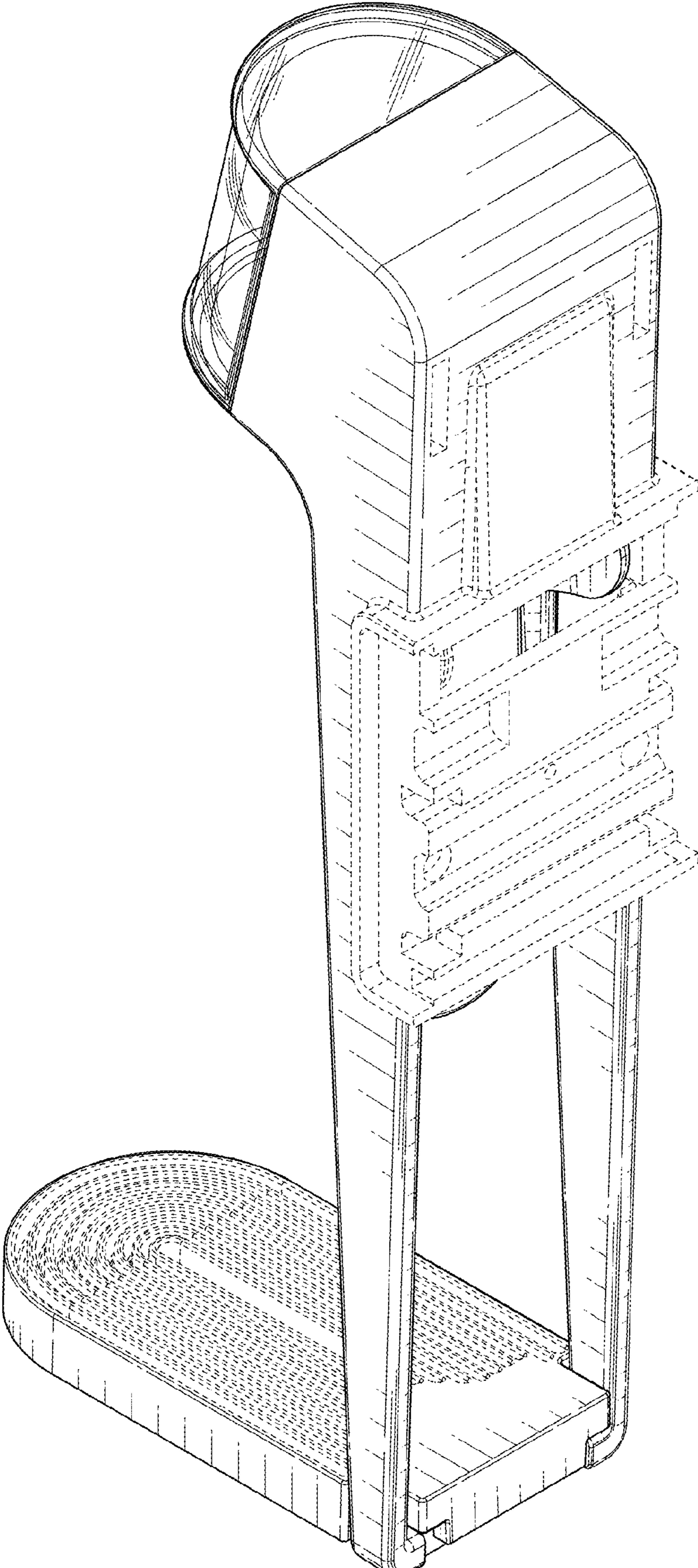


FIG. 8

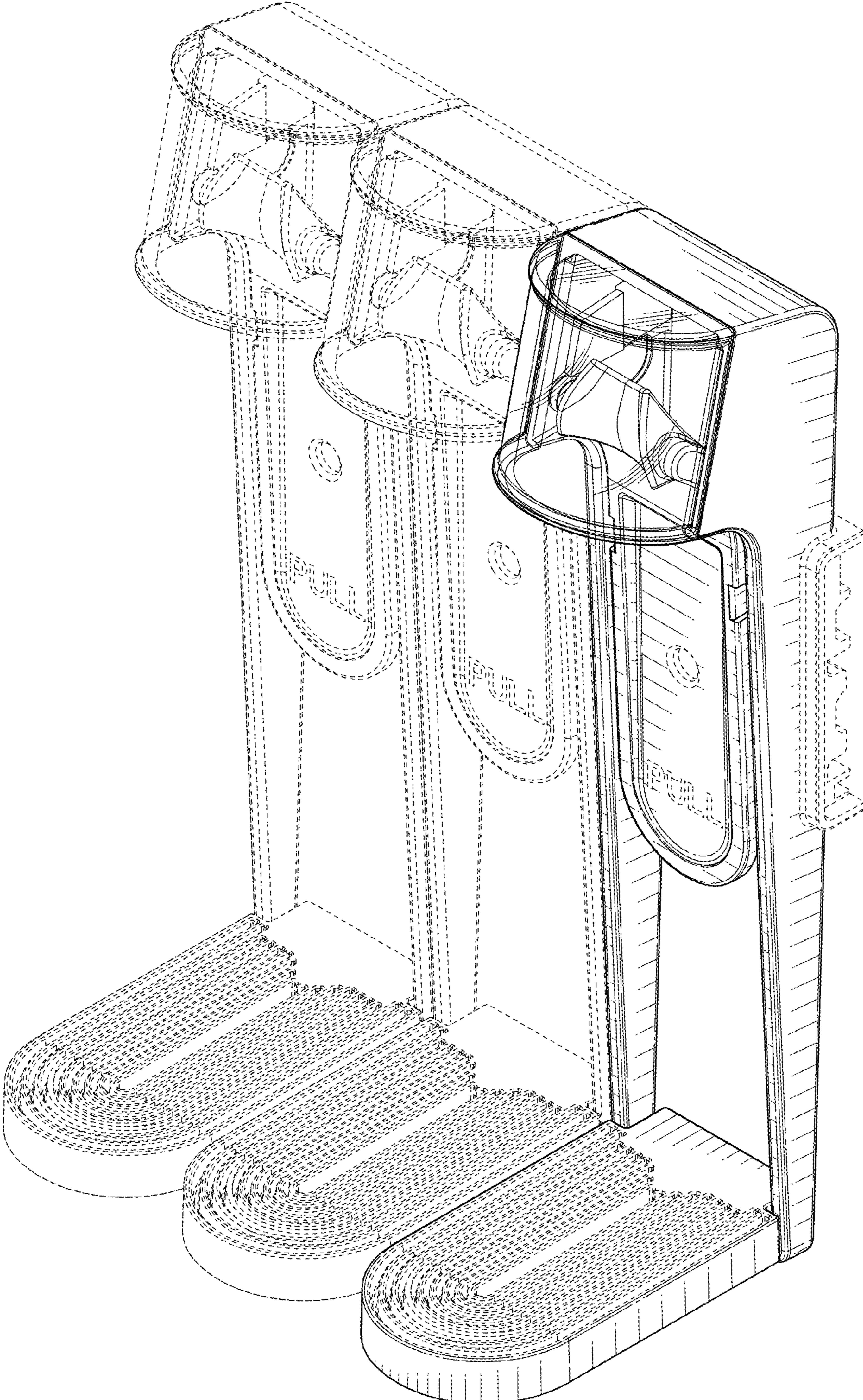


FIG. 9

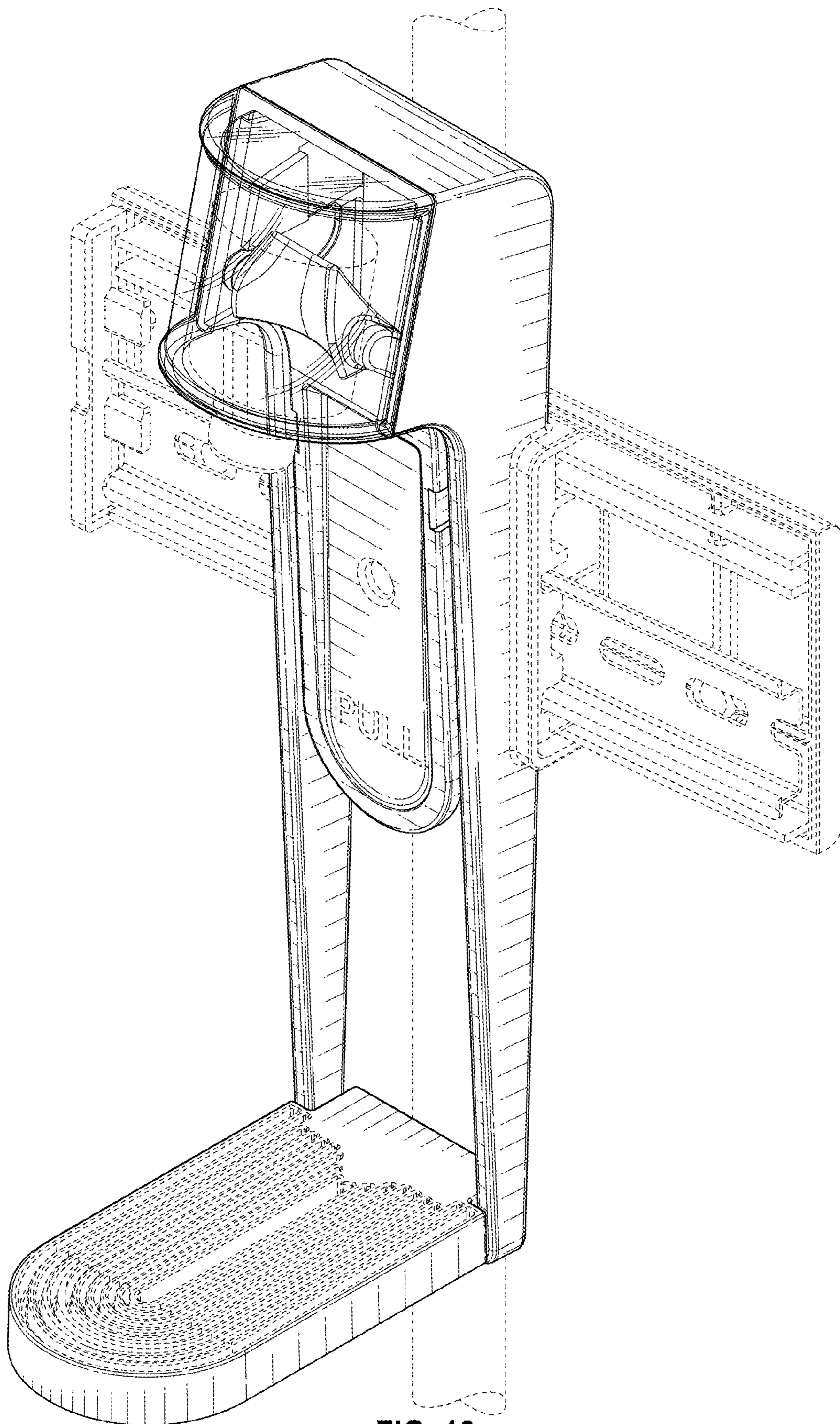


FIG. 10

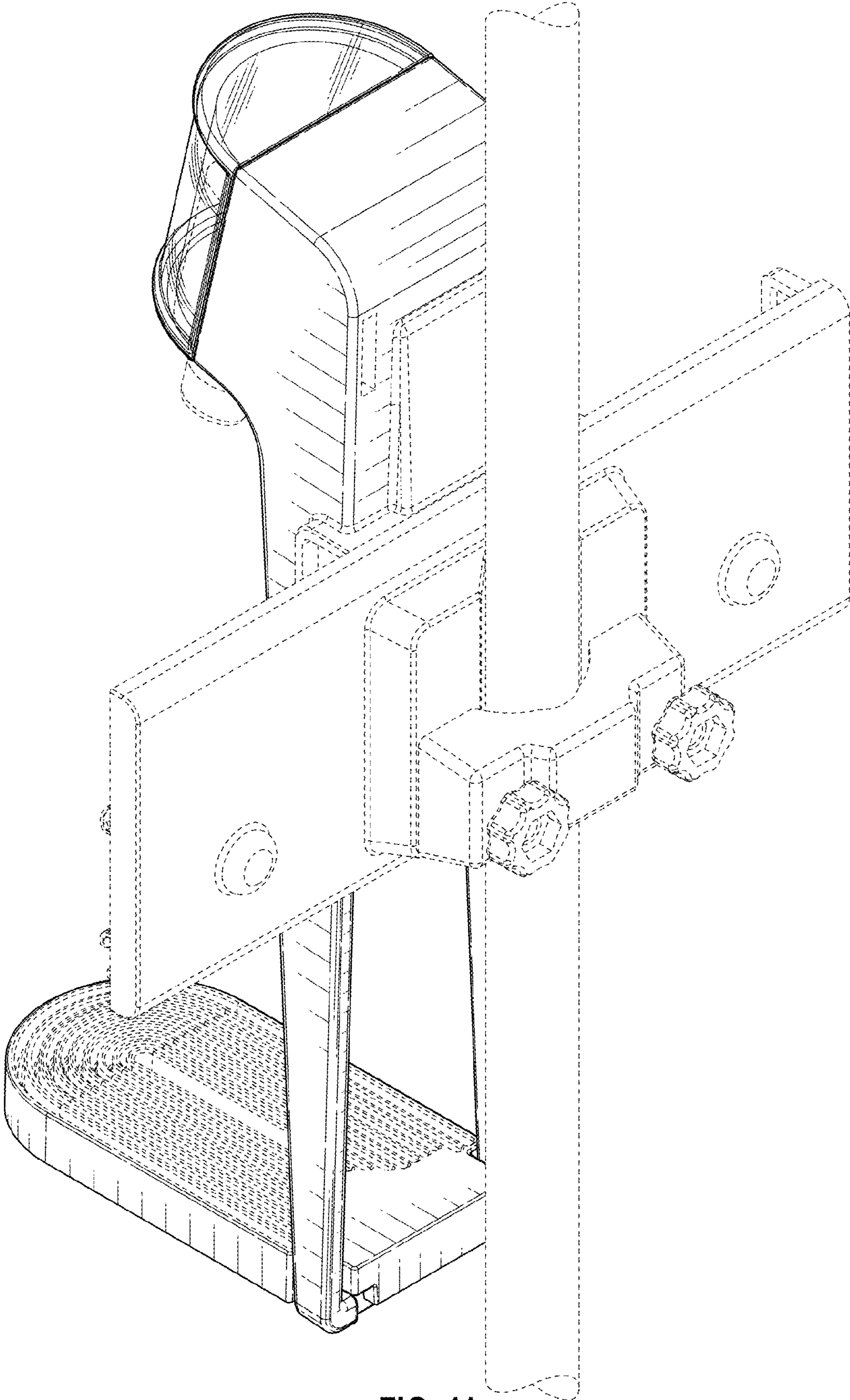


FIG. 11