



US00D933254S

(12) **United States Design Patent** (10) **Patent No.:** **US D933,254 S**
Darbyshire et al. (45) **Date of Patent:** **** Oct. 12, 2021**

- (54) **REAGENT CASSETTE**
- (71) Applicant: **LEICA BIOSYSTEMS
MELBOURNE PTY LTD**, Mount
Waverley (AU)
- (72) Inventors: **Paul Darbyshire**, Bentleigh (AU);
Maxim Stanislaw Pamieta, South
Yarra (AU); **Mark Wilcock**, Parkdale
(AU)
- (73) Assignee: **LEICA BIOSYSTEMS
MELBOURNE PTY LTD**, Mount
Waverley (AU)
- (**) Term: **15 Years**
- (21) Appl. No.: **29/694,965**
- (22) Filed: **Jun. 14, 2019**
- (30) **Foreign Application Priority Data**

Dec. 14, 2018 (AU) 201817552

(51) **LOC (13) Cl.** **24-02**

(52) **U.S. Cl.**
USPC **D24/226**

(58) **Field of Classification Search**
USPC D24/107, 216, 217, 219, 223–226, 227,
D24/229, 230, 232; D10/81
CPC B01L 9/06; B01L 3/50855; G01N 1/36
See application file for complete search history.

(56) **References Cited**

U.S. PATENT DOCUMENTS

D367,932 S	*	3/1996	Lim	D24/224
D481,133 S	*	10/2003	Blouin	D24/216
D482,454 S	*	11/2003	Gebrian	D24/226
D670,818 S	*	11/2012	Galano	D24/224
D794,823 S	*	8/2017	Nelson	D24/233
D811,616 S	*	2/2018	Shanafelter	D24/227
D837,401 S	*	1/2019	Gardner	D24/230

D883,513 S	*	5/2020	Jenoski	D24/227
2009/0008395	A1*	1/2009	Sattler	B01L 3/50855 220/507
2010/0083777	A1*	4/2010	Walter	G01N 35/00732 73/864.91
2013/0272931	A1*	10/2013	Chien	B01L 3/5085 422/547
2019/0086303	A1*	3/2019	Guo	B01L 9/52

OTHER PUBLICATIONS

Exclusive Dispensing Cassettes. Online, published date unknown.
Retrieved on Jul. 31, 2020 from URL: <https://steinle-labtec.com/index.php/multidrop-thermo-scientific/>.*

* cited by examiner

Primary Examiner — Susan Bennett Hattan

Assistant Examiner — Omeed Agilee

(74) *Attorney, Agent, or Firm* — Sughrue Mion, PLLC

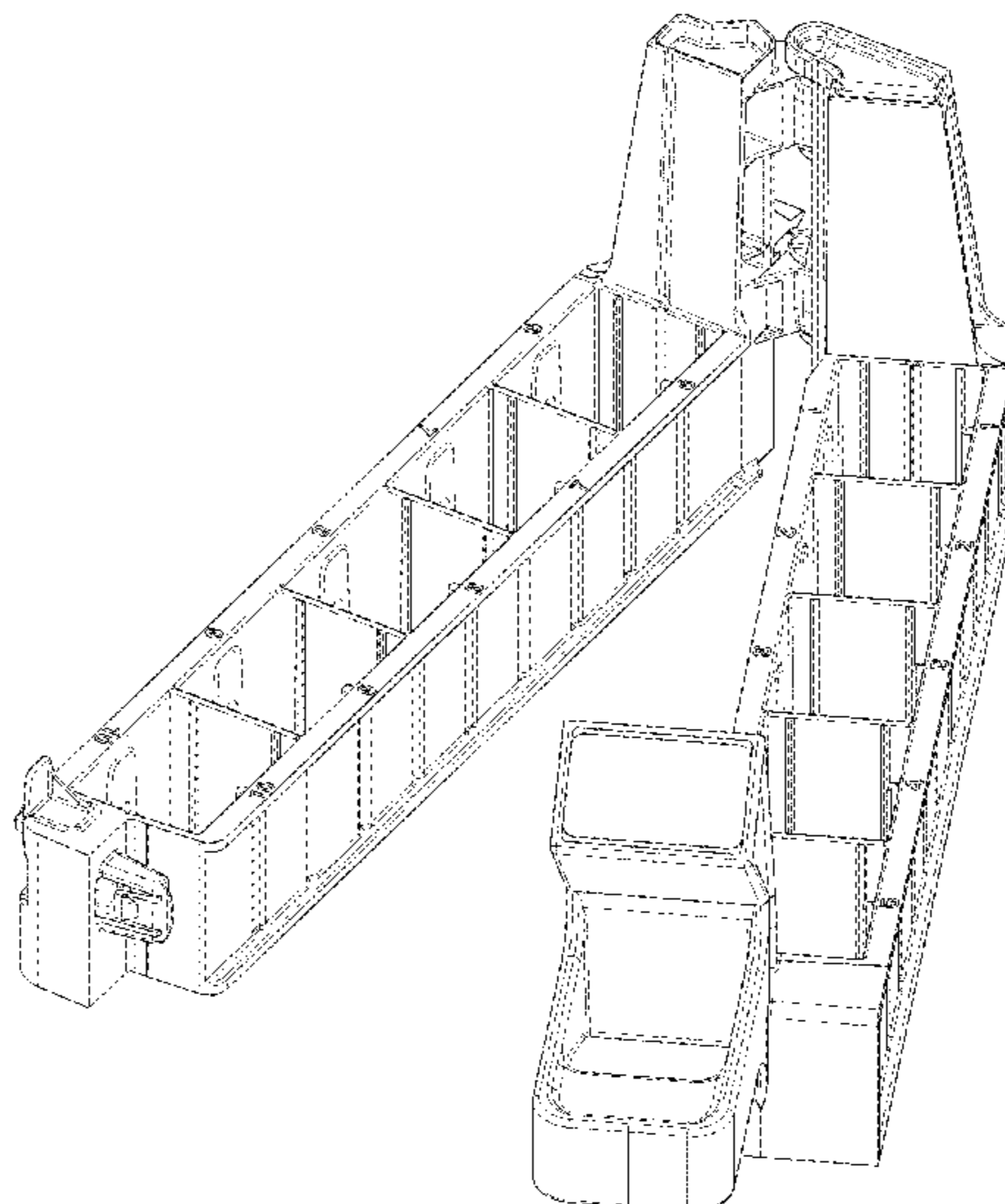
(57) **CLAIM**

The ornamental design for a reagent cassette, as shown and described.

DESCRIPTION

FIG. 1 is a perspective view of the front and right side of a reagent cassette in an open position showing our new design;
 FIG. 2 is a perspective view of the rear and left side thereof;
 FIG. 3 is a perspective view of the front and right side of the reagent cassette in a closed position;
 FIG. 4 is a perspective view of the rear and left side thereof;
 FIG. 5 is a top plan view thereof;
 FIG. 6 is a bottom plan view thereof;
 FIG. 7 is a left side elevational view thereof;
 FIG. 8 is a right side elevational view thereof;
 FIG. 9 is a rear elevational view thereof; and,
 FIG. 10 is a front elevational view thereof.
 The broken lines in the Figs. depict environmental subject matter and form no part of the claimed design.

1 Claim, 10 Drawing Sheets



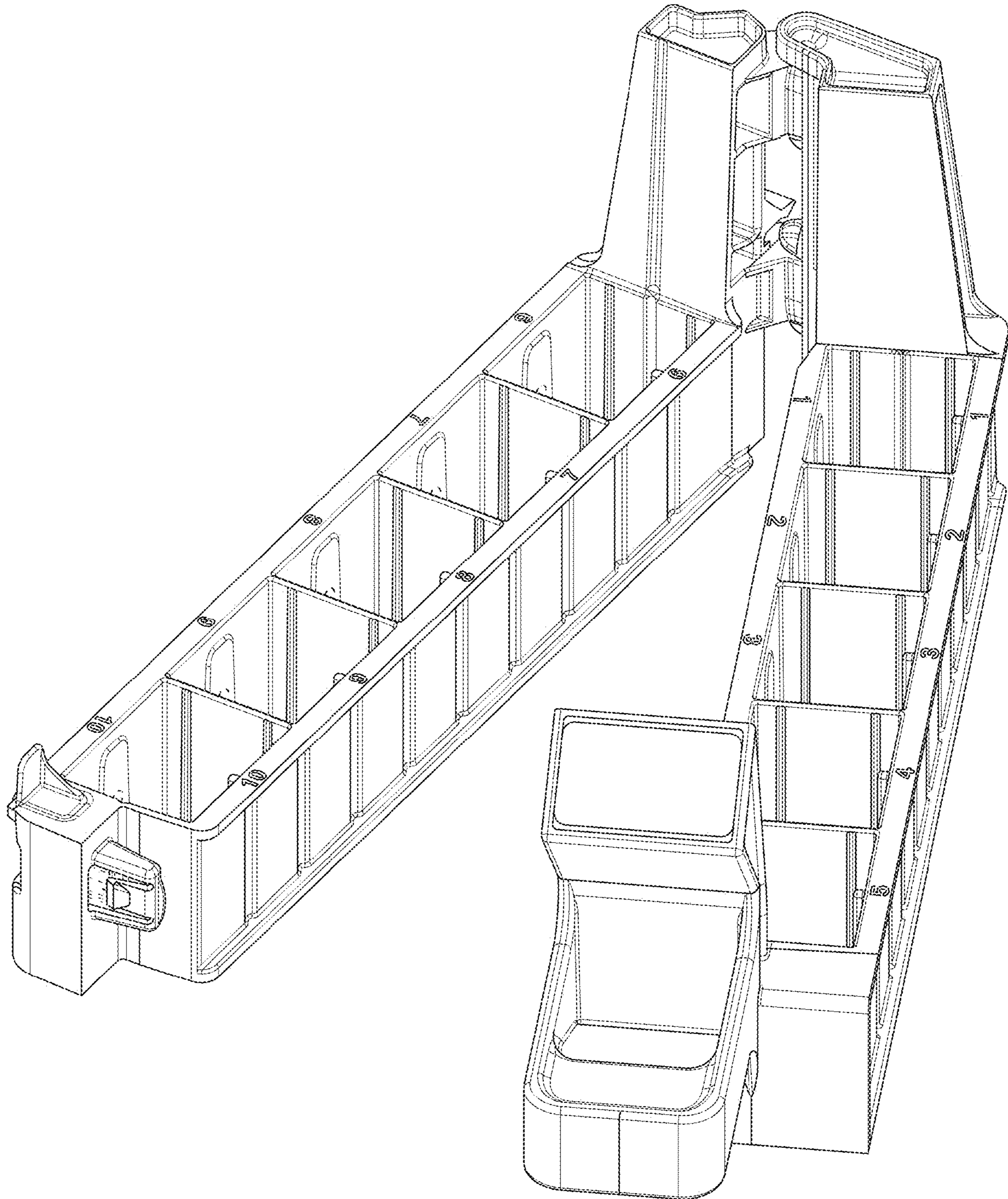


FIG. 1

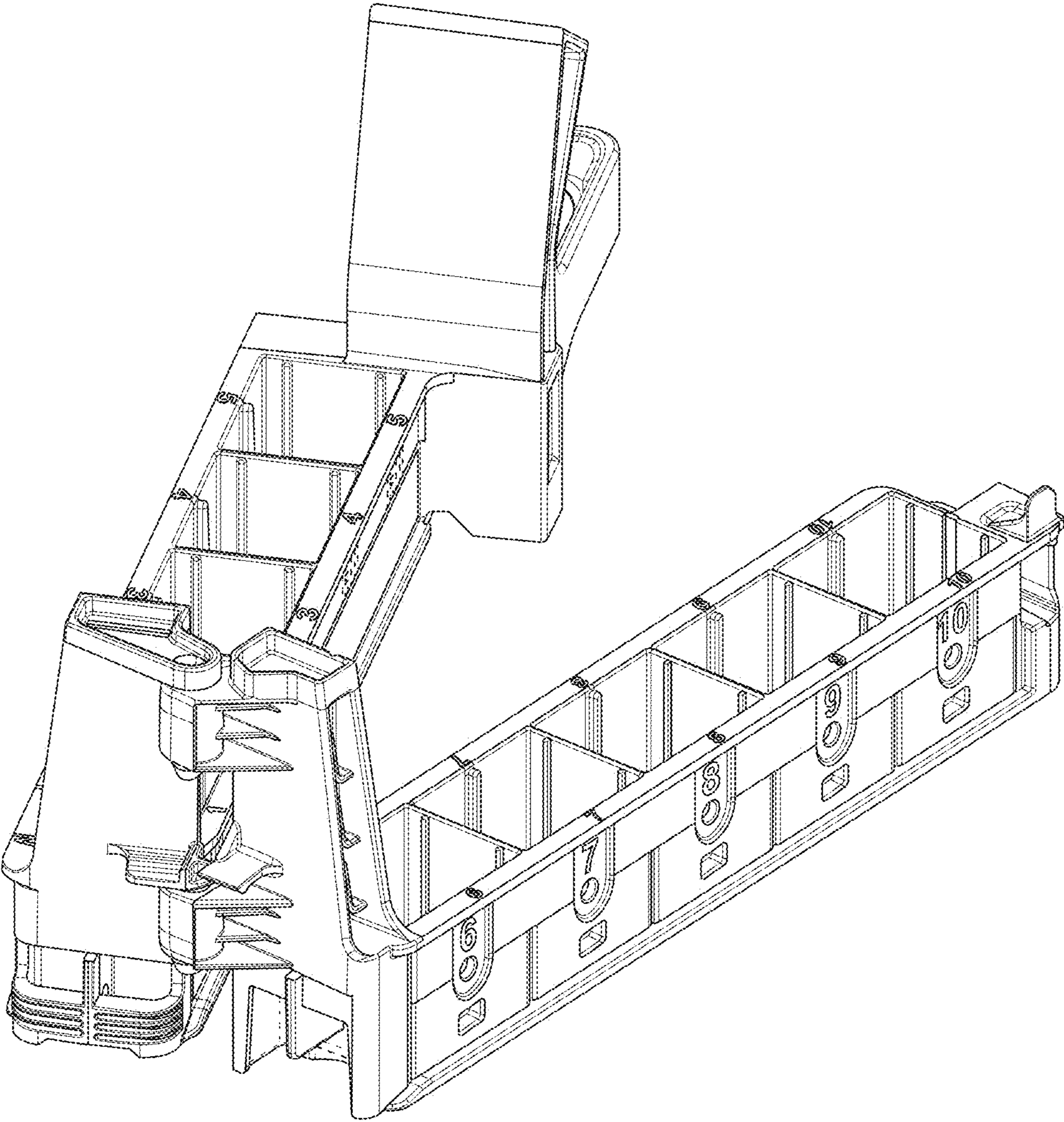


FIG. 2

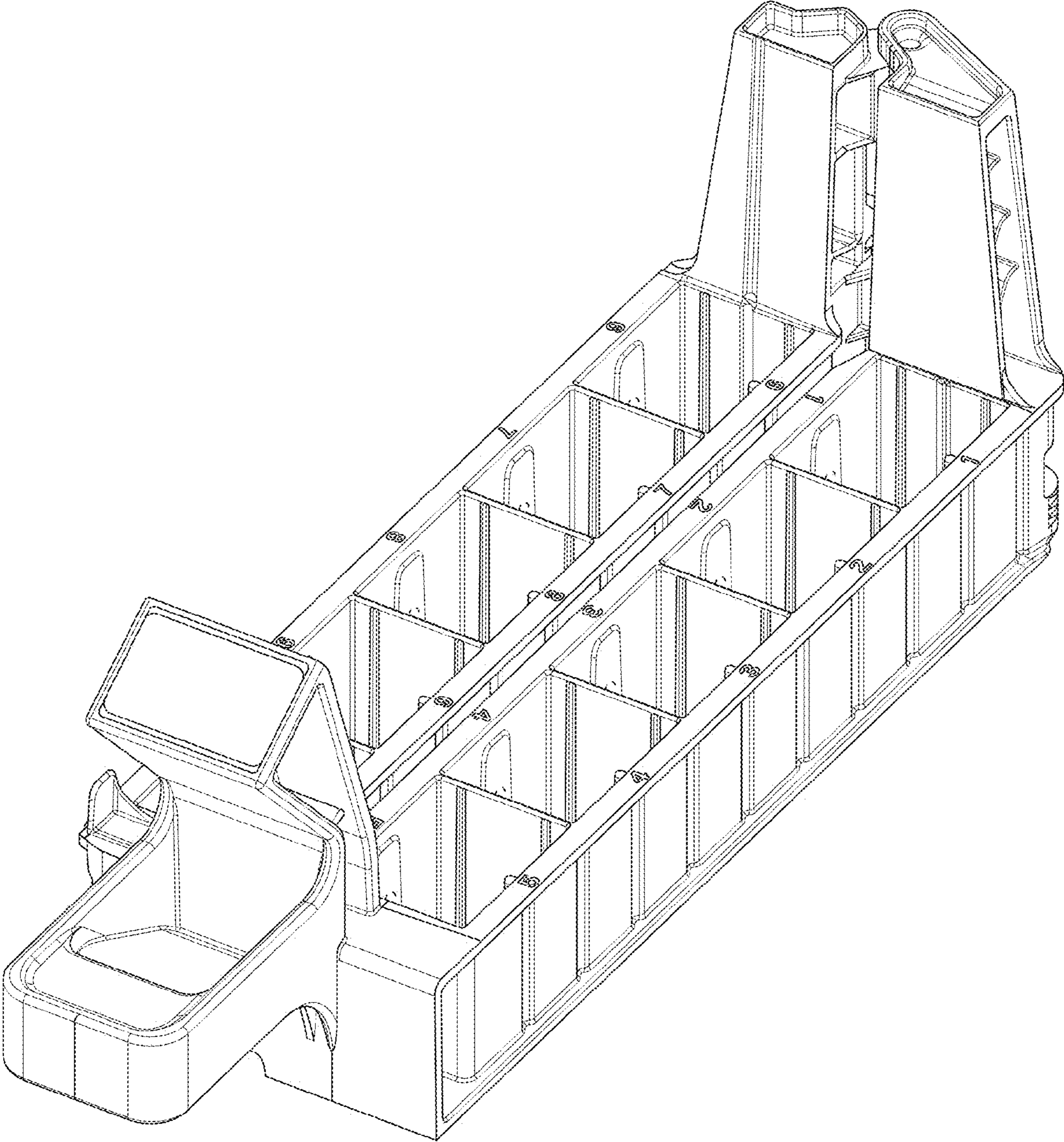


FIG. 3

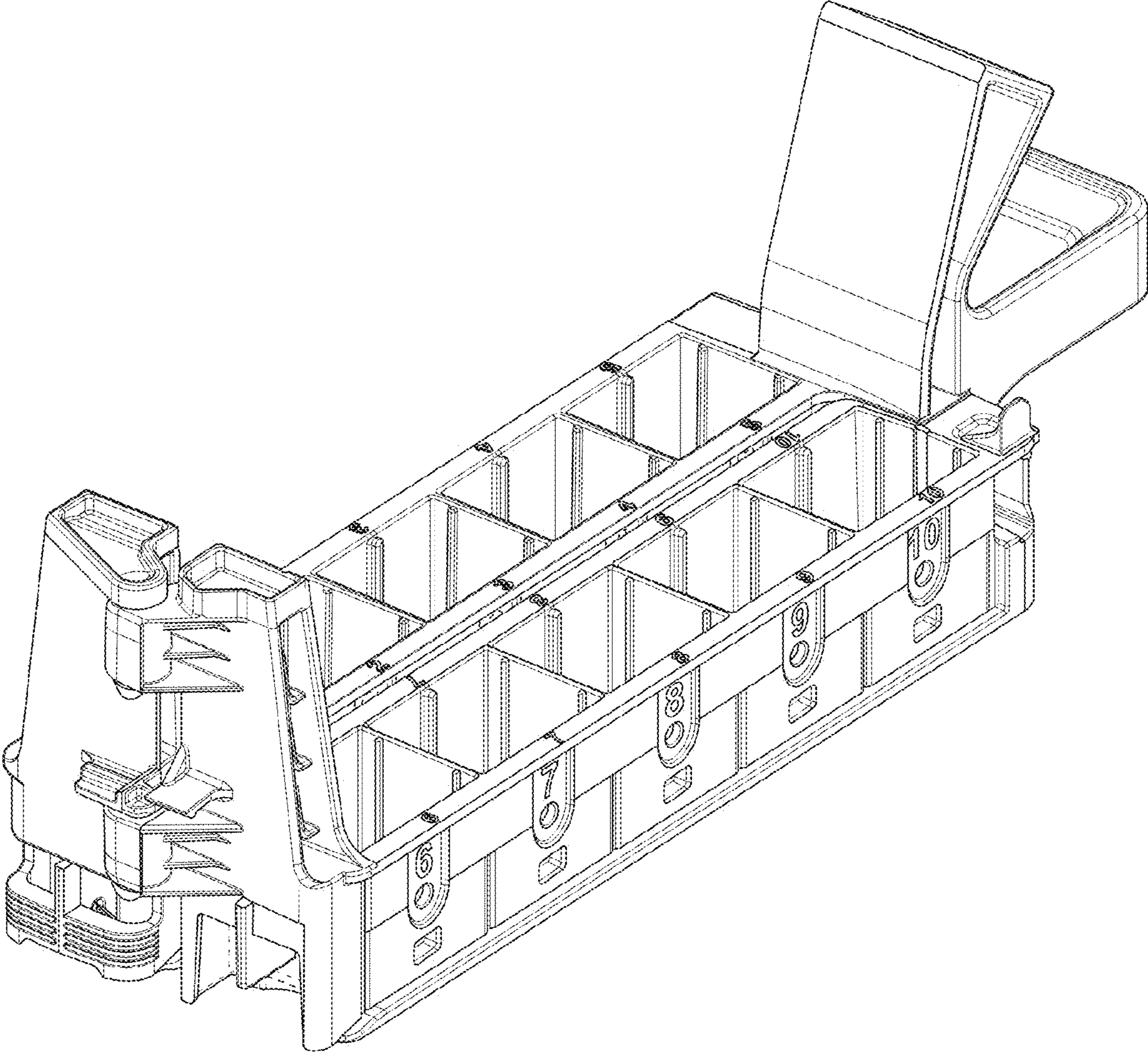


FIG. 4

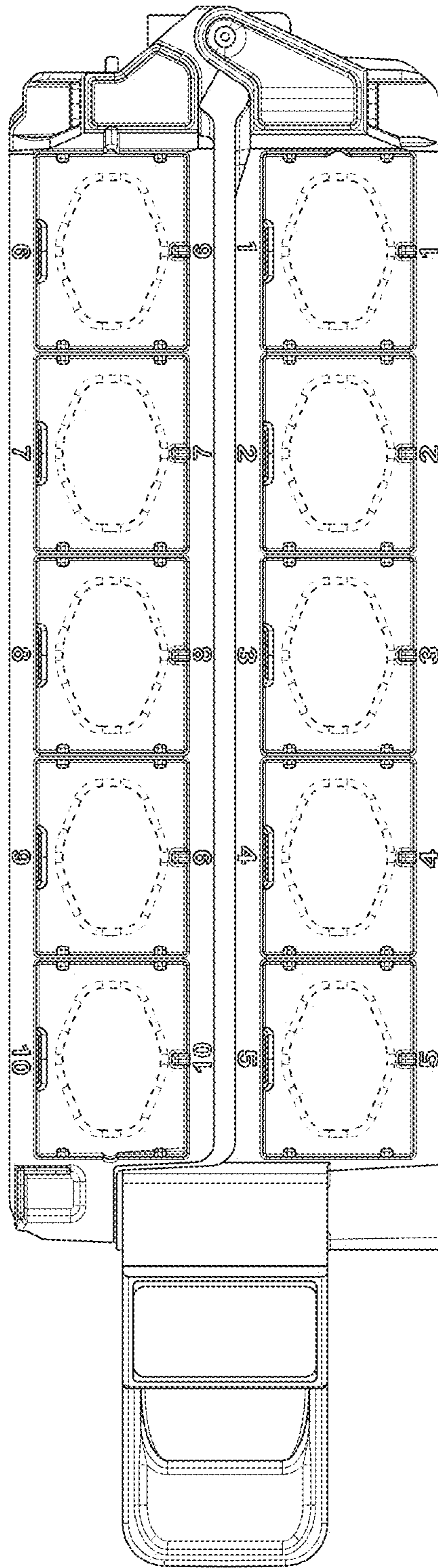


FIG. 5

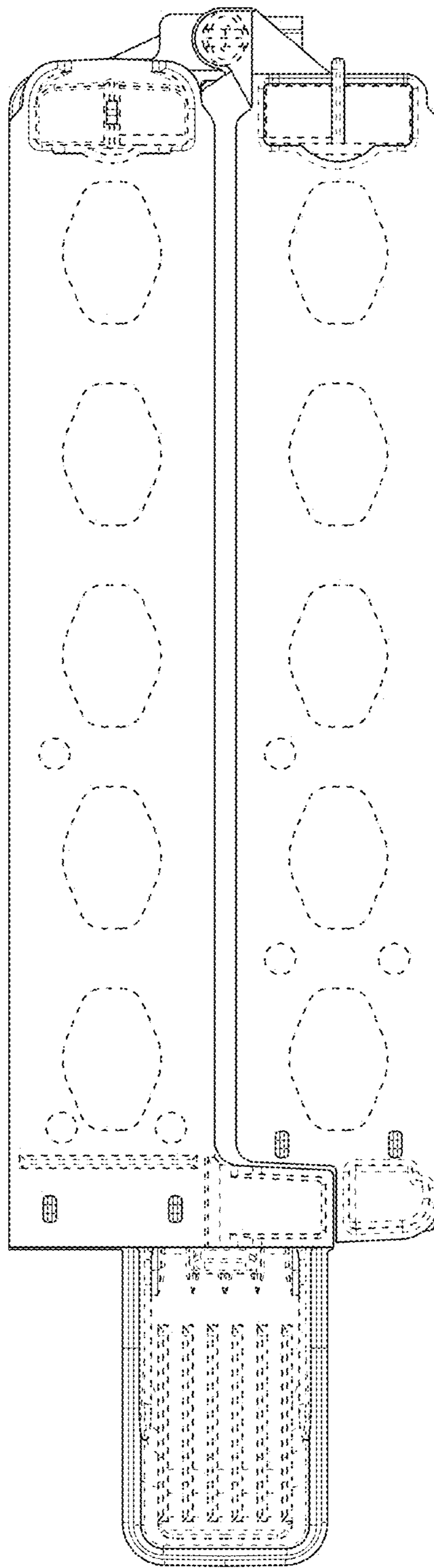


FIG. 6

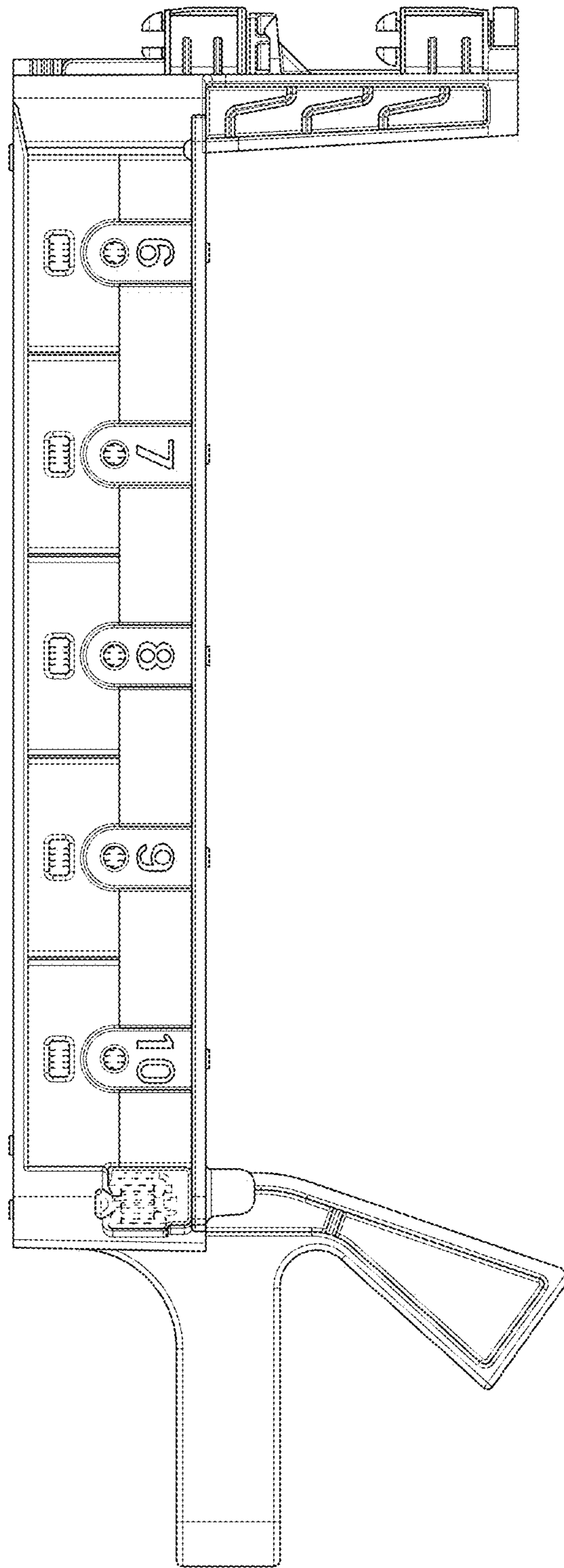


FIG. 7

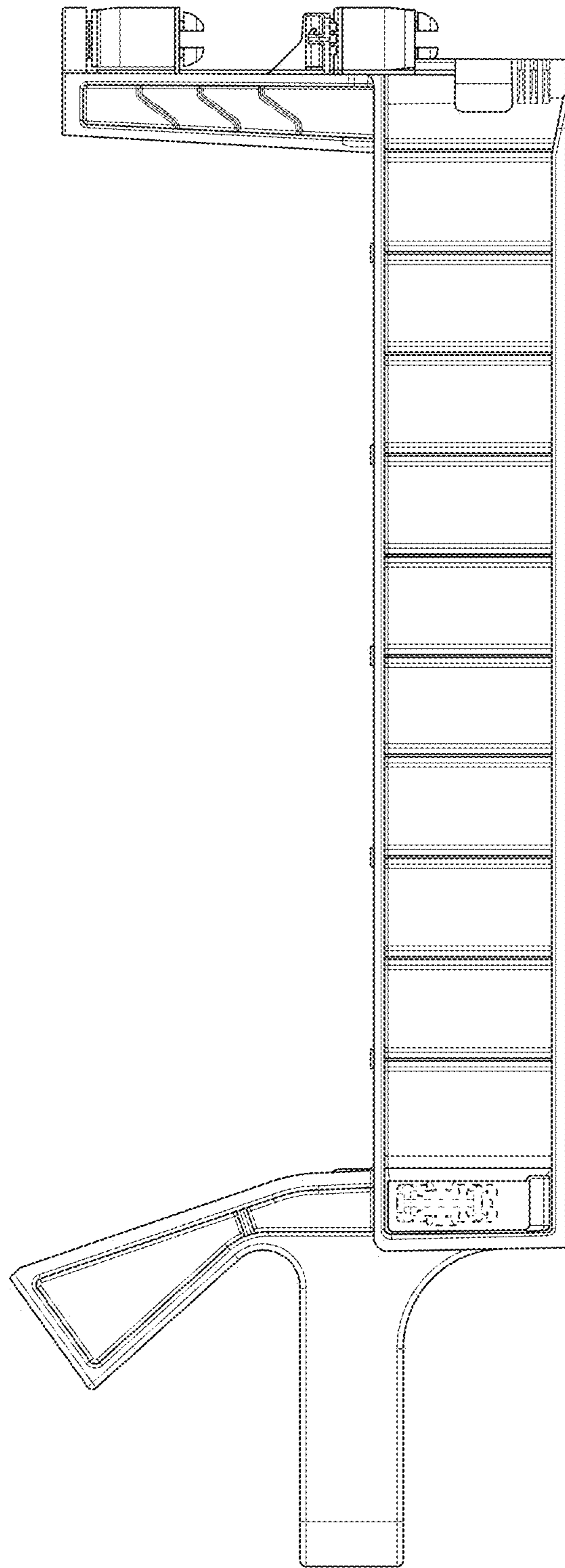


FIG. 8

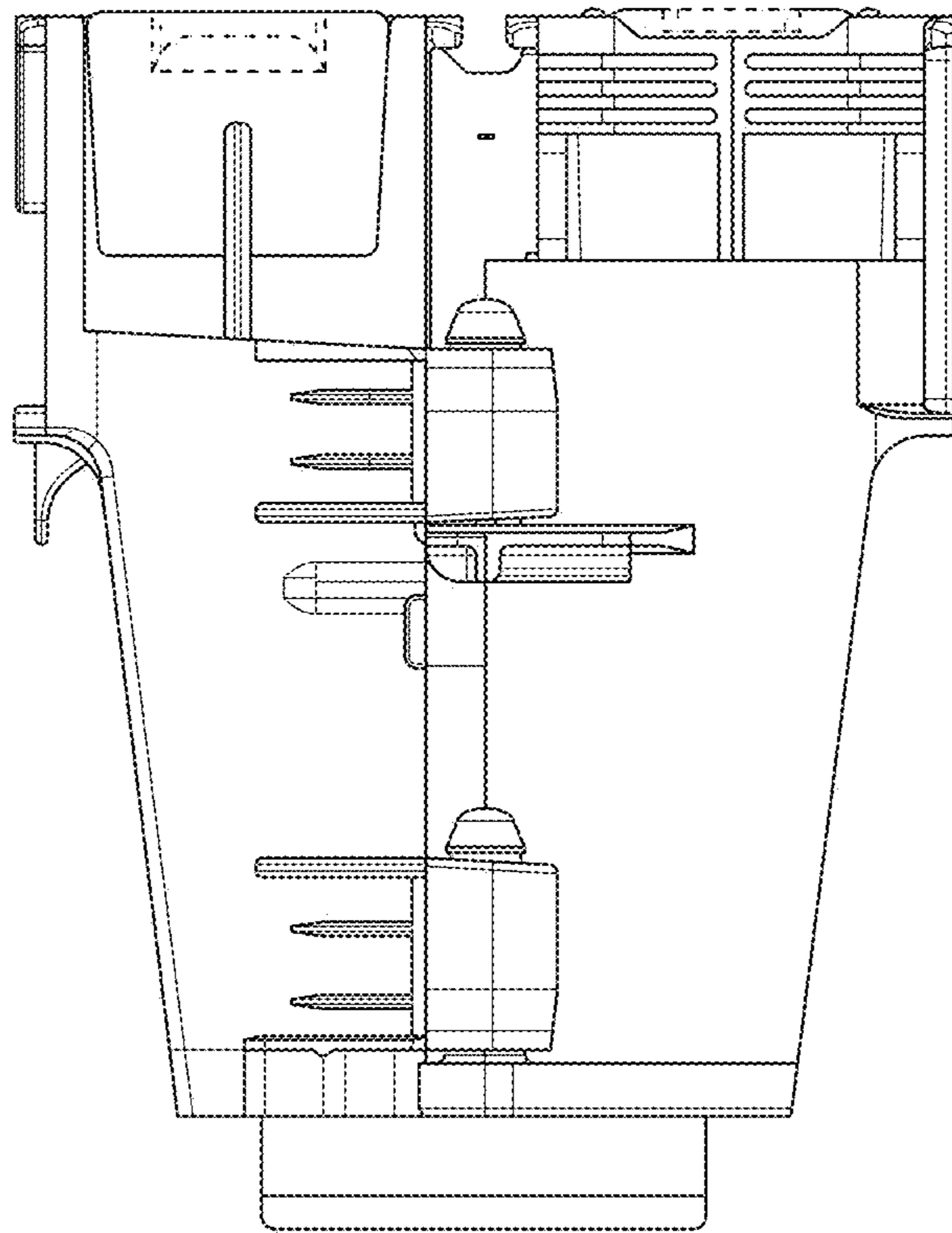


FIG. 9

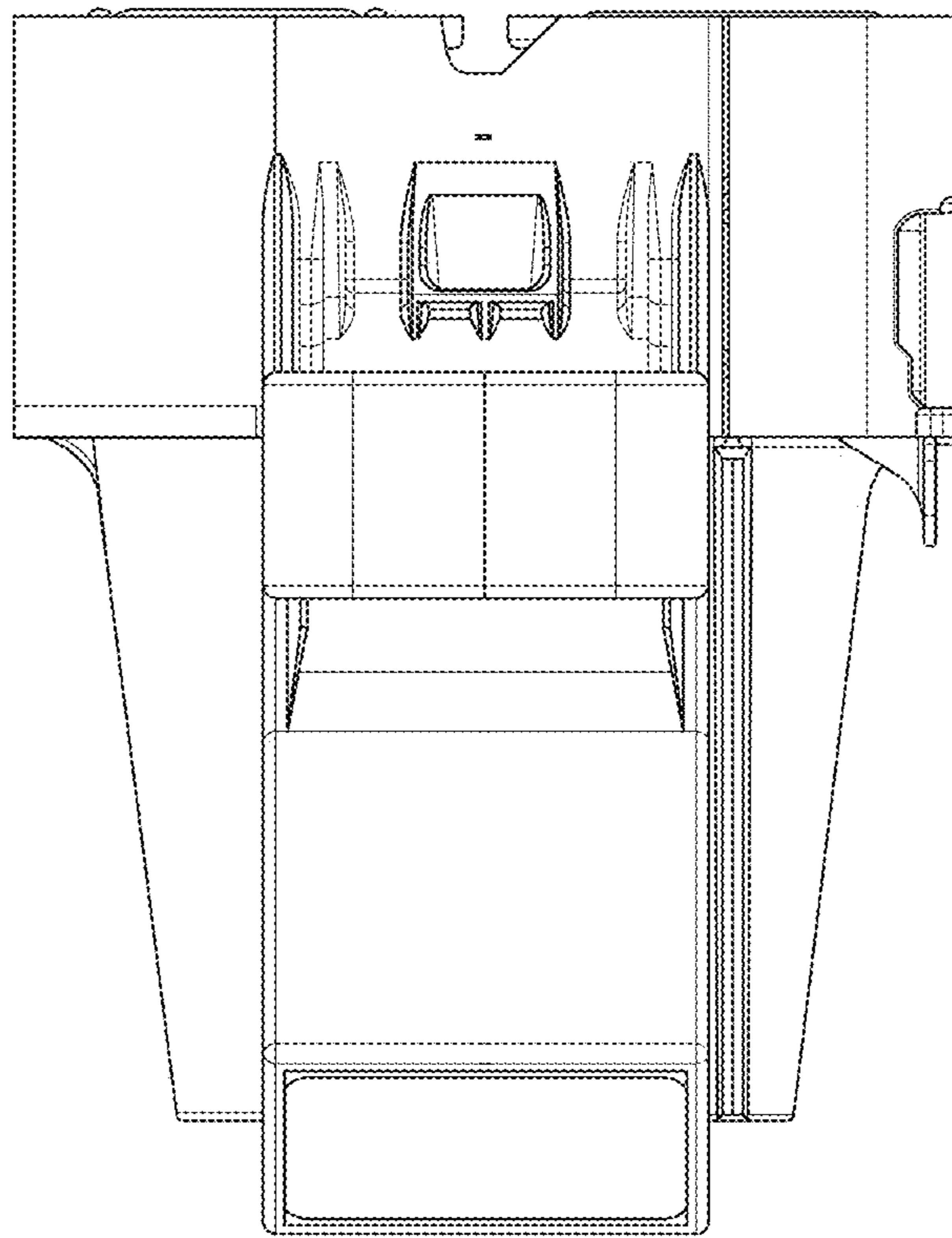


FIG. 10