



US00D933253S

(12) **United States Design Patent**
Ishizawa et al.

(10) **Patent No.:** **US D933,253 S**
(45) **Date of Patent:** **** Oct. 12, 2021**

(54) **FLOW CHANNEL PLATE OF A CARTRIDGE FOR MEDICAL TESTING EQUIPMENT**

(71) Applicant: **Nikon Corporation**, Tokyo (JP)

(72) Inventors: **Naoya Ishizawa**, Saitama (JP); **Taro Ueno**, Tokyo (JP); **Ryo Kobayashi**, Kawasaki (JP)

(73) Assignee: **Nikon Corporation**, Tokyo (JP)

(**) Term: **15 Years**

(21) Appl. No.: **29/664,120**

(22) Filed: **Sep. 21, 2018**

(30) **Foreign Application Priority Data**

Mar. 22, 2018 (JP) 2018-006010
Mar. 22, 2018 (JP) 2018-006012
Mar. 22, 2018 (JP) 2018-006013

(51) **LOC (13) Cl.** **24-02**

(52) **U.S. Cl.**
USPC **D24/226**

(58) **Field of Classification Search**
USPC D24/107, 186, 216, 223-232; D10/81
(Continued)

(56) **References Cited**

U.S. PATENT DOCUMENTS

D530,021 S * 10/2006 Muraca D24/226
D732,186 S * 6/2015 Burroughs D24/226
(Continued)

FOREIGN PATENT DOCUMENTS

KR 3020150051181 * 10/2015

OTHER PUBLICATIONS

Multi-Site Cartridge Carriers. Online, published date unknown. Retrieved on Jan. 12, 2020 from URL: <https://www.testfixtures.com/cartridge-carrier-prototyping-test-sockets>.*

Primary Examiner — Susan Bennett Hattan

Assistant Examiner — Omeed Agilee

(74) *Attorney, Agent, or Firm* — Wolf, Greenfield & Sacks, P.C.

(57) **CLAIM**

The ornamental design for a flow channel plate of a cartridge for medical testing equipment, as shown and described.

DESCRIPTION

FIG. 1 is a front view of a first embodiment of a flow channel plate of a cartridge for medical testing equipment showing our new design;

FIG. 2 is a top plan view thereof;

FIG. 3 is a right side view thereof;

FIG. 4 is an enlarged view of the portion defined by crop lines 4-4 in FIG. 1;

FIG. 5 is another enlarged view similar to FIG. 4 in which section lines 6-6 are shown;

FIG. 6 is a cross-sectional view thereof taken along lines 6-6 in FIG. 5;

FIG. 7 is a front view of a second embodiment of a flow channel plate of a cartridge for medical testing equipment showing our new design;

FIG. 8 is a top plan view thereof;

FIG. 9 is a right side view thereof;

FIG. 10 is an enlarged view of the portion defined by crop lines 10-10 in FIG. 7;

FIG. 11 is another enlarged view similar to FIG. 10 in which section lines 12-12 are shown;

FIG. 12 is a cross-sectional view thereof taken along lines 12-12 in FIG. 11;

FIG. 13 is a front view of a third embodiment of a flow channel plate of a cartridge for medical testing equipment showing our new design;

FIG. 14 is a top plan view thereof;

FIG. 15 is a right side view thereof;

FIG. 16 is an enlarged view of the portion defined by crop lines 16-16 in FIG. 13;

(Continued)

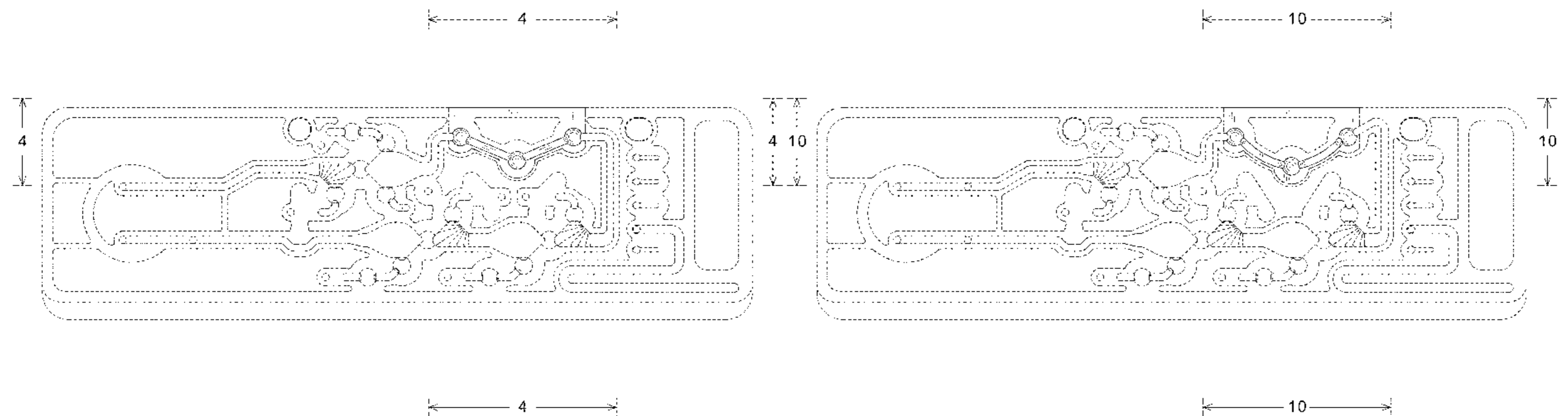


FIG. 17 is another enlarged view similar to FIG. 16 in which section lines 18-18 are shown; and,

FIG. 18 is a cross-sectional view thereof taken along lines 18-18 in FIG. 17.

The broken lines illustrate portions of the flow channel plate of a cartridge for medical testing equipment and form no part of the claimed design. The dash-dotted lines denote the boundary of the claim and form no part of the claimed design. The dashed double-dotted lines in FIGS. 5, 11, and 17 denote the cross-section lines.

1 Claim, 12 Drawing Sheets

(58) **Field of Classification Search**

CPC B01L 3/50; B01L 3/545
See application file for complete search history.

(56) **References Cited**

U.S. PATENT DOCUMENTS

D767,782 S *	9/2016	Cao	D24/216
D785,811 S *	5/2017	Watts	D24/224
D794,817 S *	8/2017	Yi	D24/224
D803,416 S *	11/2017	Leaver	D24/224
D812,242 S *	3/2018	Chang	D24/224
D812,766 S *	3/2018	Levner	D24/224
D814,654 S *	4/2018	Daines	D24/230
D816,861 S *	5/2018	Levner	D24/224
D843,009 S *	3/2019	Watts	D24/224
D851,275 S *	6/2019	Spuhler	D24/225

* cited by examiner

FIG.1

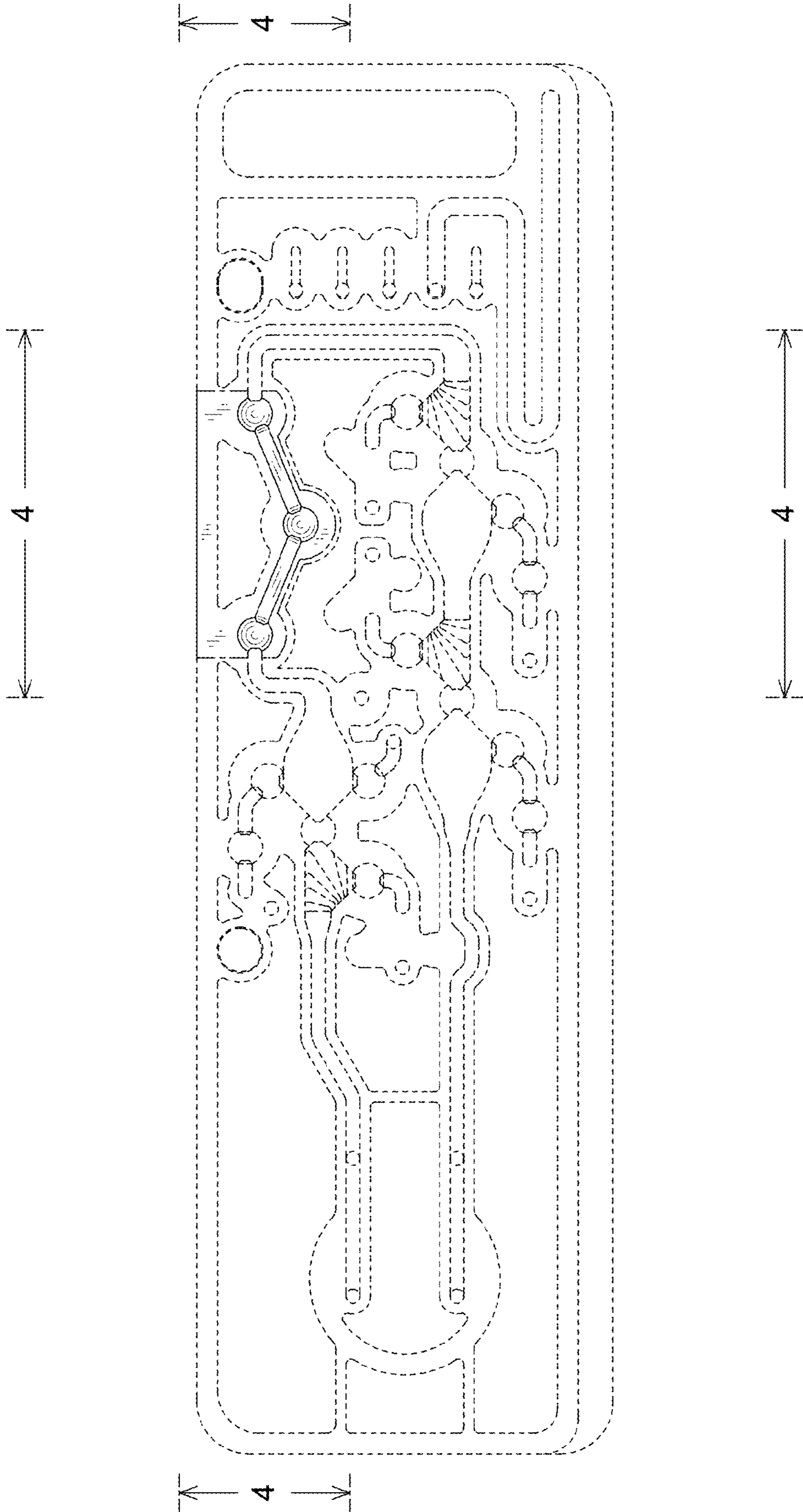


FIG.2

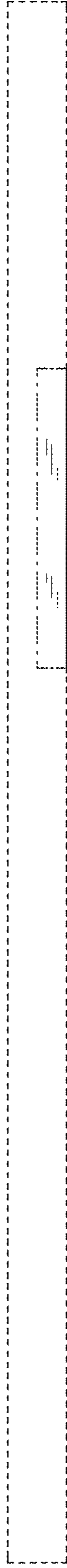


FIG.3



FIG.4

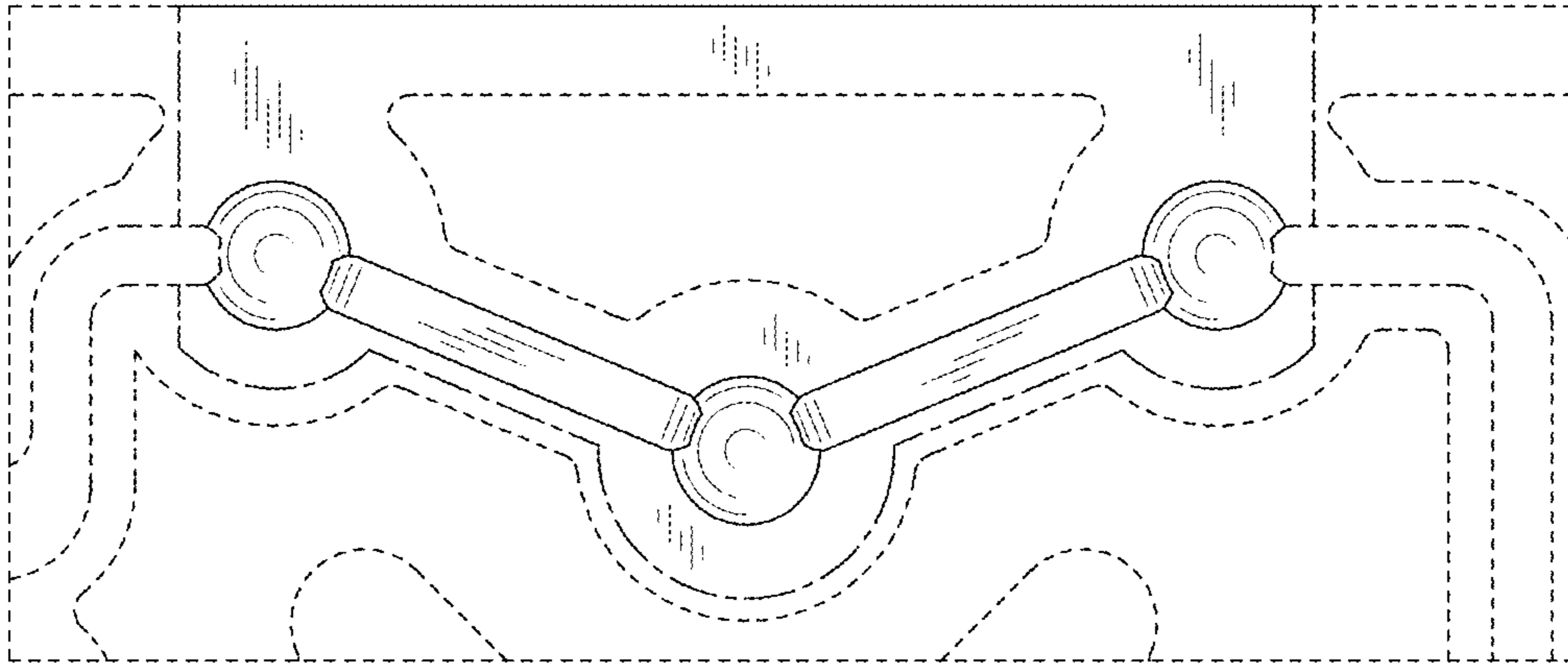


FIG.5

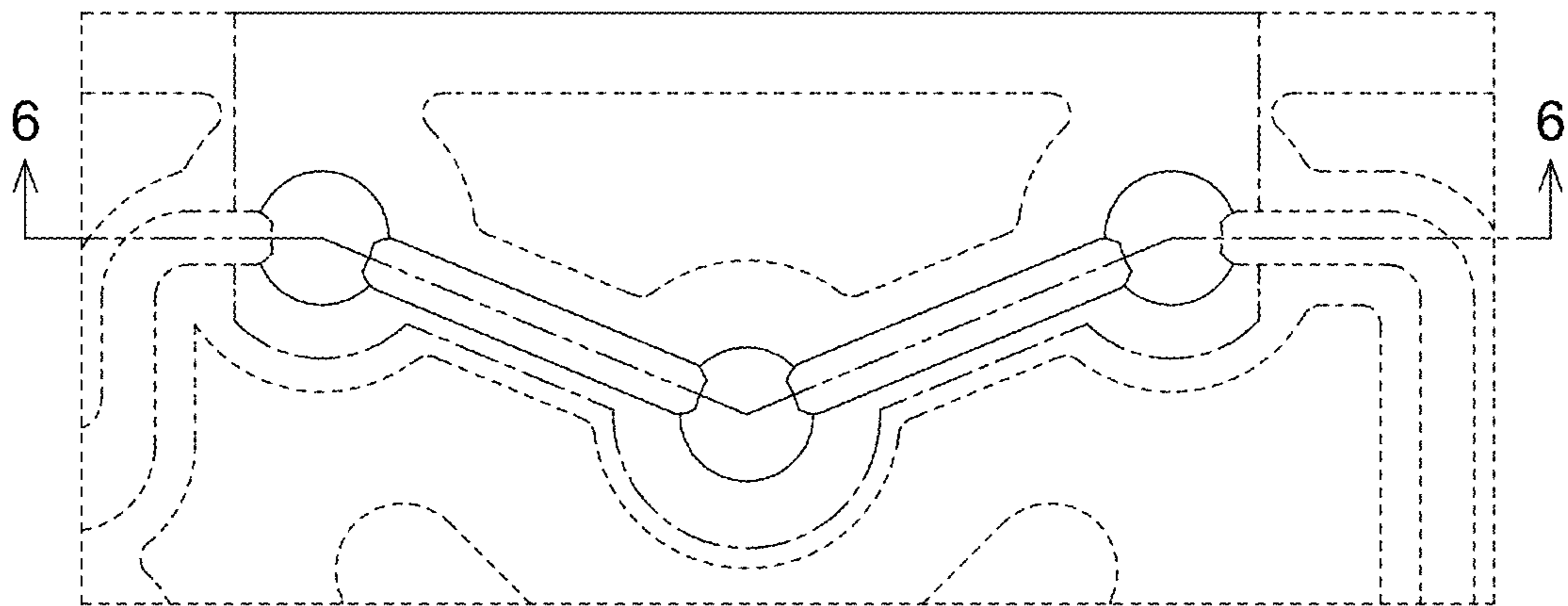


FIG.6

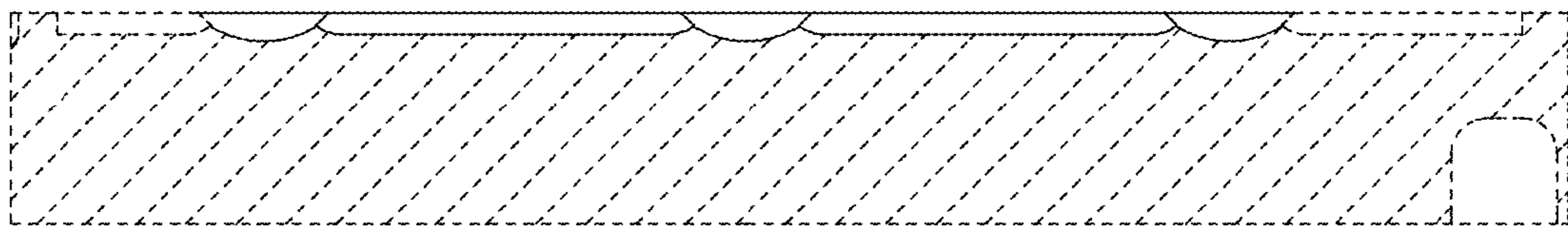


FIG.7

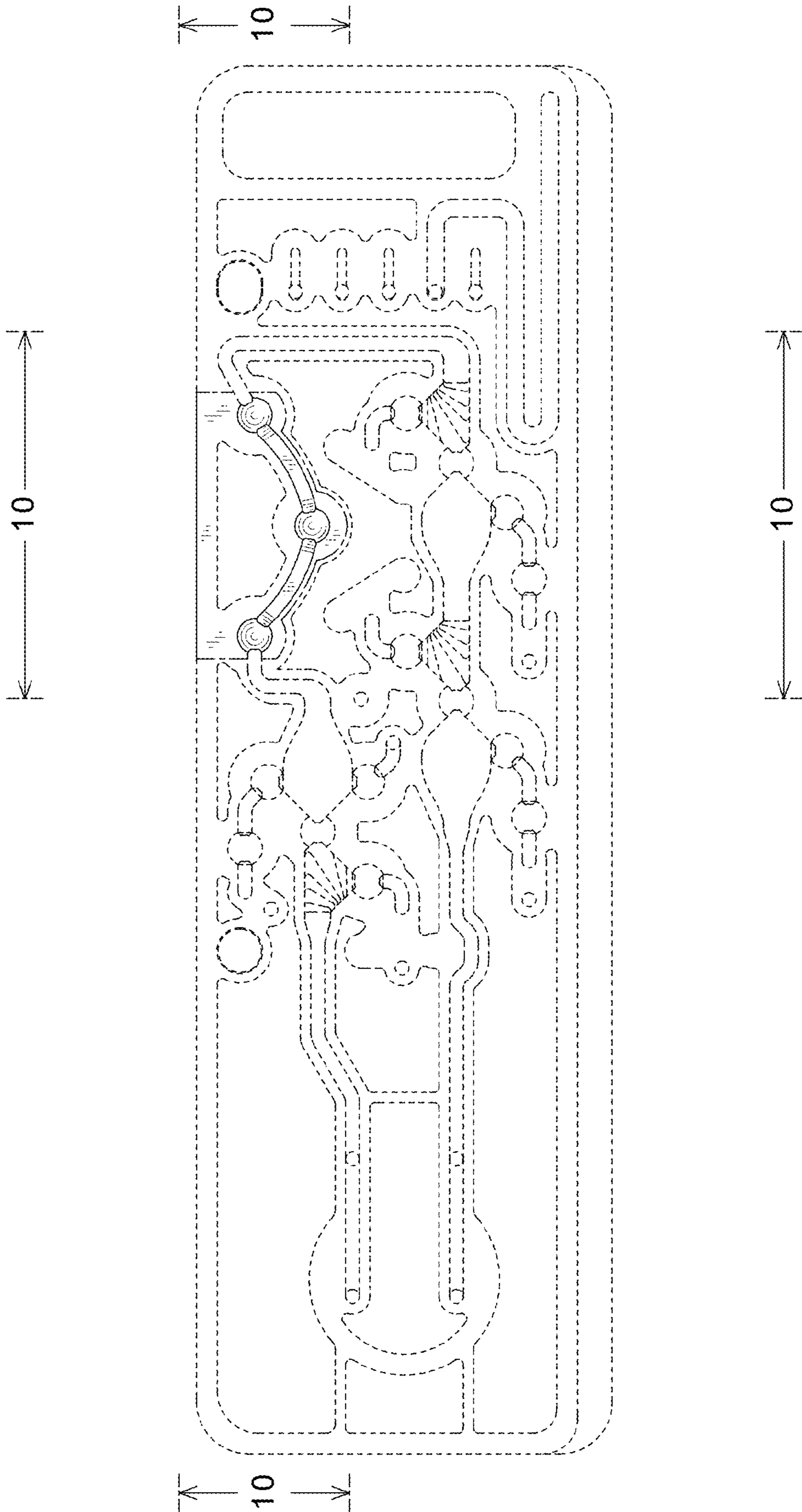


FIG.8

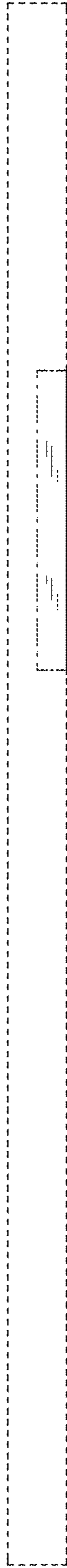


FIG.9



FIG.10

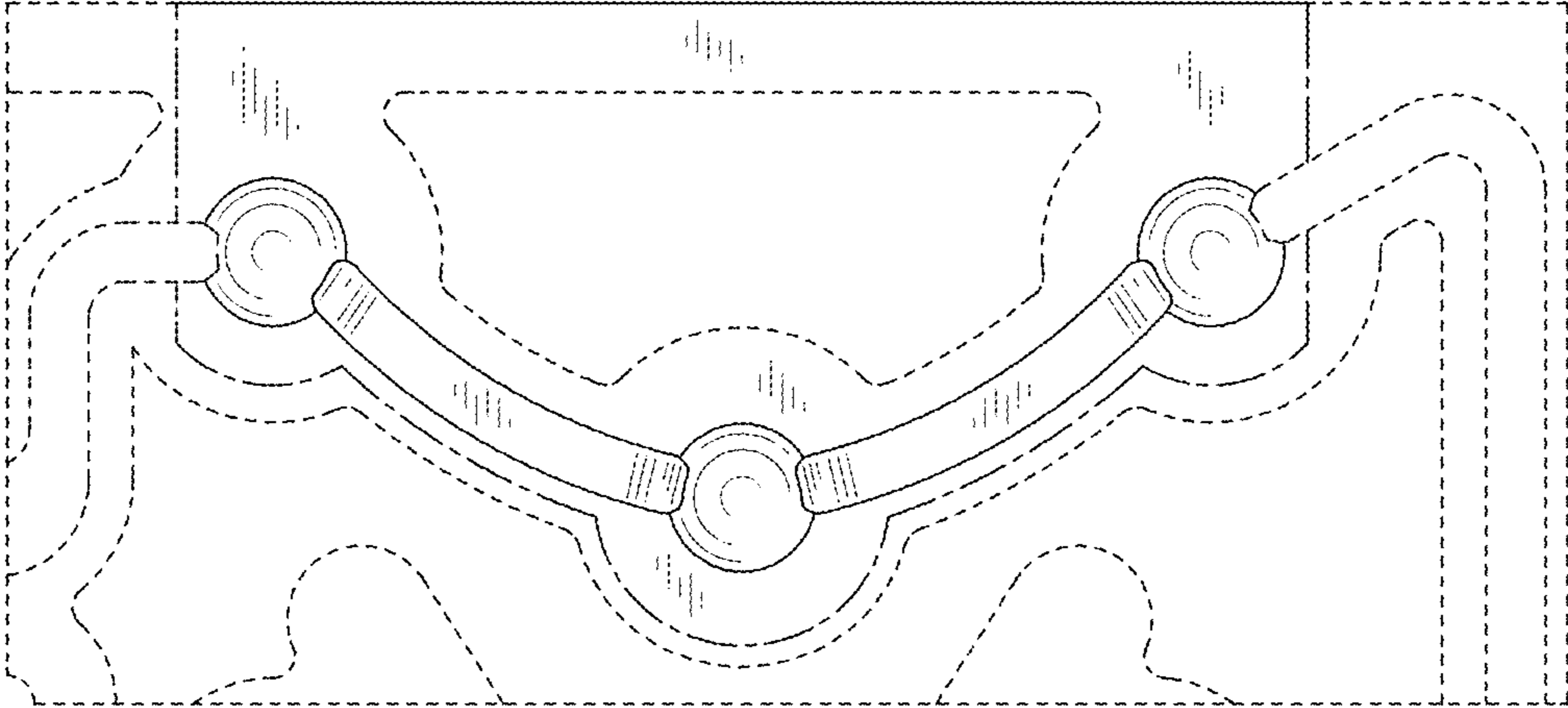


FIG.11

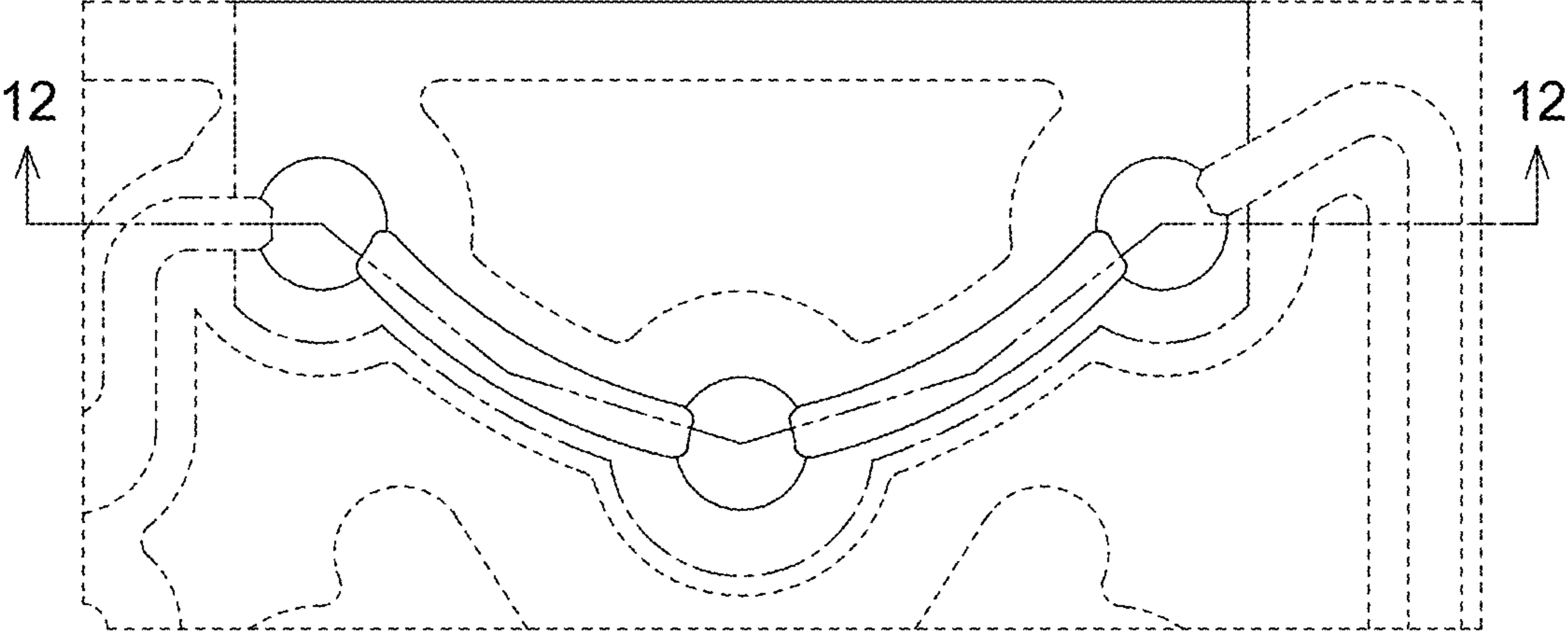


FIG.12

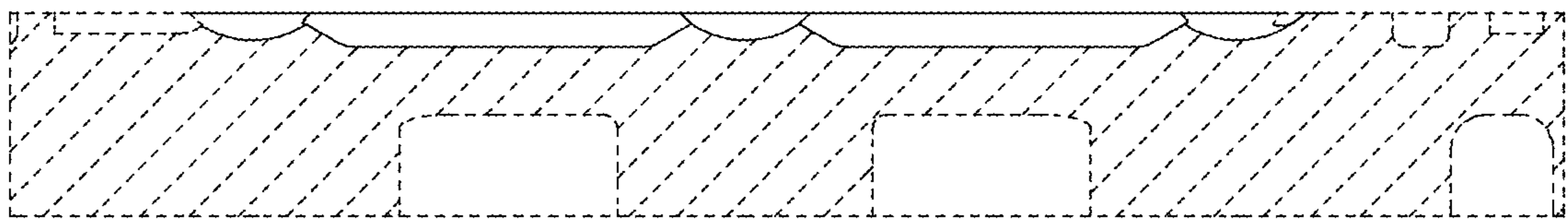


FIG.13

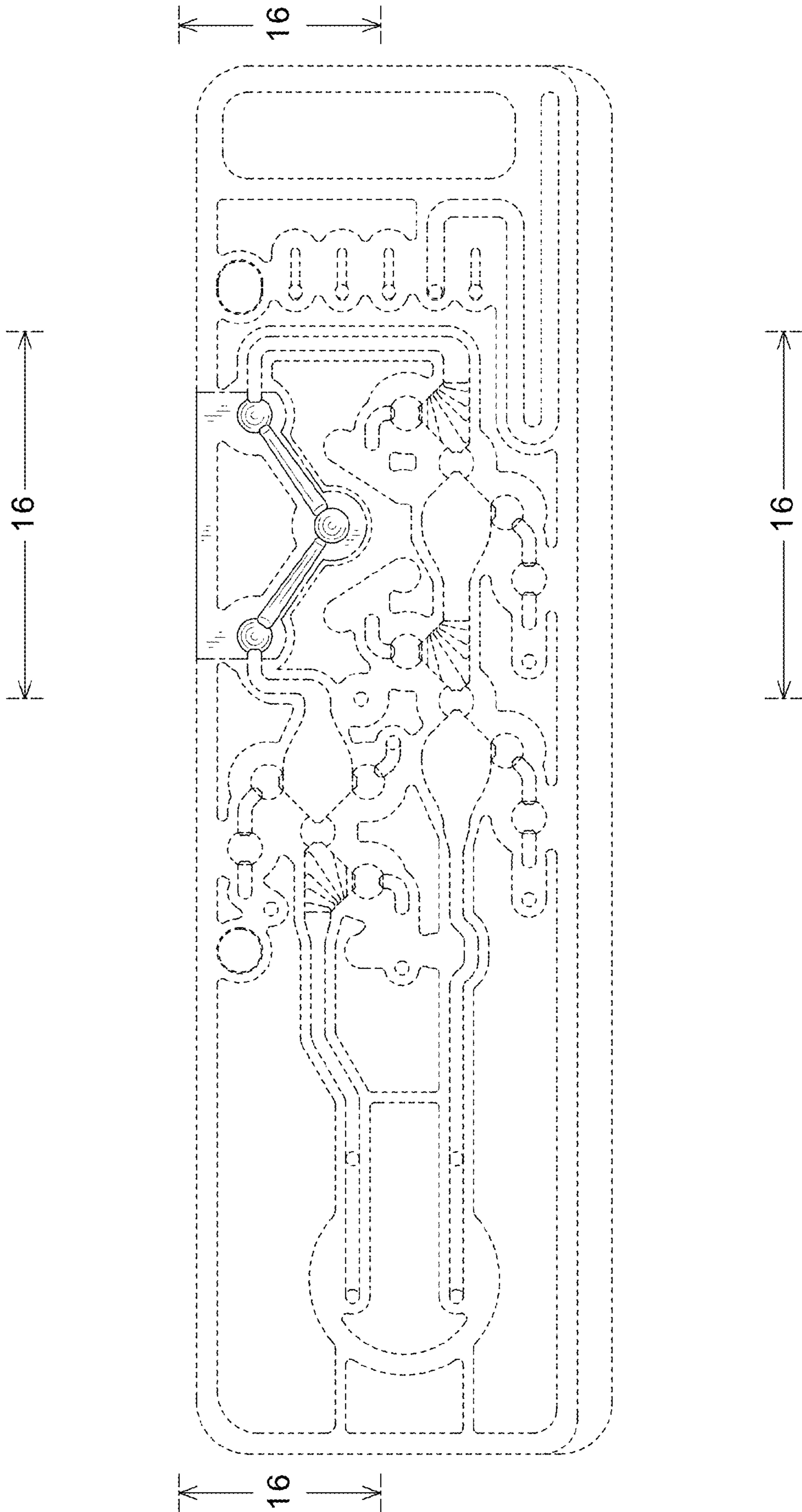


FIG.14

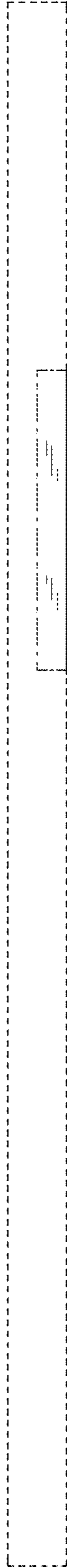


FIG.15



FIG.16

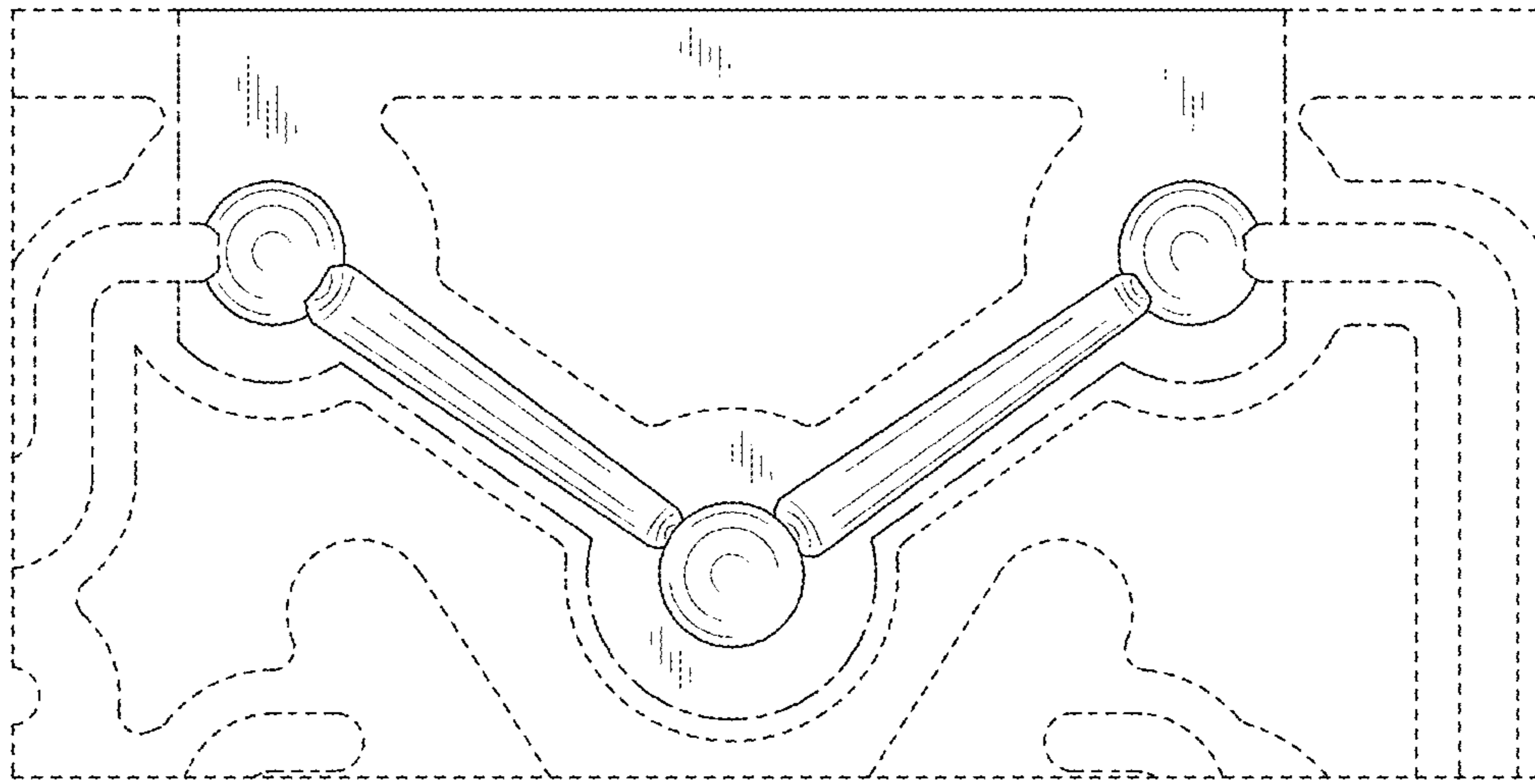


FIG.17

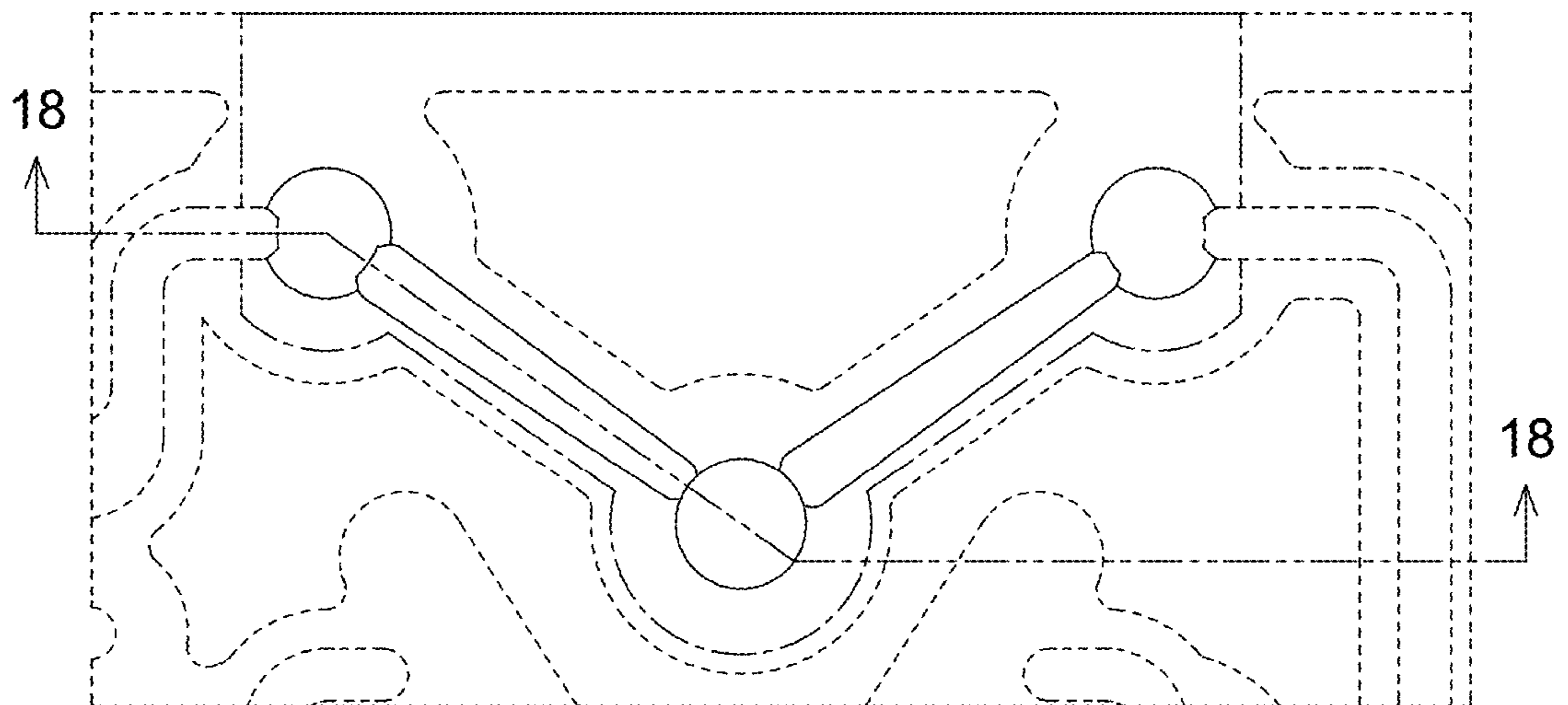


FIG.18

