



US00D933248S

(12) **United States Design Patent**
Liu

(10) **Patent No.:** **US D933,248 S**

(45) **Date of Patent:** **** Oct. 12, 2021**

- (54) **PARAFFIN WAX WARMER**
- (71) Applicant: **Guangzhou Fourto Sanitary Products Co., LTD, Guangdong (CN)**
- (72) Inventor: **Ziyi Liu, Guangdong (CN)**
- (73) Assignee: **Guangzhou Fourto Sanitary Products Co., LTD, Guangzhou (CN)**
- (**) Term: **15 Years**

D442,284 S *	5/2001	Ferber	D24/200
6,303,910 B2 *	10/2001	Glucksman	A61H 33/04 219/430
D479,951 S *	9/2003	Segura	D7/608
6,756,567 B1 *	6/2004	Suen	F27B 17/00 219/424
D661,160 S *	6/2012	Shah	D7/538
D838,859 S *	1/2019	Yu	D24/200
D909,592 S *	2/2021	Li	D24/200
D914,223 S *	3/2021	Wang	D24/200
D914,224 S *	3/2021	Wang	D24/200
D917,710 S *	4/2021	Li	D24/200

- (21) Appl. No.: **29/746,472**
- (22) Filed: **Aug. 13, 2020**
- (51) **LOC (13) Cl.** **28-03**
- (52) **U.S. Cl.**
USPC **D24/200**
- (58) **Field of Classification Search**
USPC D24/200, 121, 204; D7/323, 354, 391,
D7/538, 629; D9/435, 503, 424, 428,
D9/780
CPC A61F 7/00; A61F 7/007; A61F 7/0085;
A61F 2007/0001; A61F 2007/0003; A61F
2007/0004; A61F 2007/0024; A61F
2007/0029; A61F 2007/0031; A61F
2007/0034; A61F 2007/0039; A61F
2007/0041; A61F 2007/0043; A61F
2007/0219; A47J 36/06; A61L 9/03;
A61L 9/12; F27B 14/12; H05B 3/00;
H05B 3/0052; H05B 3/26; A61H 33/04;
A61H 2033/047
See application file for complete search history.

FOREIGN PATENT DOCUMENTS

GB 6113679 * 1/2021

* cited by examiner

Primary Examiner — Wan Laymon

(57) **CLAIM**

The ornamental design for a paraffin wax warmer, as shown and described.

DESCRIPTION

FIG. 1 is a top, front and left side perspective view of a paraffin wax warmer showing my new design;
 FIG. 2 is a top, front and right side perspective view thereof;
 FIG. 3 is a bottom, rear and left side perspective view thereof;
 FIG. 4 is a top plan view thereof;
 FIG. 5 is a bottom plan view thereof;
 FIG. 6 is a front elevational view thereof;
 FIG. 7 is a rear elevational view thereof;
 FIG. 8 is a right side view thereof; and,
 FIG. 9 is a left side view thereof.

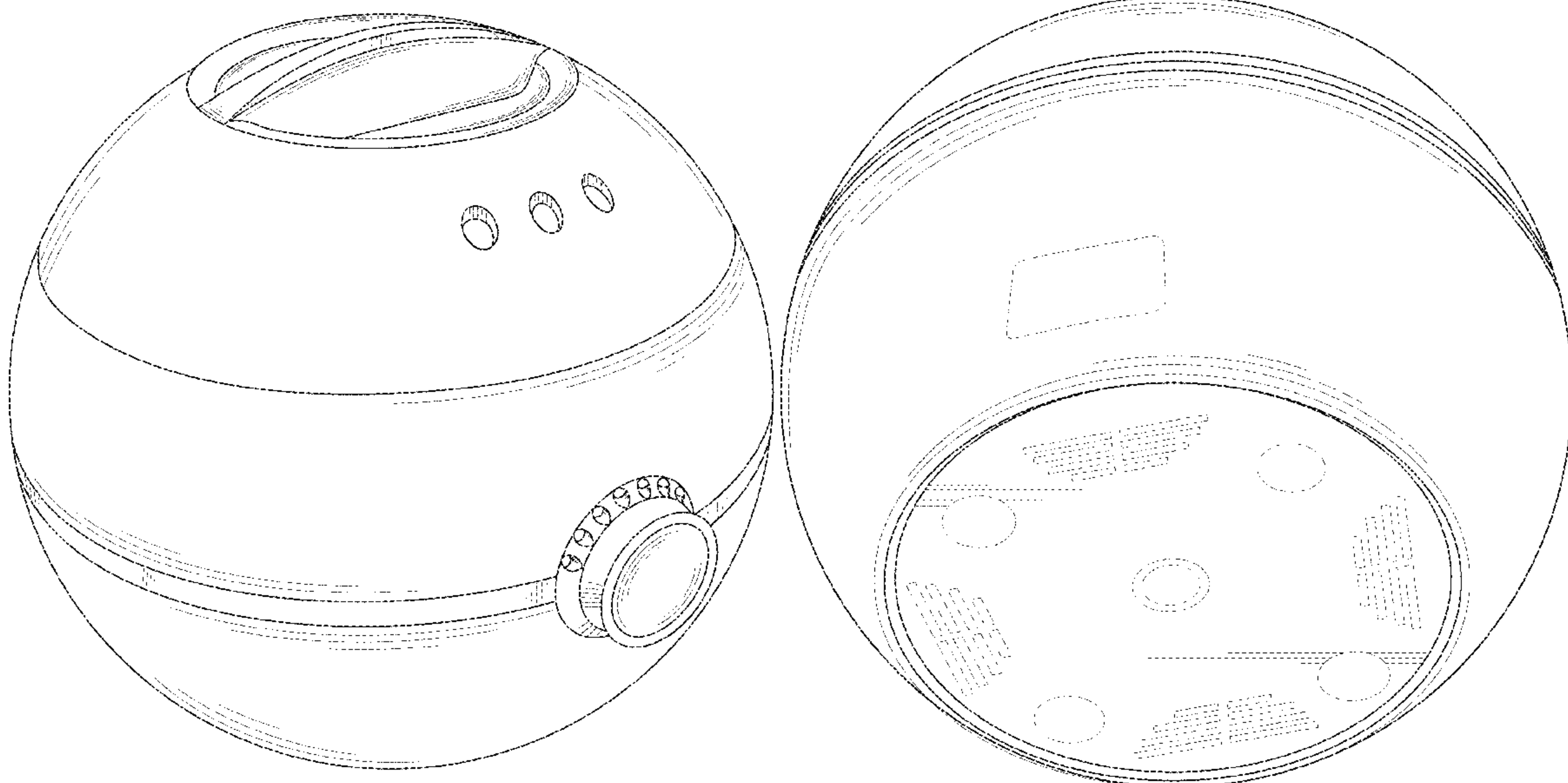
The broken lines in the drawings illustrate portions of the paraffin wax warmer which form no part of the claimed design.

(56) **References Cited**

U.S. PATENT DOCUMENTS

6,184,500 B1 *	2/2001	Glucksman	A61H 33/04 219/430
D441,455 S *	5/2001	Feer	D24/200

1 Claim, 9 Drawing Sheets



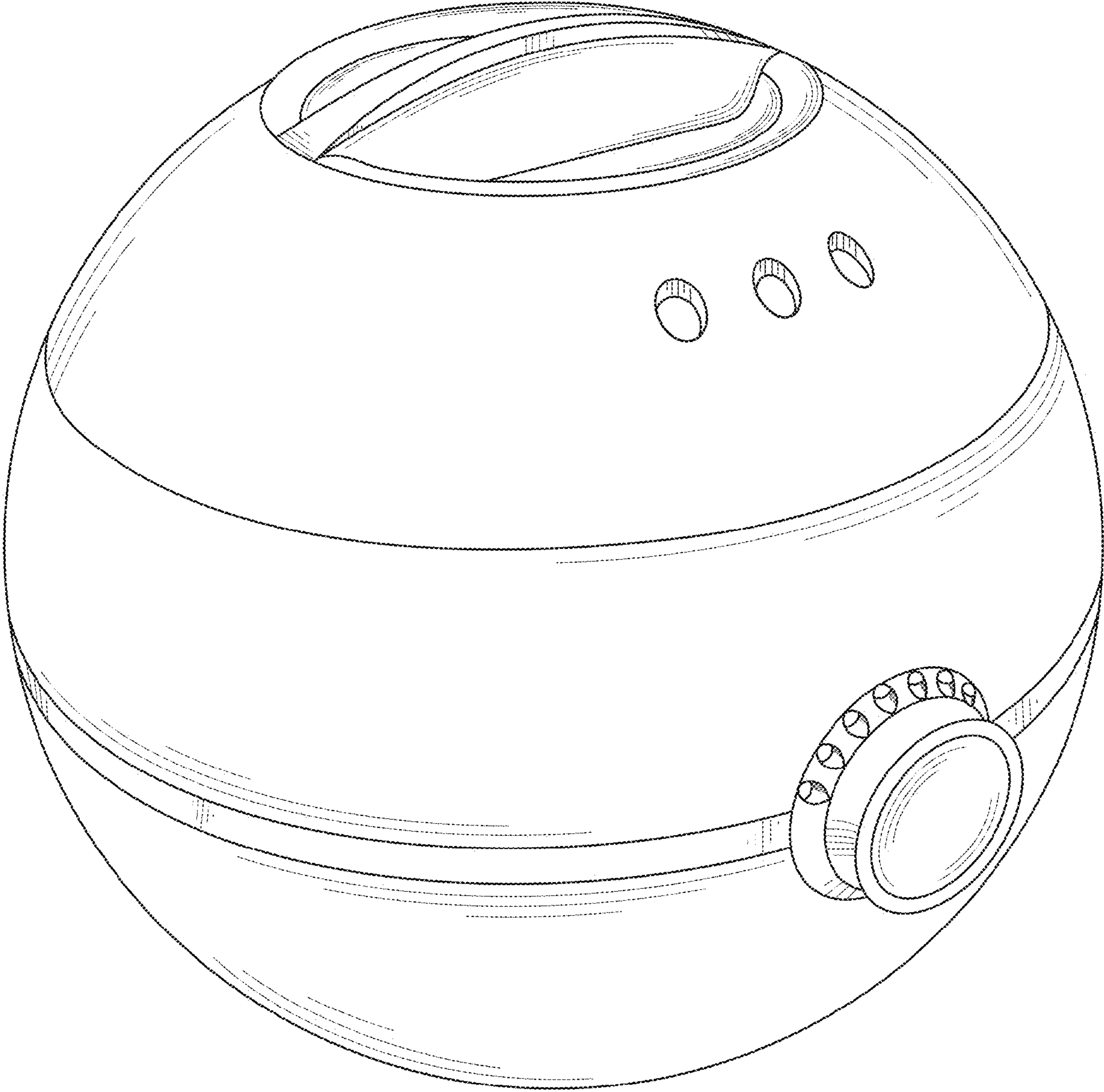


FIG. 1

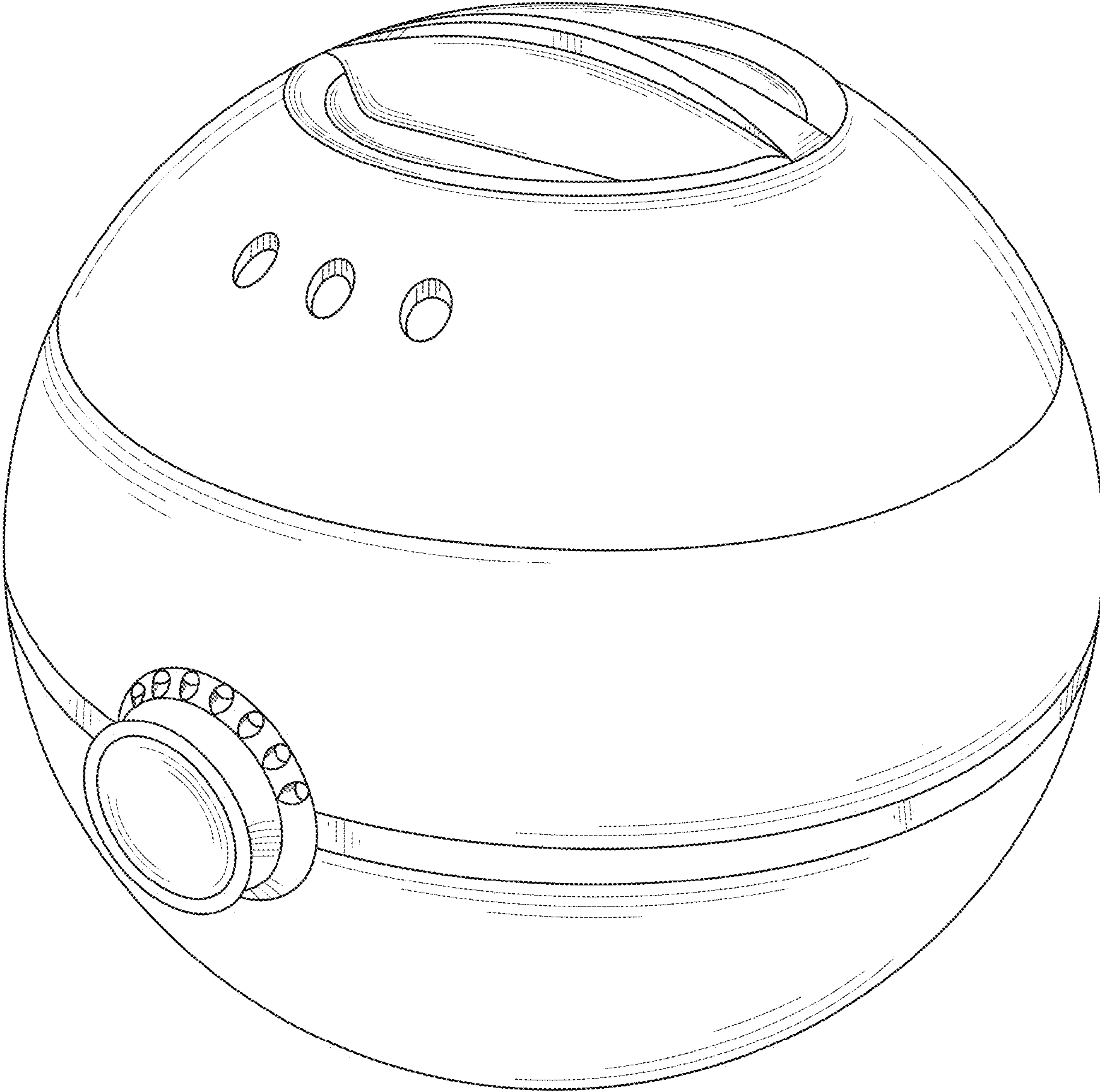


FIG. 2

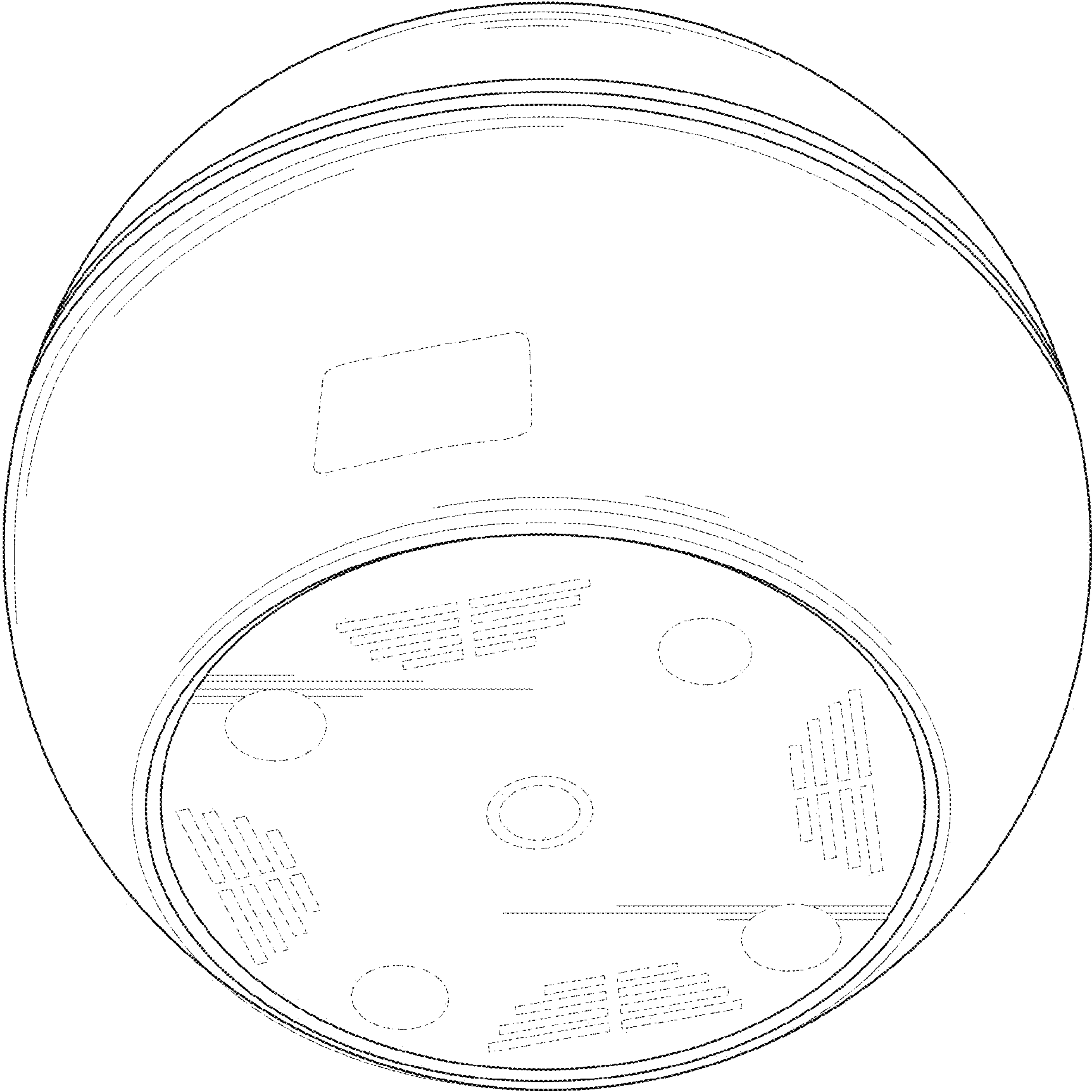


FIG. 3

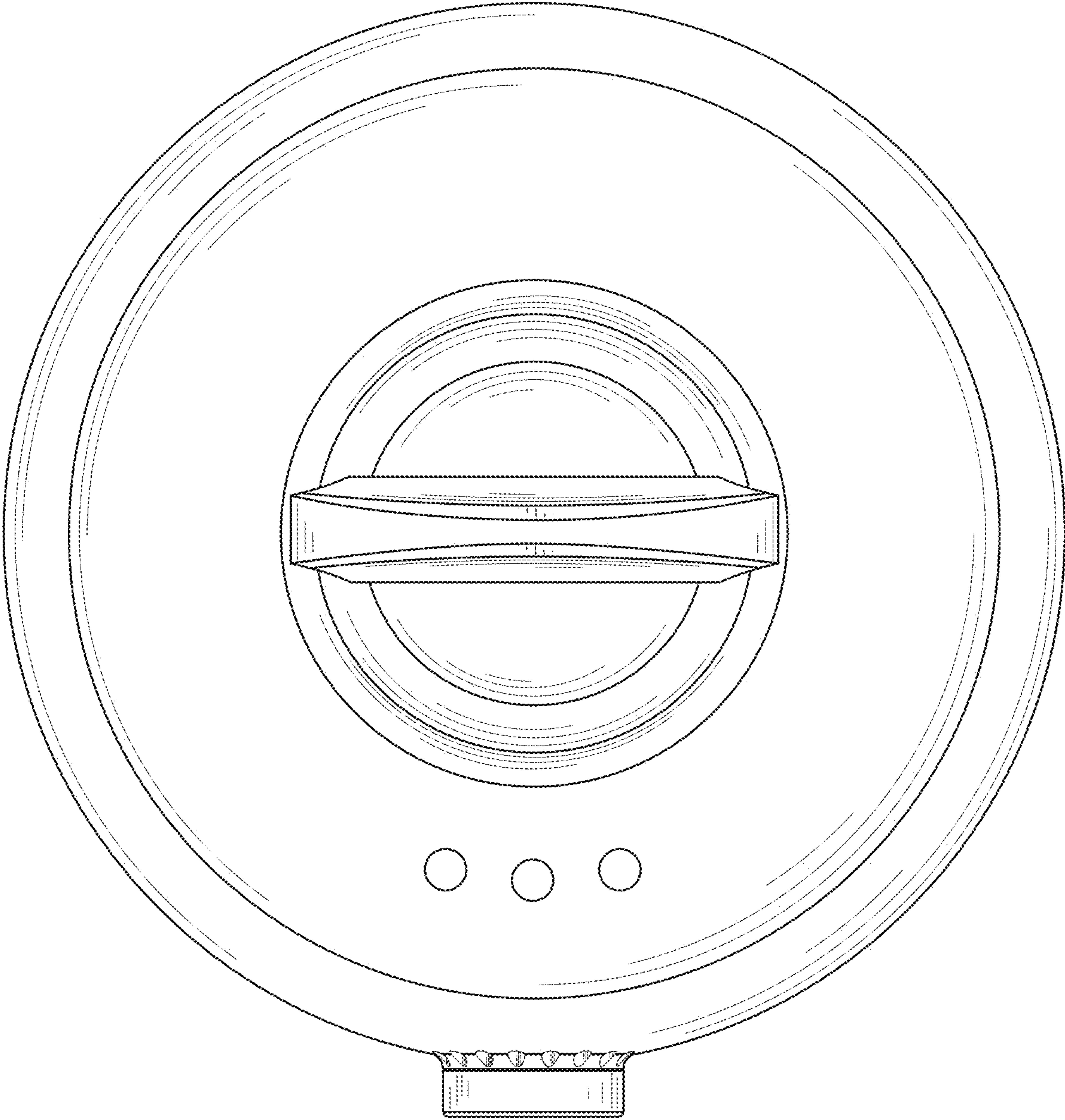


FIG. 4

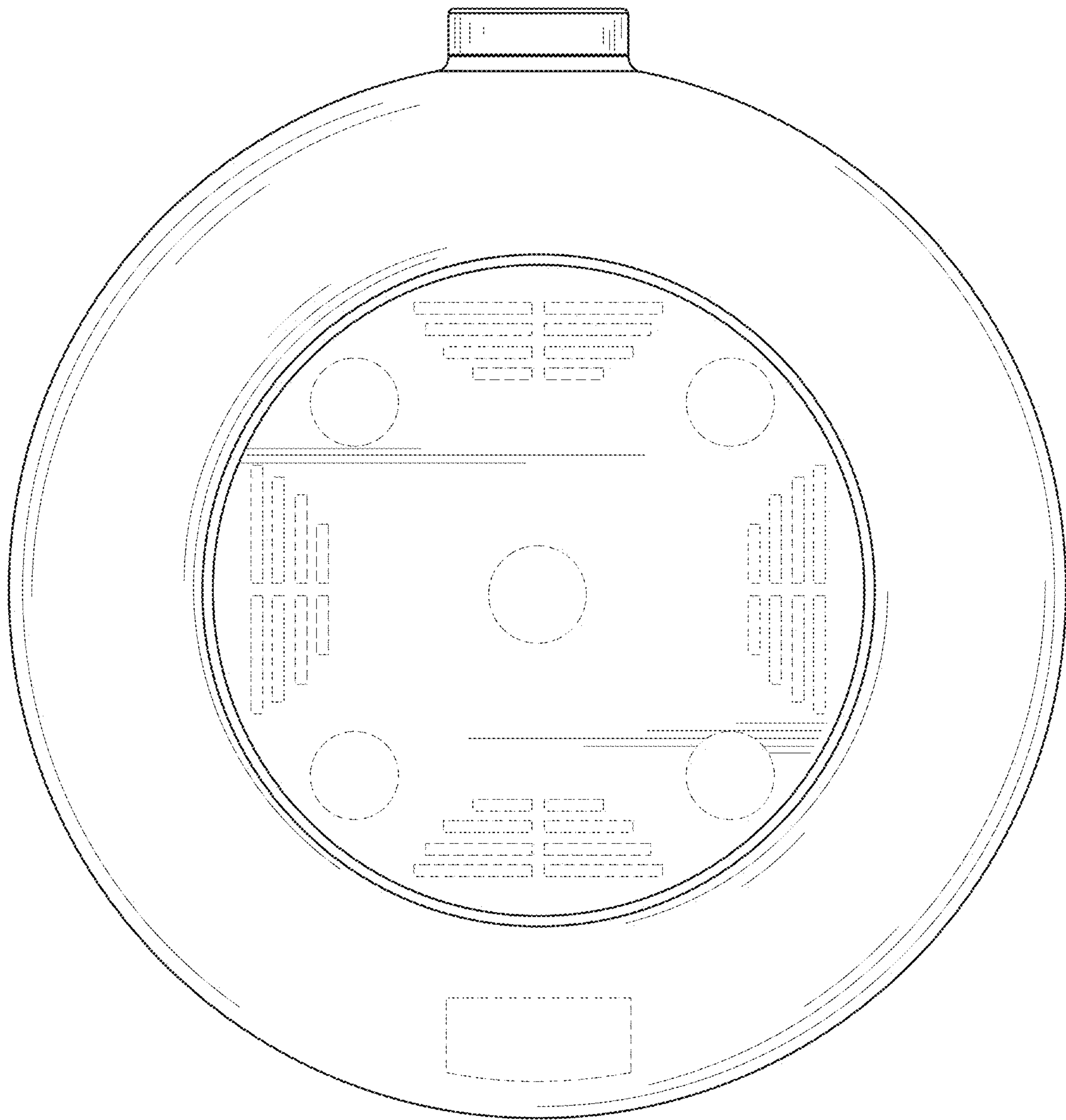


FIG. 5

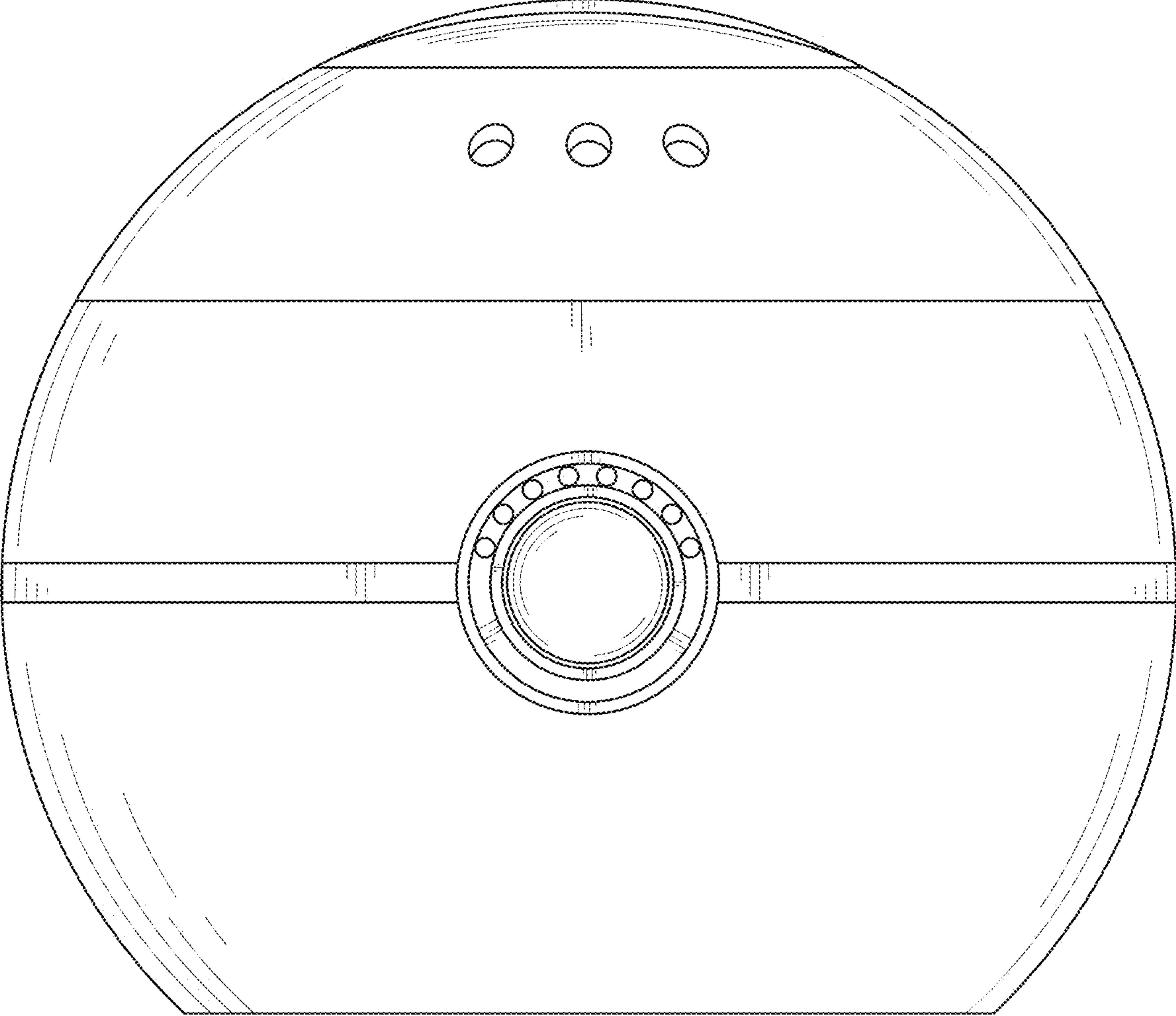


FIG. 6

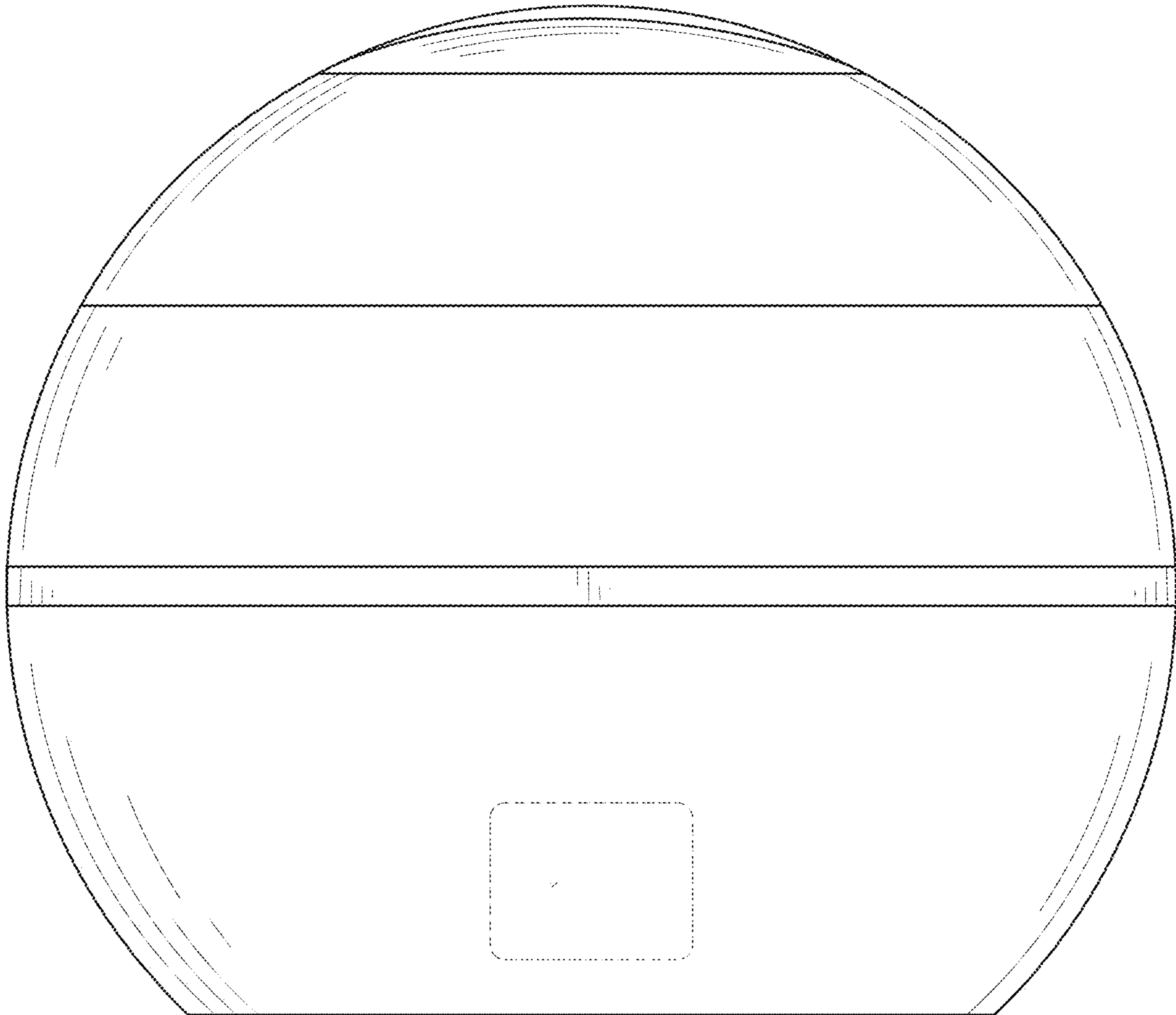


FIG. 7

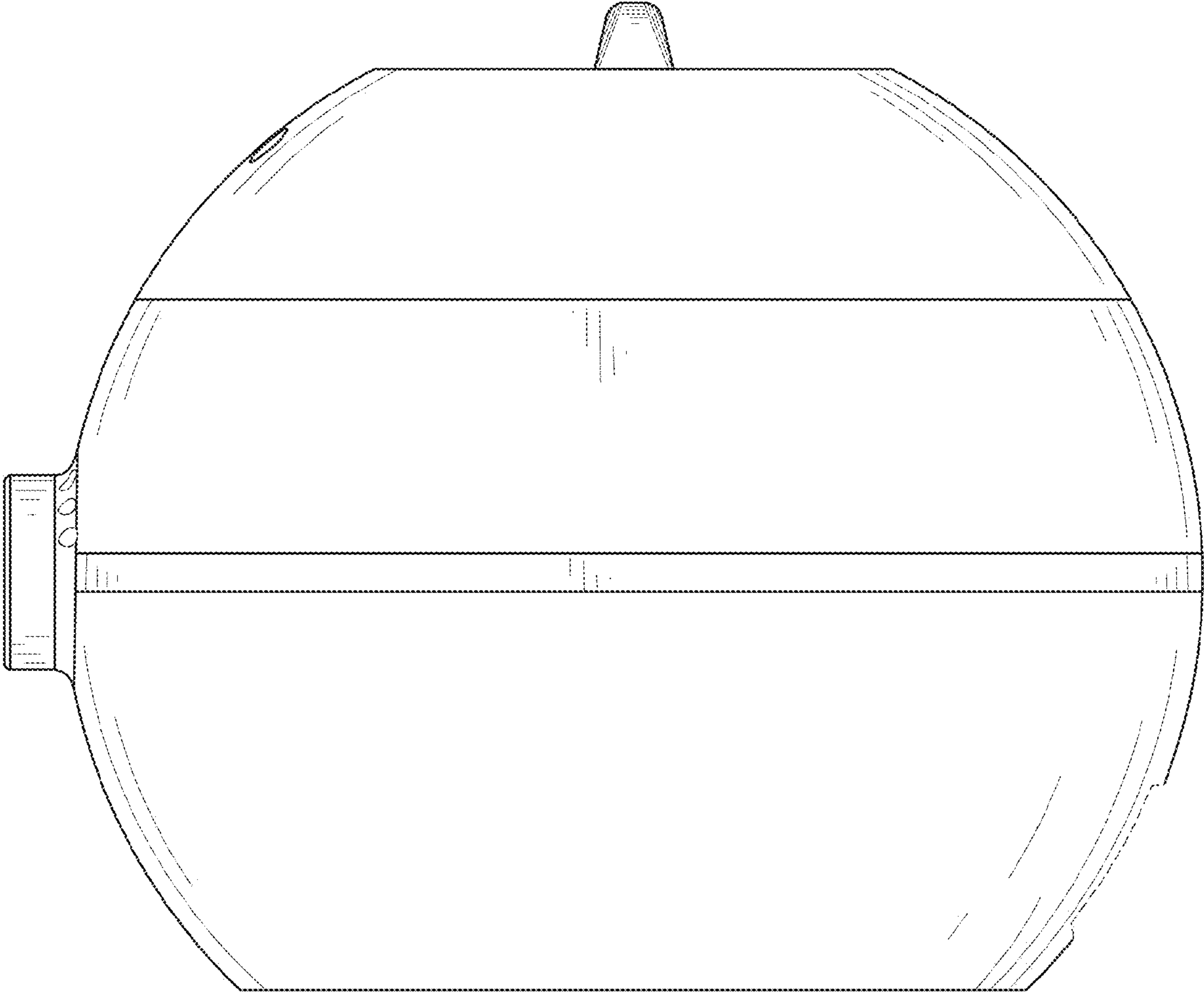


FIG. 8

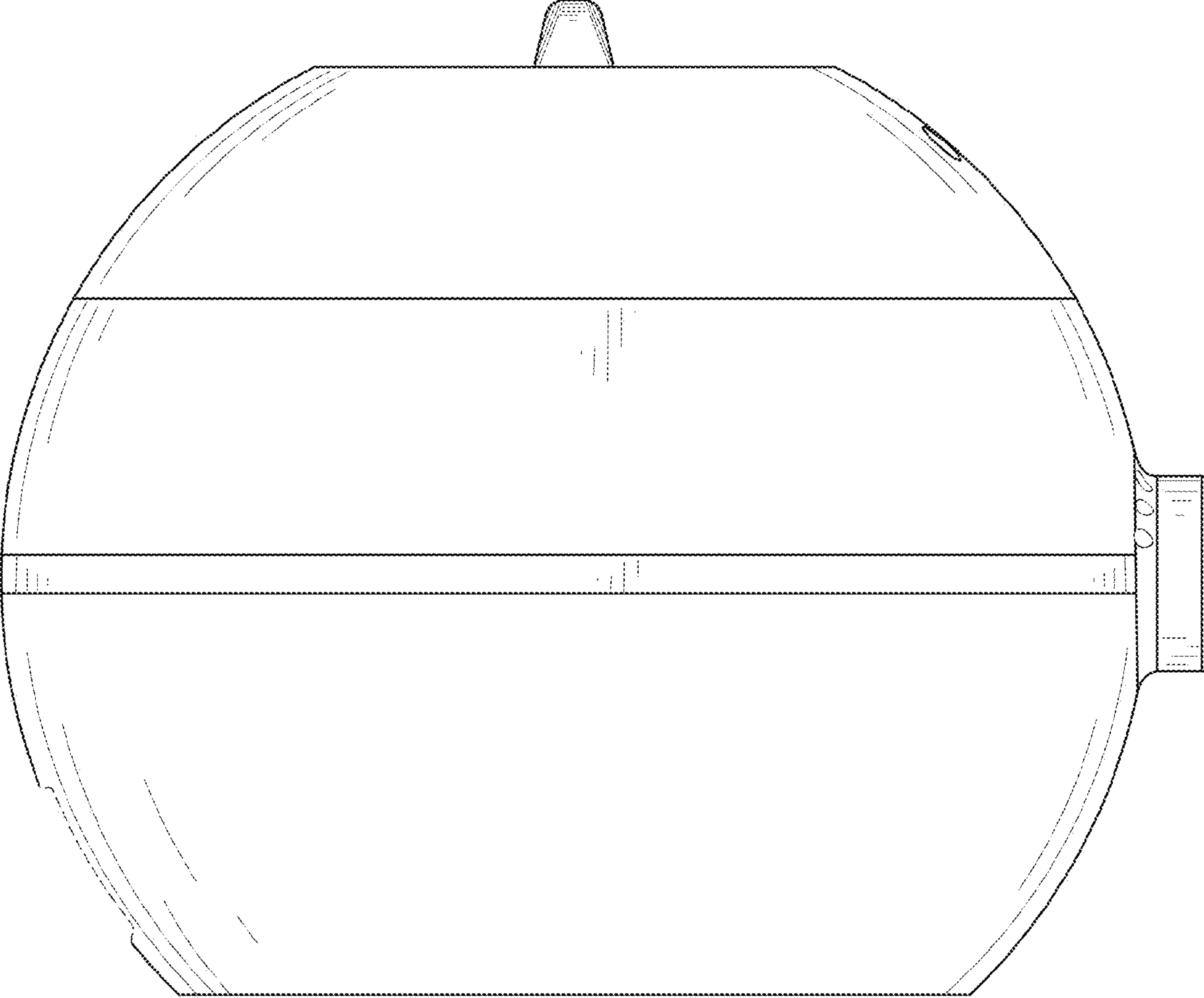


FIG. 9