



US00D933247S

(12) **United States Design Patent**
Lundquist

(10) **Patent No.:** **US D933,247 S**
(45) **Date of Patent:** **** Oct. 12, 2021**

(54) **APPARATUS FOR SEMI-OCCLUDED VOCAL TRACT EXERCISES**

(71) Applicant: **Joseph Patrick Lundquist**, Santa Monica, CA (US)

(72) Inventor: **Joseph Patrick Lundquist**, Santa Monica, CA (US)

(**) Term: **15 Years**

(21) Appl. No.: **29/680,824**

(22) Filed: **Feb. 20, 2019**

(51) **LOC (13) Cl.** **28-03**

(52) **U.S. Cl.**
USPC **D24/200**; D24/188; D24/214

(58) **Field of Classification Search**
USPC D24/133, 200, 209, 211, 212, 213, 214, D24/215, 188–192, 206–207, 115, 117, D24/193–196, 199; D30/160; D29/120.1, 120.2, 121.1, 121.2, 100, D29/101.1, 101.2, 101.3, 101.4, 101.5, D29/122; D21/659, 660, 661; D17/10, D17/11, 12, 13, 99
CPC A61N 1/18; A61N 2005/0644; A61N 2005/0662; A61N 2007/0034; A61N 5/0616; A61N 1/0456; A61N 1/322; A61N 2005/0645; A61N 2005/0654; A61N 5/0613; A63B 23/18; A61M 16/0006; A61M 2209/088; A61M 2205/0238; A61M 2205/0205; A61M 2210/1028

See application file for complete search history.

(56) **References Cited**

U.S. PATENT DOCUMENTS

D262,035 S * 11/1981 Wittman D17/10
D288,140 S * 2/1987 Fontlladosa D1/102
D345,373 S * 3/1994 Mine D17/99
D408,795 S * 4/1999 Wells D14/344
D409,241 S * 5/1999 Melnick D19/164

(Continued)

OTHER PUBLICATIONS

Vocal Straw Necklace, [site visited Jun. 25, 2020]. Available from Internet. URL: <https://oovostraw.com/product/oovo-straw#reviews> (Year: 2020).*

Primary Examiner — T Chase Nelson
Assistant Examiner — Kelly L Gross

(57) **CLAIM**

The ornamental design for an apparatus for semi-occluded vocal tract exercises, as shown and described.

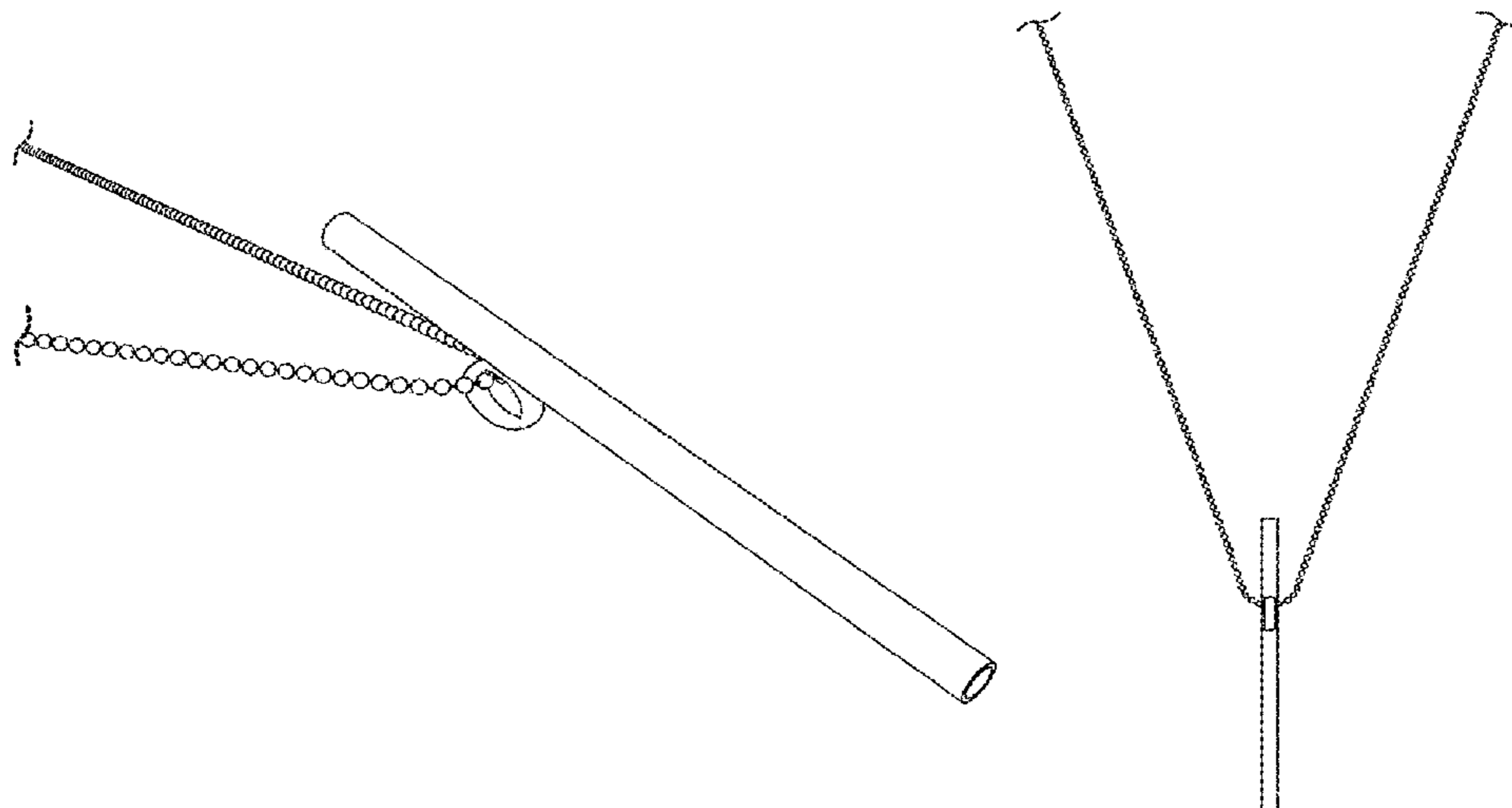
DESCRIPTION

FIG. 1 is a top front isometric perspective view of an apparatus for semi-occluded vocal tract exercises; FIG. 2 is a bottom rear isometric perspective view of an apparatus for semi-occluded vocal tract exercises; FIG. 3 is an enlarged front perspective view of an apparatus for semi-occluded vocal tract exercises; FIG. 4 is a right side perspective view of an apparatus for semi-occluded vocal tract exercises; FIG. 5 is an enlarged rear perspective view of an apparatus for semi-occluded vocal tract exercises; FIG. 6 is a left side perspective view of an apparatus for semi-occluded vocal tract exercises; FIG. 7 is a top perspective view of an apparatus for semi-occluded vocal tract exercises; and, FIG. 8 is a bottom perspective view of an apparatus for semi-occluded vocal tract exercises.

The claimed design is shown in full in FIGS. 7 and 8. The remaining figures show portions of the chain omitted for ease of illustration. The chain links shown in broken lines in the FIG. 1 represent portions of the chain which form no part of the claimed design.

The breakaway lines in FIGS. 1 through 6 show the point at which chain links are omitted for convenience of illustration. In FIGS. 7 and 8, anything beyond the breakaway lines forms no part of the claimed design.

1 Claim, 4 Drawing Sheets



(56)

References Cited

U.S. PATENT DOCUMENTS

D411,623 S * 6/1999 Schiavoni D24/193
 D427,228 S * 6/2000 Light 84/384
 D434,065 S * 11/2000 Morse D17/20
 6,761,699 B2 * 7/2004 Chahine A61H 39/00
 601/134
 D517,207 S * 3/2006 Poynter D24/115
 D526,342 S * 8/2006 Webb D17/10
 D534,648 S * 1/2007 Zahn D24/115
 D539,430 S * 3/2007 Lowsky, Jr. D24/193
 D592,457 S * 5/2009 Mansfield D7/509
 D598,118 S * 8/2009 Schiavoni D24/194
 D614,292 S * 4/2010 Anderson D24/119
 D614,396 S * 4/2010 Tanghoej D3/203.1
 D650,901 S * 12/2011 Ghosh D24/115
 D682,435 S * 5/2013 Lowsky, Jr. D24/193
 D723,709 S * 3/2015 Topolovac D24/215
 D731,075 S * 6/2015 Staton D24/222
 D770,561 S * 11/2016 Clissold D17/10
 D795,447 S * 8/2017 Huschke D24/222
 D797,947 S * 9/2017 Schill D24/194
 D870,897 S * 12/2019 Katzberg D24/187
 D874,664 S * 2/2020 Lowsky D24/194
 D877,917 S * 3/2020 Schill A61M 16/0006
 D24/194
 D878,621 S * 3/2020 Librach D24/222
 D901,035 S * 11/2020 Aparicio D24/222
 10,842,953 B2 * 11/2020 Goodman A24F 47/008
 D904,686 S * 12/2020 Silverberg A45D 40/28
 D28/7
 D906,300 S * 12/2020 Yang A45D 40/28
 D14/230
 2019/0105534 A1 * 4/2019 Lundquist A61M 16/0006

* cited by examiner

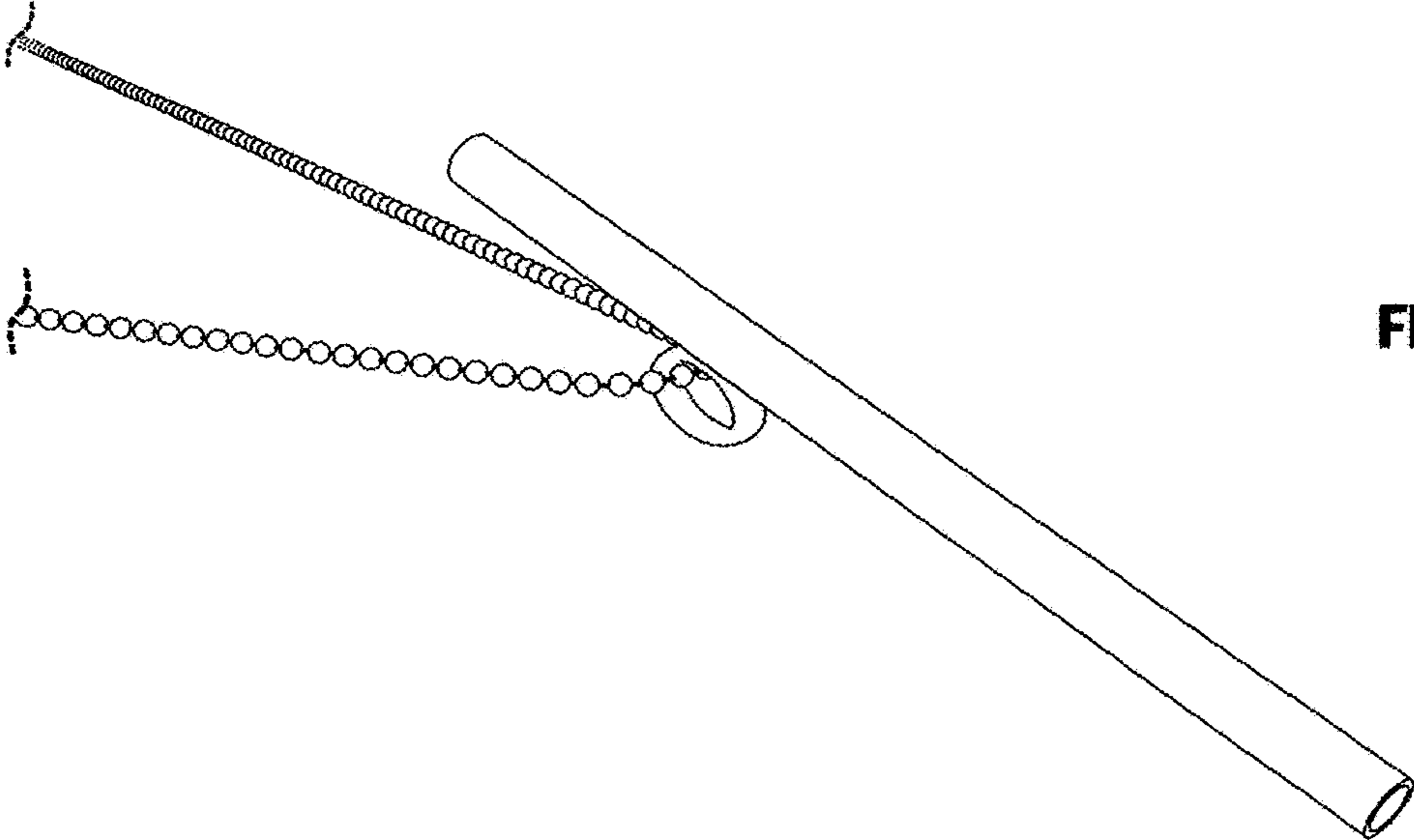


FIG. 1

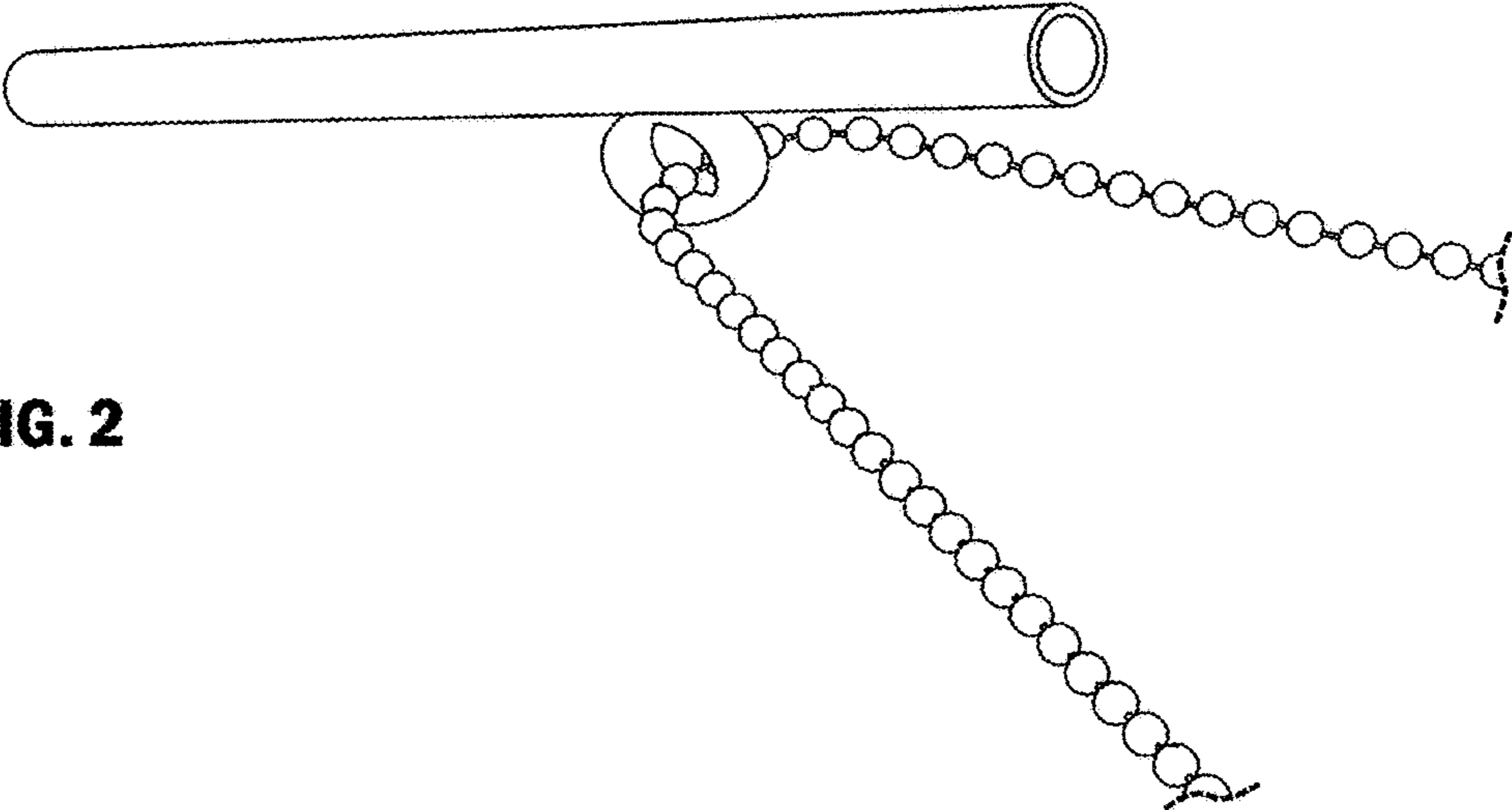


FIG. 2

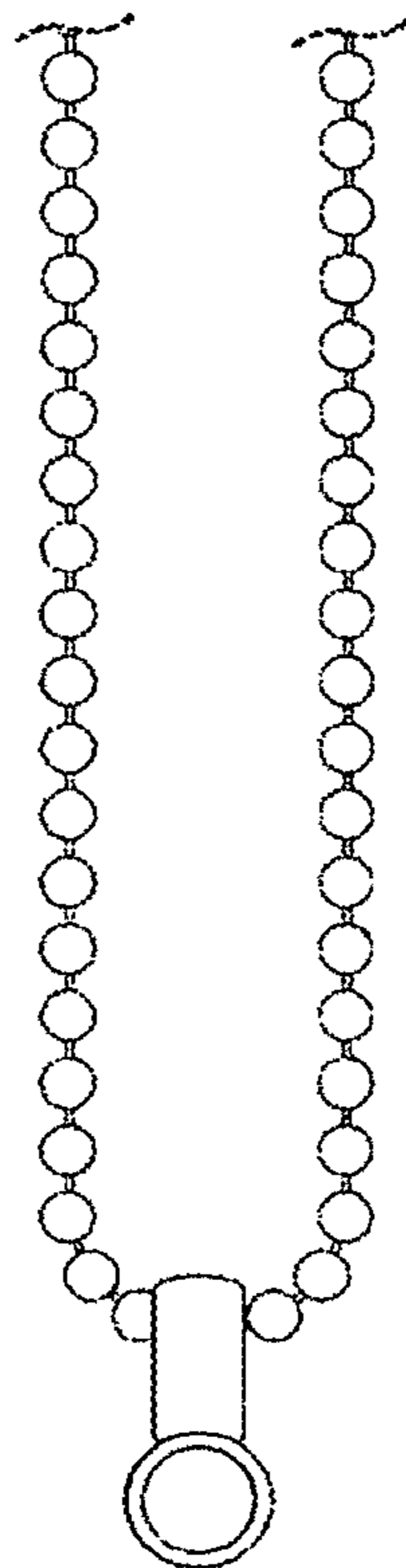


FIG. 3

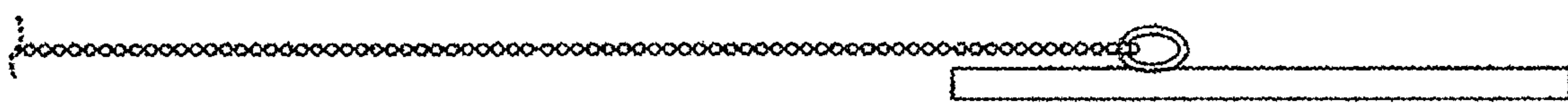


FIG. 4



FIG. 5

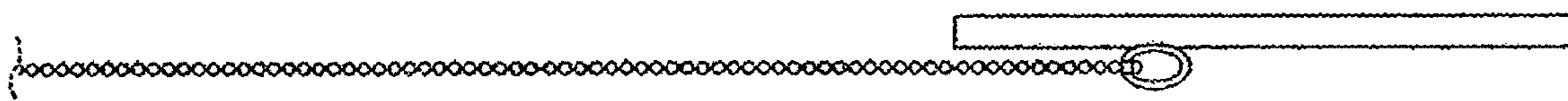


FIG. 6

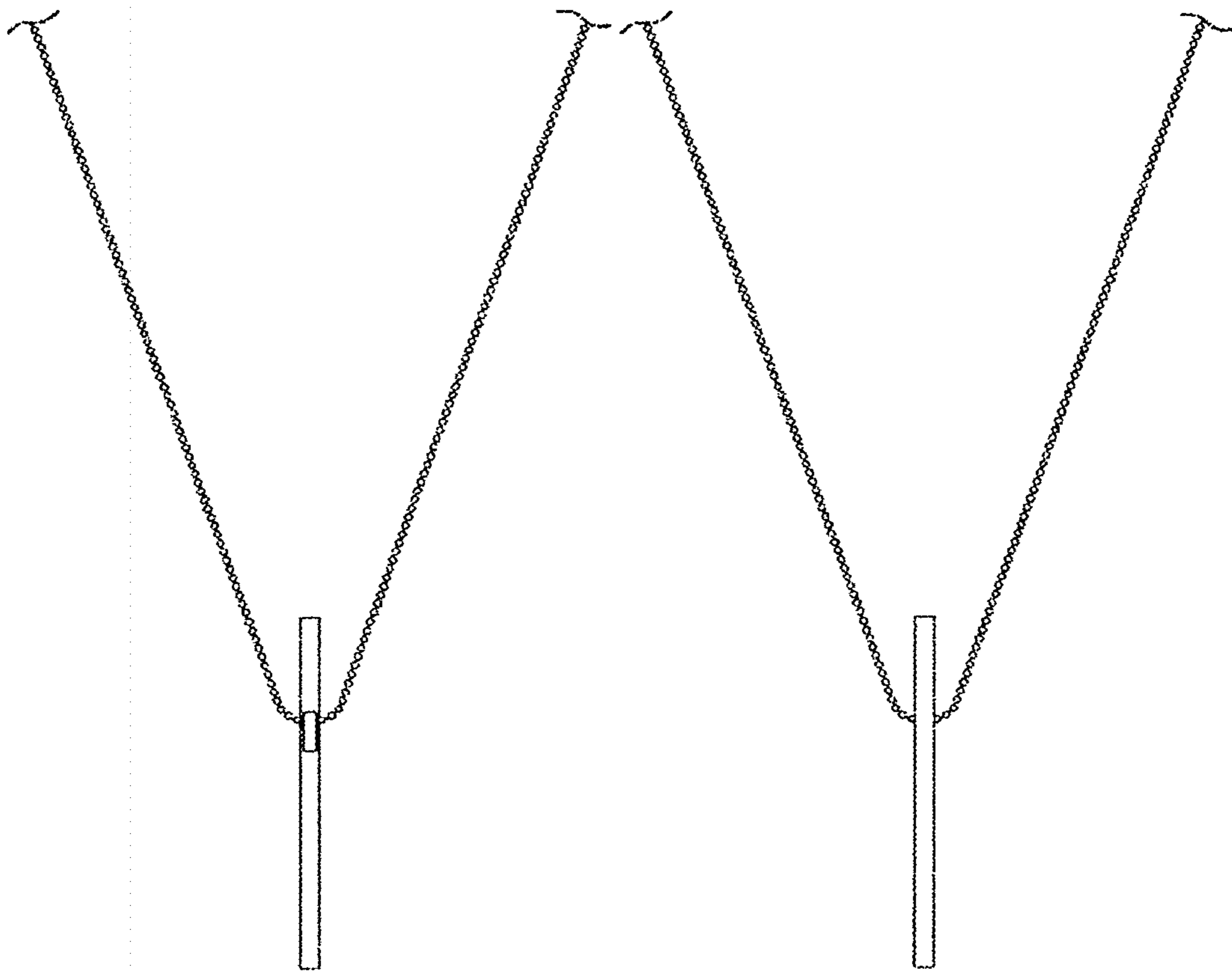


FIG. 7

FIG. 8