



US00D933245S

(12) **United States Design Patent**
Clores

(10) **Patent No.:** **US D933,245 S**

(45) **Date of Patent:** **** *Oct. 12, 2021**

(54) **BABY BOTTLE**

(71) Applicant: **MACE CORPORATION**, Las Vegas,
NV (US)

(72) Inventor: **Edgardo Clores**, Las Vegas, NV (US)

(73) Assignee: **MACE CORPORATION**, Las Vegas,
NV (US)

(*) Notice: This patent is subject to a terminal disclaimer.

(**) Term: **15 Years**

(21) Appl. No.: **29/573,097**

(22) Filed: **Aug. 2, 2016**

(51) **LOC (13) Cl.** **07-01**

(52) **U.S. Cl.**
USPC **D24/197; D9/500**

(58) **Field of Classification Search**
USPC D9/434-436, 452, 454, 500-505, 516,
D9/520, 530, 537, 539, 544-545, 549,
D9/558, 715, 719, 772; D7/300, 300.1,
D7/396.2, 509, 598, 602, 619.1, 629;
D23/362, 366; D24/121, 197
CPC B65D 1/00; B65D 1/02; B65D 1/0223;
B65D 1/10; B65D 2501/00; B65D
2501/0009

See application file for complete search history.

(56) **References Cited**

U.S. PATENT DOCUMENTS

2,158,901 A * 5/1939 Martin A45D 34/045
15/209.1
2,997,731 A * 8/1961 Schultz A45D 34/041
401/213
5,316,160 A * 5/1994 Cautereels A61J 11/04
215/11.1

D368,528 S * 4/1996 Allegre D24/197
D375,895 S * 11/1996 Miller D9/503
D379,589 S * 6/1997 Rhodes D9/500
D441,650 S * 5/2001 Salzburg D9/434
D556,576 S * 12/2007 Webb D9/500
D576,044 S * 9/2008 Lamb D9/504
7,632,457 B2 * 12/2009 Calvert A61J 9/00
134/105
D608,642 S * 1/2010 Black D9/500
D613,174 S * 4/2010 Pecora D9/503
D619,895 S * 7/2010 Kisterev D9/504
D620,370 S * 7/2010 Kuzma D9/558
D621,709 S * 8/2010 Minakuchi D9/503
D627,894 S * 11/2010 Sirota D24/197
D627,895 S * 11/2010 Pheil D24/197
D648,857 S * 11/2011 Pheil D24/197
D672,655 S * 12/2012 Huffman D9/500
D673,452 S * 1/2013 Handy D9/500
D674,279 S * 1/2013 Lembke D7/509
D686,918 S * 7/2013 Lembke D9/500
D700,517 S * 3/2014 Oommen D9/500
D740,609 S * 10/2015 Ayres D7/523
D743,258 S * 11/2015 Panza D9/500
D751,404 S * 3/2016 Li D9/500

(Continued)

Primary Examiner — Sharon S Oum

(74) *Attorney, Agent, or Firm* — Weiss & Moy, P.C.;
Jeffrey D. Moy

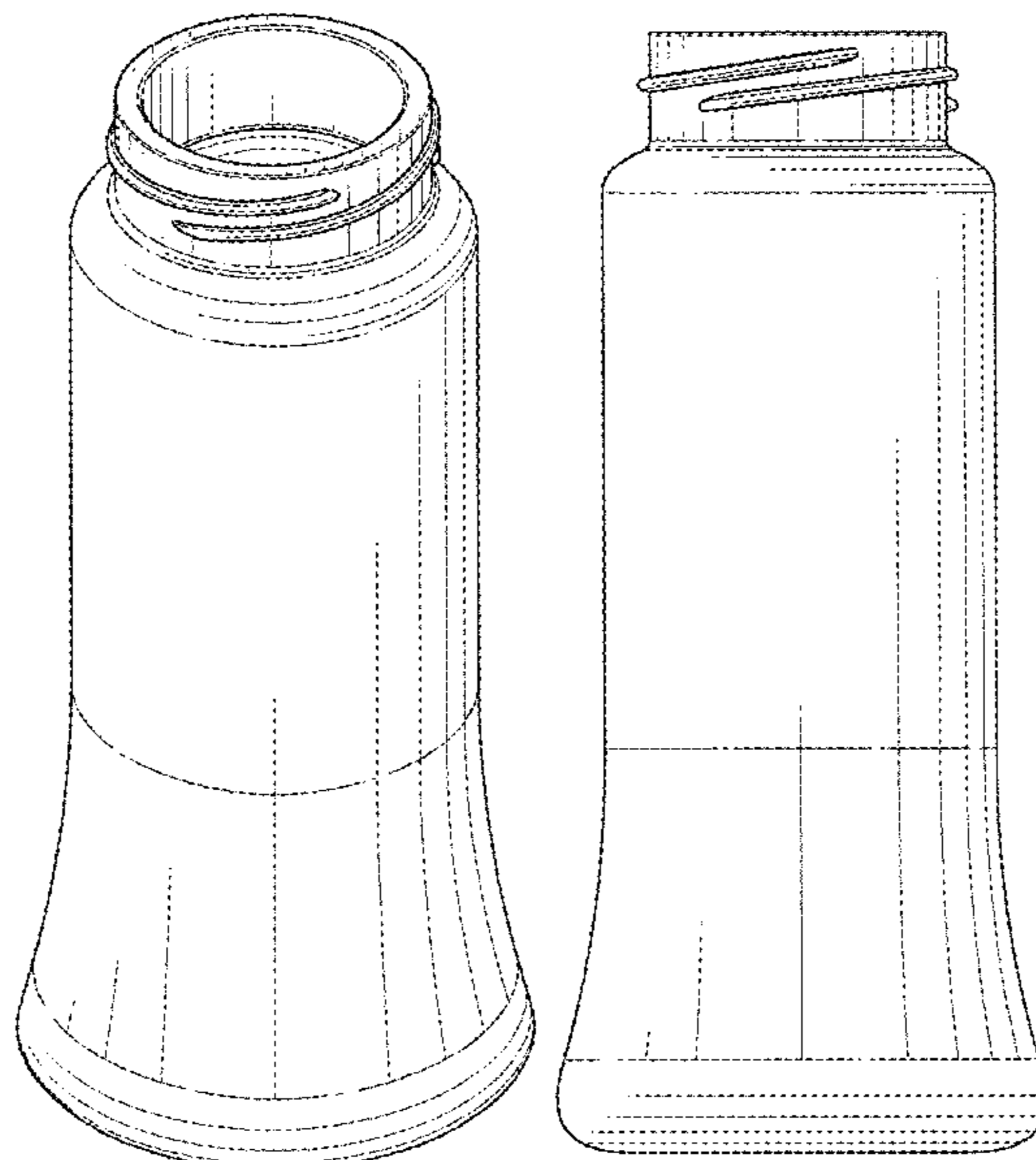
(57) **CLAIM**

The ornamental design for a baby bottle, as shown and described.

DESCRIPTION

FIG. 1 is a perspective front view of a baby bottle
FIG. 2 is a front view of the baby bottle;
FIG. 3 is a rear view of the baby bottle;
FIG. 4 is a right side view of the baby bottle;
FIG. 5 is a left side view of the baby bottle;
FIG. 6 is a top view of the baby bottle; and,
FIG. 7 is a bottom view of the baby bottle.

1 Claim, 4 Drawing Sheets



(56)

References Cited

U.S. PATENT DOCUMENTS

D752,440 S * 3/2016 Fleischhacker D9/500
D792,769 S * 7/2017 Bischoff D9/500

* cited by examiner

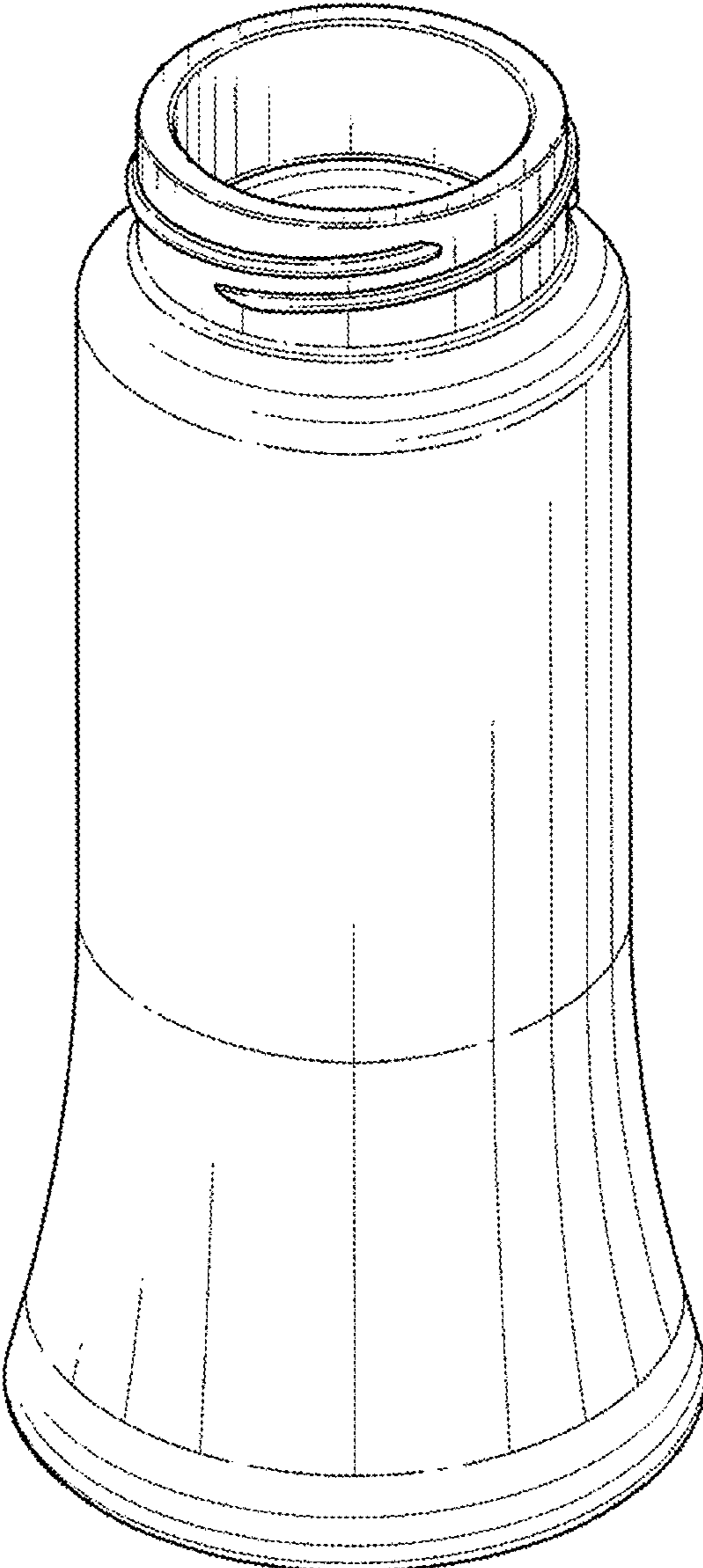


FIG. 1

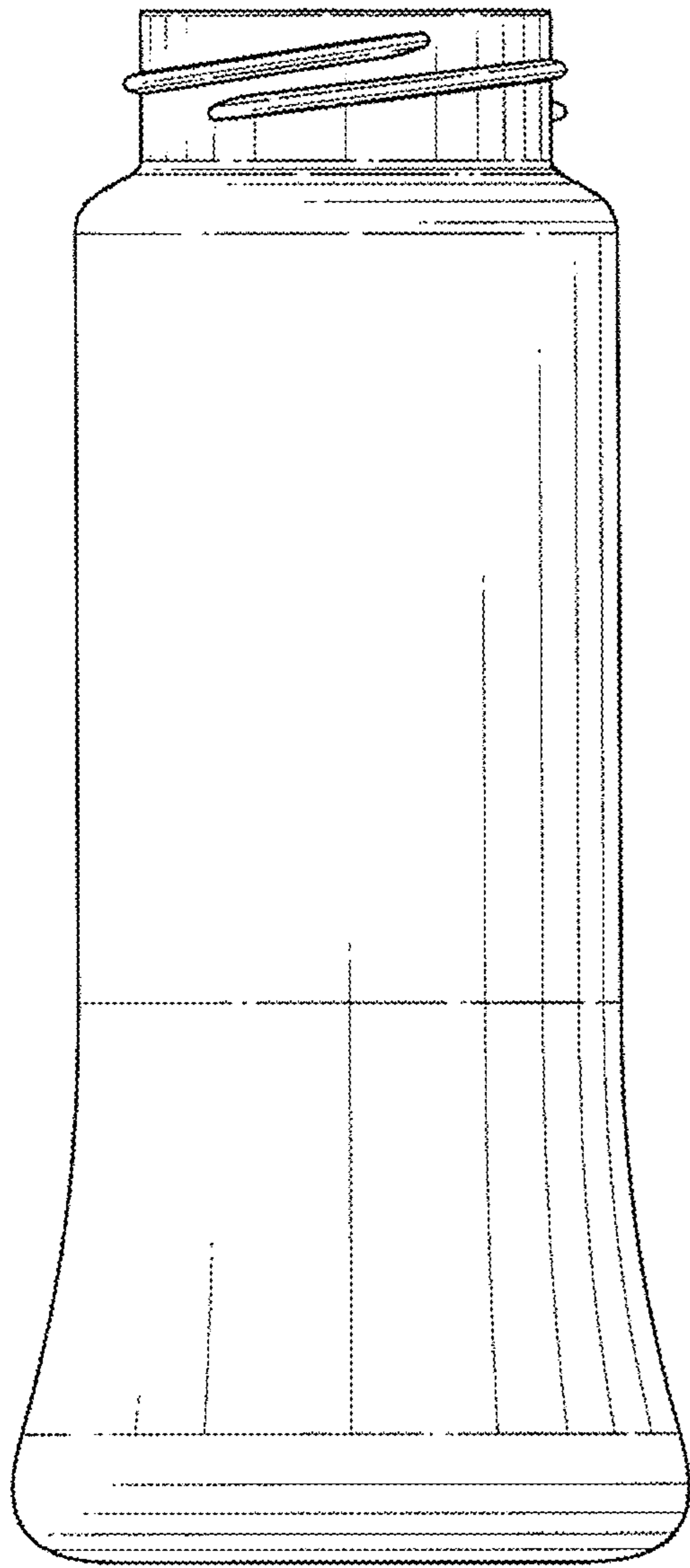


FIG. 2

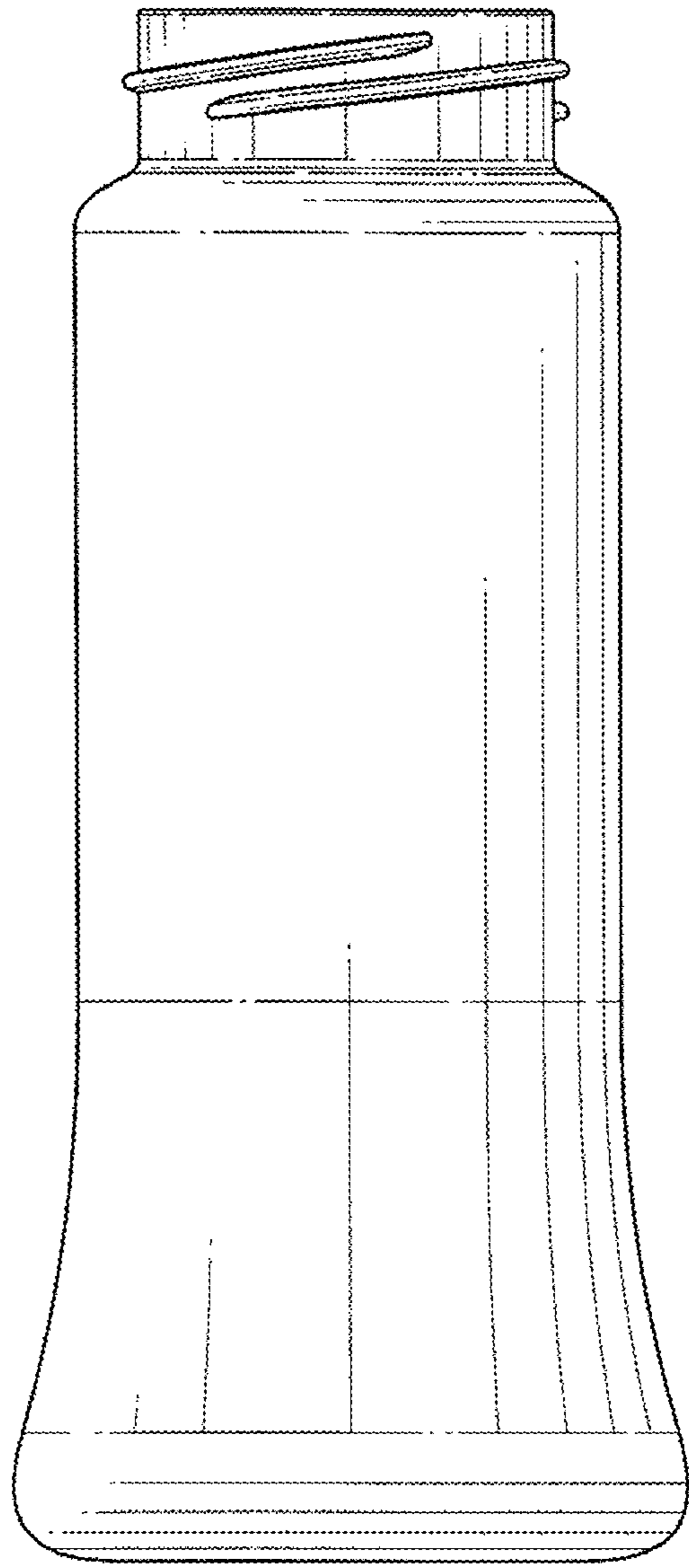


FIG. 3

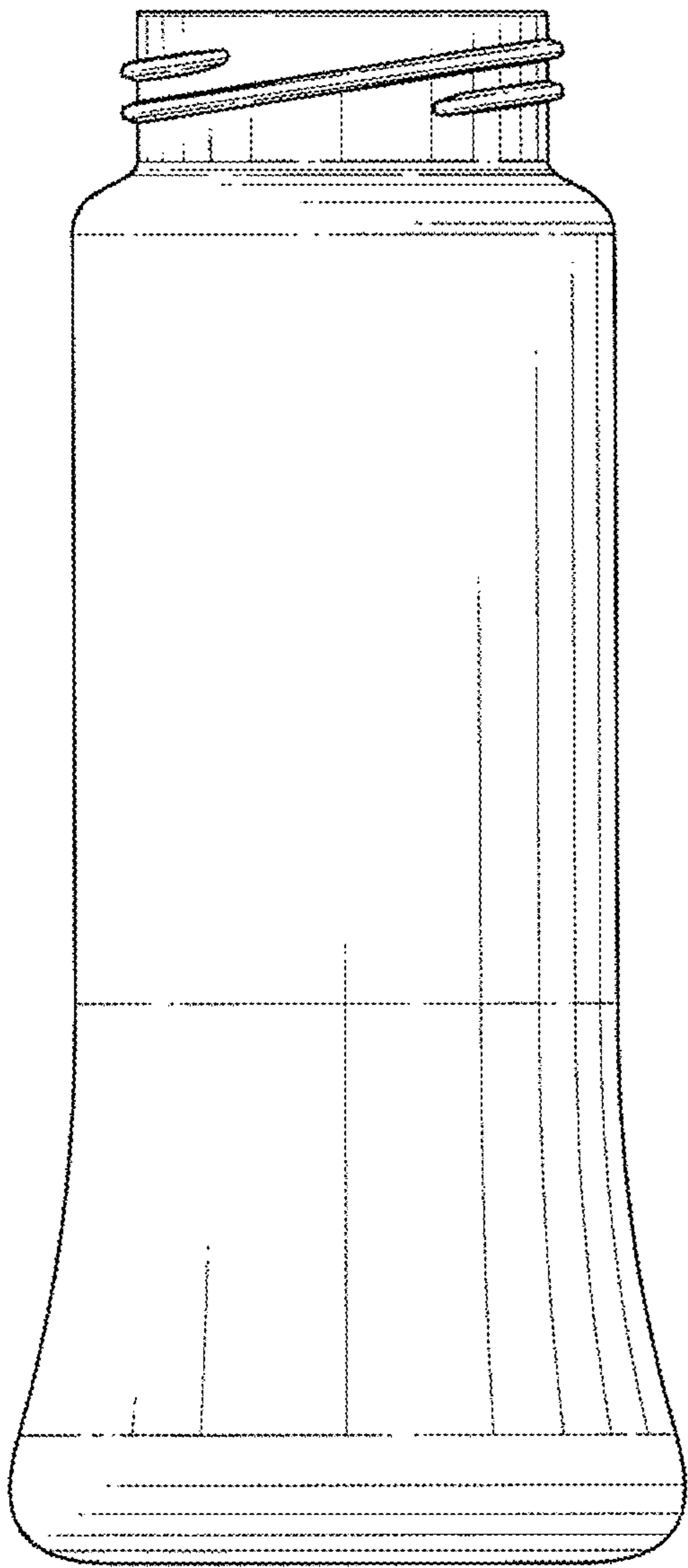


FIG. 4

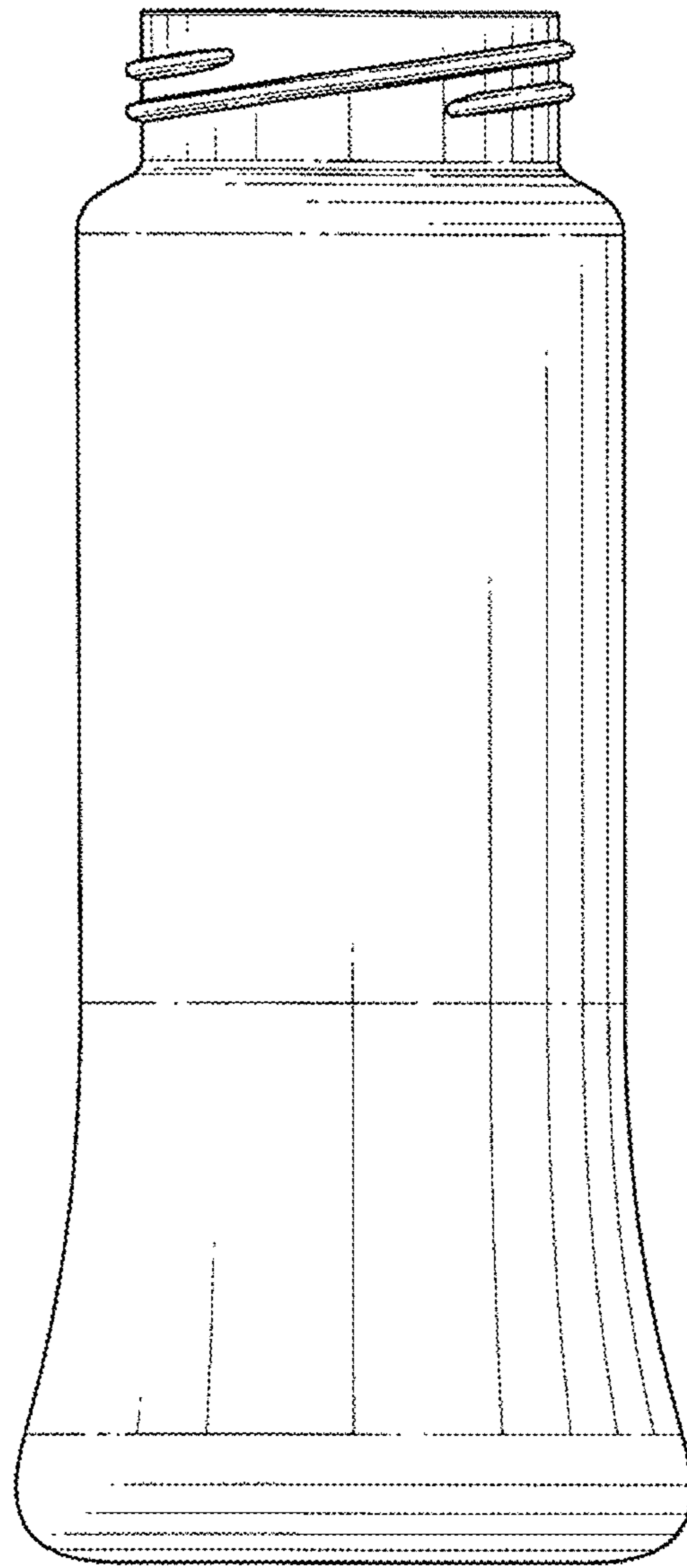


FIG. 5

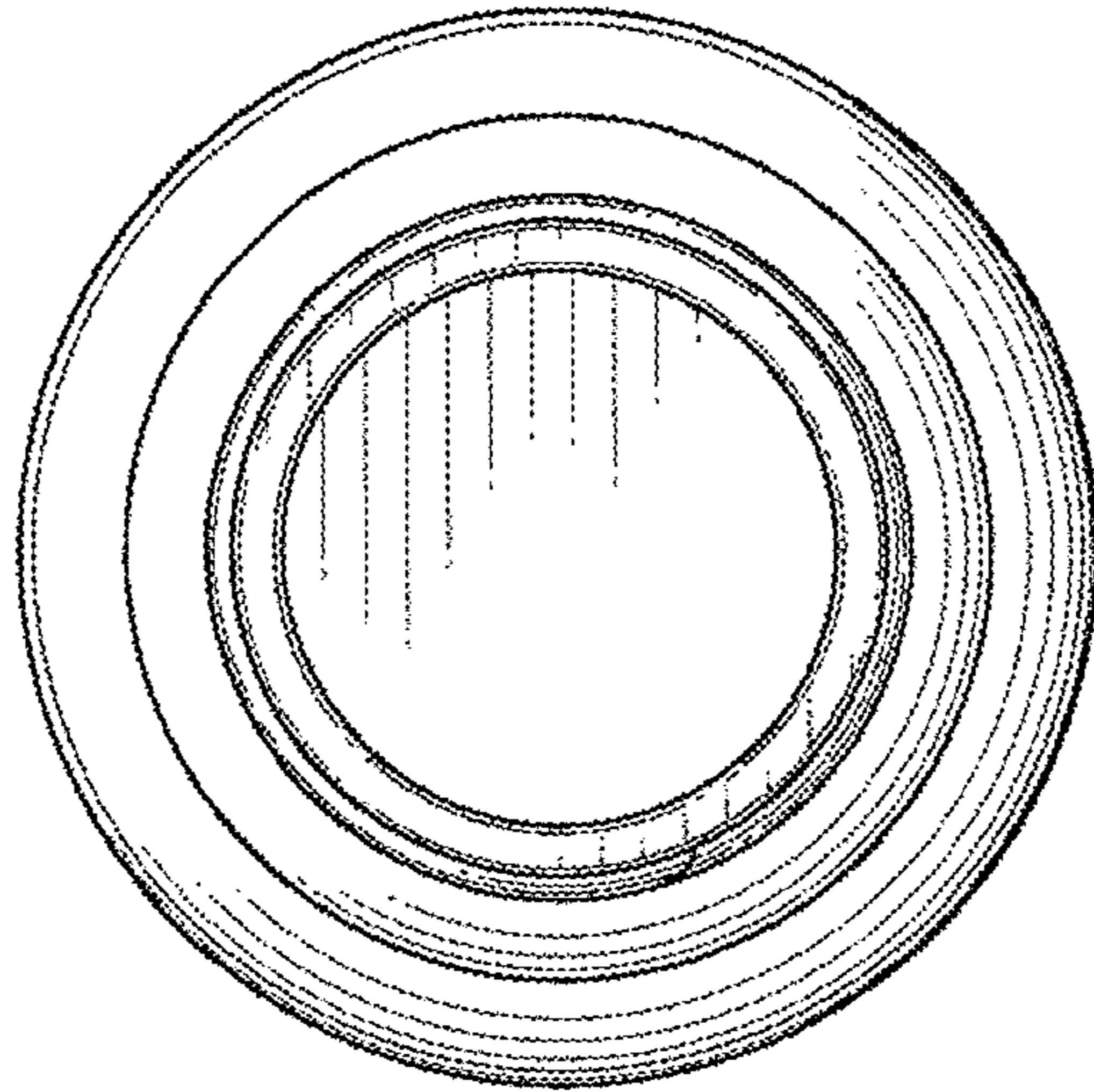


FIG. 6

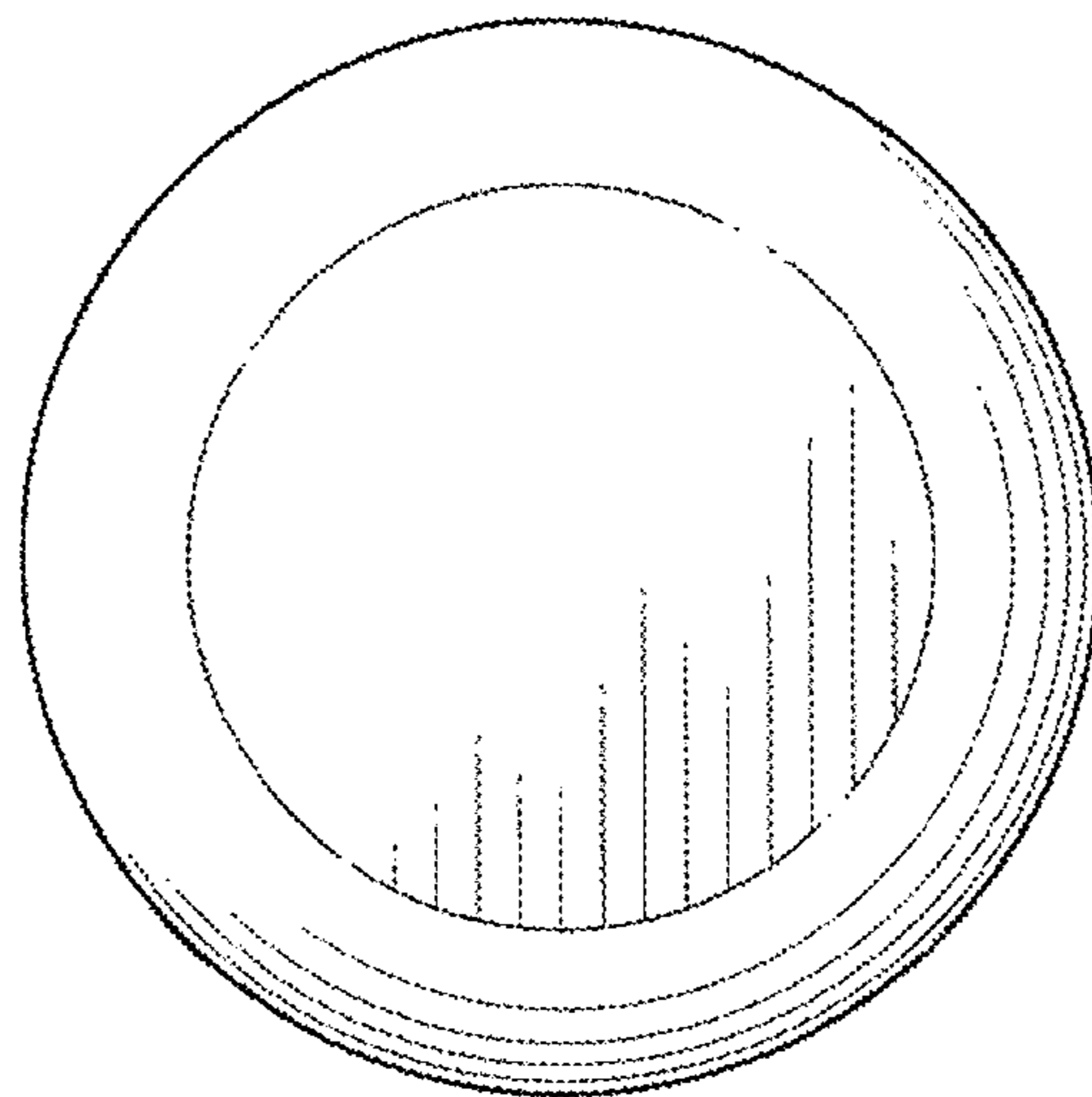


FIG. 7