



US00D933237S

(12) **United States Design Patent** (10) **Patent No.:** **US D933,237 S**
Sigurdsson et al. (45) **Date of Patent:** **** Oct. 12, 2021**

(54) **HINGE**

FOREIGN PATENT DOCUMENTS

(71) Applicant: **Ossur Iceland ehf**, Reykjavik (IS)

CN 1354643 A 6/2002
CN 2604894 Y 3/2004

(72) Inventors: **Sindri Pall Sigurdsson**, Reykjavik (IS);
Bjorn Omarsson, Reykjavik (IS)

(Continued)

(73) Assignee: **OSSUR ICELAND EHF**, Reykjavik (IS)

OTHER PUBLICATIONS

(**) Term: **15 Years**

Catalog, "2017 International Product Catalog," BREG, 2017, pp. 1-100, available at least as early as Dec. 5, 2017.

(21) Appl. No.: **29/740,567**

(Continued)

(22) Filed: **Jul. 6, 2020**

Primary Examiner — Rhea Shields

(74) *Attorney, Agent, or Firm* — Workman Nydegger

Related U.S. Application Data

(62) Division of application No. 29/628,439, filed on Dec. 5, 2017, now Pat. No. Des. 891,623.

(51) **LOC (13) Cl.** **24-02**

(52) **U.S. Cl.**
USPC **D24/171**

(58) **Field of Classification Search**
USPC D24/171, 155, 192, 190
CPC A61F 2002/0852; A61F 2005/0137; A61F 5/0109; A61F 2/644; A61F 5/0127; A61F 5/012; A61F 5/0123; A61F 5/0125; A61F 5/34; E05D 1/02

See application file for complete search history.

(56) **References Cited**

U.S. PATENT DOCUMENTS

817,785 A * 4/1906 Kritsch A61F 5/0125
403/120
1,529,928 A 3/1925 Schuster
1,965,314 A 7/1934 Henderson
2,186,572 A 1/1940 Boepple
3,059,834 A 10/1962 Hausammann
3,255,613 A 6/1966 Burd
3,306,081 A 2/1967 Miles et al.

(Continued)

(57) **CLAIM**

The ornamental design for a hinge, as shown and described.

DESCRIPTION

FIG. 1 is a perspective view of a hinge, according to our new design.

FIG. 2 is a front elevational view according to the hinge of FIG. 1.

FIG. 3 is a rear elevational view according to the hinge of FIG. 1.

FIG. 4 is a top plan view according to the hinge of FIG. 1.

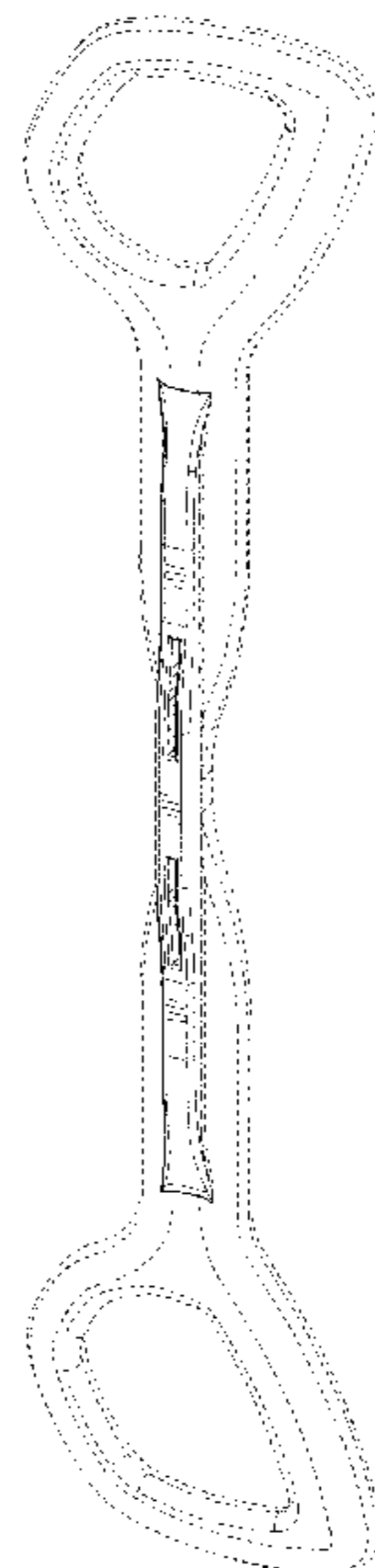
FIG. 5 is a bottom plan view according to the hinge of FIG. 1.

FIG. 6 is a first side elevational view according to the hinge of FIG. 1; and,

FIG. 7 is a second side elevational view according to the hinge of FIG. 1.

In the drawings, the dot-dot broken lines illustrate portions of the hinge that forms no part of the claimed design. In FIGS. 1, 6 and 7, the dot-dash-dot lines illustrate openings that form no part of the claimed design.

1 Claim, 4 Drawing Sheets



(56)

References Cited

U.S. PATENT DOCUMENTS

3,316,900	A *	5/1967	Young	A61F 5/0125 602/16	7,819,830	B2	10/2010	Sindel et al.
3,478,748	A	11/1969	Bjorn-Larsen		D629,115	S	12/2010	Robertson
3,496,944	A	2/1970	Cuozzi		D630,333	S	1/2011	Chiang
3,638,658	A	2/1972	Becker et al.		7,871,388	B2	1/2011	Brown
3,975,929	A	8/1976	Fregeolle		D635,266	S	3/2011	Chiang
4,176,665	A	12/1979	Terpening		D635,267	S	3/2011	Chiang
4,201,203	A	5/1980	Applegate		7,896,827	B2	3/2011	Ingimundarson et al.
4,379,463	A	4/1983	Meier et al.		7,943,219	B2	5/2011	Krueger
4,466,428	A	8/1984	McCoy		7,959,590	B2	6/2011	Scott
4,492,227	A	1/1985	Senn et al.		8,025,632	B2	9/2011	Einarsson
4,620,532	A *	11/1986	Houswerth	A61F 5/0125 602/16	8,043,242	B2	10/2011	McSpadden et al.
D291,596	S *	8/1987	Detty	D24/190	8,048,014	B2	11/2011	Brown
4,870,956	A	10/1989	Fatool et al.		8,066,654	B2	11/2011	Sandifer et al.
4,908,037	A	3/1990	Ross		D654,182	S	2/2012	Chiang
4,986,264	A	1/1991	Miller		8,118,765	B2	2/2012	Magnusson
5,036,837	A	8/1991	Mitchell et al.		D657,063	S	4/2012	Chiang
5,118,021	A	6/1992	Fiocchi		D665,950	S	8/2012	Rokitta
5,139,477	A	8/1992	Peters		8,328,747	B2	12/2012	Matsunaga
5,230,696	A *	7/1993	Silver	A61F 5/34 602/16	D683,118	S	5/2013	Pauk
5,277,697	A	1/1994	France et al.		D683,461	S	5/2013	Muerner et al.
5,306,230	A	4/1994	Bodine		D704,840	S	5/2014	Murner et al.
5,334,135	A	8/1994	Grim et al.		D712,563	S	9/2014	Pursel et al.
5,385,538	A	1/1995	Mann		8,950,013	B2	2/2015	Bates
5,497,513	A	3/1996	Arabeyre et al.		9,066,546	B2	6/2015	Getzwiller
5,520,622	A *	5/1996	Bastyr	A61F 5/012 602/13	9,107,735	B2 *	8/2015	Wayd A61F 5/0123
5,538,488	A	7/1996	Villepigue		9,113,998	B2	8/2015	Romo
5,695,452	A	12/1997	Grim et al.		D741,622	S	10/2015	Jensen et al.
5,711,029	A	1/1998	Visco et al.		9,173,763	B2	11/2015	Gilmer et al.
5,728,057	A	3/1998	Ouellette et al.		9,233,018	B2 *	1/2016	Chetlapalli A61F 5/0123
5,728,058	A	3/1998	Ouellette et al.		D759,826	S	6/2016	Martinez et al.
5,730,710	A	3/1998	Eichhorn et al.		9,393,147	B2	7/2016	Scheuermann et al.
5,769,809	A	6/1998	Witzel		D777,468	S	1/2017	Currier
5,865,776	A	2/1999	Springs		9,545,328	B2	1/2017	Hess et al.
5,885,235	A *	3/1999	Opahle	A61F 5/0125 602/16	D778,563	S	2/2017	Kanata
D422,709	S	4/2000	Caswell		D783,207	S	4/2017	Lindsey
6,059,834	A	5/2000	Springs		D783,970	S	4/2017	Kanata
6,149,616	A	11/2000	Szlema et al.		D788,540	S	6/2017	Mock
D435,145	S	12/2000	Lindsey		D789,547	S	6/2017	Matfus et al.
6,371,933	B1	4/2002	Gardon-Mollard		D794,932	S	8/2017	Parrett et al.
D457,293	S	5/2002	Maurer		9,744,063	B2	8/2017	Huffa et al.
6,408,445	B1	6/2002	Matthews		D796,809	S	9/2017	Williams, Jr.
6,412,311	B1	7/2002	Nakai		D804,043	S	11/2017	Gildersleeve
6,430,970	B1	8/2002	Gardon-Mollard et al.		D812,236	S	3/2018	Burke et al.
6,440,526	B1	8/2002	Gamble et al.		D816,234	S	4/2018	Calvello et al.
6,523,729	B1	2/2003	Gardon-Mollard		D819,212	S *	5/2018	Alexander D24/171
6,592,539	B1	7/2003	Einarsson et al.		D829,331	S *	9/2018	Norton D24/190
6,634,190	B2	10/2003	Didier-Laurent		D831,221	S	10/2018	Smith
D489,135	S *	4/2004	Slautterback	A61F 5/0127 D24/192	10,159,592	B2	12/2018	Ingimundarson et al.
D492,787	S	7/2004	Weaver et al.		10,165,803	B2	1/2019	Hoeven
6,838,402	B2	1/2005	Harris et al.		D843,684	S	3/2019	Hamilton et al.
7,017,376	B2	3/2006	Meckley et al.		10,426,647	B2	10/2019	Romo et al.
7,025,738	B2	4/2006	Hall		D891,623	S *	7/2020	Sigurdsson D24/171
7,076,973	B1	7/2006	Chesebro et al.		2003/0114782	A1	6/2003	Chiang et al.
7,083,586	B2	8/2006	Simmons et al.		2003/0216676	A1	11/2003	Gardon-Mollard
7,198,610	B2	4/2007	Ingimundarson et al.		2004/0153017	A1	8/2004	Simmons et al.
7,273,464	B2	9/2007	Reinhardt		2005/0020951	A1	1/2005	Gaylord et al.
D555,339	S	11/2007	Chang		2006/0151550	A1	7/2006	Chevalier
D572,827	S	7/2008	Reinhardt et al.		2006/0246802	A1	11/2006	Hughes et al.
D574,084	S	7/2008	Reinhardt		2007/0060853	A1	3/2007	Sindel et al.
7,473,236	B1	1/2009	Mathewson		2007/0197944	A1	8/2007	Bruce et al.
7,517,331	B2	4/2009	Reinhardt et al.		2008/0139982	A1	6/2008	Magnusson
D601,705	S	10/2009	Bauerfeind et al.		2009/0156973	A1	6/2009	Scott
7,615,025	B2 *	11/2009	Nathanson	A61F 5/0123 602/16	2010/0036303	A1	2/2010	Bauerfeind et al.
7,625,350	B2	12/2009	Hunter et al.		2010/0152635	A1	6/2010	Borden
7,699,195	B2	4/2010	Scott		2011/0172582	A1	7/2011	Darian
7,749,181	B2	7/2010	Simmons et al.		2012/0141750	A1	6/2012	Taylor
D626,241	S	10/2010	Sagnip et al.		2012/0165713	A1	6/2012	Forbes et al.
					2012/0232448	A1	9/2012	Wuest
					2012/0277649	A1	11/2012	Matsuo et al.
					2012/0310372	A1 *	12/2012	Omarsson A61F 2/644 623/43
					2013/0022794	A1	1/2013	Ng et al.
					2013/0053743	A1 *	2/2013	Reinhardt A61F 5/0109 602/26
					2013/0053744	A1	2/2013	Convert et al.
					2013/0110023	A1	5/2013	Scheuermann et al.
					2013/0116609	A1	5/2013	Matsuo et al.
					2013/0184628	A1	7/2013	Ingimundarson et al.
					2013/0211304	A1	8/2013	Romo et al.

(56)

References Cited

U.S. PATENT DOCUMENTS

2013/0251962	A1	9/2013	Reid, Jr.	
2013/0312294	A1	11/2013	Tang	
2013/0333706	A1	12/2013	Bauerfeind	
2014/0079900	A1	3/2014	Ramirez	
2014/0303534	A1	10/2014	Huffa et al.	
2015/0032041	A1	1/2015	Ingimundarson et al.	
2015/0038891	A1	2/2015	Lipton et al.	
2015/0121657	A1	5/2015	Ingimundarson et al.	
2015/0223958	A1*	8/2015	Dunn	A61F 5/0123 602/16
2015/0272767	A1	10/2015	Field	
2015/0290012	A1*	10/2015	Ferrigolo	A61F 5/0123 602/16
2015/0290014	A1	10/2015	Anglada et al.	
2016/0081835	A1	3/2016	Grange et al.	
2016/0095734	A1*	4/2016	Sigurdsson	A61F 5/0109 602/26
2017/0020707	A1	1/2017	Duport et al.	
2017/0027719	A1	2/2017	Bache et al.	
2017/0112652	A1*	4/2017	Raab	A61F 5/0125
2017/0119568	A1	5/2017	Chiang et al.	
2018/0042754	A1	2/2018	Ingimundarson et al.	
2018/0078398	A1	3/2018	Ingimundarson et al.	
2019/0037937	A1	2/2019	Ito et al.	
2019/0048923	A1*	2/2019	Gunnsteinsson	E05D 1/02

FOREIGN PATENT DOCUMENTS

DE	102010019405	A1	8/2011
EP	2283795	A1	2/2011
EP	2536370	A1	12/2012
FR	2775431	A1	9/1999
FR	2807644	A1	10/2001
WO	91/05498	A1	5/1991
WO	99/44548	A1	9/1999
WO	03/96851	A1	11/2003
WO	2008/006142	A1	1/2008
WO	2012/003992	A1	1/2012
WO	2017/135473	A1	8/2017
WO	2018/031618	A1	2/2018

OTHER PUBLICATIONS

Catalog, "Aircast Procure Exos Product Catalog," DJO Global, 2014, pp. 1-144, available at least as early as Dec. 31, 2014.

Catalog, "Bracing and Supports Catalog," Ottobock, 2015, pp. 1-100, available at least as early as Dec. 31, 2015.

Catalog, "Catalogue 2017," Bort Medical, 2017, pp. 1-196, available at least as early as Dec. 5, 2017.

Catalog, "Continuum of Care for Orthopedic Clinics," BSNmedical, 2016, pp. 1-48, available at least as early as Dec. 31, 2016.

Catalog, "International Catalogue," Gibaud, Jun. 2014, pp. 1-92, available at least as early as Jun. 30, 2014.

Catalog, "Product Guide," Mueller Sports Medicine, 2016, pp. 1-92, available at least as early as Dec. 31, 2016.

International Search Report from PCT Application No. PCT/US2017/046028, dated Nov. 7, 2017.

Product Information, "GenuForce," DJO Global, retrieved from www.djoglobal.com/products/donjoy/genuforce, downloaded Nov. 9, 2017, 3 Pages.

Product Information, "Genumedi & Genumedi Extra Wide," Medi, retrieved from <https://mediusa.com/portfolio-item/genumedi/>, downloaded Nov. 9, 2017, 5 Pages.

Product Information, "Genumedi pro," Medi, retrieved from <http://mediusa.com/portfolio-item/genumedi-pro/>, downloaded Nov. 9, 2017, 5 Pages.

Product Information, "Genumedi PT," Medi, retrieved from <http://mediusa.com/portfolio-item/genumedi-pt/>, downloaded Nov. 9, 2017, 5 Pages.

Product Information, "GenuTrain P3," Bauerfeind, downloaded Nov. 9, 2017, 3 Pages.

Product Information, "Lumbamed Basic," Medi, retrieved from <http://mediusa.com/portfolio-item/lumbamed-basic/>, downloaded Nov. 9, 2017, 5 Pages.

Product Information, "Lumbamed Plus," Medi, retrieved from <http://mediusa.com/portfolio-item/lumbamed-plus/>, downloaded Nov. 9, 2017, 7 Pages.

Product Information, "LumboTrain Lady," Bauerfeind, downloaded Nov. 9, 2017, 3 Pages.

Product Information, "LumboTrain," Bauerfeind, downloaded Nov. 9, 2017, 3 Pages.

Product Information, "MalleoTrain," Bauerfeind, downloaded Nov. 9, 2017, 3 Pages.

Product Information, "Sports Ankle Support Dynamic," Bauerfeind, downloaded Nov. 9, 2017, 2 Pages.

Product Information, "Sports Back Support," Bauerfeind, downloaded Nov. 9, 2017, 3 Pages.

Product Information, "Sports Elbow Support," Bauerfeind, downloaded Nov. 9, 2017, 4 Pages.

Product Information, "Sports Knee Support," Bauerfeind, downloaded Nov. 9, 2017, 3 Pages.

* cited by examiner

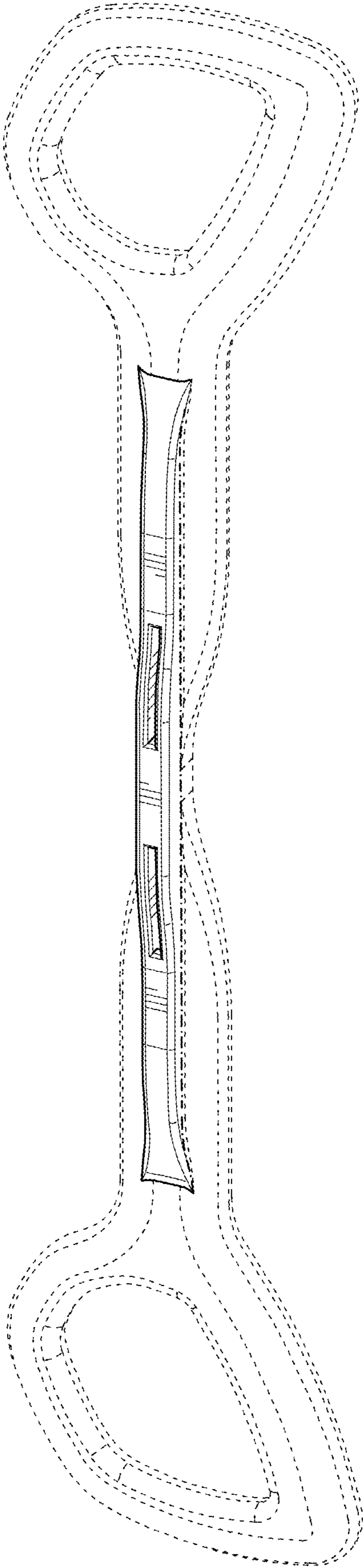


FIG. 1

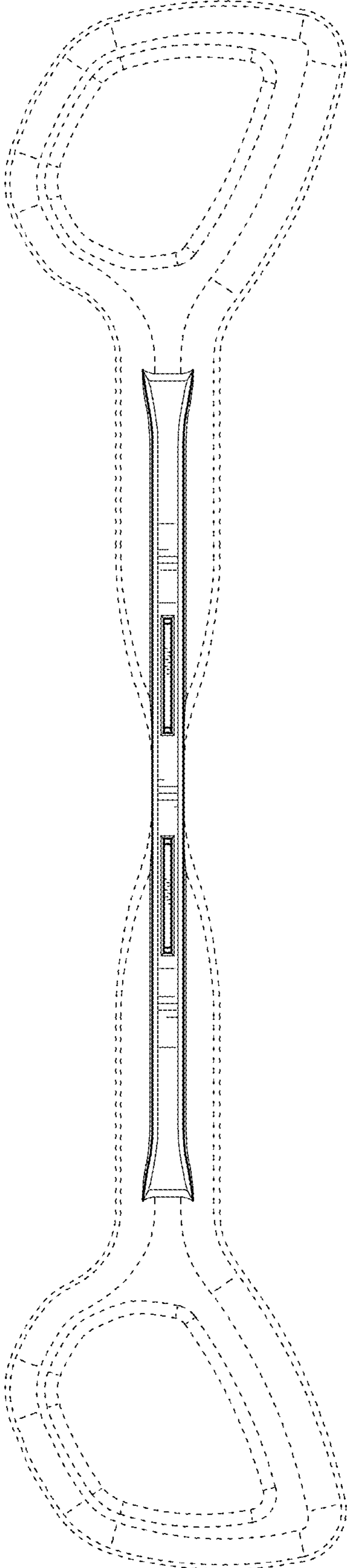


FIG. 2

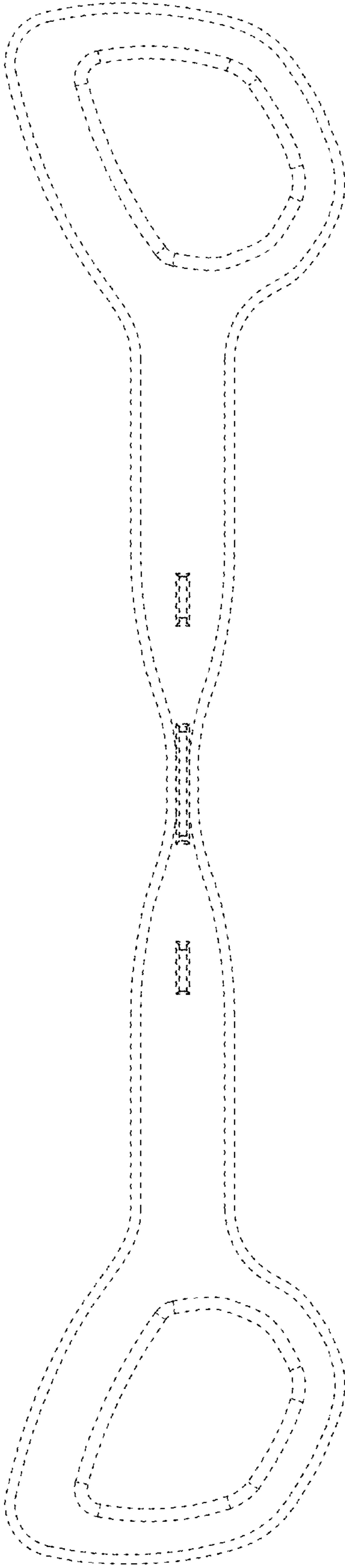


FIG. 3

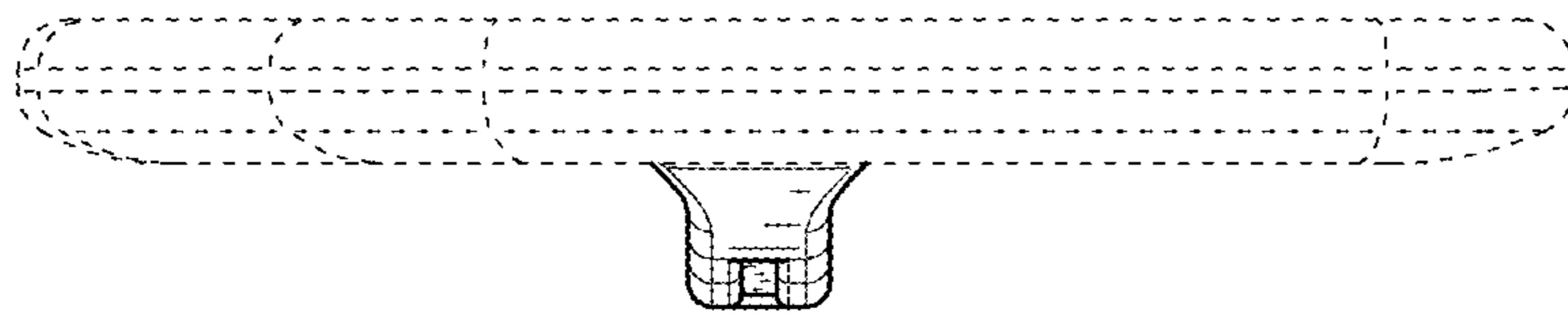


FIG. 4

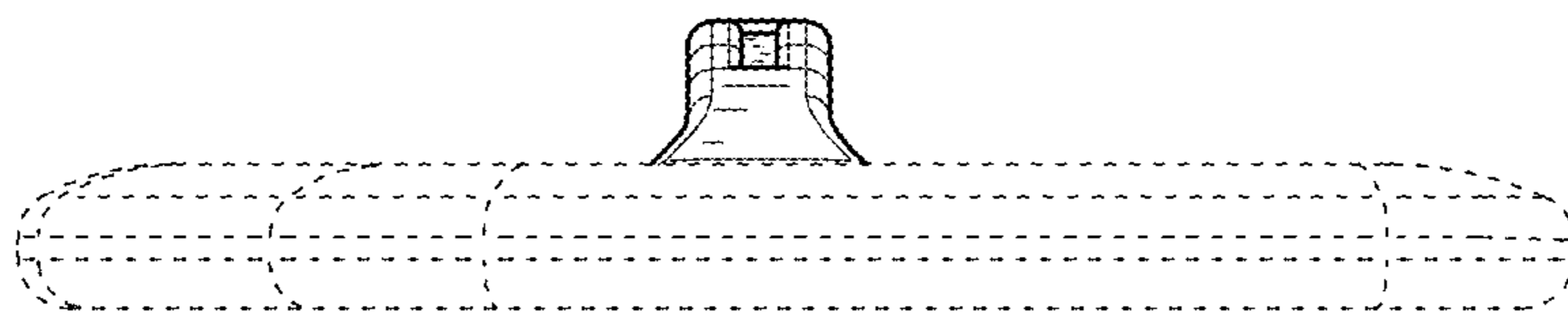


FIG. 5

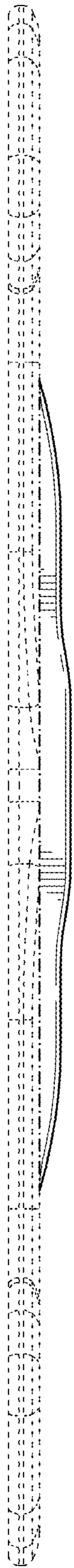


FIG. 6

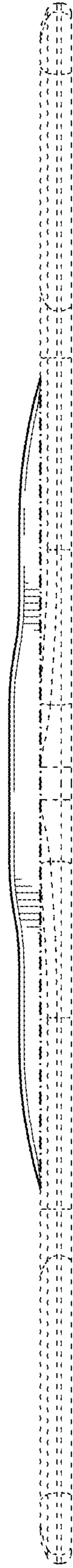


FIG. 7