



US00D933236S

(12) **United States Design Patent**  
**Inoue et al.**

(10) **Patent No.:** **US D933,236 S**  
(45) **Date of Patent:** **\*\* Oct. 12, 2021**

- (54) **ELECTROCARDIOGRAPH**
- (71) Applicant: **OMRON HEALTHCARE Co., Ltd.**,  
Kyoto (JP)
- (72) Inventors: **Kosuke Inoue**, Kyoto (JP); **Brian Brigham**, Kyoto (JP)
- (73) Assignee: **OMRON HEALTHCARE Co., Ltd.**
- (\*\*) Term: **15 Years**
- (21) Appl. No.: **29/717,413**
- (22) Filed: **Dec. 17, 2019**
- (30) **Foreign Application Priority Data**
  - Jun. 27, 2019 (JP) ..... 2019-014388
  - Jun. 27, 2019 (JP) ..... 2019-014389
- (51) **LOC (13) Cl.** ..... **24-01**
- (52) **U.S. Cl.**  
USPC ..... **D24/168**
- (58) **Field of Classification Search**  
USPC ..... D24/107, 164–168, 184, 186, 187, 232;  
D10/75, 32; D13/107–108; D14/344;  
D11/3  
CPC .. A61B 5/02; A61B 5/28; A61B 5/305; A61B  
5/318; A61B 5/332; A61B 5/02055; A61B  
2560/0425; A61B 5/0245; A61B 5/0255  
See application file for complete search history.

- D407,492 S \* 3/1999 Lubs ..... D24/165
- D449,890 S \* 10/2001 Semeriva ..... D24/165
- D525,710 S \* 7/2006 Kobayashi ..... D24/165
- D535,028 S \* 1/2007 Kobayashi ..... D24/165
- D720,328 S \* 12/2014 Shigeno ..... D14/159
- D811,596 S \* 2/2018 Verbrugge ..... D24/164
- D811,597 S \* 2/2018 Verbrugge ..... D24/165
- D827,832 S \* 9/2018 Fischer ..... D24/167
- D915,599 S \* 4/2021 Luo ..... D24/165
- 2017/0143221 A1 \* 5/2017 Shinozaki ..... A61B 5/316
- 2020/0315480 A1 \* 10/2020 Hwang ..... A61B 5/02055

\* cited by examiner

*Primary Examiner* — Lilyana Bekic  
*Assistant Examiner* — Mary Shannon Malley  
(74) *Attorney, Agent, or Firm* — Saidman DesignLaw Group, LLC

(57) **CLAIM**

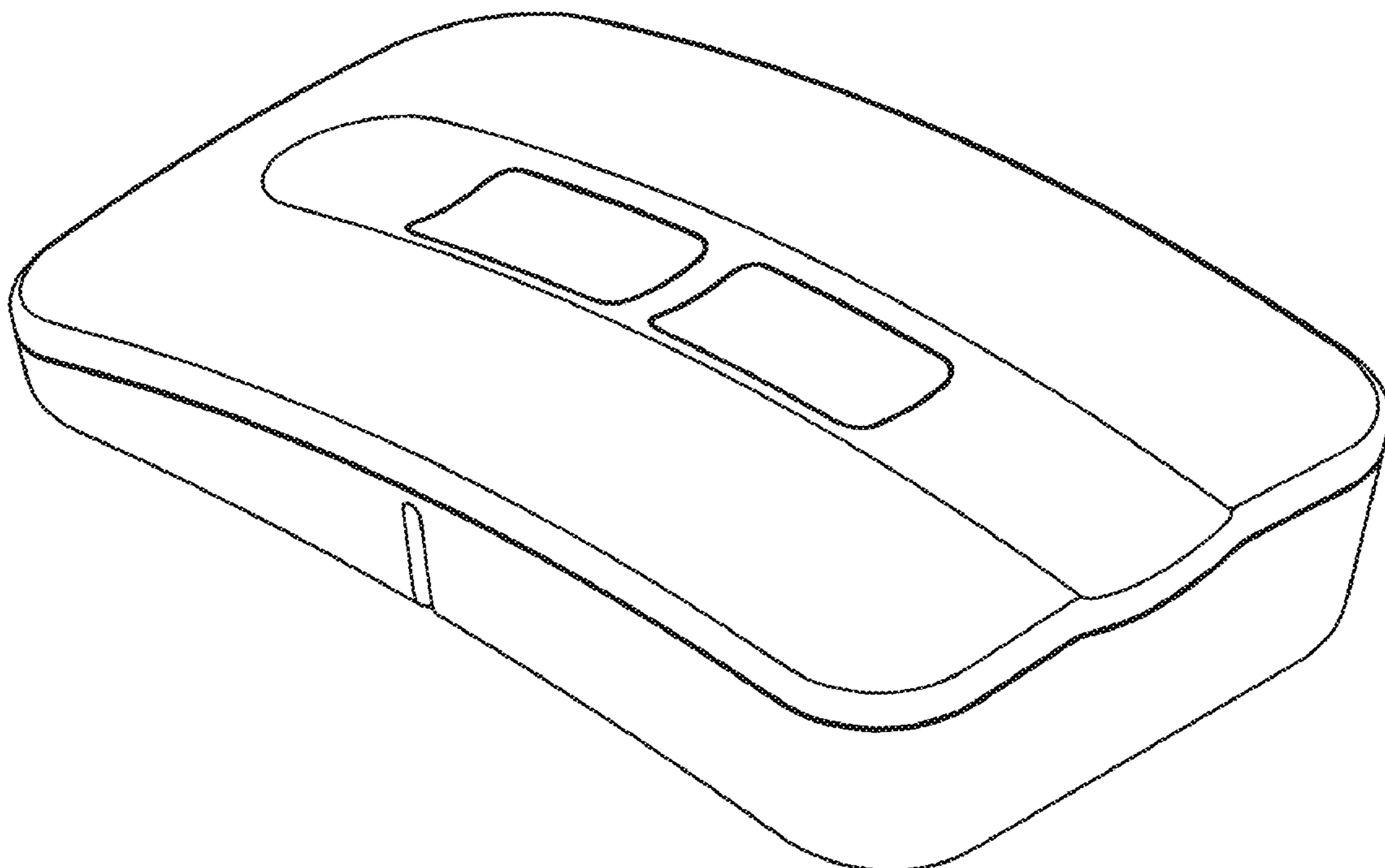
The ornamental design for an electrocardiograph, as shown and described.

**DESCRIPTION**

FIG. 1 is a perspective view of an electrocardiograph showing our new design;  
FIG. 2 is another perspective view thereof;  
FIG. 3 is a front view thereof;  
FIG. 4 is a rear view thereof;  
FIG. 5 is a left side view thereof;  
FIG. 6 is a right side view thereof;  
FIG. 7 is a top view thereof; and,  
FIG. 8 is a bottom view thereof.

**1 Claim, 8 Drawing Sheets**

- (56) **References Cited**  
U.S. PATENT DOCUMENTS  
D373,419 S \* 9/1996 Muramatsu ..... D24/165  
D378,414 S \* 3/1997 Allen ..... D24/165



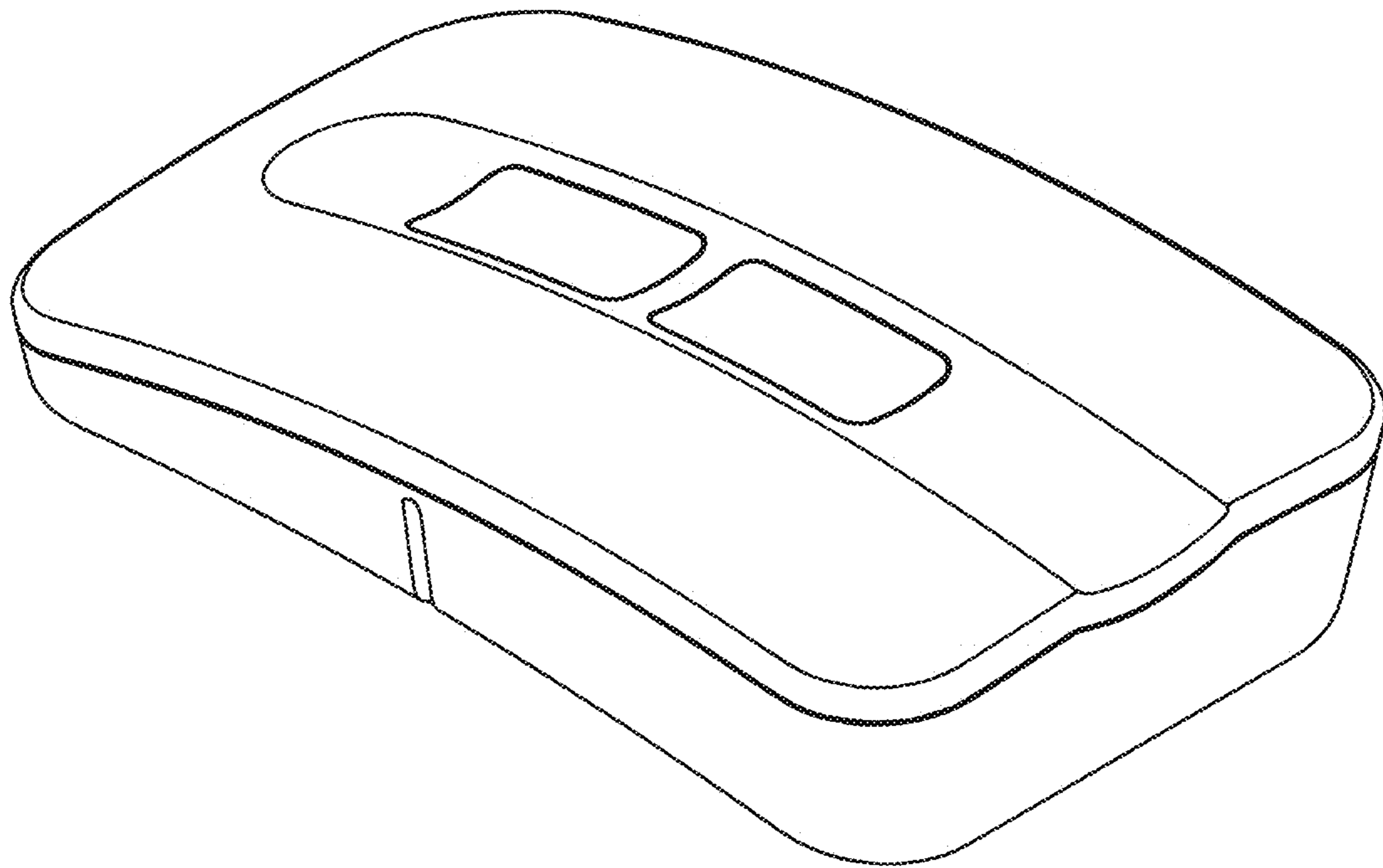


FIG. 1

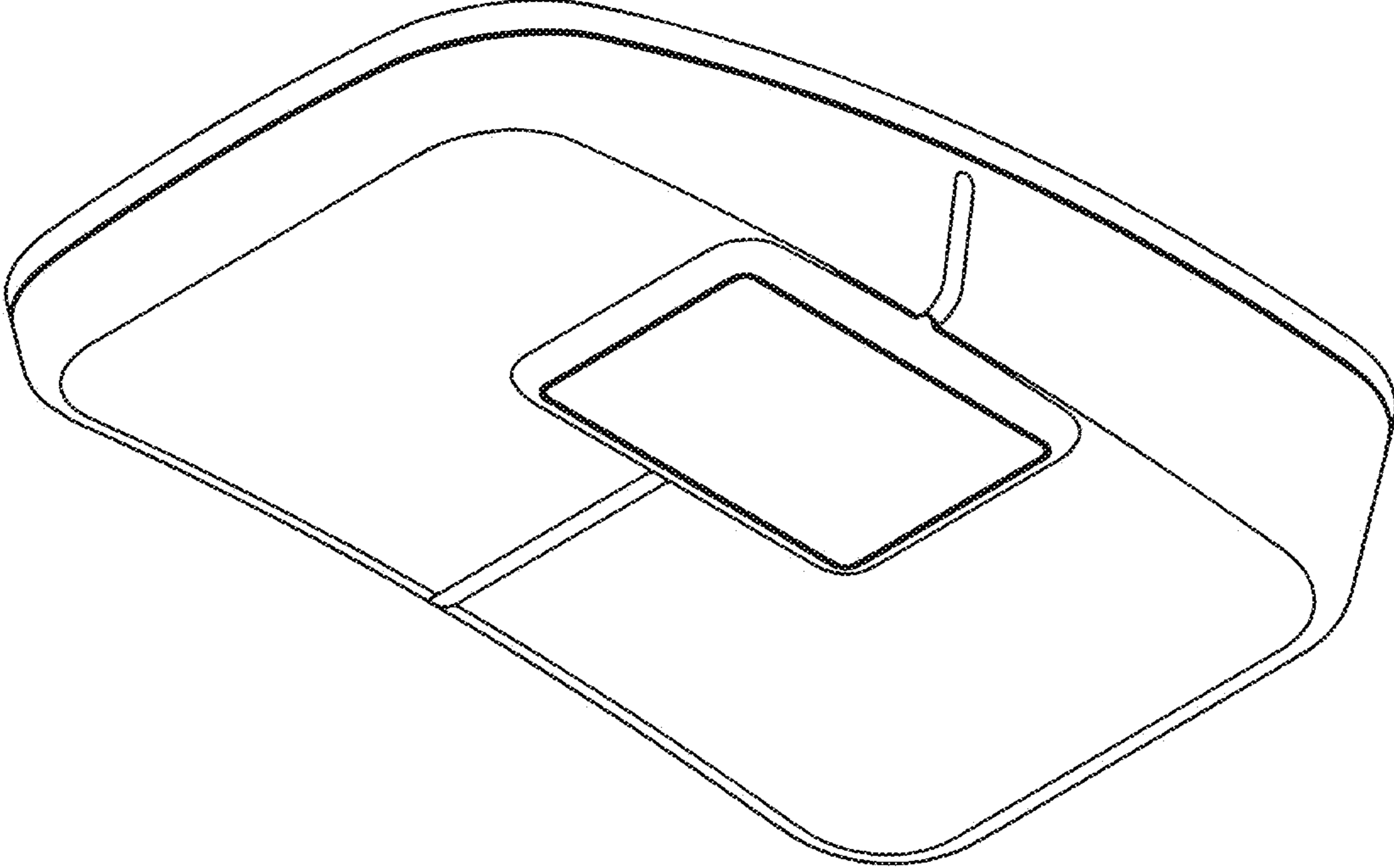


FIG. 2

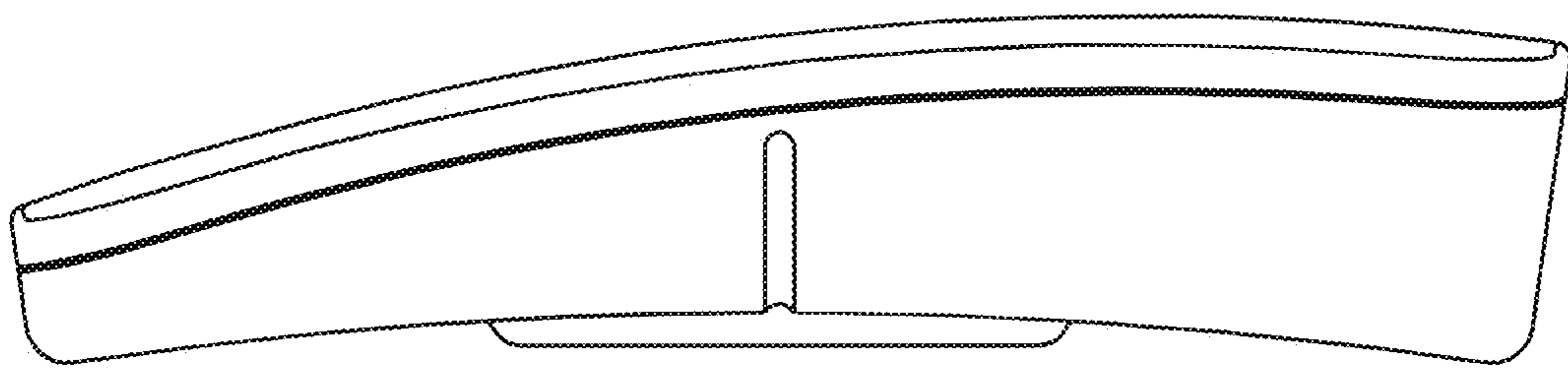


FIG. 3

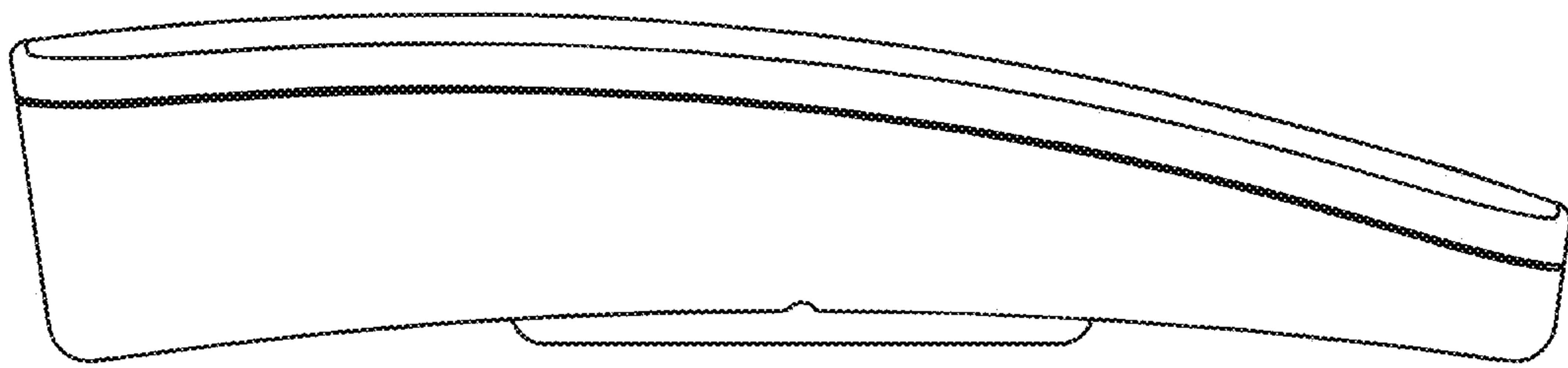


FIG. 4

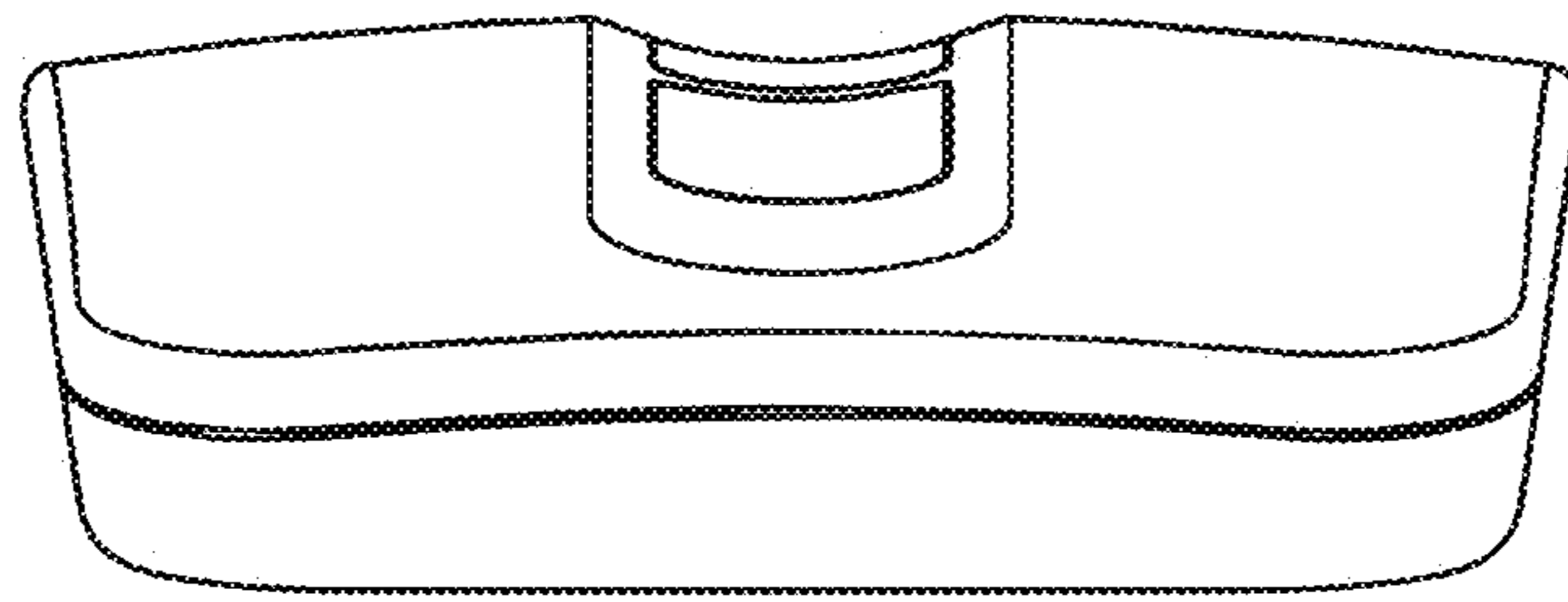


FIG. 5

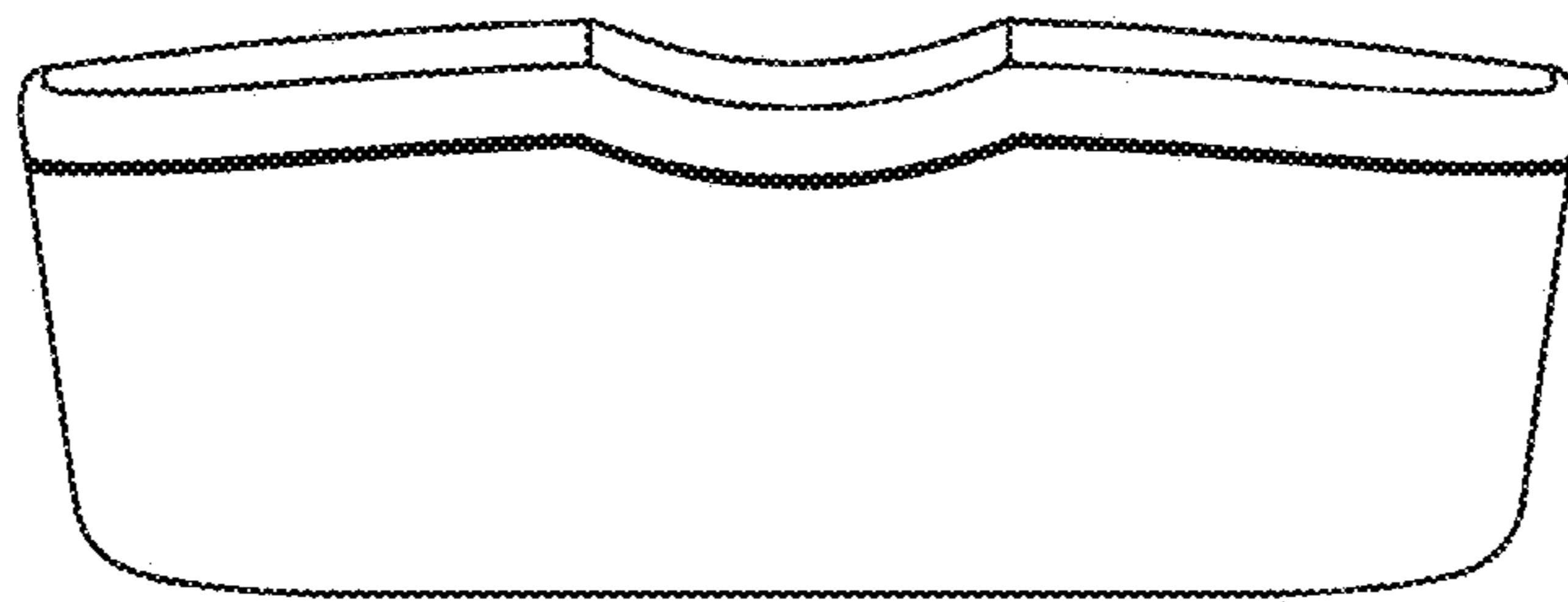


FIG. 6

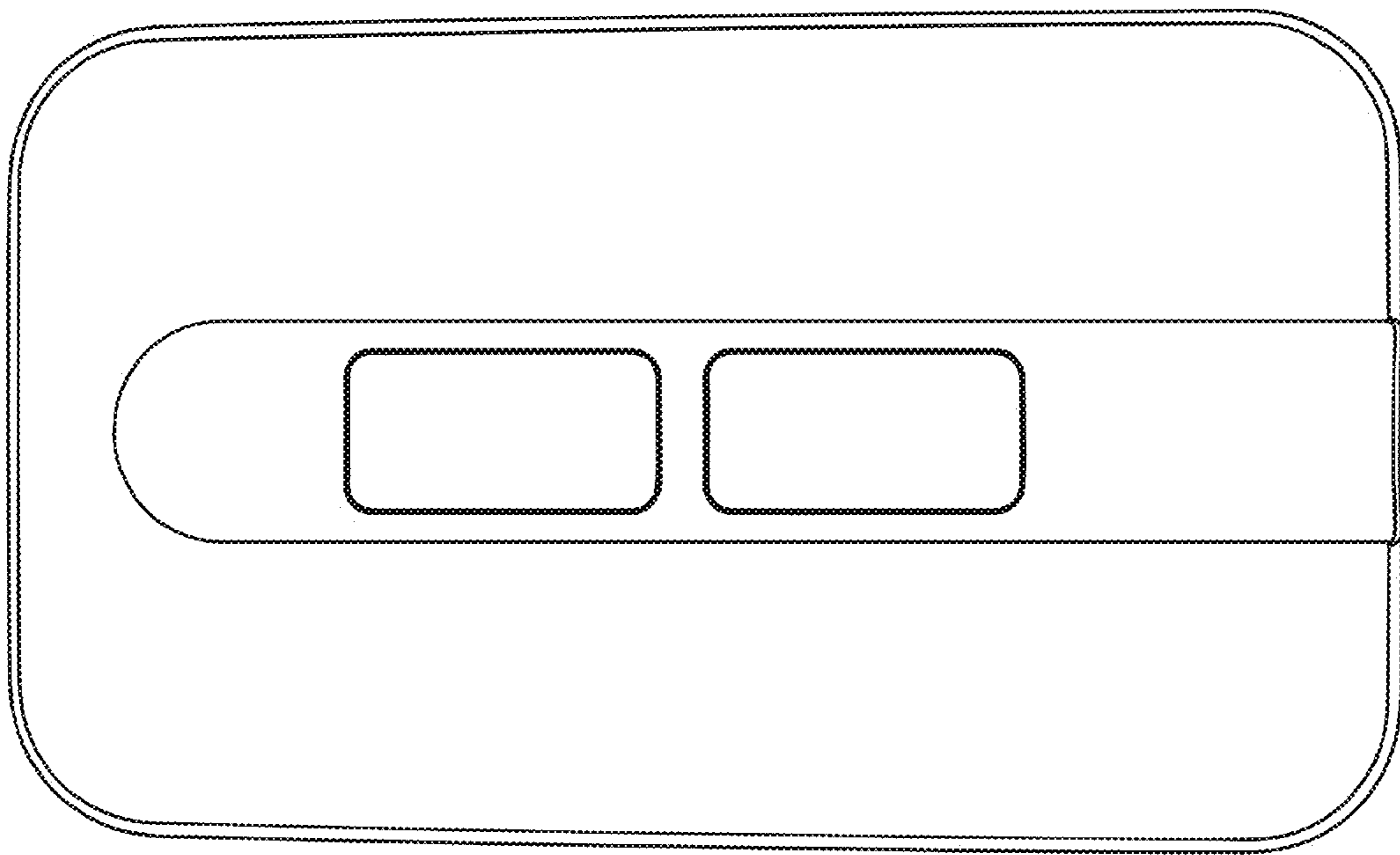


FIG. 7



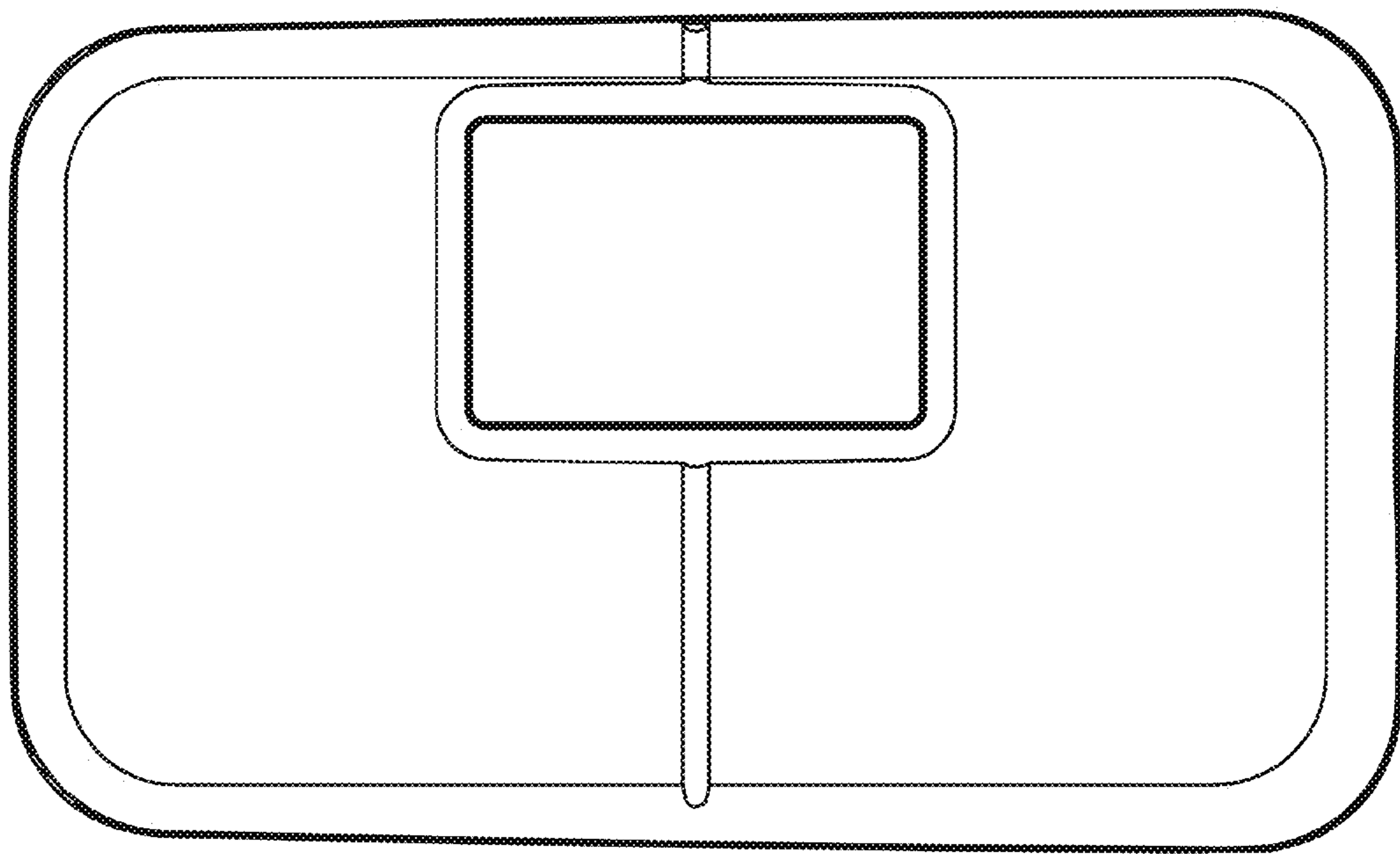


FIG. 8