



US00D933235S

(12) **United States Design Patent** (10) **Patent No.:** **US D933,235 S**
Hwang (45) **Date of Patent:** **** Oct. 12, 2021**

(54) **RING-SHAPED ELECTROCARDIOGRAPHIC DEVICE**

(71) Applicant: **HEXACHECK INC.**, Daejeon (KR)

(72) Inventor: **In-Duk Hwang**, Sejong (KR)

(73) Assignee: **HEXACHECK INC.**, Daejeon (KR)

(**) Term: **15 Years**

(21) Appl. No.: **35/509,730**

(22) Filed: **Jan. 3, 2020**

(80) **Hague Agreement Data**

Int. Filing Date: **Jan. 3, 2020**

Int. Reg. No.: **DM/205798**

Int. Reg. Date: **Jan. 3, 2020**

Int. Reg. Pub. Date: **Jul. 3, 2020**

(30) **Foreign Application Priority Data**

Jul. 4, 2019 (KR) 30-2019-0032232

(51) **LOC (13) Cl.** **24-02**

(52) **U.S. Cl.**
USPC **D24/167; D14/344**

(58) **Field of Classification Search**

USPC D24/187-190, 167, 186; D10/15, 28,
D10/30-32, 38, 39, 128, 132; D11/3, 4,
D11/200, 26; D13/107; D14/138 R, 139,
D14/144, 344; D18/4.5

CPC G04B 37/0008; A44C 5/00; A44C 5/0015;
A44C 5/2042; A61B 5/1118; A61B 5/681;
A61B 5/6898; A61B 5/316; A61B 5/002;
A61B 5/02055; A61B 5/0006; A61B
5/14532; A61B 5/6826; A61B 5/6838

See application file for complete search history.

(56) **References Cited**

U.S. PATENT DOCUMENTS

D664,880 S * 8/2012 Cobbett D11/3

D664,881 S * 8/2012 Cobbett D11/3

D726,057 S * 4/2015 Wai D11/4
D729,079 S * 5/2015 Phillips D10/70
D729,088 S * 5/2015 Phillips D10/103
D738,769 S * 9/2015 Tan D11/3
D756,999 S * 5/2016 von Badinski D14/344
D763,254 S * 8/2016 Aumiller D14/344
D772,867 S * 11/2016 Park D14/344
D772,869 S * 11/2016 Iizuka D14/344
D772,870 S * 11/2016 Park D14/344

(Continued)

OTHER PUBLICATIONS

Medium. How Smart Band Adds Capabilities for the Apple Watch.
Aug. 24, 2020. <https://medium.com/swlh/how-smart-band-adds-capabilities-for-the-apple-watch-51e6a41aa1a8> (Year: 2020).*

(Continued)

Primary Examiner — Darcey E Gottschalk

(74) *Attorney, Agent, or Firm* — IPLA P.A.

(57) **CLAIM**

The ornamental design for a ring-shaped electrocardio-graphic device, as shown and described.

DESCRIPTION

1. Ring-shaped electrocardiographic device

1.1 : Perspective

1.2 : Front

1.3: Back

1.4 : Left

1.5: Right

1.6: Top

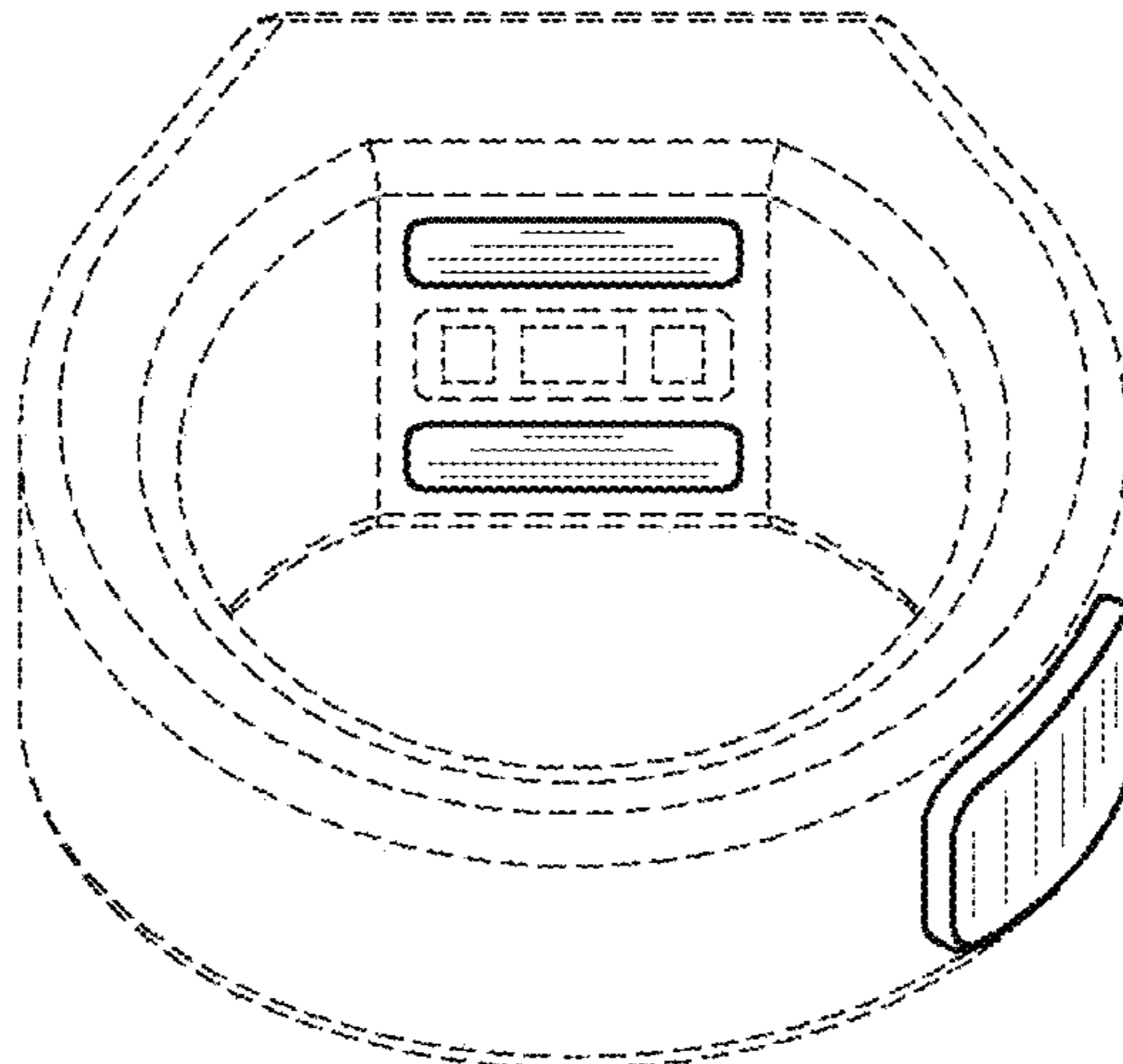
1.7: Bottom

1.8 : Perspective

1.9 : Perspective

The dashed broken lines in the figures show portions of the ring-shaped electrocardiographic device that form no part of the claimed design; the shade lines in the figures show contour but do not represent surface ornamentation.

1 Claim, 9 Drawing Sheets



(56)

References Cited

U.S. PATENT DOCUMENTS

D773,049 S * 11/2016 Wimmer, IV D24/167
D773,050 S * 11/2016 Wimmer, IV D24/167
D779,989 S * 2/2017 Lee D11/3
D779,994 S * 2/2017 Roberts D11/3
D791,764 S * 7/2017 von Badinski D14/344
D913,499 S * 3/2021 Hwang D24/167
D915,600 S * 4/2021 Hwang D24/167
D918,392 S * 5/2021 Hwang D24/167
D919,095 S * 5/2021 Hwang D24/167
2020/0315480 A1 * 10/2020 Hwang A61B 5/02055
2020/0367827 A1 * 11/2020 Min G06F 3/01

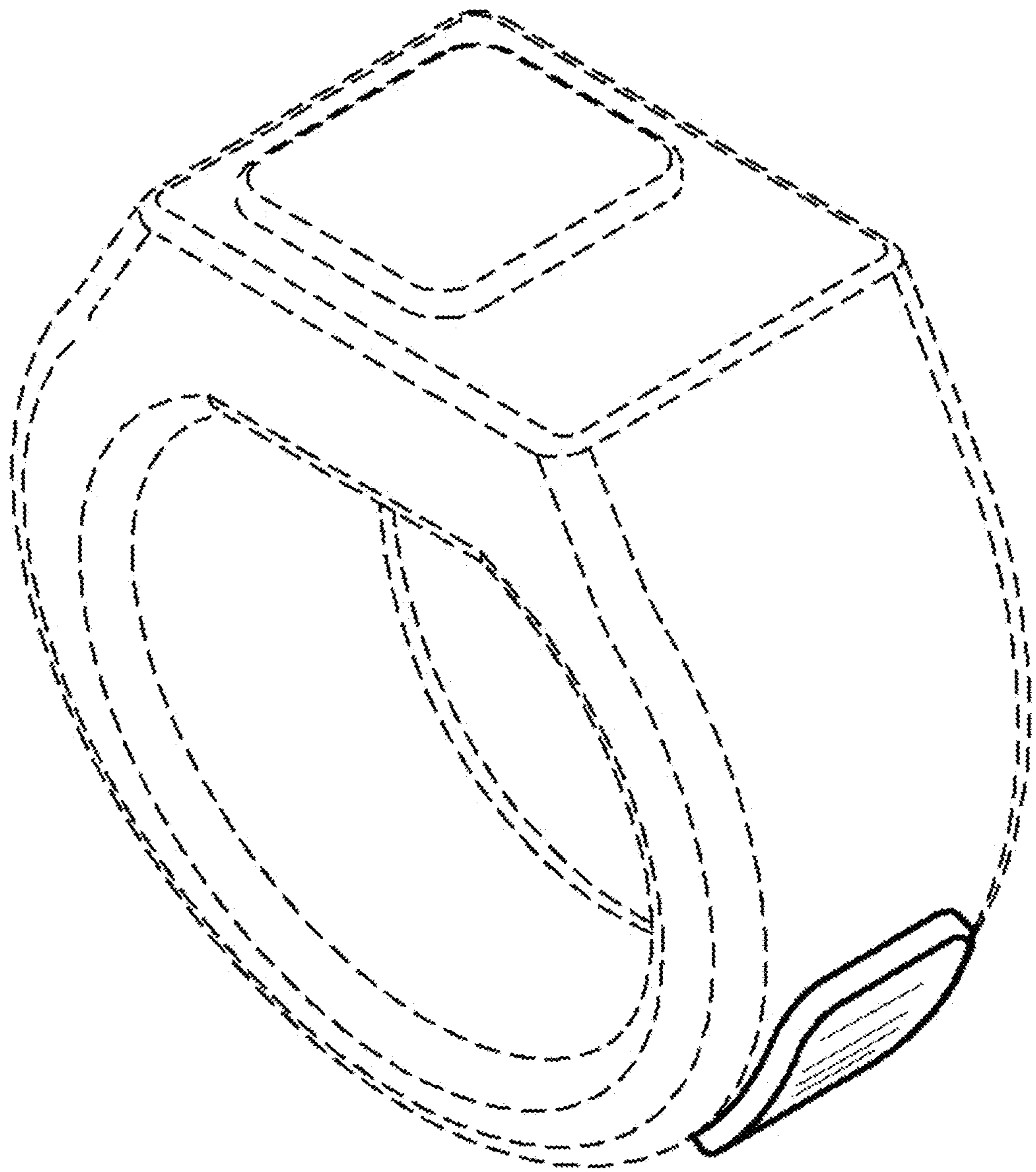
OTHER PUBLICATIONS

Amazon. Wellue O2Ring Wearable Sleep Monitor—Bluetooth Health Tracker with Free APP & PC Report. Sep. 3, 2020. <https://www.amazon.com/Wellue-O2Ring-Wearable-Sleep-Monitor/dp/B08HDGBF7P> (Year: 2020).*

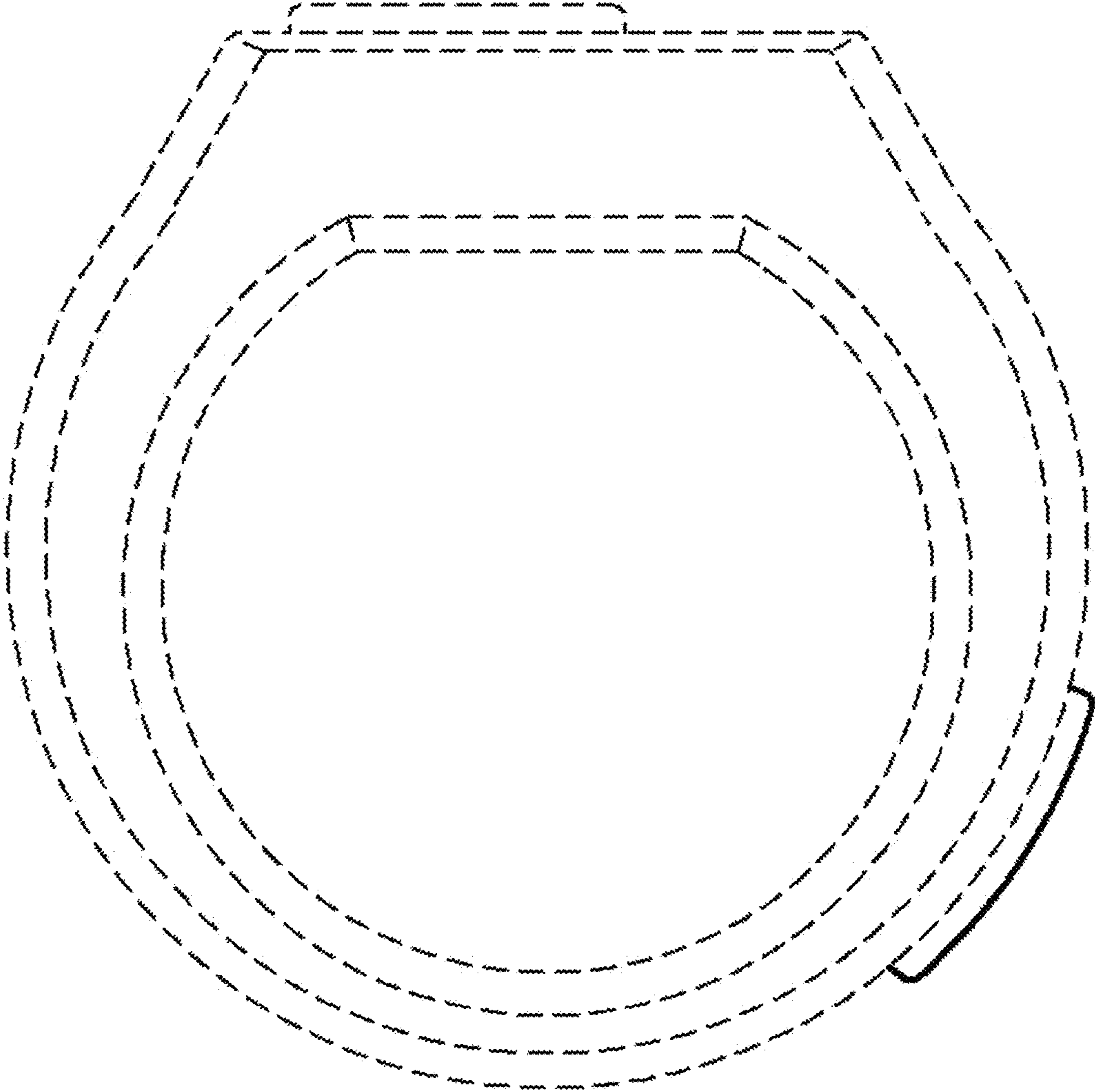
Virginia Science & Technology Campus. GW Faculty Member Receives Gov. McAuliffe's Research Commercialization Award. Jul. 12, 2015. <https://virginia.gwu.edu/gw-faculty-member-receives-gov-mcauliffes-research-commercialization-award> (Year: 2015).*

* cited by examiner

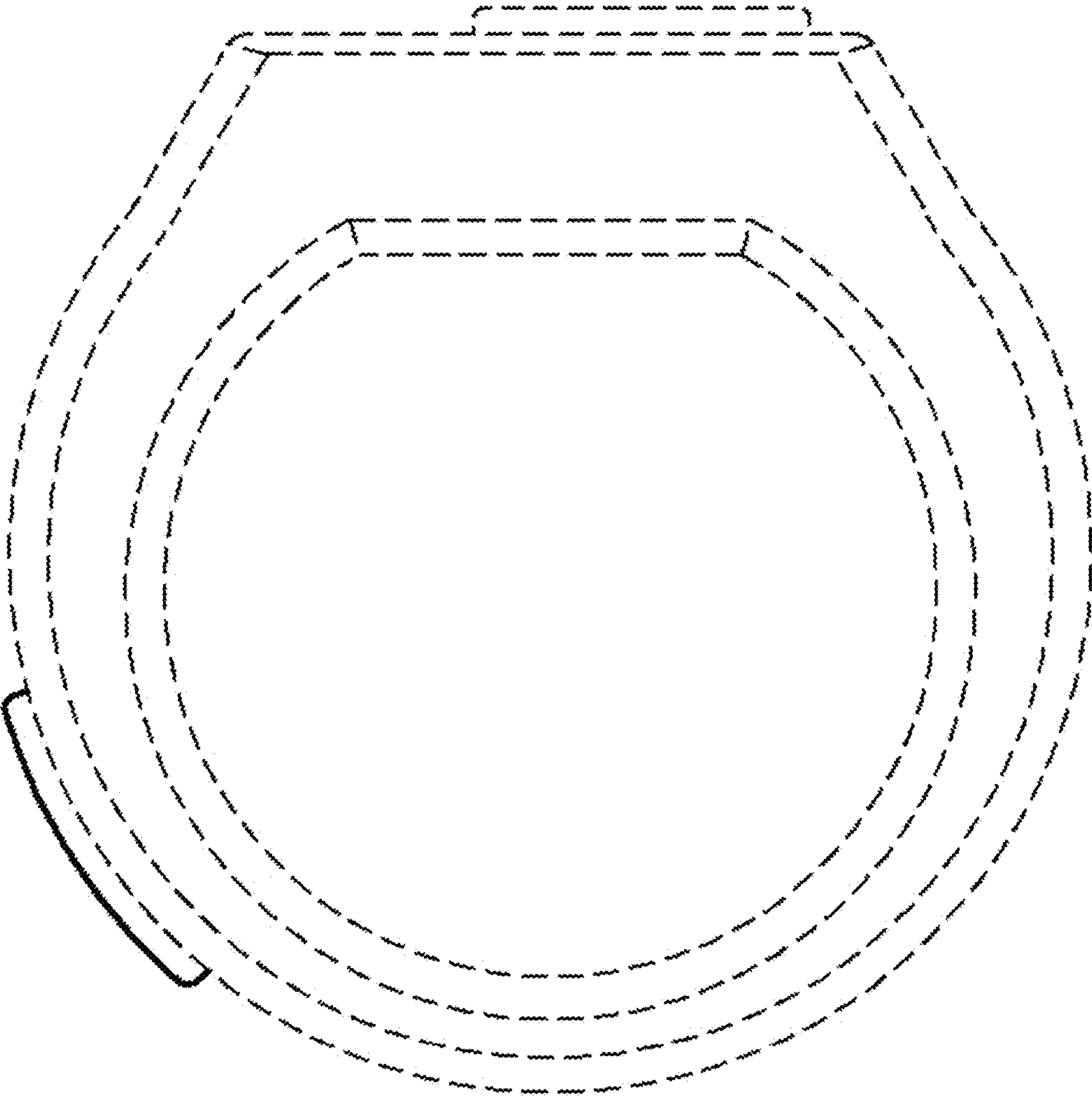
1.1



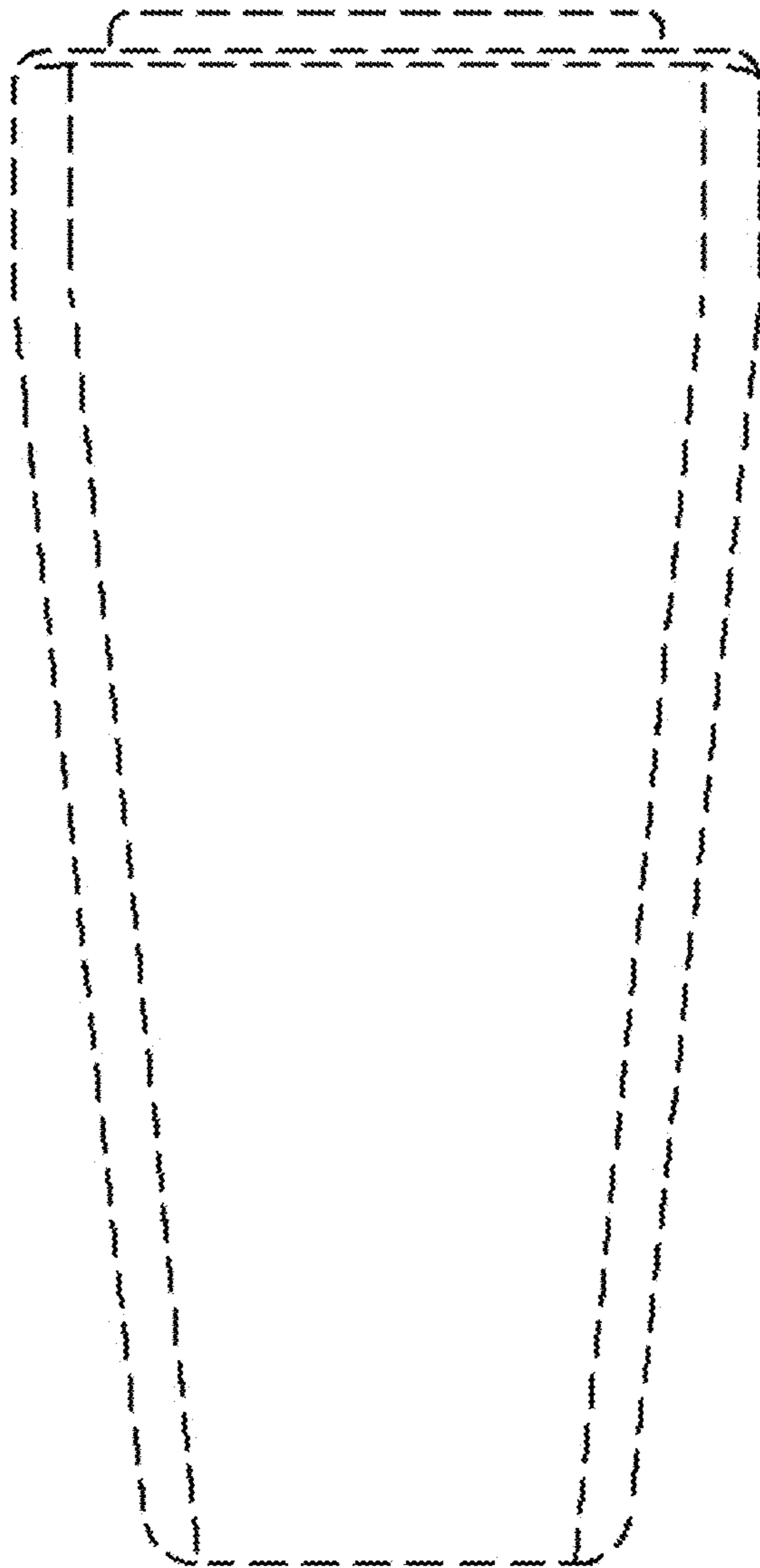
1.2



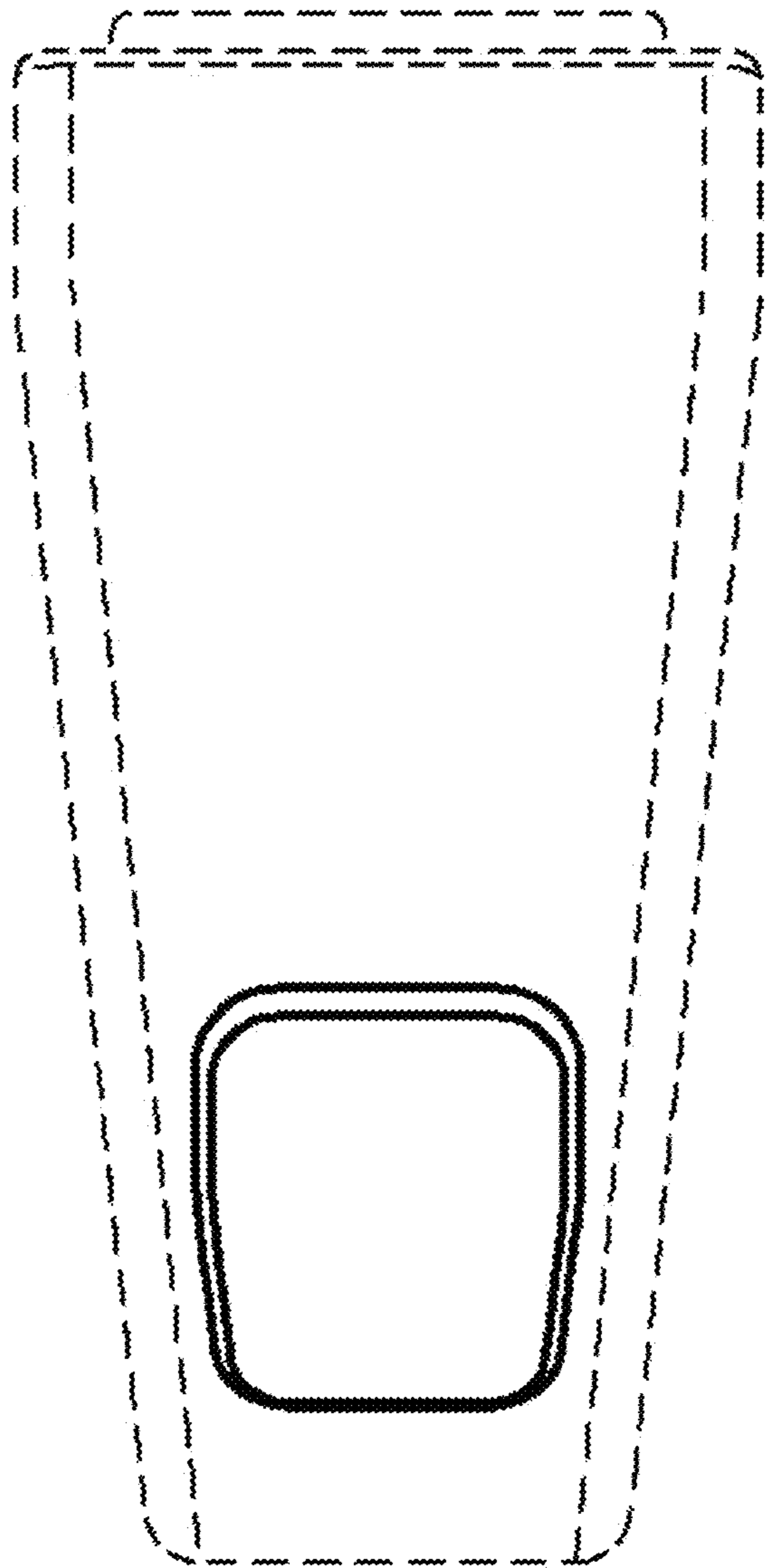
1.3



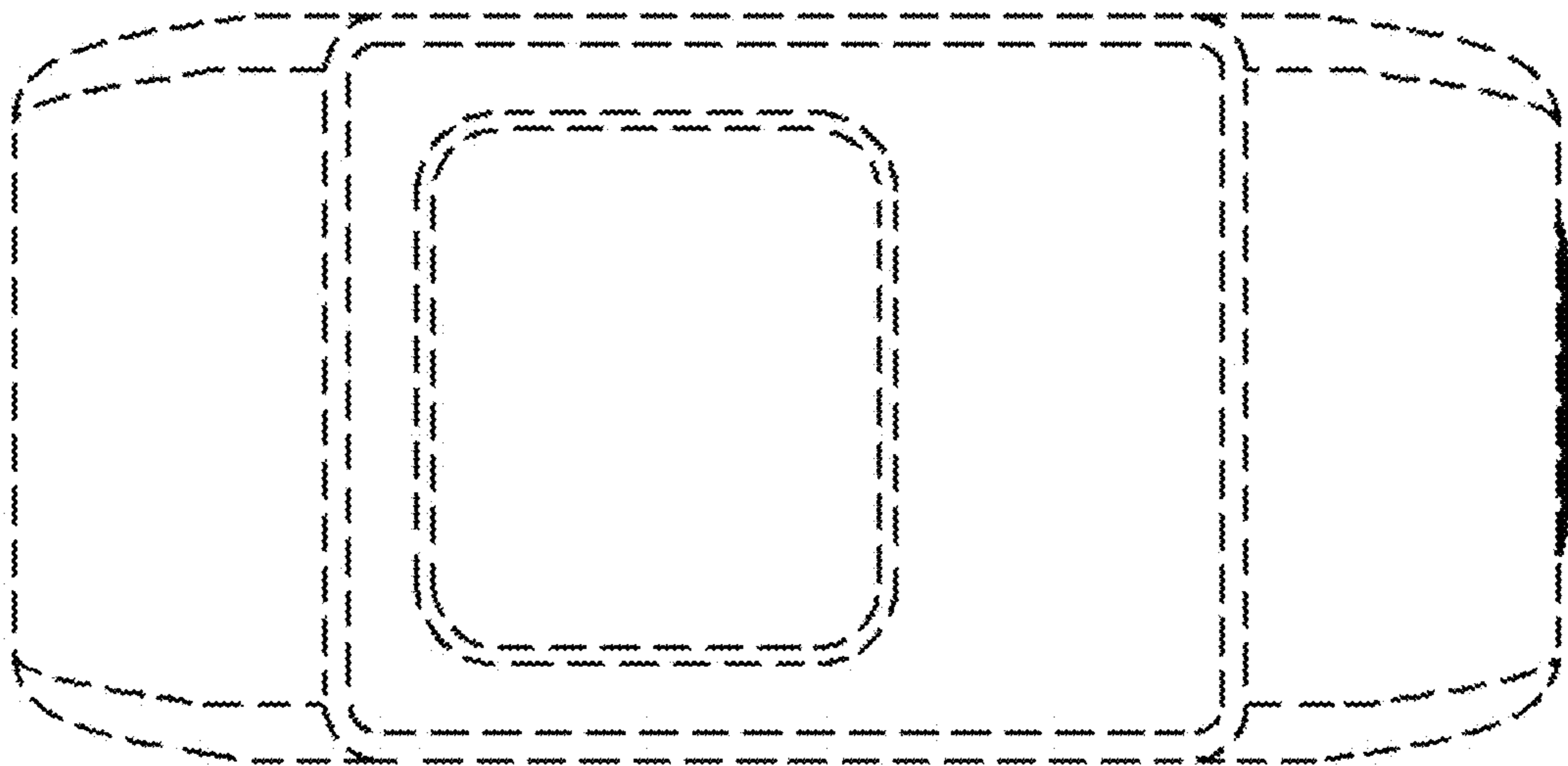
1.4



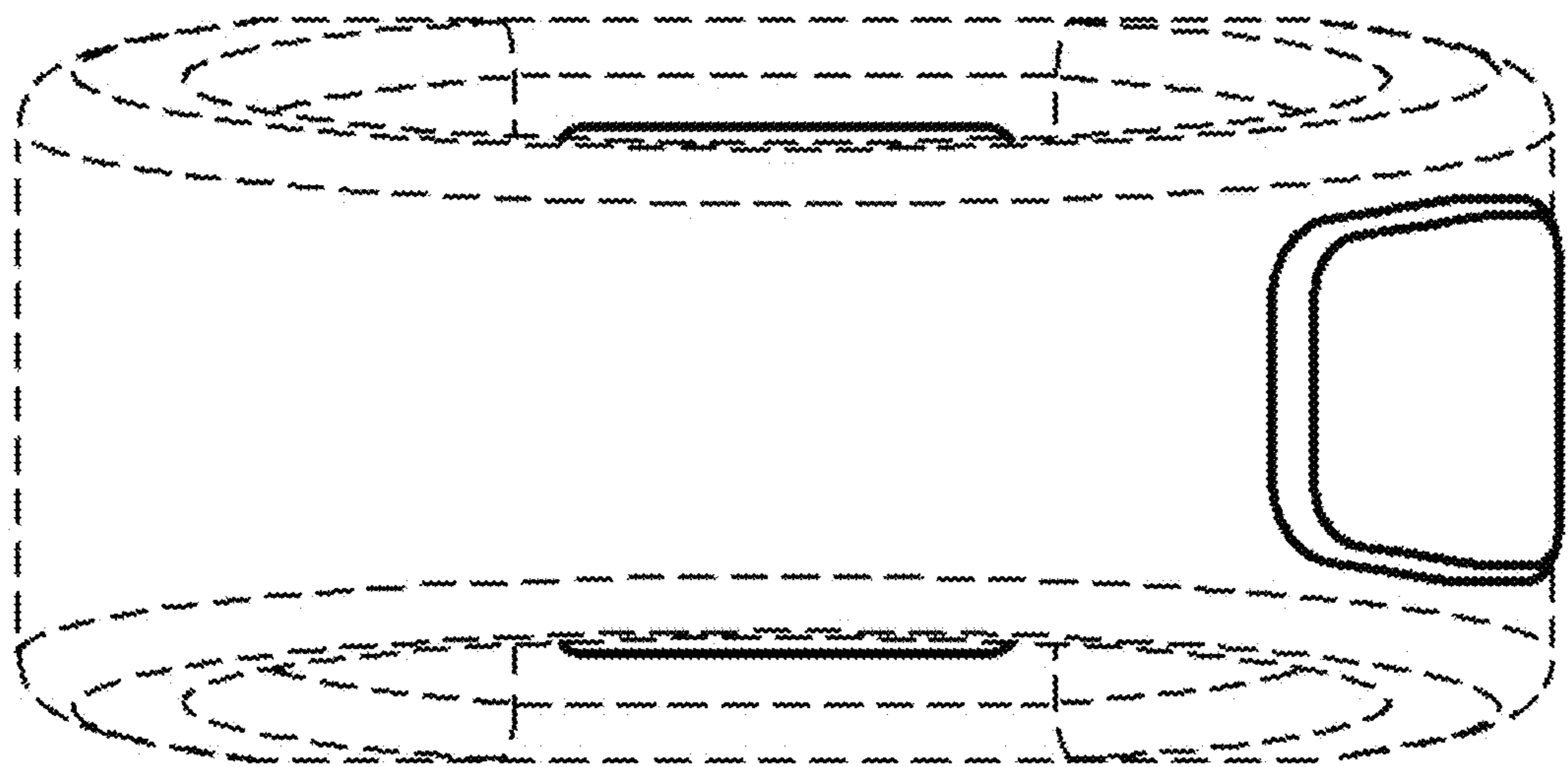
1.5



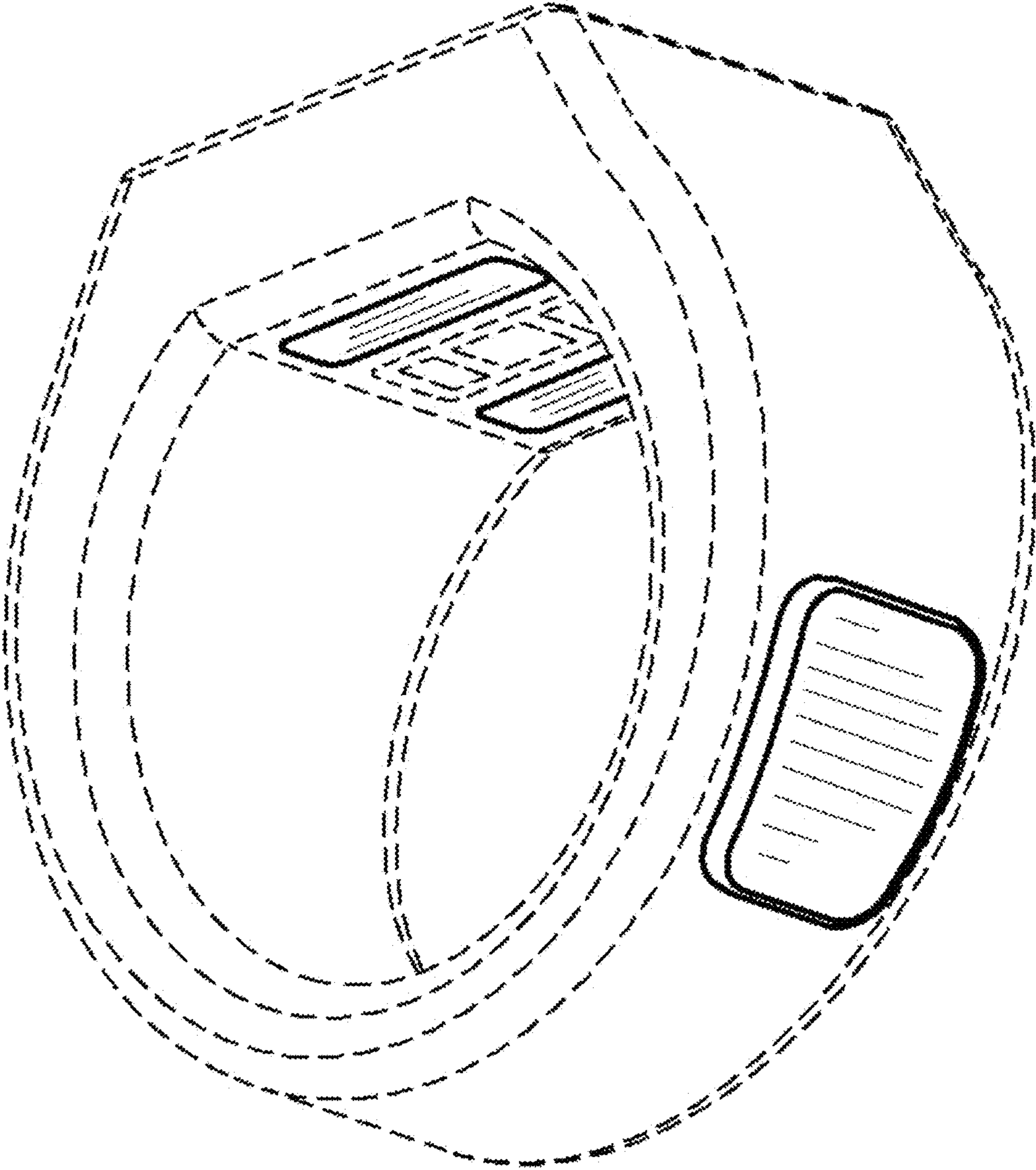
1.6



1.7



1.8



1.9

