



US00D933232S

(12) **United States Design Patent** (10) **Patent No.:** **US D933,232 S**
Al-Ali et al. (45) **Date of Patent:** **** Oct. 12, 2021**

(54) **BLOOD PRESSURE MONITOR**

FOREIGN PATENT DOCUMENTS

(71) Applicant: **Masimo Corporation**, Irvine, CA (US)

EP 3 430 980 1/2019
EP 3 488 776 5/2019

(72) Inventors: **Ammar Al-Ali**, San Juan Capistrano, CA (US); **Chad A. DeJong**, Los Angeles, CA (US); **Valery G. Telfort**, Irvine, CA (US); **Kesu Wang**, Irvine, CA (US)

(Continued)

OTHER PUBLICATIONS

(73) Assignee: **MASIMO CORPORATION**, Irvine, CA (US)

International Search Report and Written Opinion received in PCT Application No. PCT/US2020/028542 dated Sep. 7, 2020 in 19 pages.

(**) Term: **15 Years**

Primary Examiner — Anhdao Doan

(21) Appl. No.: **29/734,321**

(74) *Attorney, Agent, or Firm* — Knobbe, Martens, Olson & Bear, LLP

(22) Filed: **May 11, 2020**

(51) **LOC (13) Cl.** **24-02**

(57) **CLAIM**

(52) **U.S. Cl.**
USPC **D24/165**

The ornamental design for a blood pressure monitor, as shown and described.

(58) **Field of Classification Search**
USPC D24/107, 164, 165–169, 186, 187;
D10/75, 70, 98

DESCRIPTION

CPC A61B 5/0402; A61B 5/0404; A61B 5/021;
A61B 5/024; A61B 5/02438; A61B
5/681; A61B 2560/0205; A61B
2560/0462
See application file for complete search history.

FIG. 1 is a perspective view of a first embodiment of a blood pressure monitor embodying our new design;
FIG. 2 is top view thereof;
FIG. 3 is bottom view thereof;
FIG. 4 is a side view thereof;
FIG. 5 is another side view thereof;
FIG. 6 is a front view thereof;
FIG. 7 is a back view thereof;
FIG. 8 is a perspective view thereof in a condition of use;
and,
FIG. 9 is a perspective view thereof in another condition of use.

(56) **References Cited**

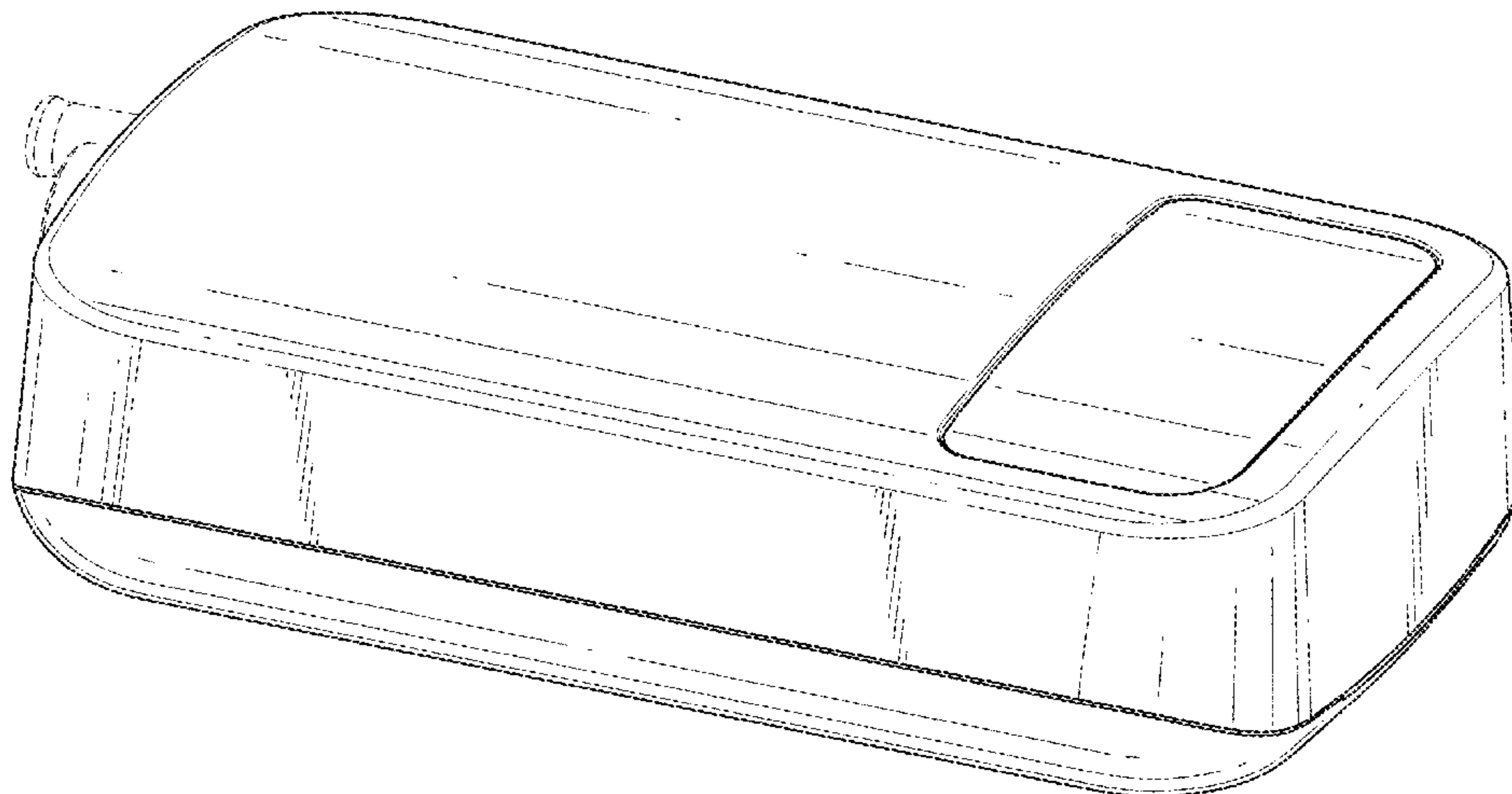
U.S. PATENT DOCUMENTS

4,960,128 A 10/1990 Gordon et al.
4,964,408 A 10/1990 Hink et al.
D324,570 S 3/1992 Arioka et al.
D334,973 S 4/1993 Valentine et al.
D346,798 S 5/1994 Nagele
5,319,355 A 6/1994 Russek
5,337,744 A 8/1994 Branigan
5,341,805 A 8/1994 Stavridi et al.
D353,195 S 12/1994 Savage et al.
D353,196 S 12/1994 Savage et al.
5,377,676 A 1/1995 Vari et al.
D359,546 S 6/1995 Savage et al.

The broken lines illustrate portions of the blood pressure monitor that form no part of the claimed design, and the additional broken lines in FIGS. 8 and 9 represent environmental subject matter and form no part of the claimed design.

(Continued)

1 Claim, 6 Drawing Sheets



(56)

References Cited

U.S. PATENT DOCUMENTS

5,431,170 A	7/1995	Mathews	6,639,668 B1	10/2003	Trepagnier
5,436,499 A	7/1995	Namavar et al.	6,640,116 B2	10/2003	Diab
D361,840 S	8/1995	Savage et al.	6,640,117 B2	10/2003	Makarewicz et al.
D362,063 S	9/1995	Savage et al.	6,658,276 B2	12/2003	Kiani et al.
D363,120 S	10/1995	Savage et al.	6,661,161 B1	12/2003	Lanzo et al.
5,456,252 A	10/1995	Vari et al.	D486,785 S	2/2004	Shindo
5,479,934 A	1/1996	Imran	6,697,656 B1	2/2004	Al-Ali
5,482,036 A	1/1996	Diab et al.	6,697,658 B2	2/2004	Al-Ali
5,494,043 A	2/1996	O'Sullivan et al.	RE38,476 E	3/2004	Diab et al.
5,533,511 A	7/1996	Kaspari et al.	RE38,492 E	4/2004	Diab et al.
5,561,275 A	10/1996	Savage et al.	6,735,379 B2	5/2004	Salmon et al.
5,590,649 A	1/1997	Caro et al.	6,738,652 B2	5/2004	Mattu et al.
5,602,924 A	2/1997	Durand et al.	6,760,607 B2	7/2004	Al-Ali
5,638,816 A	6/1997	Kiani-Azarbayjany et al.	6,788,965 B2	9/2004	Ruchti et al.
5,638,818 A	6/1997	Diab et al.	6,816,241 B2	11/2004	Grubisic
5,645,440 A	7/1997	Tobler et al.	6,822,564 B2	11/2004	Al-Ali
5,671,914 A	9/1997	Kalkhoran et al.	6,850,787 B2	2/2005	Weber et al.
D385,283 S	10/1997	Snyder et al.	6,850,788 B2	2/2005	Al-Ali
5,726,440 A	3/1998	Kalkhoran et al.	6,876,931 B2	4/2005	Lorenz et al.
D393,830 S	4/1998	Tobler et al.	6,920,345 B2	7/2005	Al-Ali et al.
5,743,262 A	4/1998	Lepper, Jr. et al.	6,934,570 B2	8/2005	Kiani et al.
5,747,806 A	5/1998	Khalil et al.	6,943,348 B1	9/2005	Coffin, IV
5,750,994 A	5/1998	Schlager	6,956,649 B2	10/2005	Acosta et al.
5,758,644 A	6/1998	Diab et al.	6,961,598 B2	11/2005	Diab
5,760,910 A	6/1998	Lepper, Jr. et al.	6,970,792 B1	11/2005	Diab
D404,357 S	1/1999	Foster et al.	6,985,764 B2	1/2006	Mason et al.
5,890,929 A	4/1999	Mills et al.	6,990,364 B2	1/2006	Ruchti et al.
5,919,134 A	7/1999	Diab	6,998,247 B2	2/2006	Monfre et al.
D417,189 S	11/1999	Amero, Jr. et al.	7,003,338 B2	2/2006	Weber et al.
5,987,343 A	11/1999	Kinast	7,015,451 B2	3/2006	Dalke et al.
5,997,343 A	12/1999	Mills et al.	7,027,849 B2	4/2006	Al-Ali
6,002,952 A	12/1999	Diab et al.	D526,719 S	8/2006	Richie, Jr. et al.
6,010,937 A	1/2000	Karam et al.	7,096,052 B2	8/2006	Mason et al.
6,027,452 A	2/2000	Flaherty et al.	7,096,054 B2	8/2006	Abdul-Hafiz et al.
6,040,578 A	3/2000	Malin et al.	D529,616 S	10/2006	Deros et al.
6,066,204 A	5/2000	Haven	7,133,710 B2	11/2006	Acosta et al.
D428,387 S	7/2000	Malloy et al.	7,142,901 B2	11/2006	Kiani et al.
6,115,673 A	9/2000	Malin et al.	7,225,006 B2	5/2007	Al-Ali et al.
6,124,597 A	9/2000	Shehada et al.	RE39,672 E	6/2007	Shehada et al.
6,128,521 A	10/2000	Marro et al.	7,254,429 B2	8/2007	Schurman et al.
6,129,675 A	10/2000	Jay	7,254,431 B2	8/2007	Al-Ali et al.
6,144,868 A	11/2000	Parker	7,254,434 B2	8/2007	Schulz et al.
6,152,754 A	11/2000	Gerhardt et al.	7,274,955 B2	9/2007	Kiani et al.
6,184,521 B1	2/2001	Coffin, IV et al.	D554,263 S	10/2007	Al-Ali et al.
6,232,609 B1	5/2001	Snyder et al.	7,280,858 B2	10/2007	Al-Ali et al.
6,241,683 B1	6/2001	Macklem et al.	7,289,835 B2	10/2007	Mansfield et al.
6,255,708 B1	7/2001	Sudharsanan et al.	7,292,883 B2	11/2007	De Felice et al.
6,280,381 B1	8/2001	Malin et al.	D557,814 S	12/2007	Glenn et al.
6,285,896 B1	9/2001	Tobler et al.	7,341,559 B2	3/2008	Schulz et al.
6,308,089 B1	10/2001	von der Ruhr et al.	7,343,186 B2	3/2008	Lamego et al.
6,317,627 B1	11/2001	Ennen et al.	D566,282 S	4/2008	Al-Ali et al.
6,321,100 B1	11/2001	Parker	7,356,365 B2	4/2008	Schurman
6,334,065 B1	12/2001	Al-Ali et al.	7,371,981 B2	5/2008	Abdul-Hafiz
6,360,114 B1	3/2002	Diab et al.	7,373,193 B2	5/2008	Al-Ali et al.
6,368,283 B1	4/2002	Xu et al.	7,377,794 B2	5/2008	Al-Ali et al.
6,411,373 B1	6/2002	Garside et al.	D571,478 S	6/2008	Horacek
6,415,167 B1	7/2002	Blank et al.	D571,720 S	6/2008	Yang
6,430,437 B1	8/2002	Marro	7,395,158 B2	7/2008	Monfre et al.
6,430,525 B1	8/2002	Weber et al.	7,415,297 B2	8/2008	Al-Ali et al.
6,463,311 B1	10/2002	Diab	D576,546 S	9/2008	Yang
6,470,199 B1	10/2002	Kopotic et al.	7,438,683 B2	10/2008	Al-Ali et al.
6,487,429 B2	11/2002	Hockersmith et al.	7,483,729 B2	1/2009	Al-Ali et al.
6,505,059 B1	1/2003	Kollias et al.	D587,657 S	3/2009	Al-Ali et al.
6,525,386 B1	2/2003	Mills et al.	7,500,950 B2	3/2009	Al-Ali et al.
6,526,300 B1	2/2003	Kiani et al.	7,509,494 B2	3/2009	Al-Ali
6,534,012 B1	3/2003	Hazen et al.	7,510,849 B2	3/2009	Schurman et al.
6,542,764 B1	4/2003	Al-Ali et al.	7,514,725 B2	4/2009	Wojtczuk et al.
6,580,086 B1	6/2003	Schulz et al.	7,519,406 B2	4/2009	Blank et al.
6,584,336 B1	6/2003	Ali et al.	D592,507 S	5/2009	Wachman et al.
6,587,196 B1	7/2003	Stippick et al.	7,530,942 B1	5/2009	Diab
6,587,199 B1	7/2003	Luu	D601,258 S	9/2009	Bell et al.
6,595,316 B2	7/2003	Cybulski et al.	7,593,230 B2	9/2009	Abul-Haj et al.
6,597,932 B2	7/2003	Tian et al.	7,596,398 B2	9/2009	Al-Ali et al.
6,606,511 B1	8/2003	Ali et al.	7,606,608 B2	10/2009	Blank et al.
6,635,559 B2	10/2003	Greenwald et al.	7,620,674 B2	11/2009	Ruchti et al.
			D606,659 S	12/2009	Kiani et al.
			7,629,039 B2	12/2009	Eckerbom et al.
			7,640,140 B2	12/2009	Ruchti et al.
			7,647,083 B2	1/2010	Al-Ali et al.

(56)

References Cited

U.S. PATENT DOCUMENTS

D609,193 S	2/2010	Al-Ali et al.	8,588,880 B2	11/2013	Abdul-Hafiz et al.
D614,305 S	4/2010	Al-Ali et al.	8,630,691 B2	1/2014	Lamego et al.
7,697,966 B2	4/2010	Monfre et al.	8,639,319 B2	1/2014	Hugh et al.
7,698,105 B2	4/2010	Ruchti et al.	8,641,631 B2	2/2014	Sierra et al.
RE41,317 E	5/2010	Parker	8,652,060 B2	2/2014	Al-Ali
RE41,333 E	5/2010	Blank et al.	8,663,106 B2	3/2014	Stivoric et al.
D616,993 S	6/2010	Muis et al.	8,666,468 B1	3/2014	Al-Ali
7,729,733 B2	6/2010	Al-Ali et al.	8,670,811 B2	3/2014	O'Reilly
7,761,127 B2	7/2010	Al-Ali et al.	RE44,823 E	4/2014	Parker
7,764,982 B2	7/2010	Dalke et al.	RE44,875 E	4/2014	Kiani et al.
D621,516 S	8/2010	Kiani et al.	8,688,183 B2	4/2014	Bruinsma et al.
7,791,155 B2	9/2010	Diab	8,690,799 B2	4/2014	Telfort et al.
RE41,912 E	11/2010	Parker	8,702,627 B2	4/2014	Telfort et al.
7,880,626 B2	2/2011	Al-Ali et al.	8,712,494 B1	4/2014	MacNeish, III et al.
7,904,133 B2	3/2011	Gehman et al.	8,715,206 B2	5/2014	Telfort et al.
7,909,772 B2	3/2011	Popov et al.	8,716,629 B2	5/2014	Klewer et al.
D636,726 S	4/2011	Hiramura	8,723,677 B1	5/2014	Kiani
7,919,713 B2	4/2011	Al-Ali et al.	8,740,792 B1	6/2014	Kiani et al.
7,937,128 B2	5/2011	Al-Ali	8,755,535 B2	6/2014	Telfort et al.
7,937,129 B2	5/2011	Mason et al.	8,755,872 B1	6/2014	Marinow
7,941,199 B2	5/2011	Kiani	D709,439 S	7/2014	Ferber et al.
7,957,780 B2	6/2011	Lamego et al.	8,764,671 B2	7/2014	Kiani
7,962,188 B2	6/2011	Kiani et al.	8,768,423 B2	7/2014	Shakespeare et al.
7,976,472 B2	7/2011	Kiani	8,771,204 B2	7/2014	Telfort et al.
7,990,382 B2	8/2011	Kiani	8,781,544 B2	7/2014	Al-Ali et al.
8,008,088 B2	8/2011	Bellott et al.	8,790,268 B2	7/2014	Al-Ali
RE42,753 E	9/2011	Kiani-Azarbayjany et al.	8,801,613 B2	8/2014	Al-Ali et al.
8,028,701 B2	10/2011	Al-Ali et al.	D712,827 S	9/2014	Maeda et al.
8,048,040 B2	11/2011	Kiani	8,821,397 B2	9/2014	Al-Ali et al.
8,050,728 B2	11/2011	Al-Ali et al.	8,821,415 B2	9/2014	Al-Ali et al.
RE43,169 E	2/2012	Parker	8,830,449 B1	9/2014	Lamego et al.
8,118,620 B2	2/2012	Al-Ali et al.	8,840,549 B2	9/2014	Al-Ali et al.
8,130,105 B2	3/2012	Al-Ali et al.	8,852,094 B2	10/2014	Al-Ali et al.
8,182,443 B1	5/2012	Kiani	8,852,994 B2	10/2014	Wojtczuk et al.
8,190,223 B2	5/2012	Al-Ali et al.	8,897,847 B2	11/2014	Al-Ali
8,203,438 B2	6/2012	Kiani et al.	D719,658 S	12/2014	McDougall et al.
8,203,704 B2	6/2012	Merritt et al.	8,911,377 B2	12/2014	Al-Ali
D663,421 S *	7/2012	Steiner D24/169	D724,222 S	3/2015	Chung et al.
8,219,172 B2	7/2012	Schurman et al.	8,989,831 B2	3/2015	Al-Ali et al.
8,224,411 B2	7/2012	Al-Ali et al.	8,998,809 B2	4/2015	Kiani
8,229,532 B2	7/2012	Davis	D728,468 S	5/2015	Ferber et al.
8,233,955 B2	7/2012	Al-Ali et al.	9,066,666 B2	6/2015	Kiani
D666,305 S	8/2012	Benarieh et al.	9,066,680 B1	6/2015	Al-Ali et al.
8,255,026 B1	8/2012	Al-Ali	9,095,316 B2	8/2015	Welch et al.
8,265,723 B1	9/2012	McHale et al.	9,106,038 B2	8/2015	Telfort et al.
8,274,360 B2	9/2012	Sampath et al.	9,107,625 B2	8/2015	Telfort et al.
8,280,473 B2	10/2012	Al-Ali	9,131,881 B2	9/2015	Diab et al.
8,315,683 B2	11/2012	Al-Ali et al.	9,138,180 B1	9/2015	Coverston et al.
8,315,687 B2	11/2012	Cross et al.	9,153,112 B1	10/2015	Kiani et al.
RE43,860 E	12/2012	Parker	9,192,329 B2	11/2015	Al-Ali
D671,888 S	12/2012	Dyson et al.	9,192,351 B1	11/2015	Telfort et al.
8,346,330 B2	1/2013	Lamego	9,195,385 B2	11/2015	Al-Ali et al.
8,353,842 B2	1/2013	Al-Ali et al.	D745,167 S	12/2015	Canas et al.
8,355,766 B2	1/2013	MacNeish, III et al.	9,211,095 B1	12/2015	Al-Ali
8,374,665 B2	2/2013	Lamego	9,218,454 B2	12/2015	Kiani et al.
8,388,353 B2	3/2013	Kiani et al.	9,245,668 B1	1/2016	Vo et al.
8,401,602 B2	3/2013	Kiani	9,267,572 B2	2/2016	Barker et al.
8,414,499 B2	4/2013	Al-Ali et al.	D752,229 S	3/2016	Chen et al.
8,418,524 B2	4/2013	Al-Ali	9,277,880 B2	3/2016	Poeze et al.
8,428,967 B2	4/2013	Olsen et al.	9,307,928 B1	4/2016	Al-Ali et al.
8,430,817 B1	4/2013	Al-Ali et al.	9,323,894 B2	4/2016	Kiani
8,437,825 B2	5/2013	Dalvi et al.	D755,392 S	5/2016	Hwang et al.
8,455,290 B2	6/2013	Siskavich	D755,393 S	5/2016	Amsler
8,457,707 B2	6/2013	Kiani	D755,974 S *	5/2016	Chen D24/165
8,471,713 B2	6/2013	Poeze et al.	9,326,712 B1	5/2016	Kiani
8,473,020 B2	6/2013	Kiani et al.	9,392,945 B2	7/2016	Al-Ali et al.
8,509,867 B2	8/2013	Workman et al.	9,408,542 B1	8/2016	Kinast et al.
8,515,509 B2	8/2013	Bruinsma et al.	D767,485 S	9/2016	To et al.
8,523,781 B2	9/2013	Al-Ali	D767,487 S	9/2016	Huang
D692,145 S	10/2013	Al-Ali et al.	9,436,645 B2	9/2016	Al-Ali et al.
8,571,617 B2	10/2013	Reichgott et al.	9,445,759 B1	9/2016	Lamego et al.
8,571,618 B1	10/2013	Lamego et al.	9,474,474 B2	10/2016	Lamego et al.
8,571,619 B2	10/2013	Al-Ali et al.	9,480,435 B2	11/2016	Olsen
8,577,431 B2	11/2013	Lamego et al.	9,510,755 B2	12/2016	Fong et al.
8,584,345 B2	11/2013	Al-Ali et al.	9,510,779 B2	12/2016	Poeze et al.
			9,517,024 B2	12/2016	Kiani et al.
			9,532,722 B2	1/2017	Lamego et al.
			9,560,996 B2	2/2017	Kiani
			9,579,039 B2	2/2017	Jansen et al.

(56)

References Cited

U.S. PATENT DOCUMENTS

D782,683 S *	3/2017	Singh	D24/167	10,441,196 B2	10/2019	Eckerbom et al.
9,622,692 B2	4/2017	Lamego et al.		10,448,844 B2	10/2019	Al-Ali et al.
D788,312 S	5/2017	Al-Ali et al.		10,448,871 B2	10/2019	Al-Ali et al.
9,649,054 B2	5/2017	Lamego et al.		10,456,038 B2	10/2019	Lamego et al.
9,697,928 B2	7/2017	Al-Ali et al.		10,463,340 B2	11/2019	Telfort et al.
D794,803 S	8/2017	Thom		10,471,159 B1	11/2019	Lapotko et al.
D795,184 S	8/2017	Jung et al.		10,499,825 B2	12/2019	Solosko et al.
9,717,458 B2	8/2017	Lamego et al.		10,505,311 B2	12/2019	Al-Ali et al.
9,724,016 B1	8/2017	Al-Ali et al.		10,524,738 B2	1/2020	Olsen
9,724,024 B2	8/2017	Al-Ali		10,531,813 B2	1/2020	O'Neill et al.
9,724,025 B1	8/2017	Kiani et al.		10,532,174 B2	1/2020	Al-Ali
9,749,232 B2	8/2017	Sampath et al.		10,537,285 B2	1/2020	Shreim et al.
9,750,442 B2	9/2017	Olsen		10,542,903 B2	1/2020	Al-Ali et al.
9,750,461 B1	9/2017	Telfort		10,555,678 B2	2/2020	Dalvi et al.
9,775,545 B2	10/2017	Al-Ali et al.		10,568,553 B2	2/2020	O'Neil et al.
9,778,079 B1	10/2017	Al-Ali et al.		RE47,882 E	3/2020	Al-Ali
9,782,077 B2	10/2017	Lamego et al.		10,575,780 B2	3/2020	Van Den Ende et al.
9,787,568 B2	10/2017	Lamego et al.		10,595,726 B2	3/2020	Cronin et al.
9,808,188 B1	11/2017	Perea et al.		10,608,817 B2	3/2020	Haider et al.
9,839,379 B2	12/2017	Al-Ali et al.		D880,477 S	4/2020	Forrest et al.
9,839,381 B1	12/2017	Weber et al.		10,617,302 B2	4/2020	Al-Ali et al.
9,847,749 B2	12/2017	Kiani et al.		10,617,335 B2	4/2020	Al-Ali et al.
9,848,800 B1	12/2017	Lee et al.		10,637,181 B2	4/2020	Al-Ali et al.
9,861,298 B2	1/2018	Eckerbom et al.		D884,165 S	5/2020	deBock et al.
9,861,305 B1	1/2018	Weber et al.		D887,548 S	6/2020	Abdul-Hafiz et al.
9,877,650 B2	1/2018	Muhsin et al.		D887,549 S	6/2020	Abdul-Hafiz et al.
D810,944 S *	2/2018	Goolkasian	D24/167	10,667,751 B2	6/2020	Kaskoun et al.
9,891,079 B2	2/2018	Dalvi		10,667,764 B2	6/2020	Ahmed et al.
9,907,473 B2	3/2018	Tran		D890,708 S	7/2020	Forrest et al.
9,924,897 B1	3/2018	Abdul-Hafiz		10,721,785 B2	7/2020	Al-Ali
D815,743 S	4/2018	Liao et al.		10,736,518 B2	8/2020	Al-Ali et al.
9,936,917 B2	4/2018	Poeze et al.		10,750,984 B2	8/2020	Pauley et al.
D818,129 S	5/2018	Heine et al.		D895,122 S	9/2020	Benedikter et al.
9,955,937 B2	5/2018	Telfort		D897,098 S	9/2020	Al-Ali
9,955,939 B2	5/2018	Sezan et al.		10,758,164 B2	9/2020	Derkx et al.
9,965,946 B2	5/2018	Al-Ali et al.		10,779,098 B2	9/2020	Iswanto et al.
D820,865 S	6/2018	Muhsin et al.		10,799,128 B2	10/2020	Paulussen et al.
9,986,952 B2	6/2018	Dalvi et al.		10,827,961 B1	11/2020	Iyengar et al.
D822,215 S	7/2018	Al-Ali et al.		10,828,007 B1	11/2020	Telfort et al.
D822,216 S	7/2018	Barker et al.		10,832,818 B2	11/2020	Muhsin et al.
10,010,276 B2	7/2018	Al-Ali et al.		10,849,554 B2	12/2020	Shreim et al.
10,062,958 B2	8/2018	Ganton et al.		10,856,750 B2	12/2020	Indorf et al.
10,086,138 B1	10/2018	Novak, Jr.		D908,894 S *	1/2021	Eslava D24/186
10,111,591 B2	10/2018	Dyell et al.		D914,896 S *	3/2021	Hoshino D24/200
D833,624 S	11/2018	DeJong et al.		D917,704 S *	4/2021	Al-Ali D24/186
10,123,729 B2	11/2018	Dyell et al.		D919,094 S *	5/2021	Al-Ali D24/165
D835,282 S	12/2018	Barker et al.		D919,100 S *	5/2021	Al-Ali D24/186
D835,283 S	12/2018	Barker et al.		D919,101 S *	5/2021	Jung D24/186
D835,284 S	12/2018	Barker et al.		D921,202 S *	6/2021	Al-Ali D24/165
D835,285 S	12/2018	Barker et al.		2001/0034477 A1	10/2001	Mansfield et al.
10,143,383 B2	12/2018	Tseng et al.		2001/0039483 A1	11/2001	Brand et al.
10,149,616 B2	12/2018	Al-Ali et al.		2002/0010401 A1	1/2002	Bushmakina et al.
10,154,815 B2	12/2018	Al-Ali et al.		2002/0058864 A1	5/2002	Mansfield et al.
10,159,412 B2	12/2018	Lamego et al.		2002/0133080 A1	9/2002	Apruzzese et al.
10,188,348 B2	1/2019	Al-Ali et al.		2003/0013975 A1	1/2003	Kiani
RE47,218 E	2/2019	Al-Ali		2003/0018243 A1	1/2003	Gerhardt et al.
RE47,244 E	2/2019	Kiani et al.		2003/0144582 A1	7/2003	Cohen et al.
RE47,249 E	2/2019	Kiani et al.		2003/0156288 A1	8/2003	Barnum et al.
10,205,291 B2	2/2019	Scruggs et al.		2003/0212312 A1	11/2003	Coffin, IV et al.
10,226,187 B2	3/2019	Al-Ali et al.		2004/0106163 A1	6/2004	Workman, Jr. et al.
10,231,657 B2	3/2019	Al-Ali et al.		2005/0055276 A1	3/2005	Kiani et al.
10,231,670 B2	3/2019	Blank et al.		2005/0107714 A1	5/2005	Matsumura et al.
RE47,353 E	4/2019	Kiani et al.		2005/0234317 A1	10/2005	Kiani
D847,372 S	4/2019	Crawford et al.		2006/0073719 A1	4/2006	Kiani
10,279,247 B2	5/2019	Kiani		2006/0189871 A1	8/2006	Al-Ali et al.
10,292,664 B2	5/2019	Al-Ali		2007/0073116 A1	3/2007	Kiani et al.
10,299,720 B2	5/2019	Brown et al.		2007/0167850 A1	7/2007	Russell et al.
10,327,337 B2	6/2019	Triman et al.		2007/0180140 A1	8/2007	Welch et al.
10,327,713 B2	6/2019	Barker et al.		2007/0244377 A1	10/2007	Cozad et al.
10,332,630 B2	6/2019	Al-Ali		2008/0064965 A1	3/2008	Jay et al.
10,383,520 B2	8/2019	Wojtczuk et al.		2008/0094228 A1	4/2008	Welch et al.
10,383,527 B2	8/2019	Al-Ali		2008/0221418 A1	9/2008	Al-Ali et al.
10,388,120 B2	8/2019	Muhsin et al.		2008/0288026 A1	11/2008	Cross et al.
D864,120 S	10/2019	Forrest et al.		2009/0036759 A1	2/2009	Ault et al.
10,441,181 B1	10/2019	Telfort et al.		2009/0093687 A1	4/2009	Telfort et al.
				2009/0095926 A1	4/2009	MacNeish, III
				2009/0247984 A1	10/2009	Lamego et al.
				2009/0275813 A1	11/2009	Davis
				2010/0004518 A1	1/2010	Vo et al.

(56)

References Cited

U.S. PATENT DOCUMENTS

2010/0030040 A1 2/2010 Poeze et al.
 2010/0099964 A1 4/2010 O'Reilly et al.
 2010/0234718 A1 9/2010 Sampath et al.
 2010/0249542 A1 9/2010 Thijs et al.
 2010/0270257 A1 10/2010 Wachman et al.
 2011/0028806 A1 2/2011 Merritt et al.
 2011/0028809 A1 2/2011 Goodman
 2011/0040197 A1 2/2011 Welch et al.
 2011/0082711 A1 4/2011 Poeze et al.
 2011/0087081 A1 4/2011 Kiani et al.
 2011/0118561 A1 5/2011 Tari et al.
 2011/0137297 A1 6/2011 Kiani et al.
 2011/0172498 A1 7/2011 Olsen et al.
 2011/0230733 A1 9/2011 Al-Ali
 2011/0237924 A1 9/2011 McGusty et al.
 2012/0123231 A1 5/2012 O'Reilly
 2012/0130204 A1 5/2012 Basta et al.
 2012/0165629 A1 6/2012 Merritt et al.
 2012/0209084 A1 8/2012 Olsen et al.
 2012/0226117 A1 9/2012 Lamego et al.
 2012/0283524 A1 11/2012 Kiani et al.
 2013/0023775 A1 1/2013 Lamego et al.
 2013/0041591 A1 2/2013 Lamego
 2013/0060147 A1 3/2013 Welch et al.
 2013/0096405 A1 4/2013 Garfio
 2013/0296672 A1 11/2013 O'Neil et al.
 2013/0345921 A1 12/2013 Al-Ali et al.
 2014/0166076 A1 6/2014 Kiani et al.
 2014/0180160 A1 6/2014 Brown et al.
 2014/0187973 A1 7/2014 Brown et al.
 2014/0243612 A1 8/2014 Li et al.
 2014/0275871 A1 9/2014 Lamego et al.
 2014/0275872 A1 9/2014 Merritt et al.
 2014/0316217 A1 10/2014 Purdon et al.
 2014/0316218 A1 10/2014 Purdon et al.
 2014/0323897 A1 10/2014 Brown et al.
 2014/0323898 A1 10/2014 Purdon et al.
 2015/0005600 A1 1/2015 Blank et al.
 2015/0011907 A1 1/2015 Purdon et al.
 2015/0025400 A1 1/2015 Nishioka et al.
 2015/0073241 A1 3/2015 Lamego
 2015/0080754 A1 3/2015 Purdon et al.
 2015/0099950 A1 4/2015 Al-Ali et al.
 2015/0106121 A1 4/2015 Muhsin et al.
 2016/0007861 A1 1/2016 Tseng et al.
 2016/0196388 A1 7/2016 Lamego
 2016/0367173 A1 12/2016 Dalvi et al.
 2017/0024748 A1 1/2017 Haider
 2017/0042488 A1 2/2017 Muhsin
 2017/0055896 A1 3/2017 Al-Ali
 2017/0173632 A1 6/2017 Al-Ali
 2017/0251974 A1 9/2017 Shreim et al.
 2017/0296124 A1 10/2017 Creemers et al.
 2017/0311891 A1 11/2017 Kiani et al.
 2017/0360329 A1 12/2017 Derkx et al.
 2018/0049656 A1 2/2018 Paulussen et al.
 2018/0103874 A1 4/2018 Lee et al.
 2018/0125444 A1 5/2018 Kahlman et al.
 2018/0146867 A1 5/2018 Torihama et al.
 2018/0184926 A1 7/2018 Doi et al.
 2018/0235567 A1 8/2018 Bezemer et al.
 2018/0242926 A1 8/2018 Muhsin et al.

2018/0247353 A1 8/2018 Al-Ali et al.
 2018/0247712 A1 8/2018 Muhsin et al.
 2018/0256087 A1 9/2018 Al-Ali et al.
 2018/0296161 A1 10/2018 Shreim et al.
 2018/0300919 A1 10/2018 Muhsin et al.
 2018/0310822 A1 11/2018 Indorf et al.
 2018/0310823 A1 11/2018 Al-Ali et al.
 2018/0317826 A1 11/2018 Muhsin et al.
 2018/0333053 A1 11/2018 Verkuijsse et al.
 2018/0360373 A1 12/2018 Aarts et al.
 2019/0015023 A1 1/2019 Monfre
 2019/0117070 A1 4/2019 Muhsin et al.
 2019/0142280 A1 5/2019 Bongers et al.
 2019/0200941 A1 7/2019 Chandran et al.
 2019/0239787 A1 8/2019 Pauley et al.
 2019/0298195 A1 10/2019 De Groot et al.
 2019/0320906 A1 10/2019 Olsen
 2019/0374139 A1 12/2019 Kiani et al.
 2019/0374173 A1 12/2019 Kiani et al.
 2019/0374713 A1 12/2019 Kiani et al.
 2020/0021930 A1 1/2020 Iswanto et al.
 2020/0060869 A1 2/2020 Telfort et al.
 2020/0069281 A1 3/2020 Chan et al.
 2020/0085310 A1 3/2020 Zahner et al.
 2020/0086133 A1 3/2020 Wang et al.
 2020/0111552 A1 4/2020 Ahmed
 2020/0113435 A1 4/2020 Muhsin
 2020/0113488 A1 4/2020 Al-Ali et al.
 2020/0113496 A1 4/2020 Scruggs et al.
 2020/0113497 A1 4/2020 Triman et al.
 2020/0113520 A1 4/2020 Abdul-Hafiz et al.
 2020/0138288 A1 5/2020 Al-Ali et al.
 2020/0138368 A1 5/2020 Kiani et al.
 2020/0163597 A1 5/2020 Dalvi et al.
 2020/0196877 A1 6/2020 Vo et al.
 2020/0253474 A1 8/2020 Muhsin et al.
 2020/0253544 A1 8/2020 Belur Nagaraj et al.
 2020/0275841 A1 9/2020 Telfort et al.
 2020/0288983 A1 9/2020 Telfort et al.
 2020/0321793 A1 10/2020 Al-Ali et al.
 2020/0329983 A1 10/2020 Al-Ali et al.
 2020/0329984 A1 10/2020 Al-Ali et al.
 2020/0329993 A1 10/2020 Al-Ali et al.
 2020/0330037 A1 10/2020 Al-Ali et al.
 2020/0345252 A1 11/2020 Huijbregts et al.
 2021/0022628 A1 1/2021 Telfort et al.

FOREIGN PATENT DOCUMENTS

EP 3 566 644 11/2019
 EP 3 578 096 12/2019
 EP 3 598 950 1/2020
 EP 3 626 159 3/2020
 WO WO 2010/020945 2/2010
 WO WO 2013/124750 8/2013
 WO WO 2017/093150 6/2017
 WO WO 2020/002133 1/2020
 WO WO 2020/002290 1/2020
 WO WO 2020/002461 1/2020
 WO WO 2020/078842 4/2020
 WO WO 2020/078962 4/2020
 WO WO 2020/214826 10/2020
 WO WO 2020/216694 10/2020

* cited by examiner

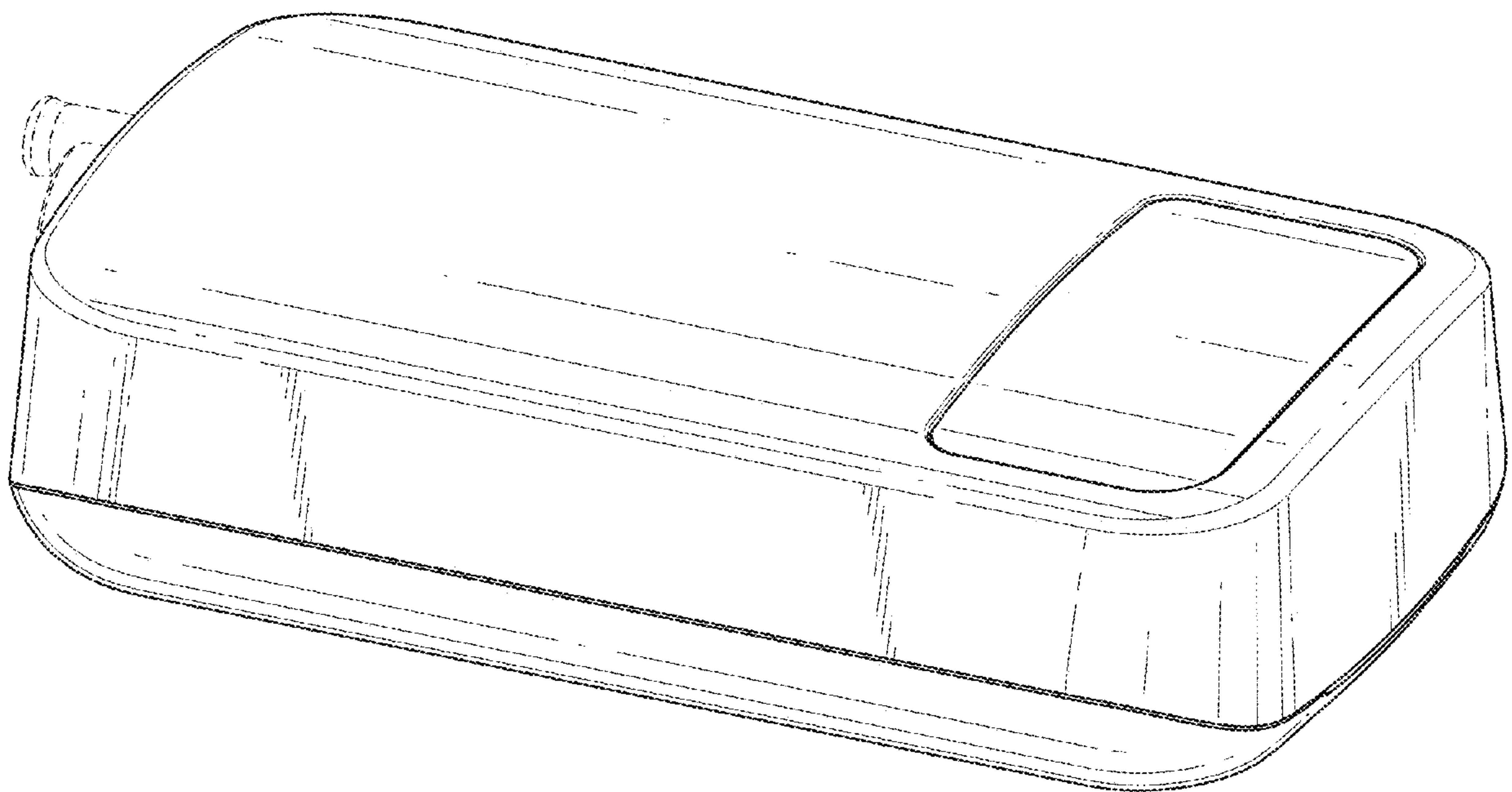


FIG. 1

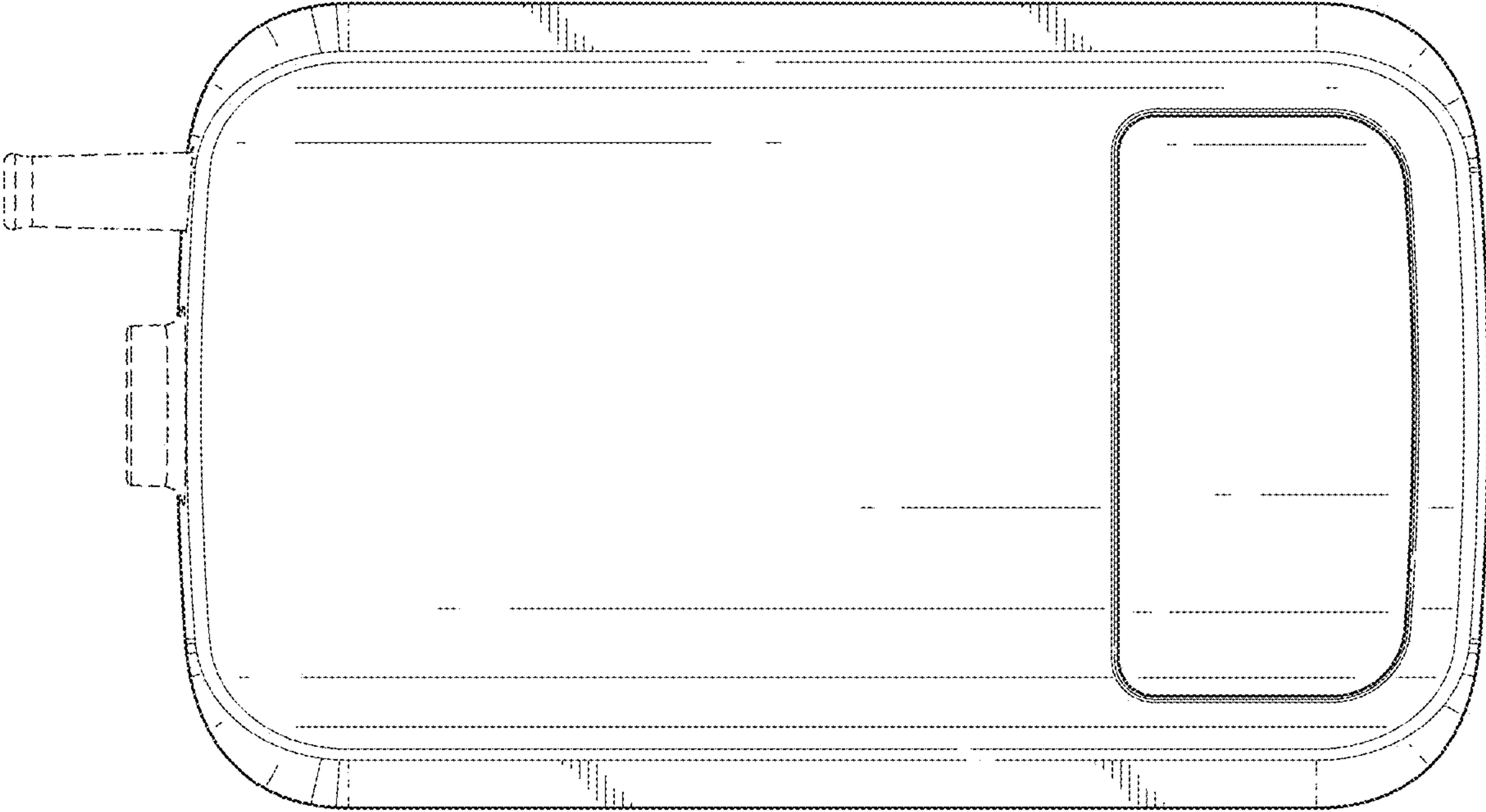


FIG. 2

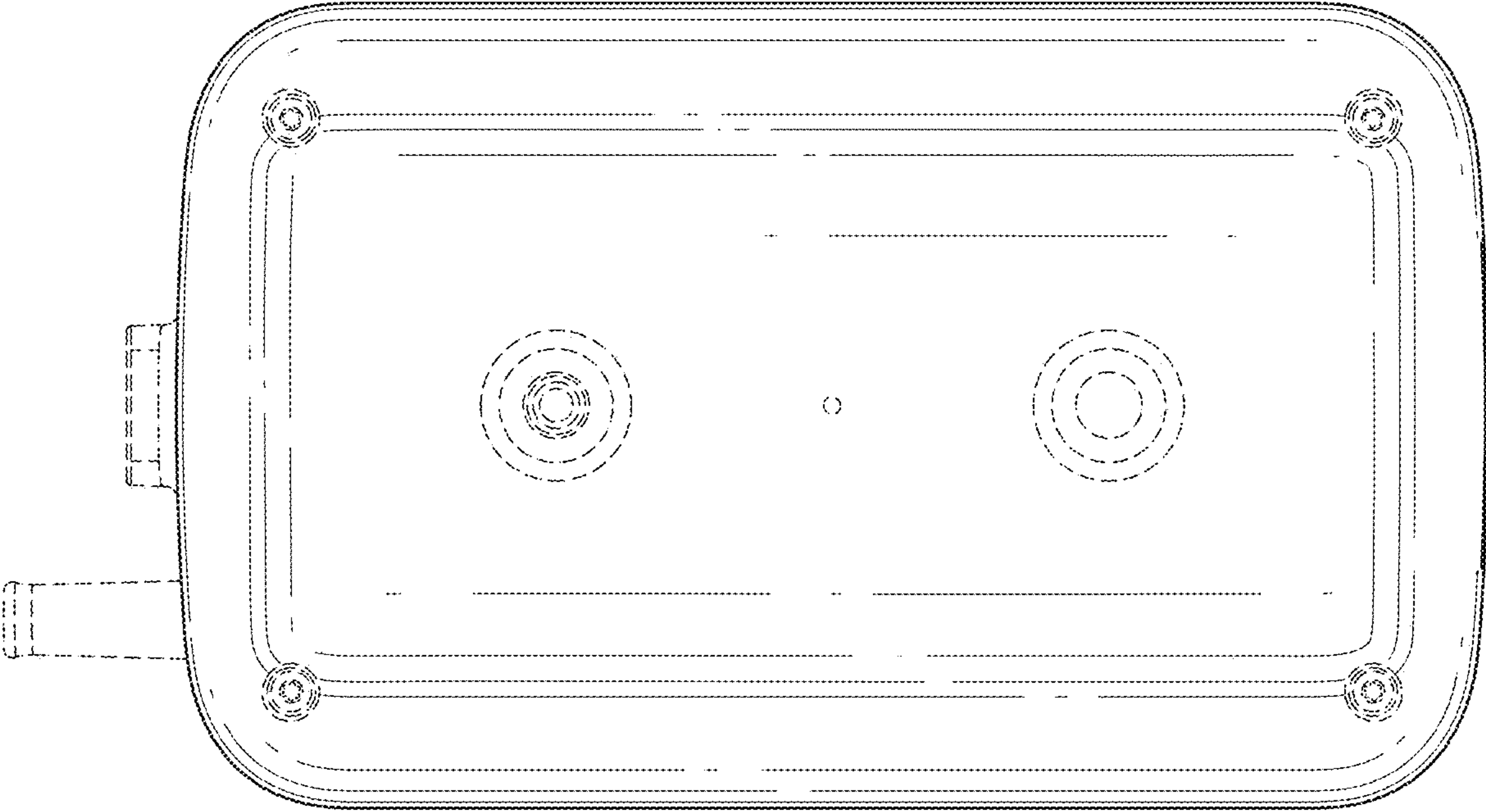


FIG. 3

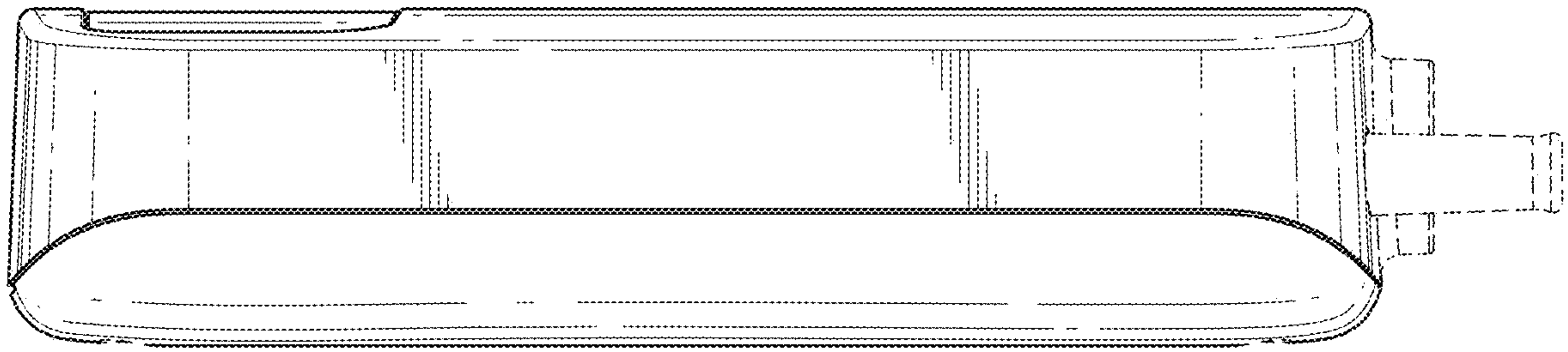


FIG. 4

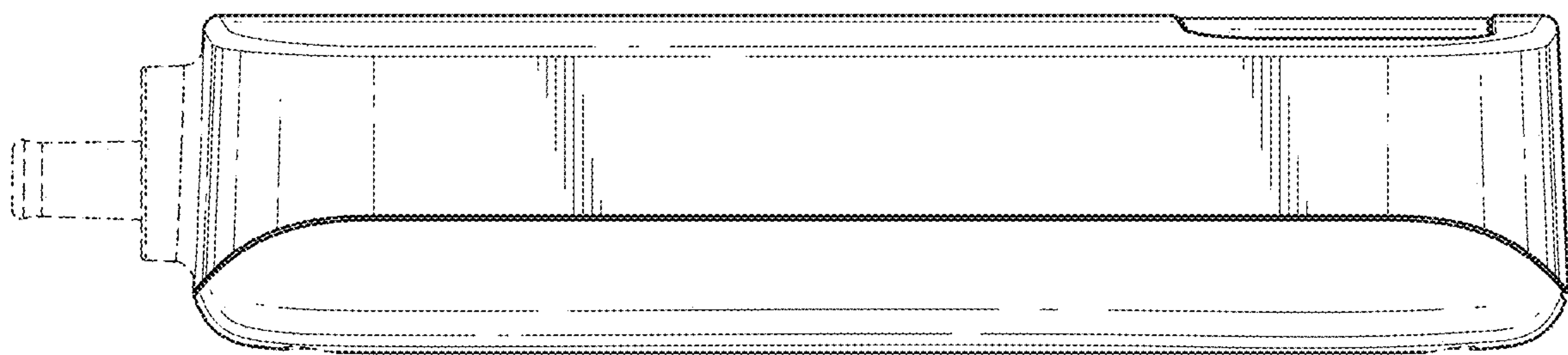


FIG. 5

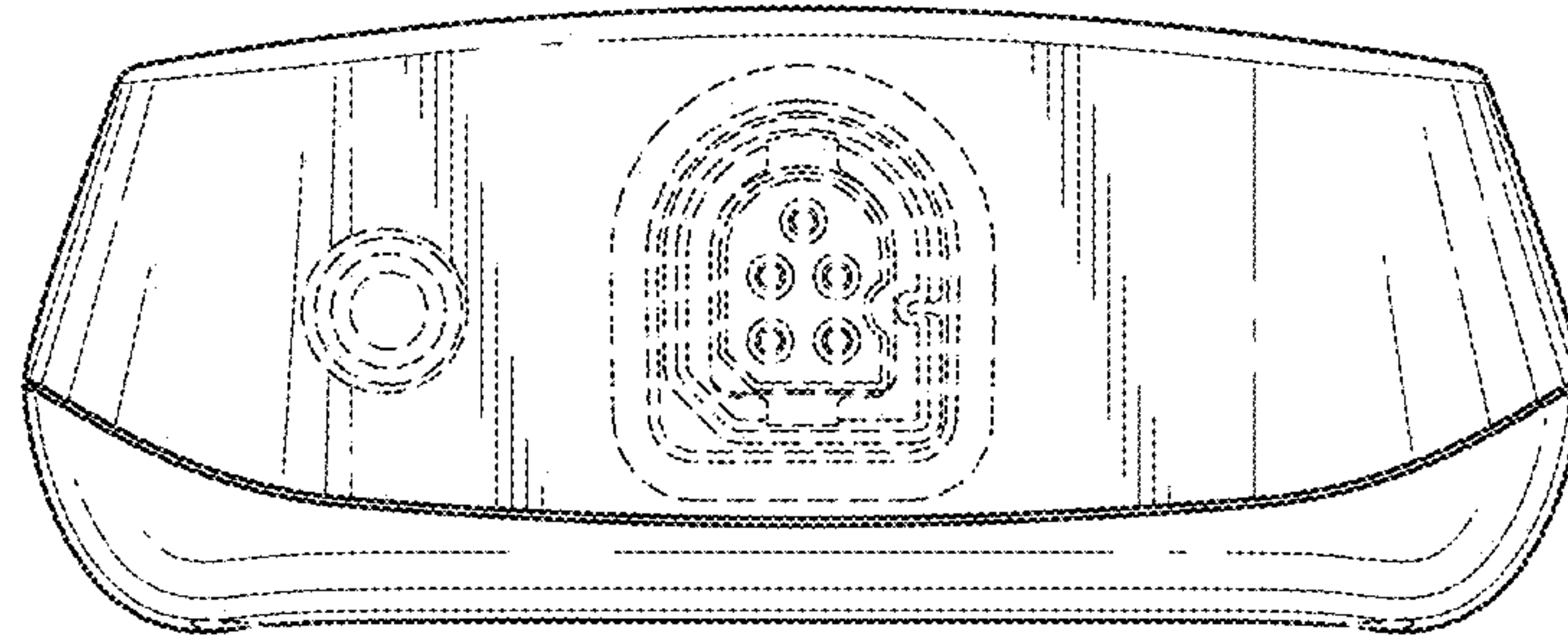


FIG. 6

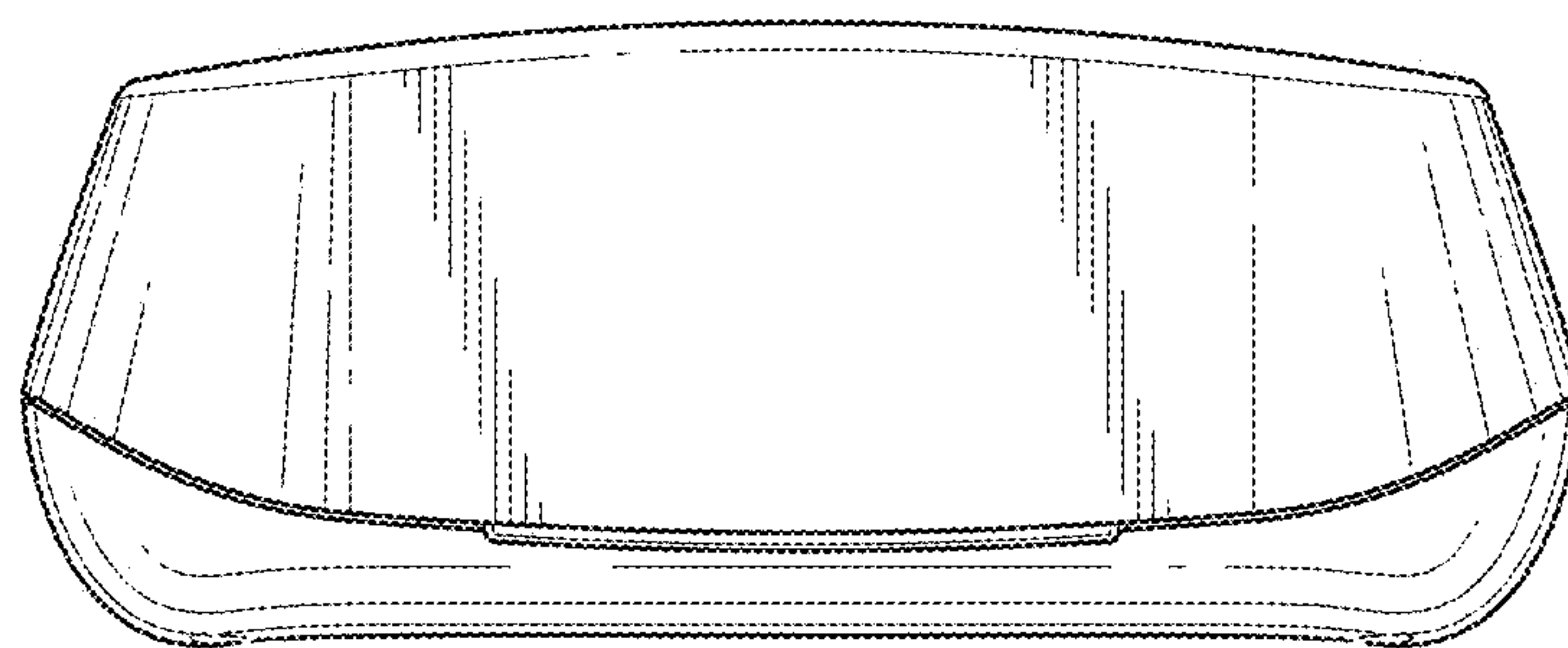


FIG. 7

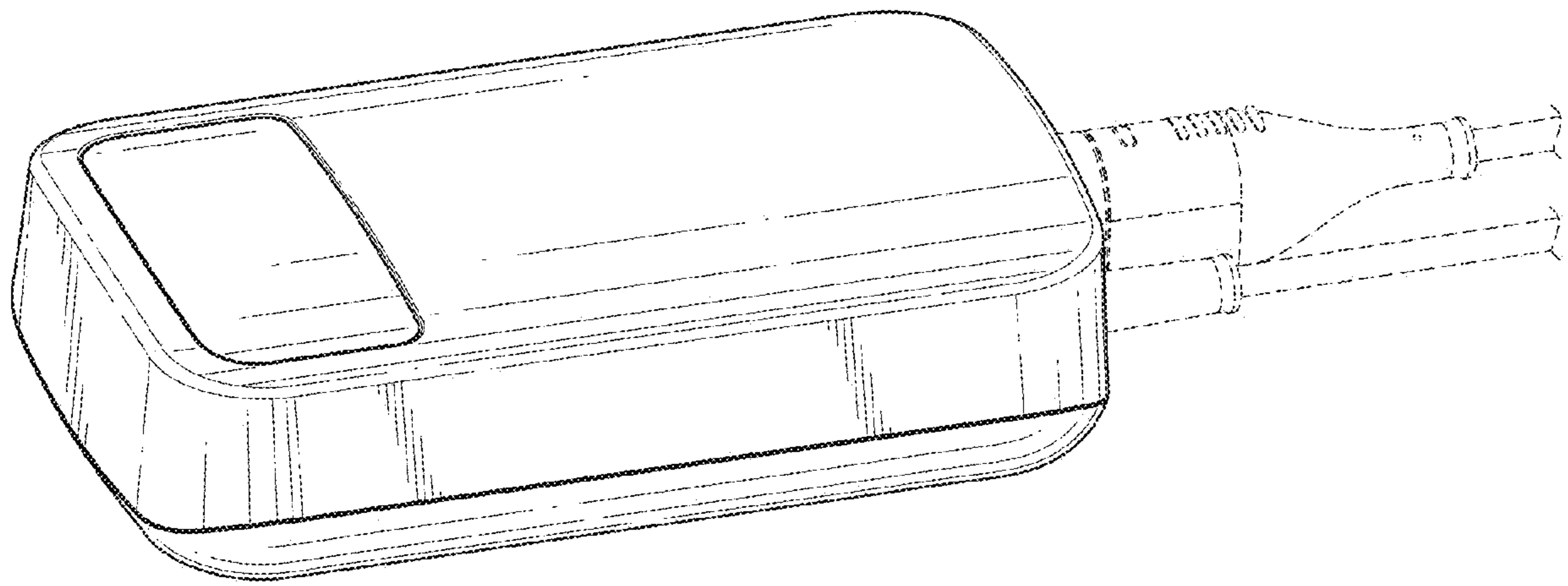


FIG. 8

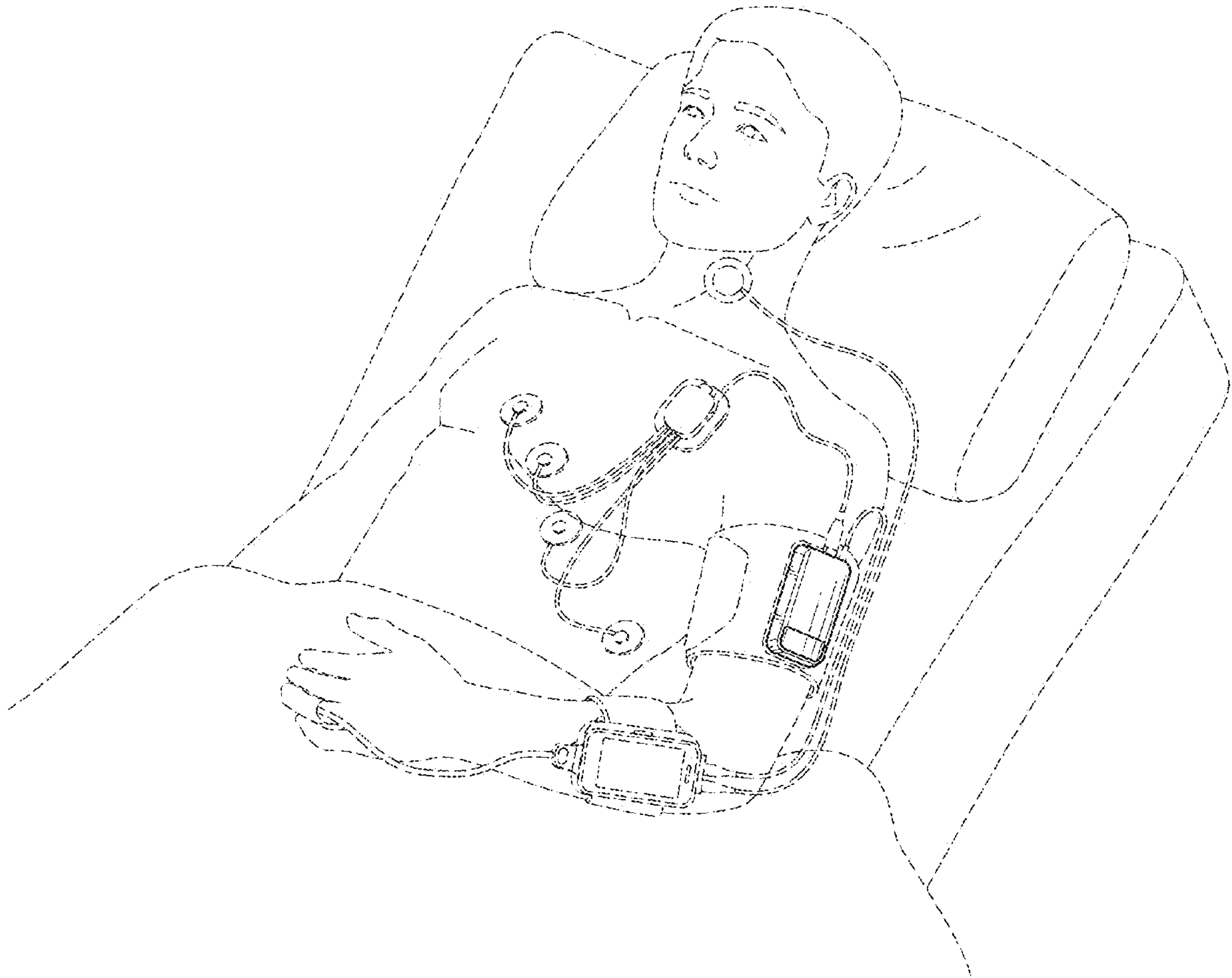


FIG. 9

UNITED STATES PATENT AND TRADEMARK OFFICE
CERTIFICATE OF CORRECTION

PATENT NO. : D933,232 S
APPLICATION NO. : 29/734321
DATED : October 12, 2021
INVENTOR(S) : Al-Ali et al.

Page 1 of 1

It is certified that error appears in the above-identified patent and that said Letters Patent is hereby corrected as shown below:

On the Title Page

In Column 2, item (57), Description, Line 1, after “of” delete “a first embodiment of”.

Signed and Sealed this
Fourth Day of January, 2022



Drew Hirshfeld
*Performing the Functions and Duties of the
Under Secretary of Commerce for Intellectual Property and
Director of the United States Patent and Trademark Office*