



US00D933231S

(12) **United States Design Patent**
Marteau et al.

(10) **Patent No.:** **US D933,231 S**
(45) **Date of Patent:** **** Oct. 12, 2021**

(54) **CONTROLLER**

(71) Applicant: **GE Precision Healthcare LLC**,
Milwaukee, WI (US)

(72) Inventors: **Jean-Michel Marteau**, Le Plessis
Robinson (FR); **Julien Marcotte**,
Saint-Vrain (FR); **Aurelie Boudier**,
Bois d'Arcy (FR); **Julie Manzano**,
Malakoff (FR); **Stephane Vandroux**,
Paris (FR)

(73) Assignee: **GE Precision Healthcare LLC**,
Milwaukee, WI (US)

(**) Term: **15 Years**

(21) Appl. No.: **29/733,912**

(22) Filed: **May 7, 2020**

(51) **LOC (13) Cl.** **24-01**

(52) **U.S. Cl.**
USPC **D24/158**

(58) **Field of Classification Search**
USPC D14/388, 389, 390, 396, 397, 398, 399,
D14/400, 401, 454, 455, 356, 357, 496,
(Continued)

(56) **References Cited**

U.S. PATENT DOCUMENTS

D122,838 S * 10/1940 Graves D24/158
D181,522 S * 11/1957 Ensign D24/158
(Continued)

Primary Examiner — Marie D. Fast Horse

(74) *Attorney, Agent, or Firm* — McCoy Russell LLP

(57) **CLAIM**

The ornamental design for a controller, as shown and described.

DESCRIPTION

FIG. 1 is a front perspective view of a controller according to a first embodiment of the claimed design.

FIG. 2 is a rear perspective view of the controller of FIG. 1.

FIG. 3 is a top view of the controller of FIG. 1.

FIG. 4 is a bottom view of the controller of FIG. 1.

FIG. 5 is a front view of the controller of FIG. 1.

FIG. 6 is a rear view of the controller of FIG. 1.

FIG. 7 is a left side view of the controller of FIG. 1.

FIG. 8 is a right side view of the controller of FIG. 1.

FIG. 9 is a cross-sectional view of the controller of FIG. 1 taken along line 9-9 in FIG. 3.

FIG. 10 is a cross-sectional view of the controller of FIG. 1 taken along line 10-10 in FIG. 3.

FIG. 11 is an enlarged view of the enclosed portion in FIG. 9.

FIG. 12 is an enlarged view of the enclosed portion in FIG. 10.

FIG. 13 is a perspective view of the controller of FIG. 14 in a use environment.

FIG. 14 is a front perspective view of a controller according to a second embodiment of the claimed design.

FIG. 15 is a rear perspective view of the controller of FIG. 14.

FIG. 16 is a top view of the controller of FIG. 14.

FIG. 17 is a bottom view of the controller of FIG. 14.

FIG. 18 is a front view of the controller of FIG. 14.

FIG. 19 is a rear view of the controller of FIG. 14.

FIG. 20 is a left side view of the controller of FIG. 14.

FIG. 21 is a right side view of the controller of FIG. 14.

FIG. 22 is a front perspective view of a controller according to a third embodiment of the claimed design.

FIG. 23 is a rear perspective view of the controller of FIG. 22.

FIG. 24 is a top view of the controller of FIG. 22.

FIG. 25 is a bottom view of the controller of FIG. 22.

FIG. 26 is a front view of the controller of FIG. 22.

FIG. 27 is a rear view of the controller of FIG. 22.

FIG. 28 is a left side view of the controller of FIG. 22.

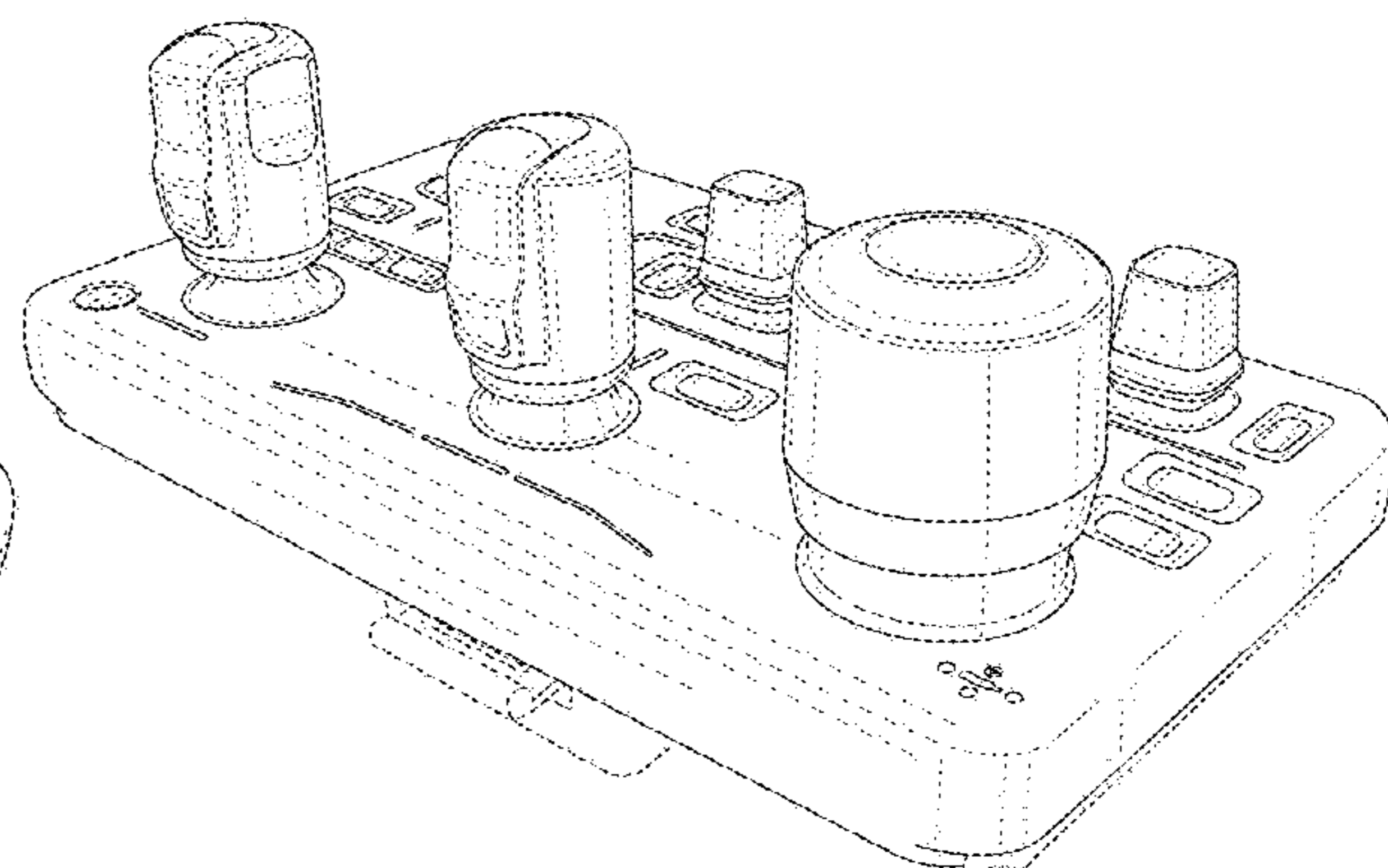
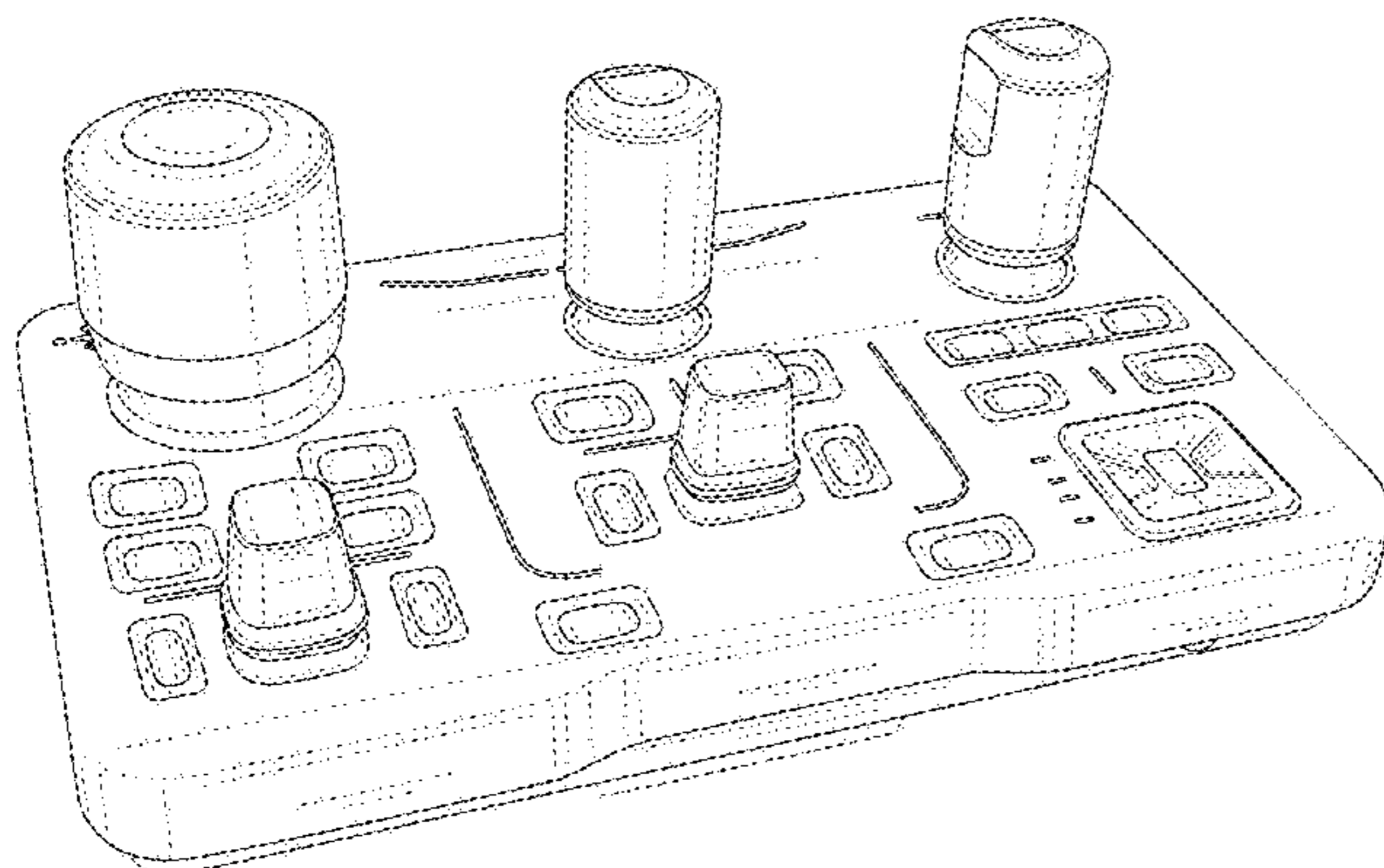
FIG. 29 is a right side view of the controller of FIG. 22.

FIG. 30 is a cross-sectional view of the controller of FIG. 22 taken along line 30-30 in FIG. 24; and,

FIG. 31 is an enlarged view of the enclosed portion in FIG. 30.

The interior portions of the controller illustrated with dashed hatch shading in FIGS. 9-12 and 30-31 of the drawings form

(Continued)



no part of the claimed design, but the exterior surfaces illustrated with solid lines in FIGS. 9-12 and 30-31 are claimed.

The dash-dot broken lines in FIGS. 3, 9-12, 24, and 30-31 of the drawings showing the section lines and enclosed portions form no part of the claimed design.

The dash-dash broken lines in FIG. 13 depict environmental subject matter only and form no part of the claim, while all other dash-dash broken lines in the drawings depict portions of the controller that form no part of the claimed design.

1 Claim, 29 Drawing Sheets

(58) Field of Classification Search

USPC D14/217, 218, 239, 168, 415;
 D21/324-333, 566; D13/162, 162.1, 163,
 D13/168; D10/106.9, 106.95; D12/174;
 D24/113, 158, 160, 177, 185, 186;
 D15/199, 28, 78, 122, 138; D16/237
 CPC A61B 1/00002; A61B 1/00009; A61B
 1/0052; A61B 1/045; A61B 6/54; A61B
 6/548; A61B 8/54; A61B 2017/00199;
 A61B 2017/00212; A61B 2018/0094;
 A61B 2018/00946; A61B 2018/00952;
 G06T 11/80; G06F 3/02; G06F 3/033;
 G06F 3/0338; G06F 1/169; B25J 13/00;
 B25J 13/06; B25J 13/084

See application file for complete search history.

(56) References Cited

U.S. PATENT DOCUMENTS

D288,820 S * 3/1987 Couch D14/300
 D334,062 S * 3/1993 Davis D24/160
 D340,916 S * 11/1993 Imura D13/162
 D366,261 S * 1/1996 Splane, Jr. D14/217
 D395,285 S * 6/1998 Allon D14/388
 D411,530 S * 6/1999 Carter D14/400
 D421,038 S * 2/2000 Hisatsune D13/168
 D449,292 S * 10/2001 Miyazaki D14/217
 D463,401 S * 9/2002 Miyazaki D14/217
 D480,810 S * 10/2003 Gumisawa D24/158
 D545,434 S * 6/2007 Ogiwara D24/158
 D545,966 S * 7/2007 Ogiwara D24/158
 D548,344 S * 8/2007 Ogiwara D24/158
 D550,359 S * 9/2007 Ogiwara D24/158
 D554,258 S * 10/2007 Ogiwara D24/158

D560,807 S * 1/2008 Kitayama D24/158
 D571,011 S * 6/2008 Otoha D24/158
 D609,349 S * 2/2010 Pelissier D24/186
 D626,235 S * 10/2010 Smith D24/158
 D626,236 S * 10/2010 Ninomiya D24/185
 D630,752 S * 1/2011 Suzuki D24/158
 D648,370 S * 11/2011 Yoshida D16/237
 D648,855 S * 11/2011 Smith D24/158
 D650,482 S * 12/2011 Kim D24/158
 D662,208 S * 6/2012 Otoha D24/185
 D687,151 S * 7/2013 Yokoyama D24/160
 D695,898 S * 12/2013 Chung D24/158
 D697,212 S * 1/2014 Chung D24/158
 D697,620 S * 1/2014 Chung D24/158
 D697,622 S * 1/2014 Chung D24/158
 D699,852 S * 2/2014 Chung D24/158
 D708,333 S * 7/2014 Kim D24/158
 D711,539 S * 8/2014 Hunt D24/158
 D716,949 S * 11/2014 Baba D24/160
 D723,168 S * 2/2015 Tong D24/158
 D723,693 S * 3/2015 Banryu D24/158
 D726,923 S * 4/2015 Baba D24/158
 D727,504 S * 4/2015 Ninomiya D24/158
 D727,506 S * 4/2015 Tan D24/158
 D728,791 S * 5/2015 Ninomiya D24/158
 D731,657 S * 6/2015 Tong D24/158
 D743,558 S * 11/2015 Kim D24/186
 D767,537 S * 9/2016 Matsubayashi D14/217
 D771,595 S * 11/2016 Medas D14/217
 D781,249 S * 3/2017 Park D13/168
 D789,425 S * 6/2017 Smith D15/28
 D804,673 S * 12/2017 Shin D24/186
 D810,295 S * 2/2018 Kim D24/158
 D815,064 S * 4/2018 Garncarz D14/217
 D822,833 S * 7/2018 Doerre D24/158
 D825,763 S * 8/2018 Lim D24/160
 D832,822 S * 11/2018 Cho D14/217
 D840,541 S * 2/2019 Yanagihara D24/160
 D843,580 S * 3/2019 Eckert D24/158
 D850,411 S * 6/2019 Rowe D14/217
 D852,962 S * 7/2019 Chang D24/185
 D855,190 S * 7/2019 Wu D24/185
 D868,969 S * 12/2019 Avranches D24/158
 D872,863 S * 1/2020 Henderson D24/160
 D875,253 S * 2/2020 Moon D24/160
 D876,633 S * 2/2020 Moon D24/160
 D884,900 S * 5/2020 Shin D24/158
 D901,018 S * 11/2020 Swen D24/185
 D907,782 S * 1/2021 Bailey D24/185
 10,921,395 B2 * 2/2021 Foo A61B 5/0035
 2007/0270694 A1 * 11/2007 Pelissier A61B 8/00
 600/443
 2008/0132789 A1 * 6/2008 Malchow A61B 8/0833
 600/443

* cited by examiner

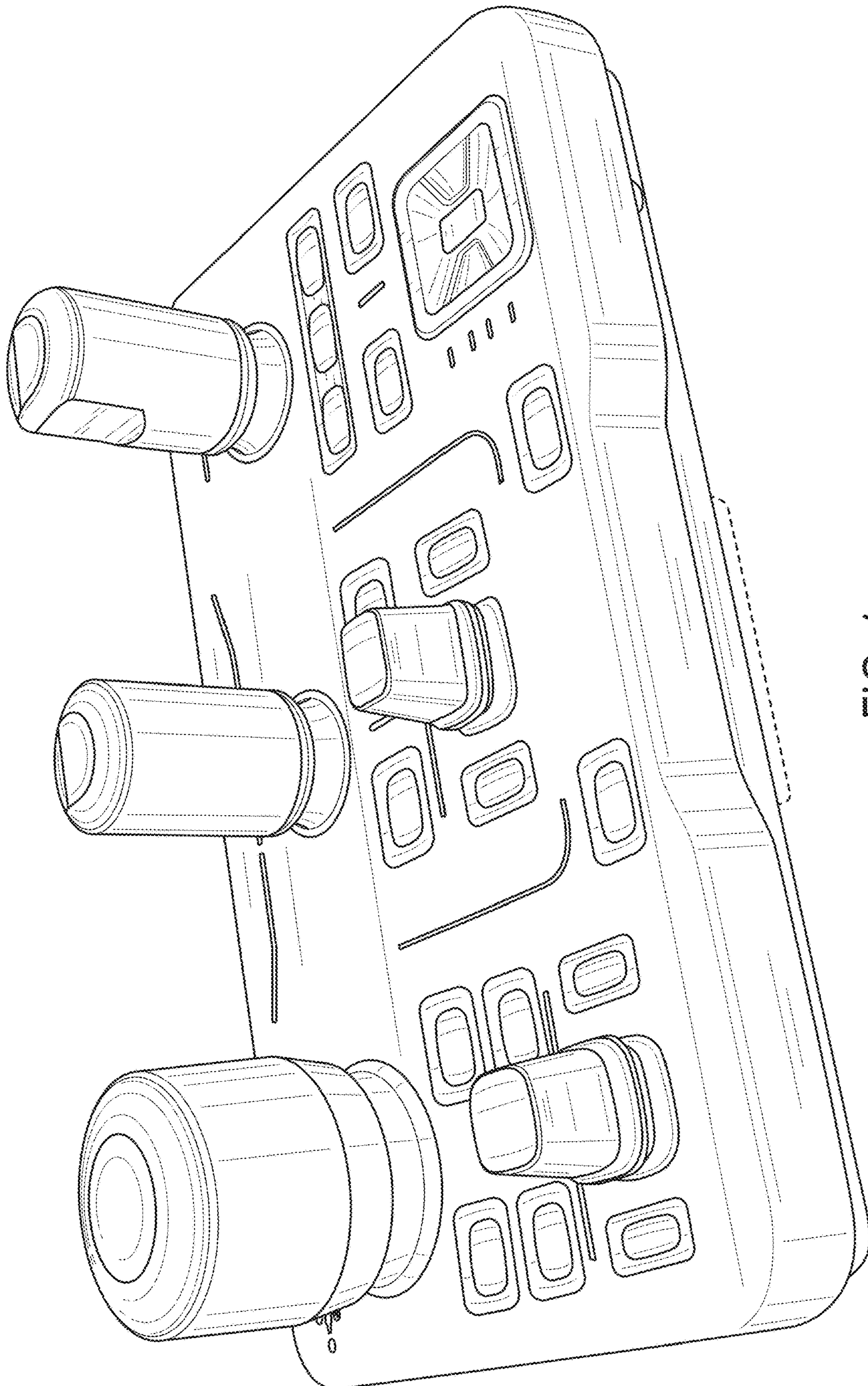


FIG. 1

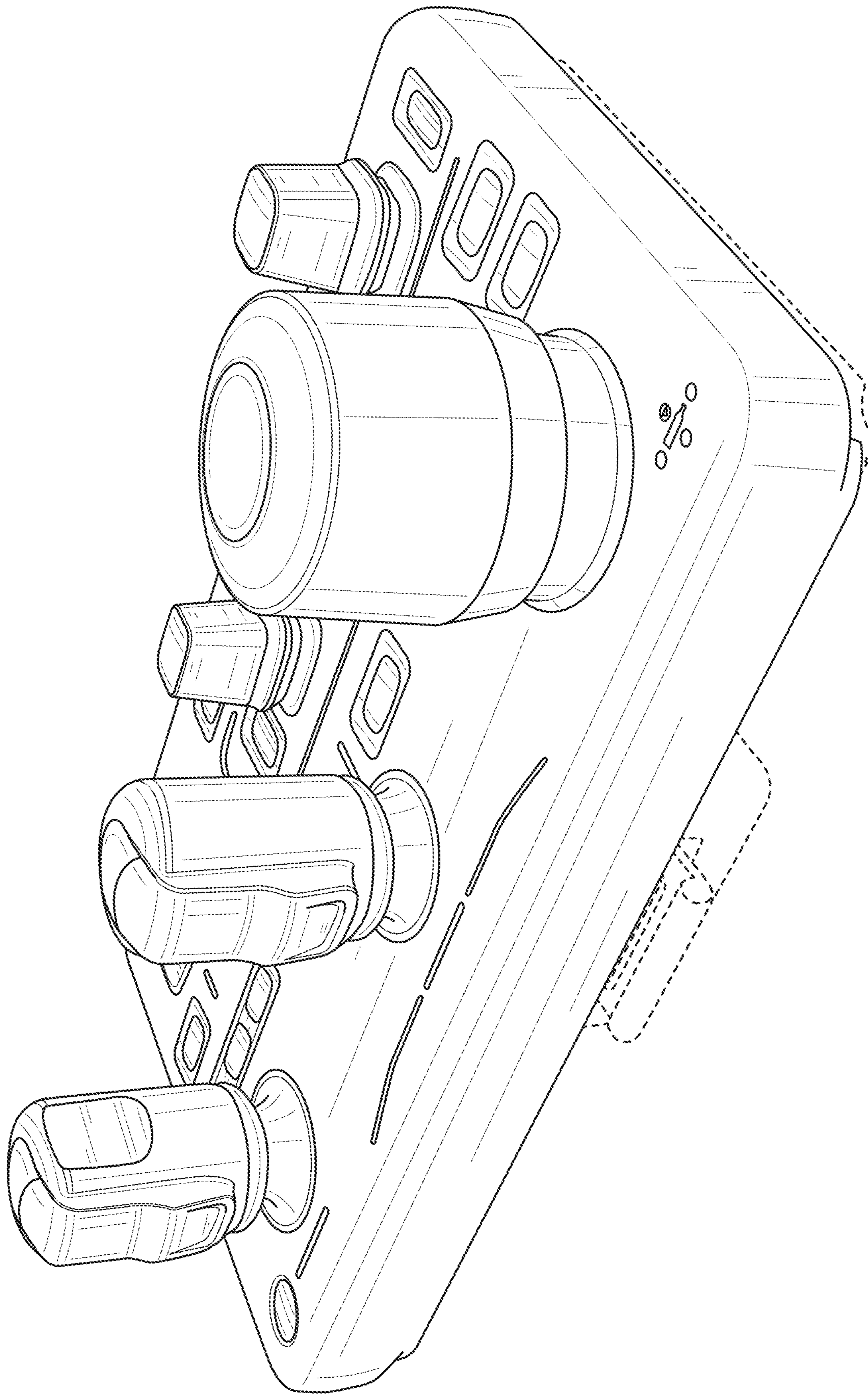


FIG. 2

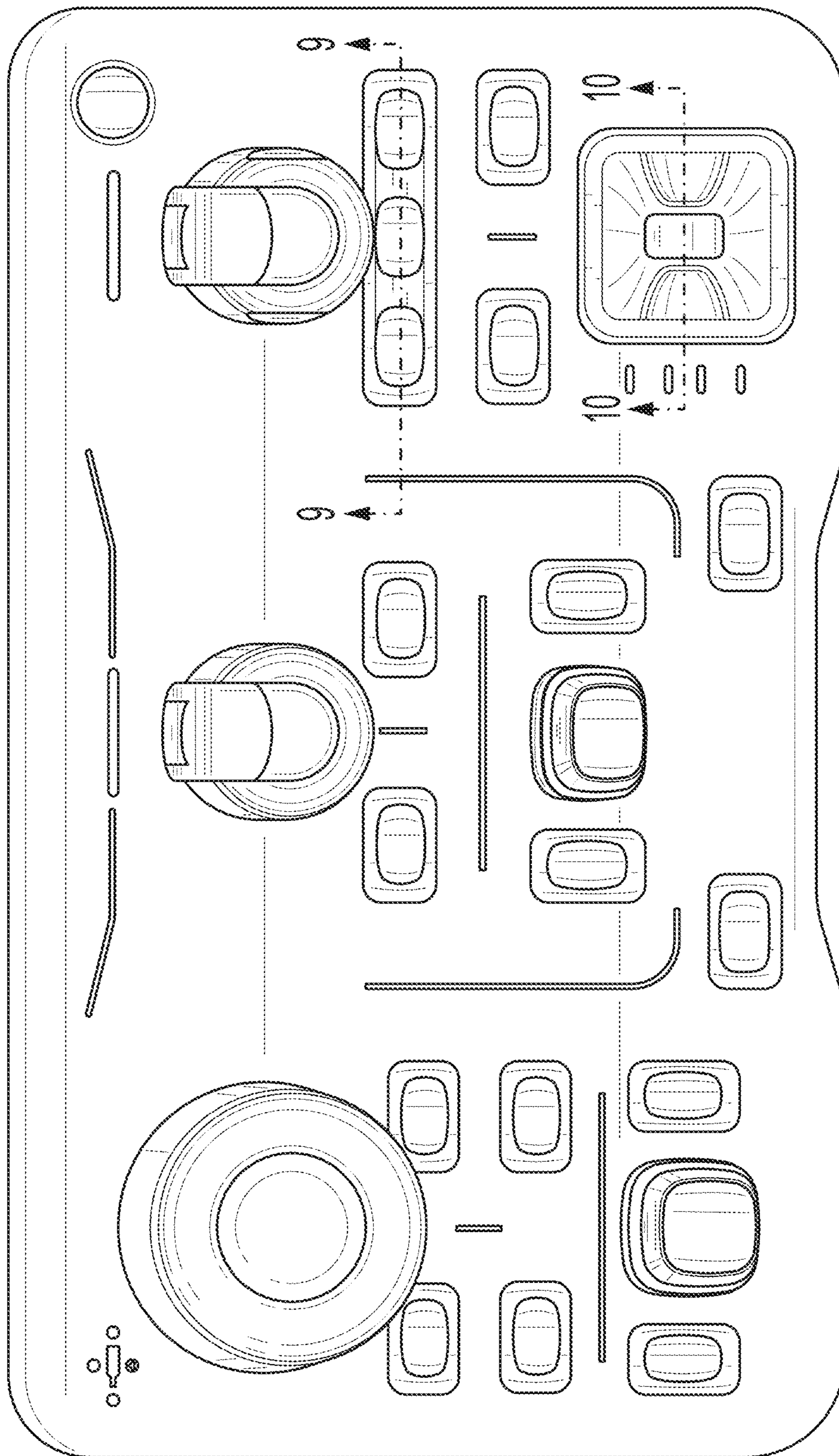


FIG. 3

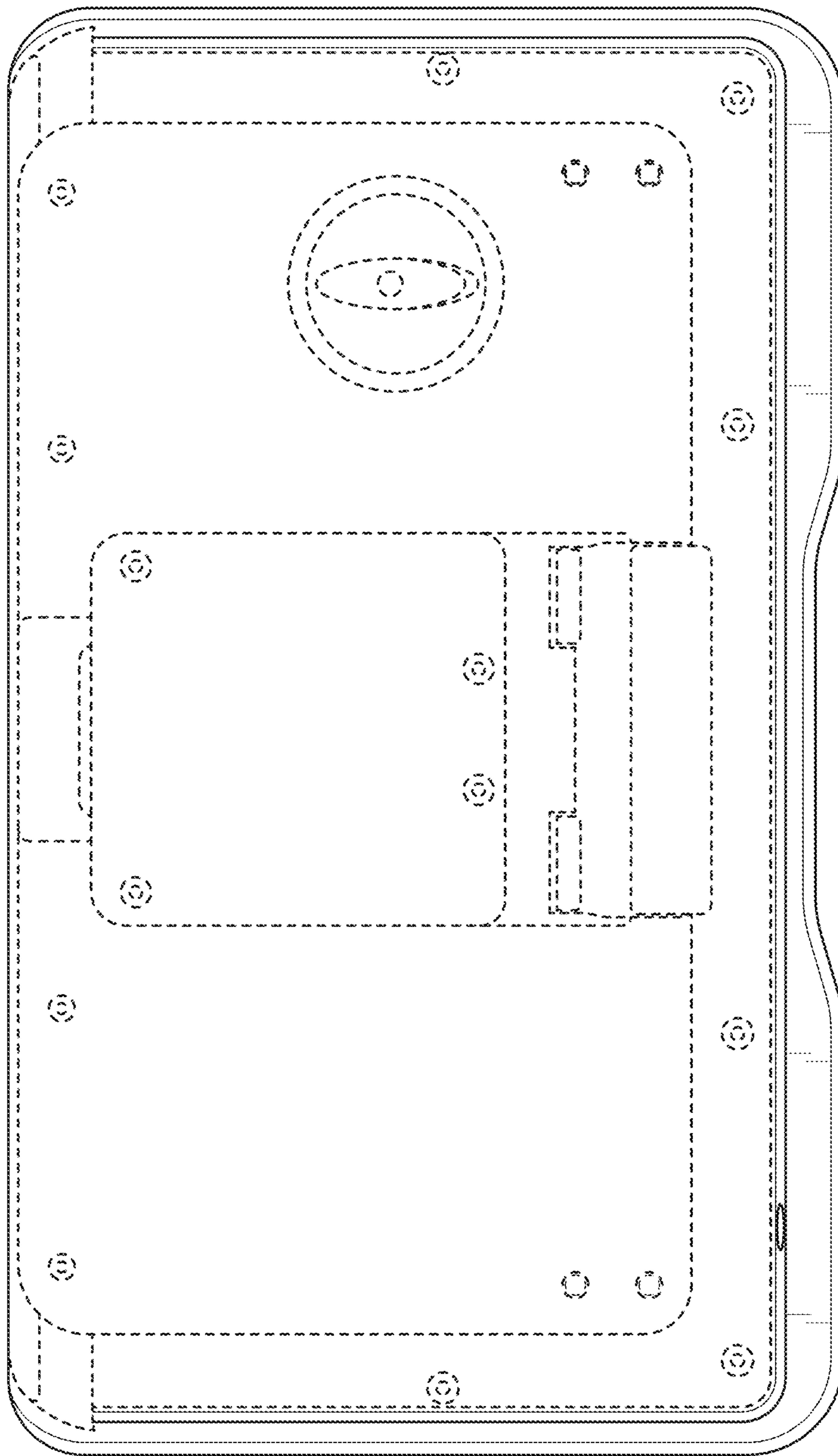


FIG. 4

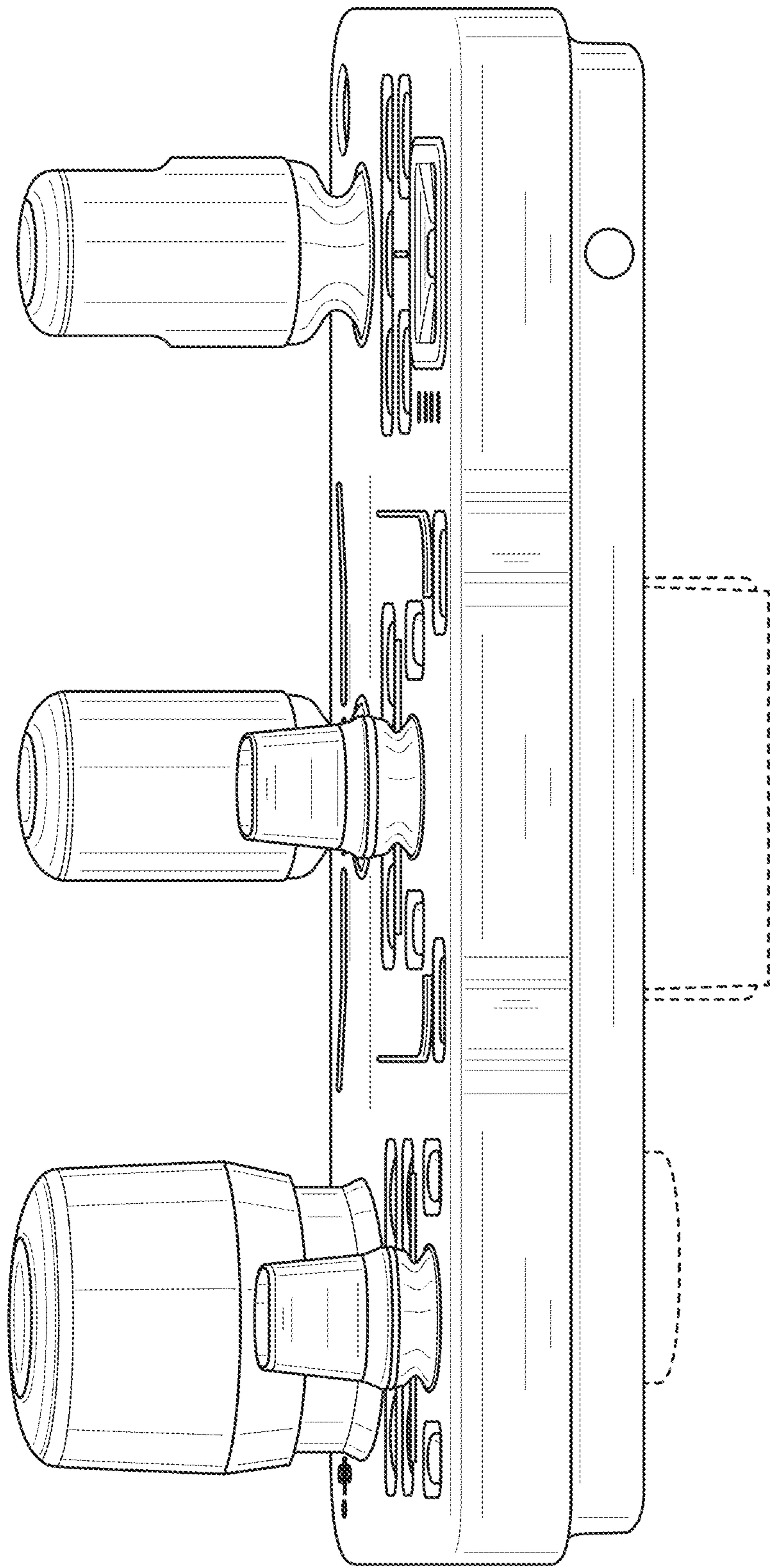


FIG. 5

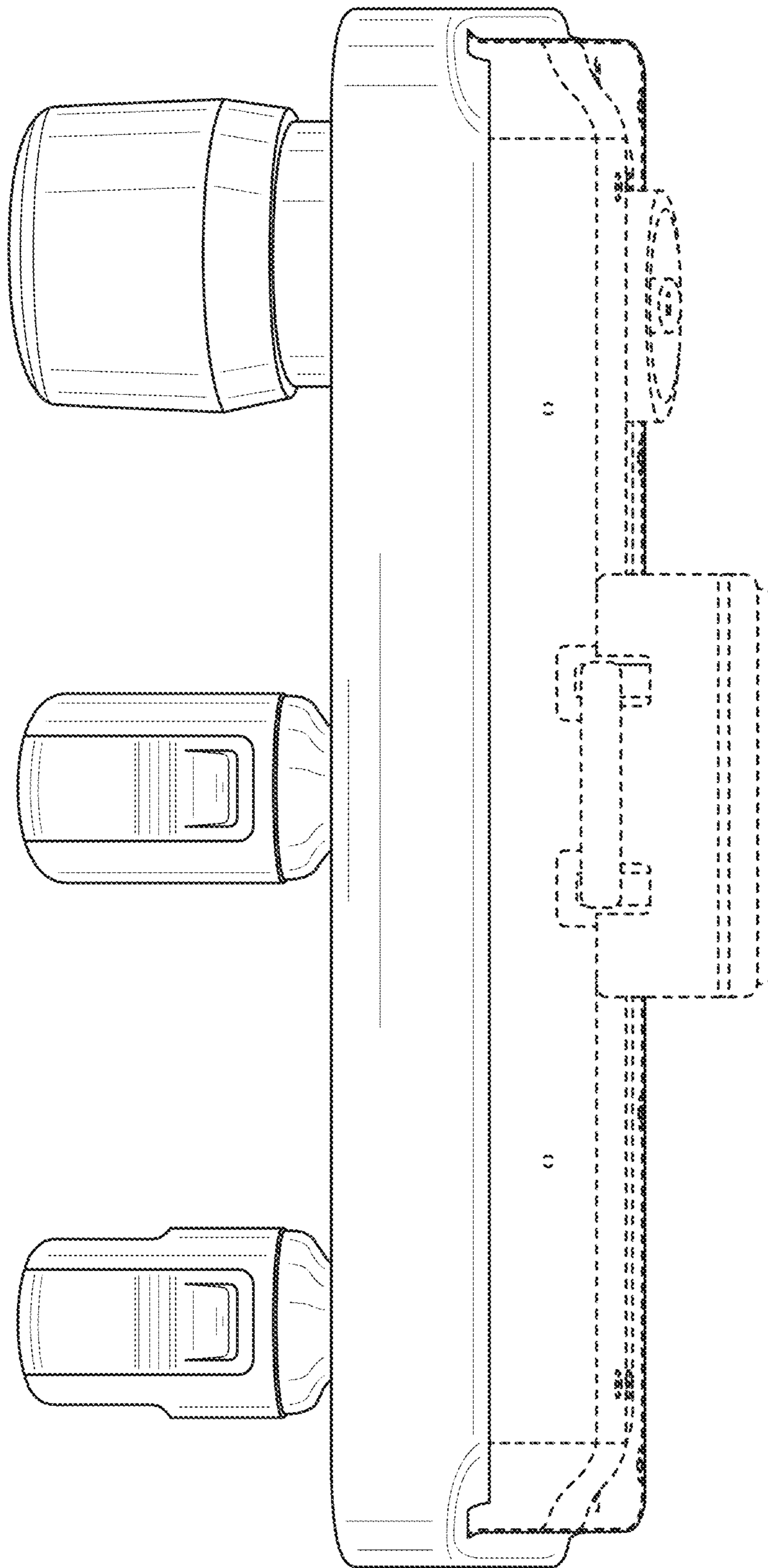


FIG. 6

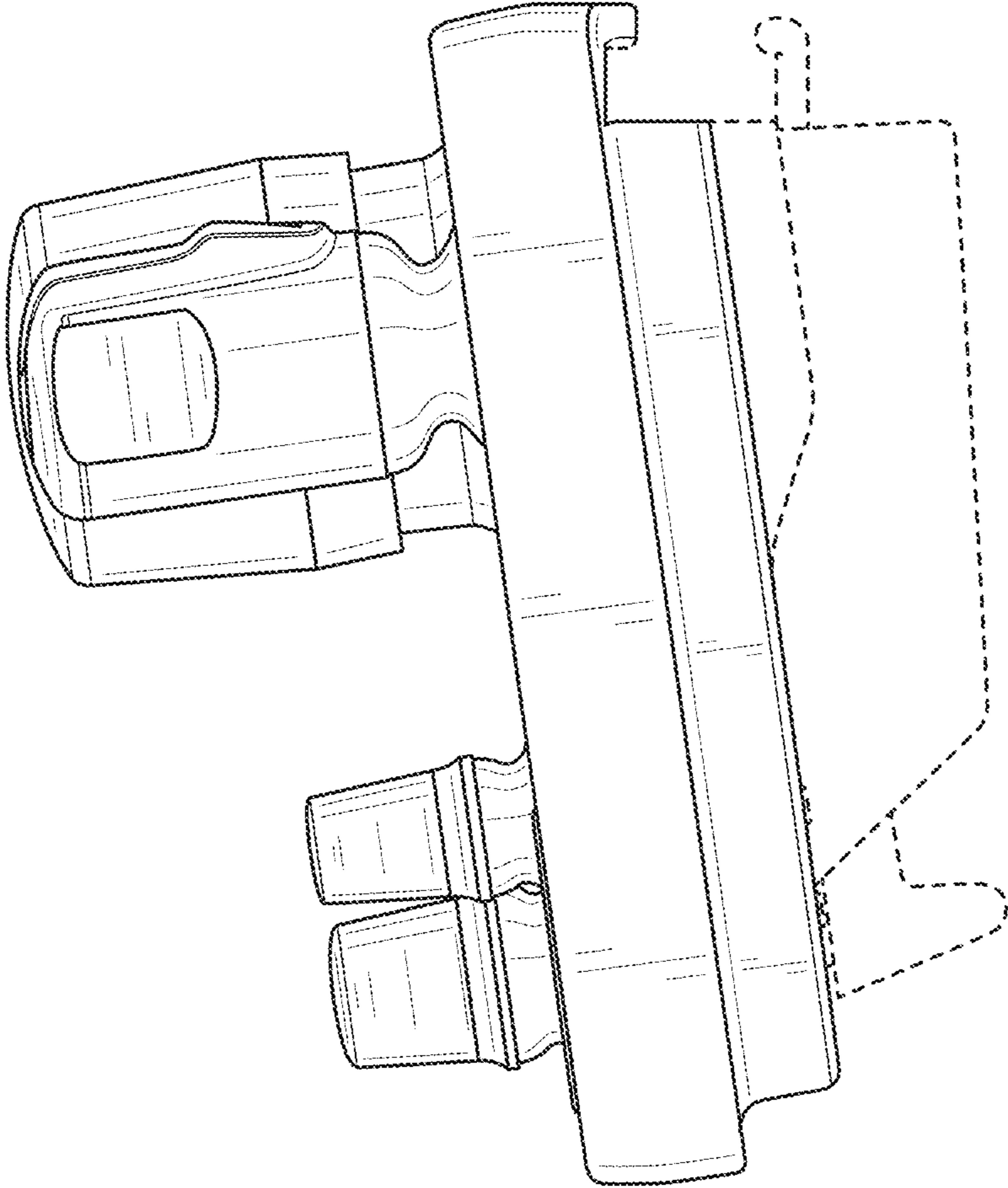


FIG. 7

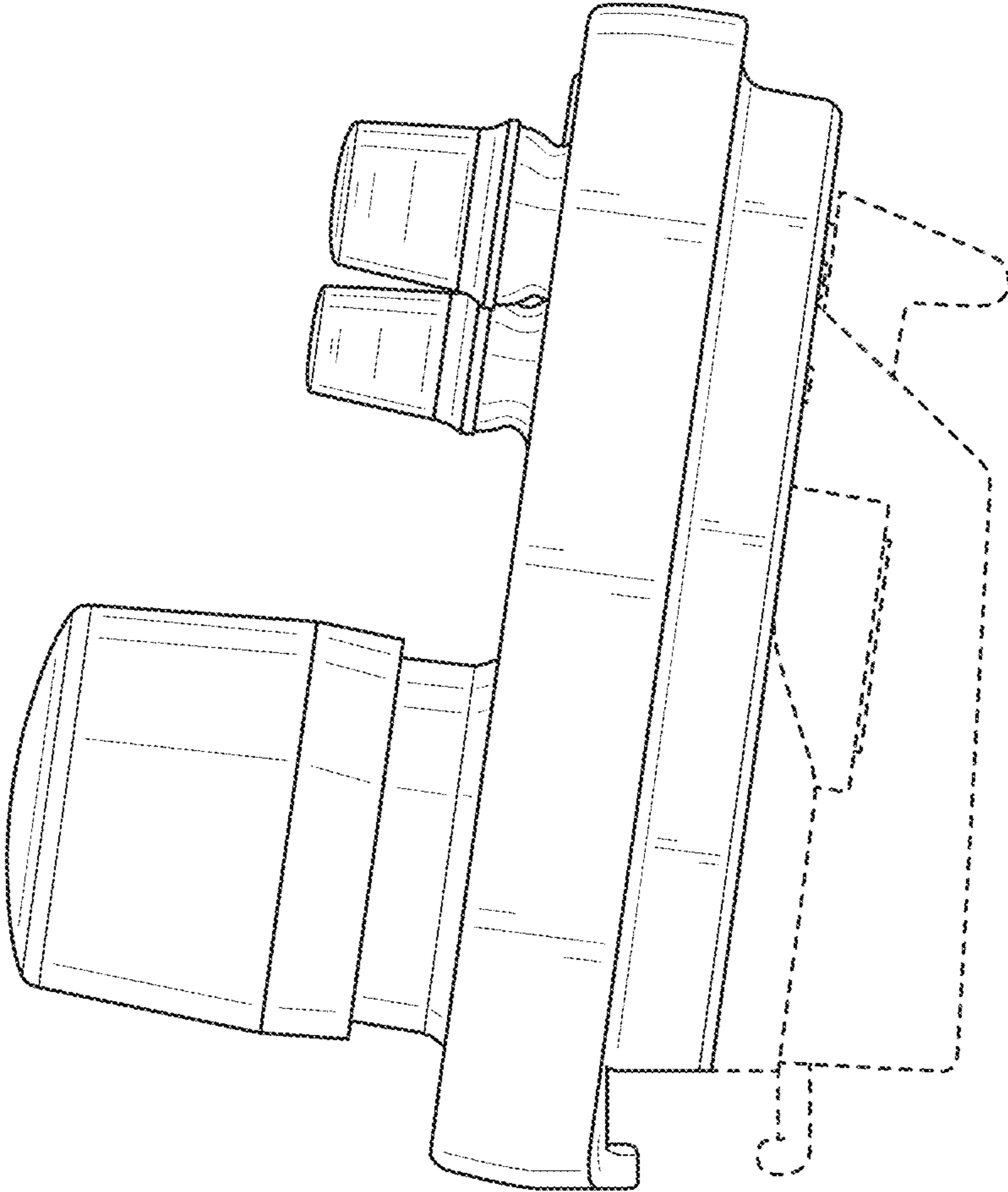


FIG. 8

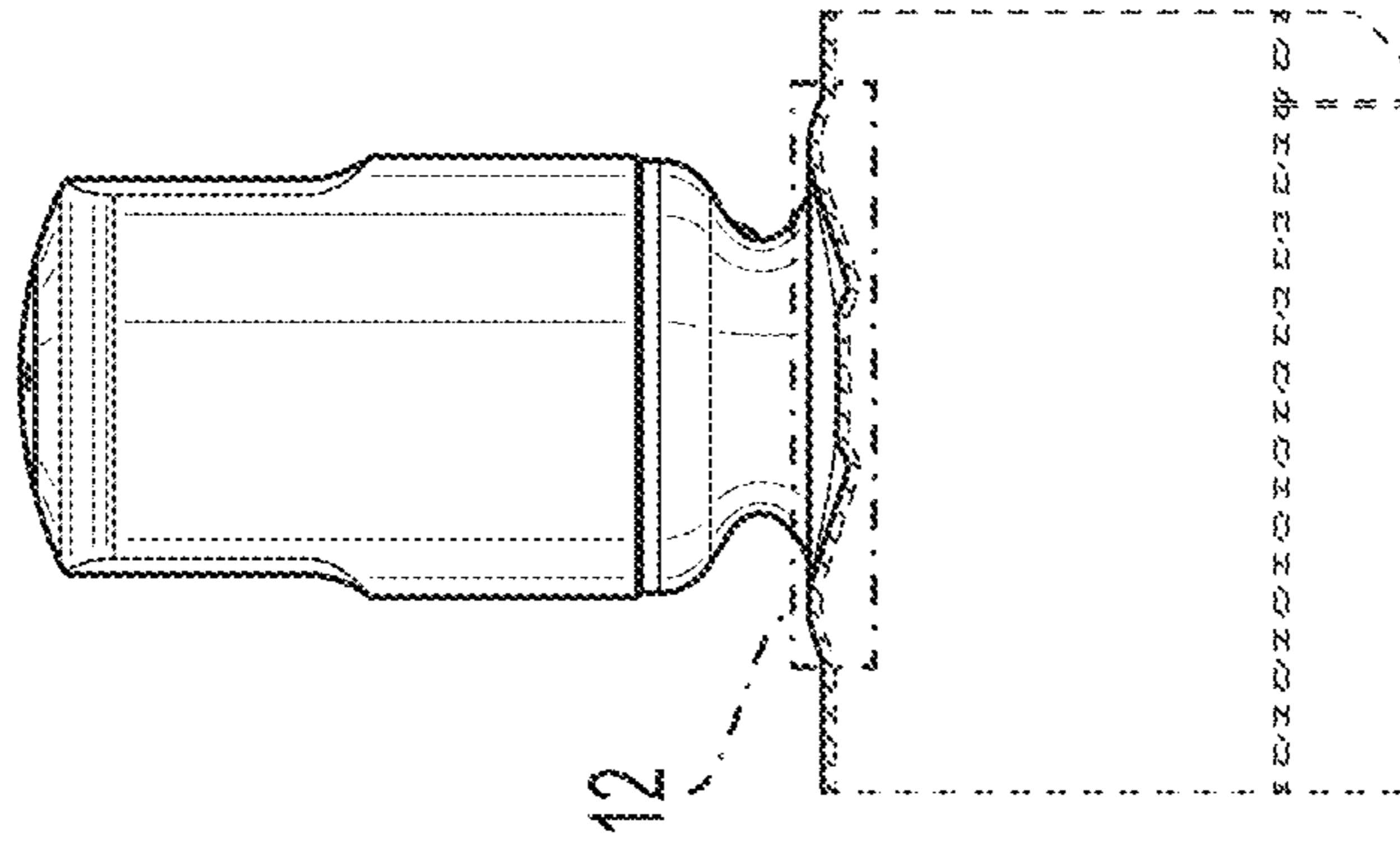


FIG. 9

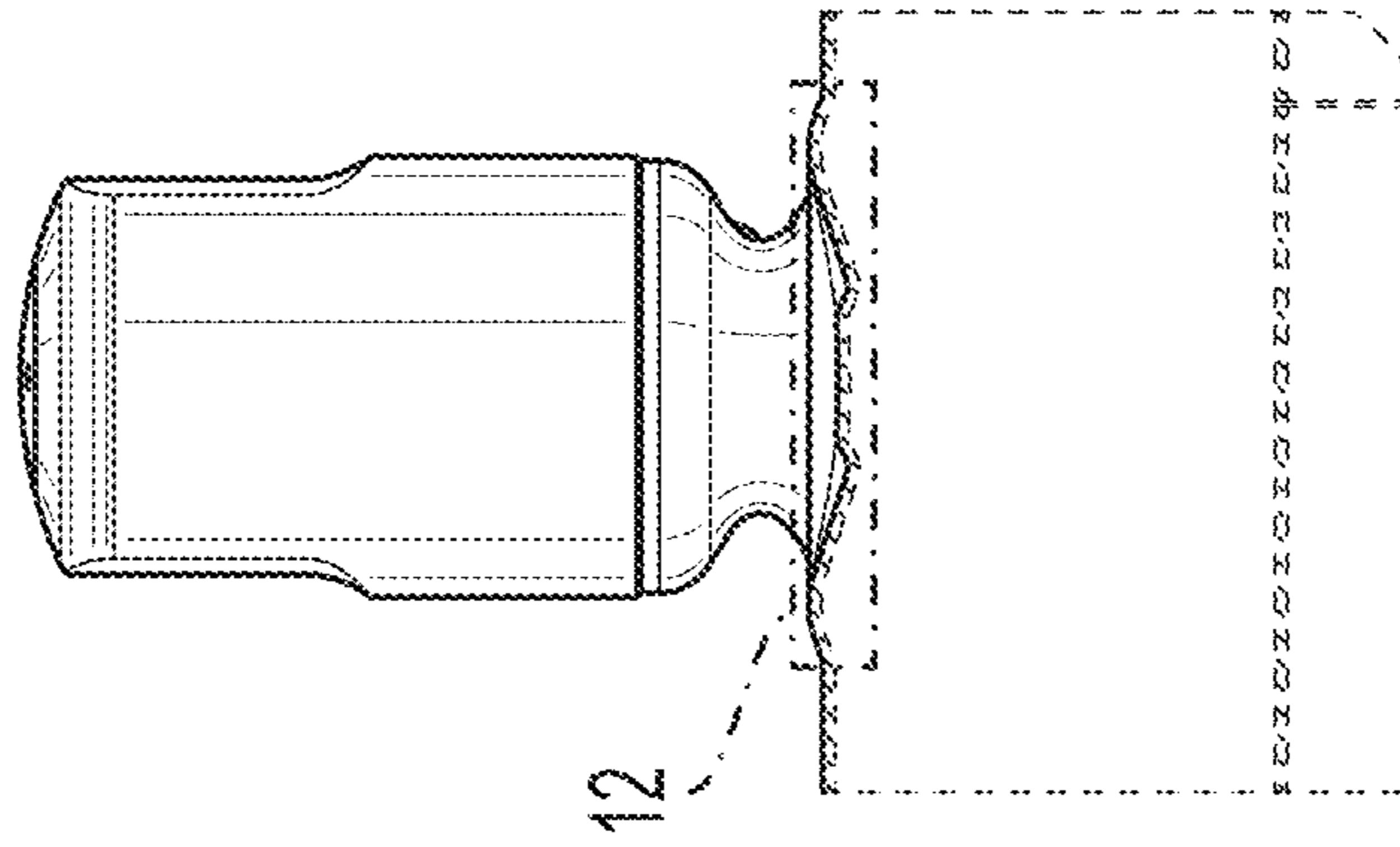


FIG. 10

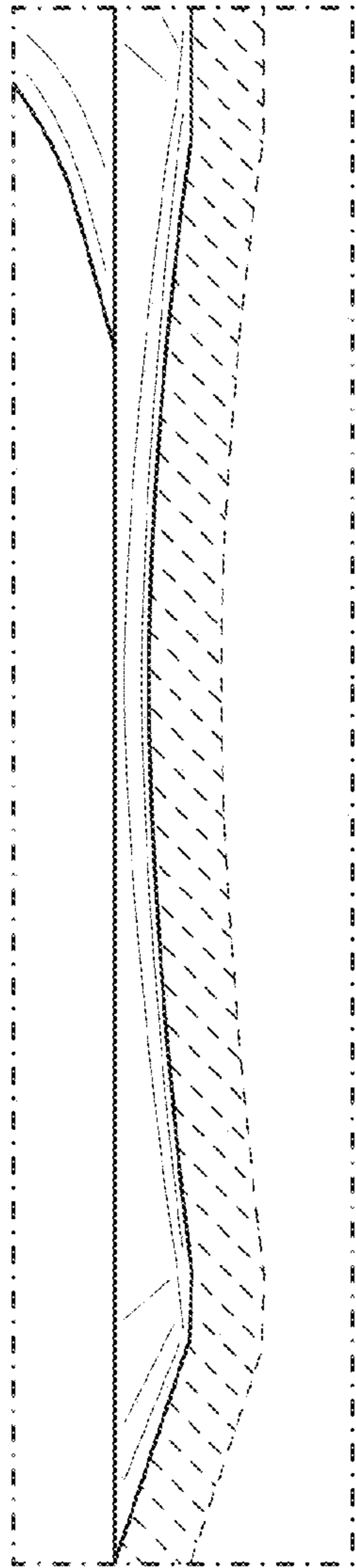


FIG. 11

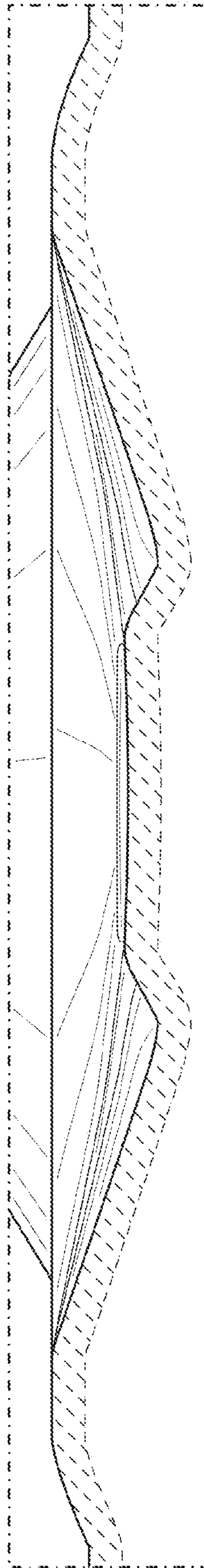


FIG. 12

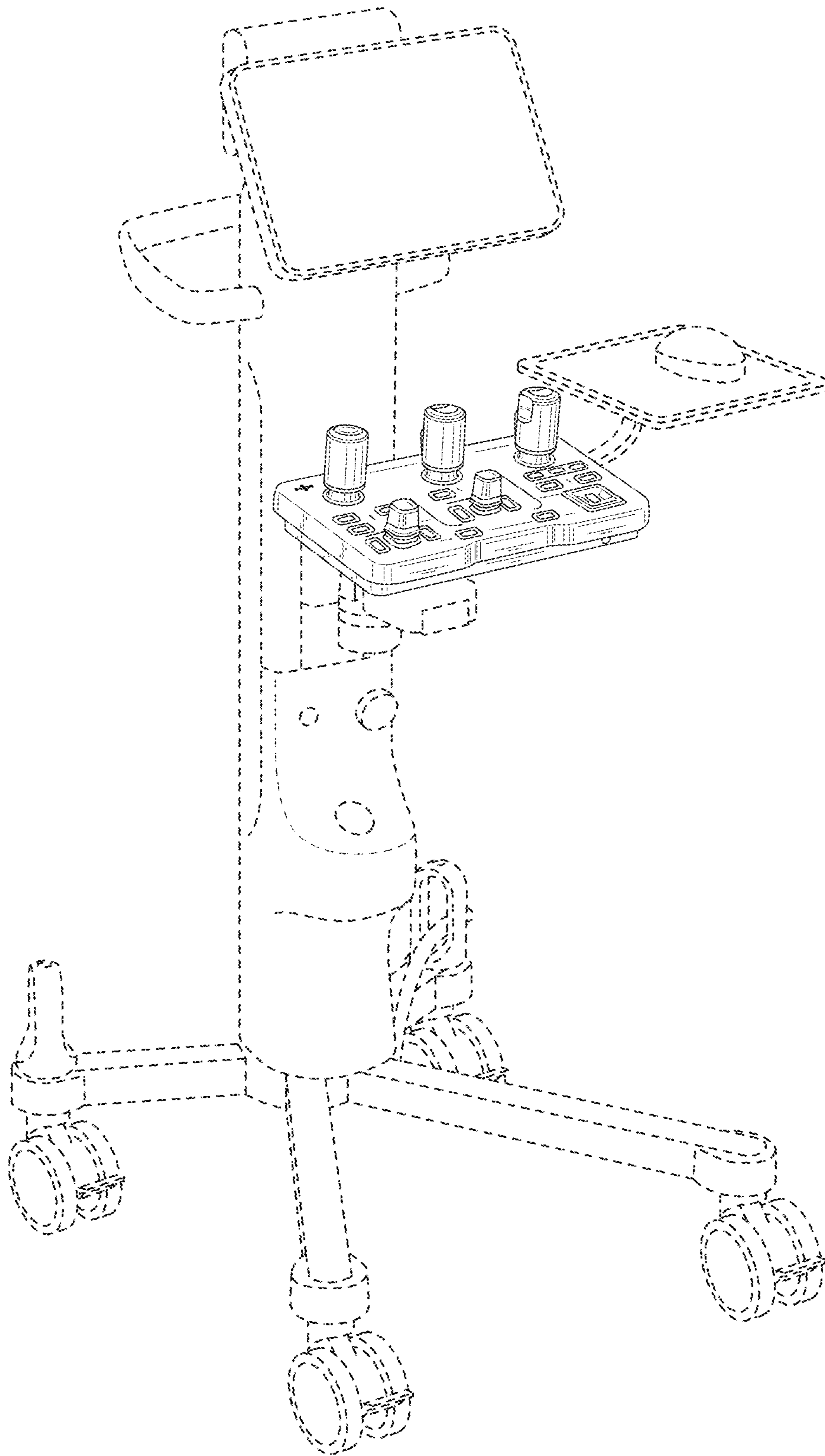


FIG. 13

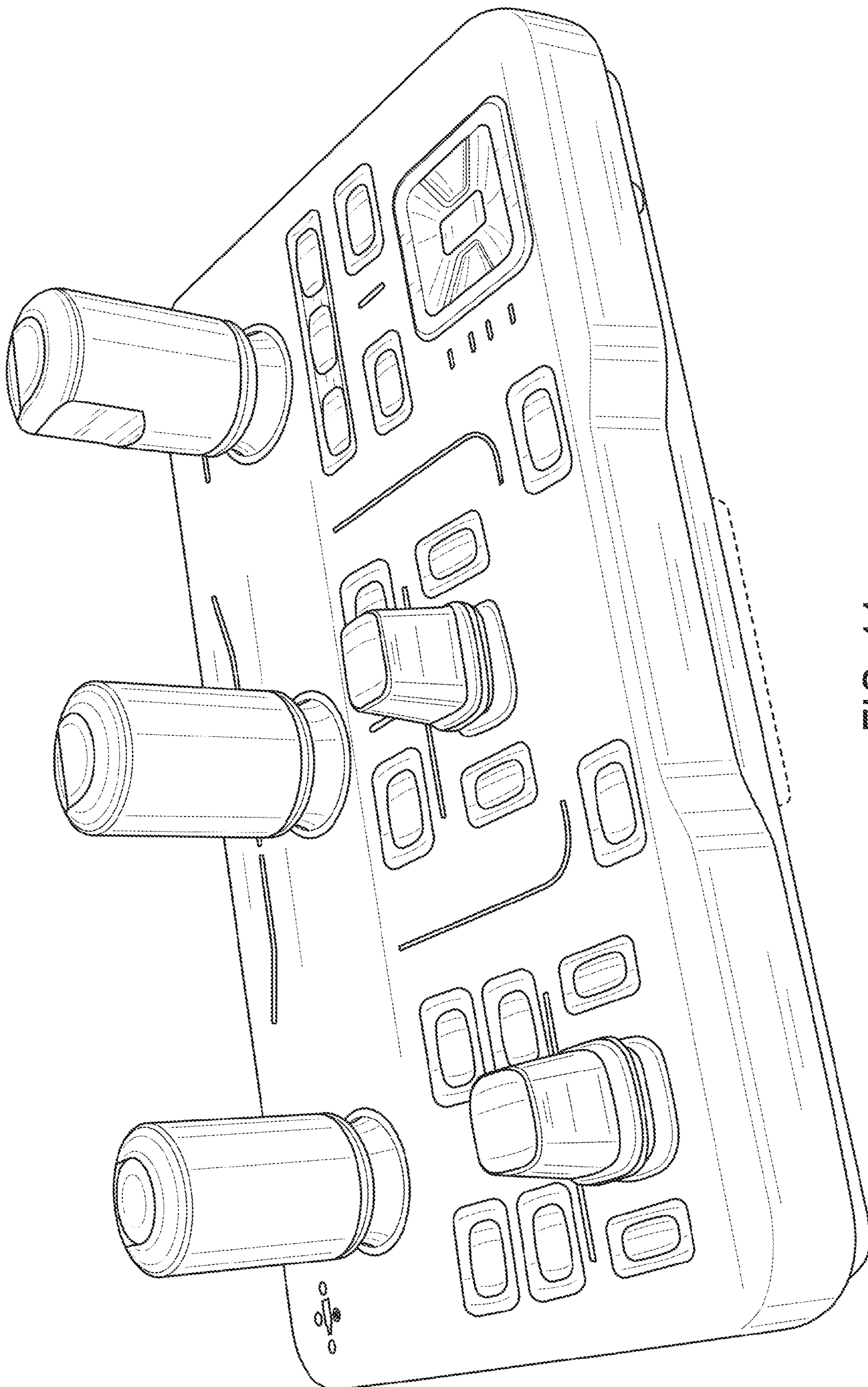


FIG. 14

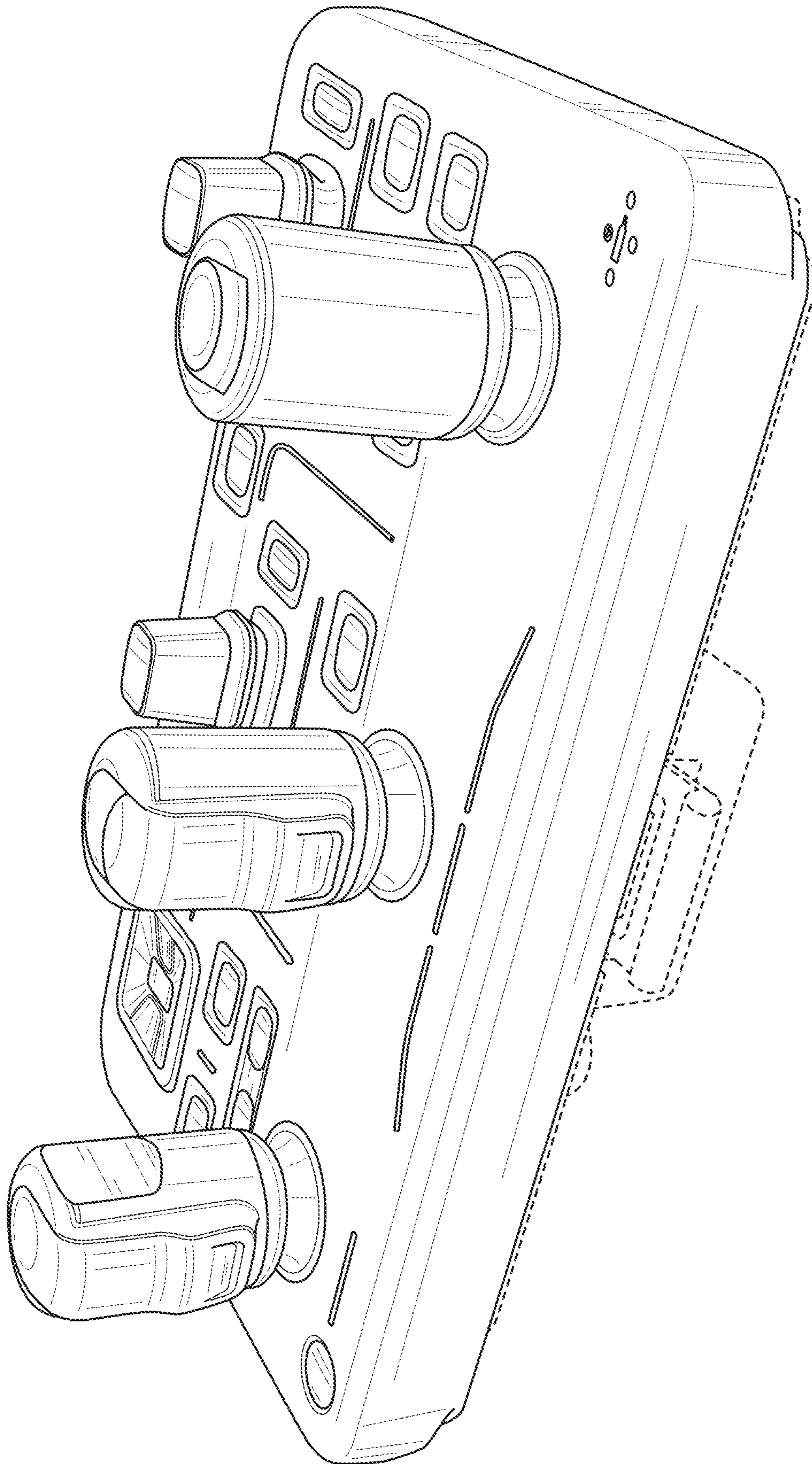


FIG. 15

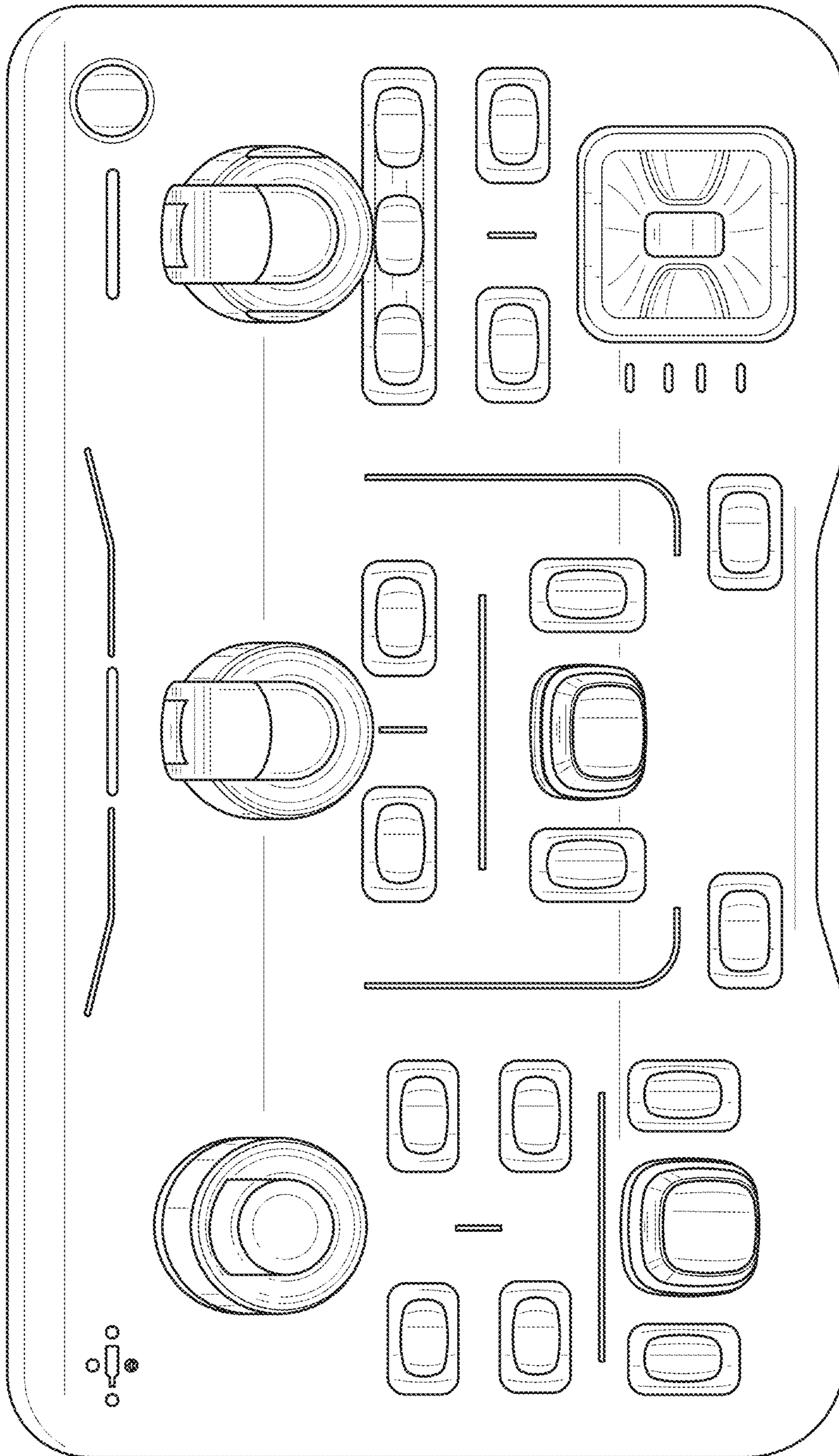


FIG. 16

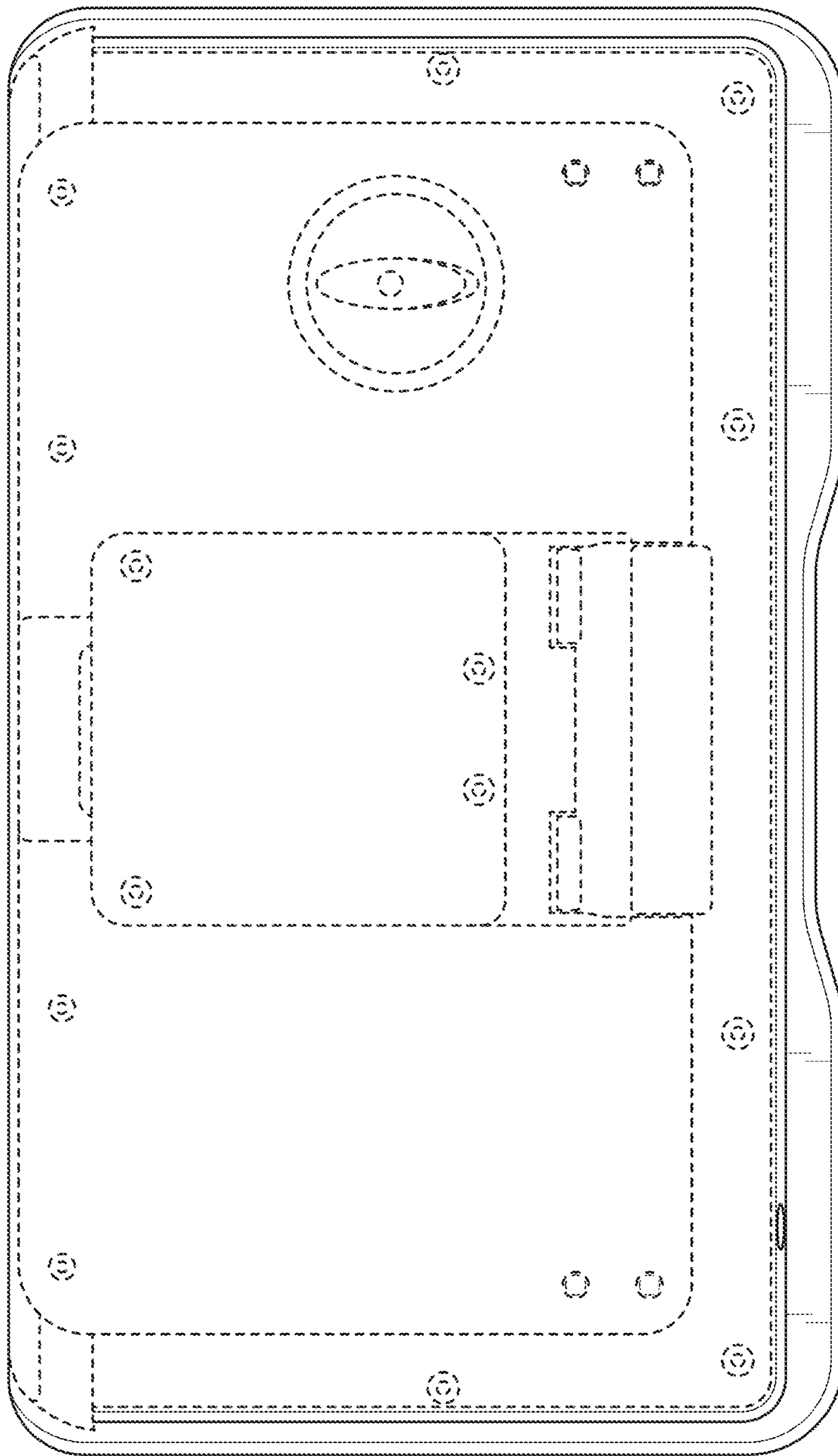


FIG. 17

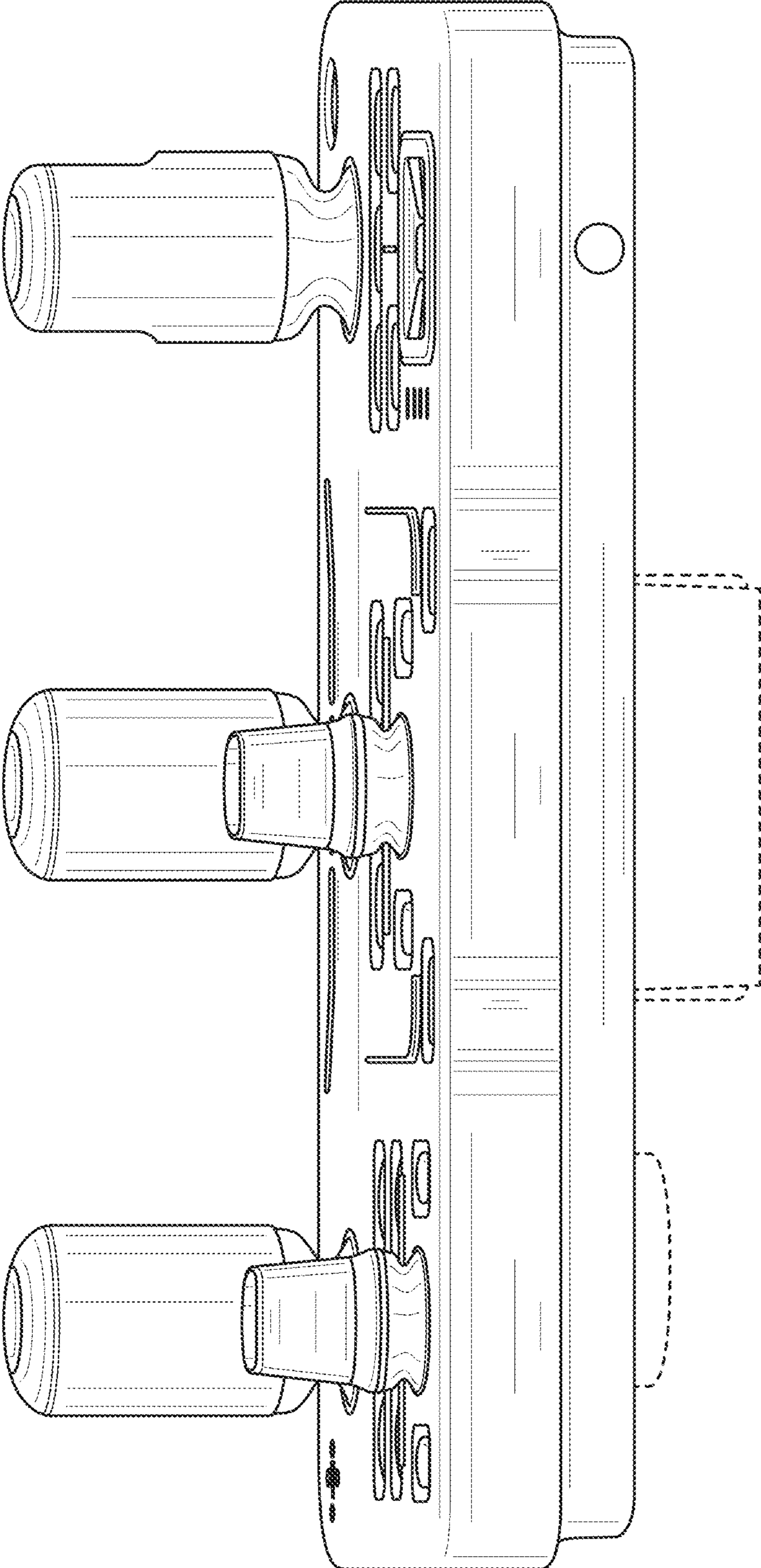


FIG. 18

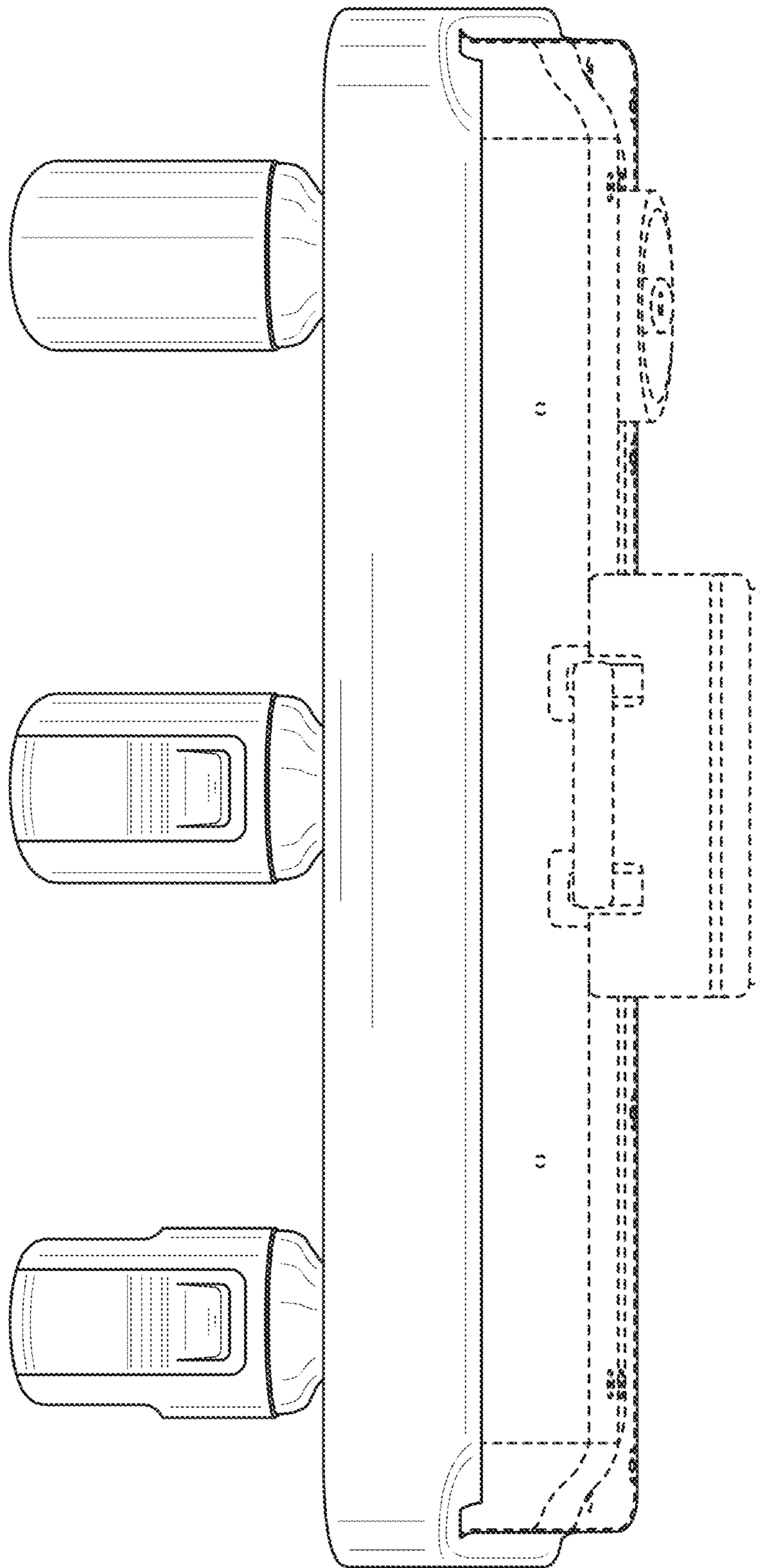


FIG. 19

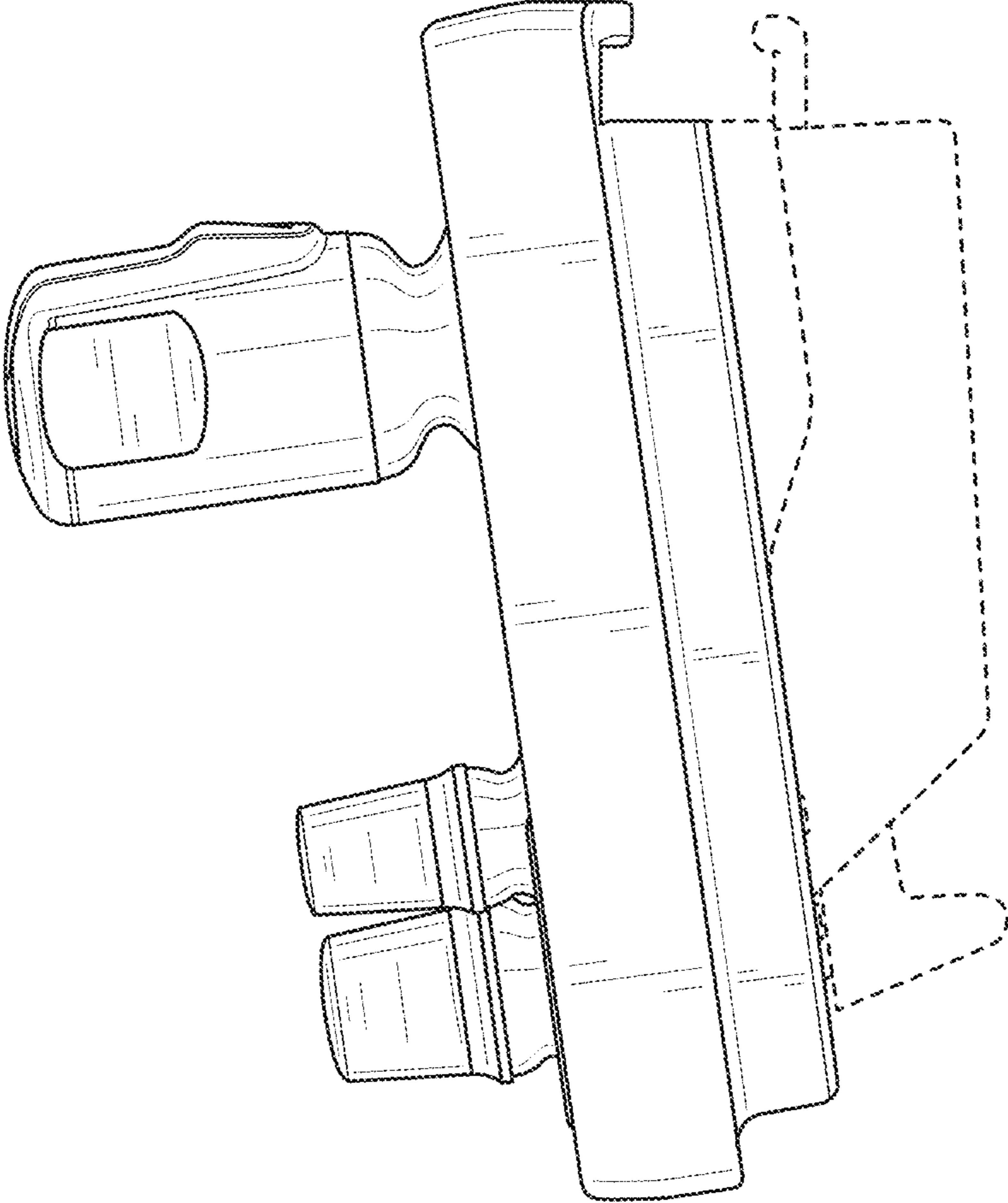


FIG. 20

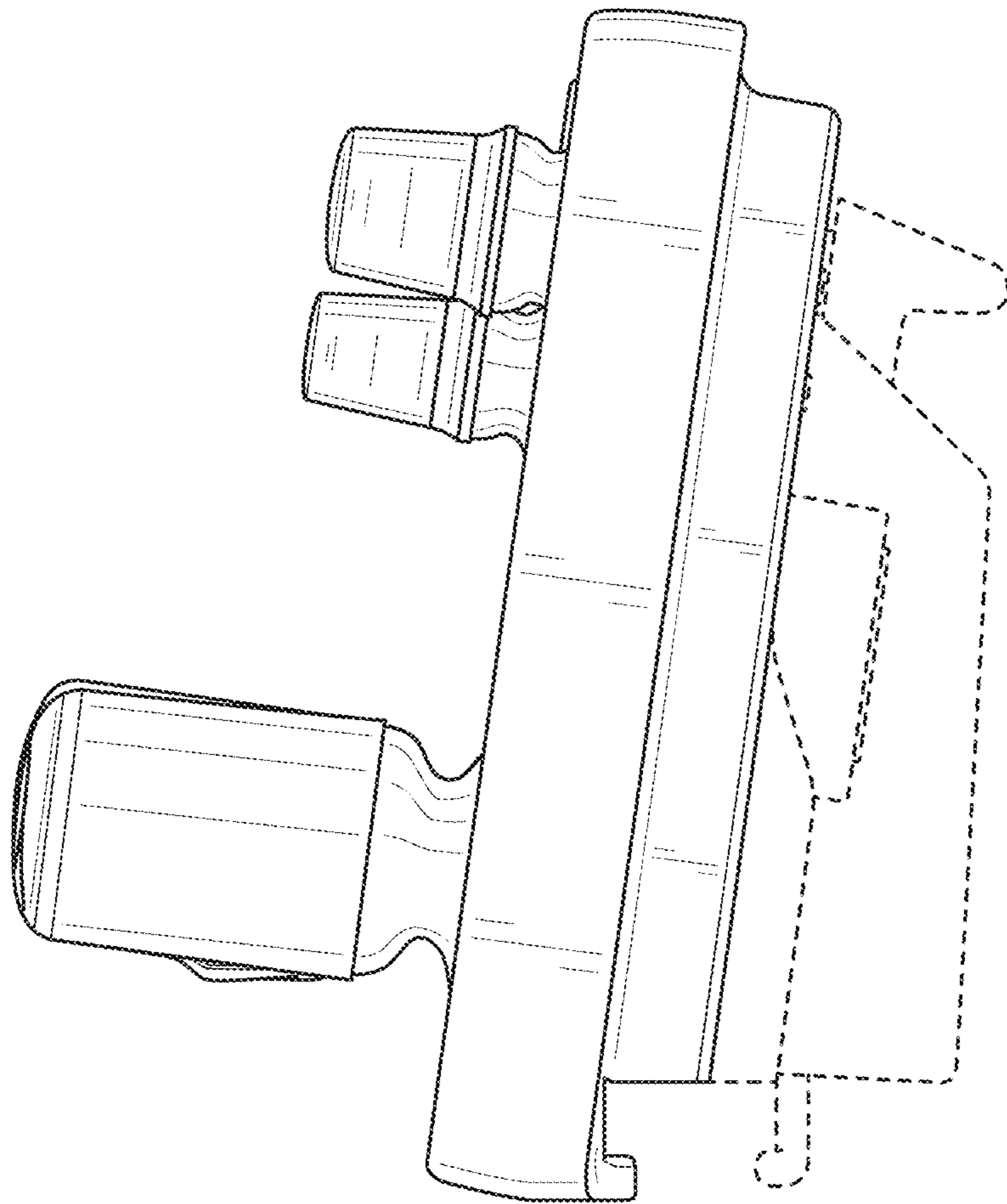


FIG. 21

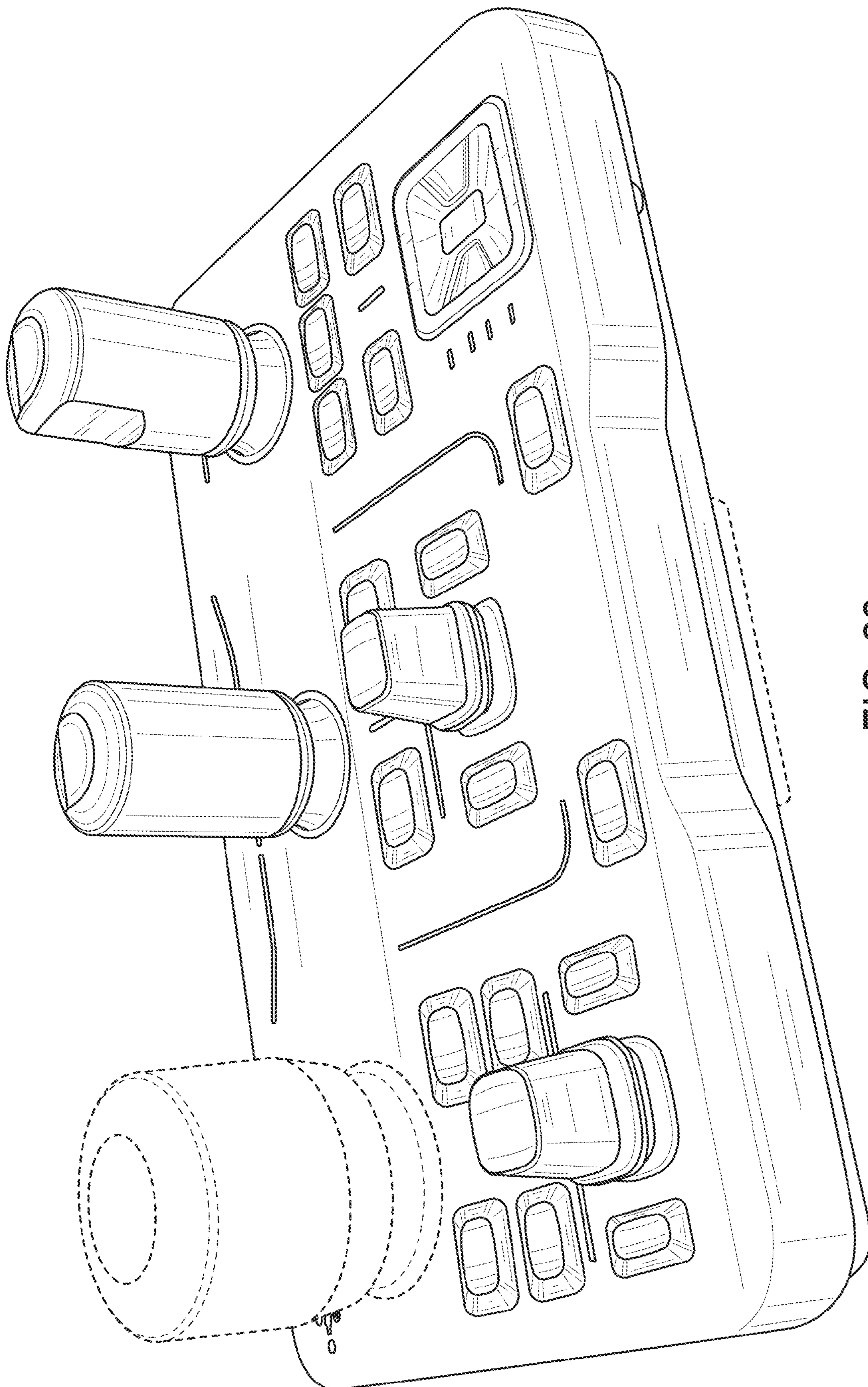


FIG. 22

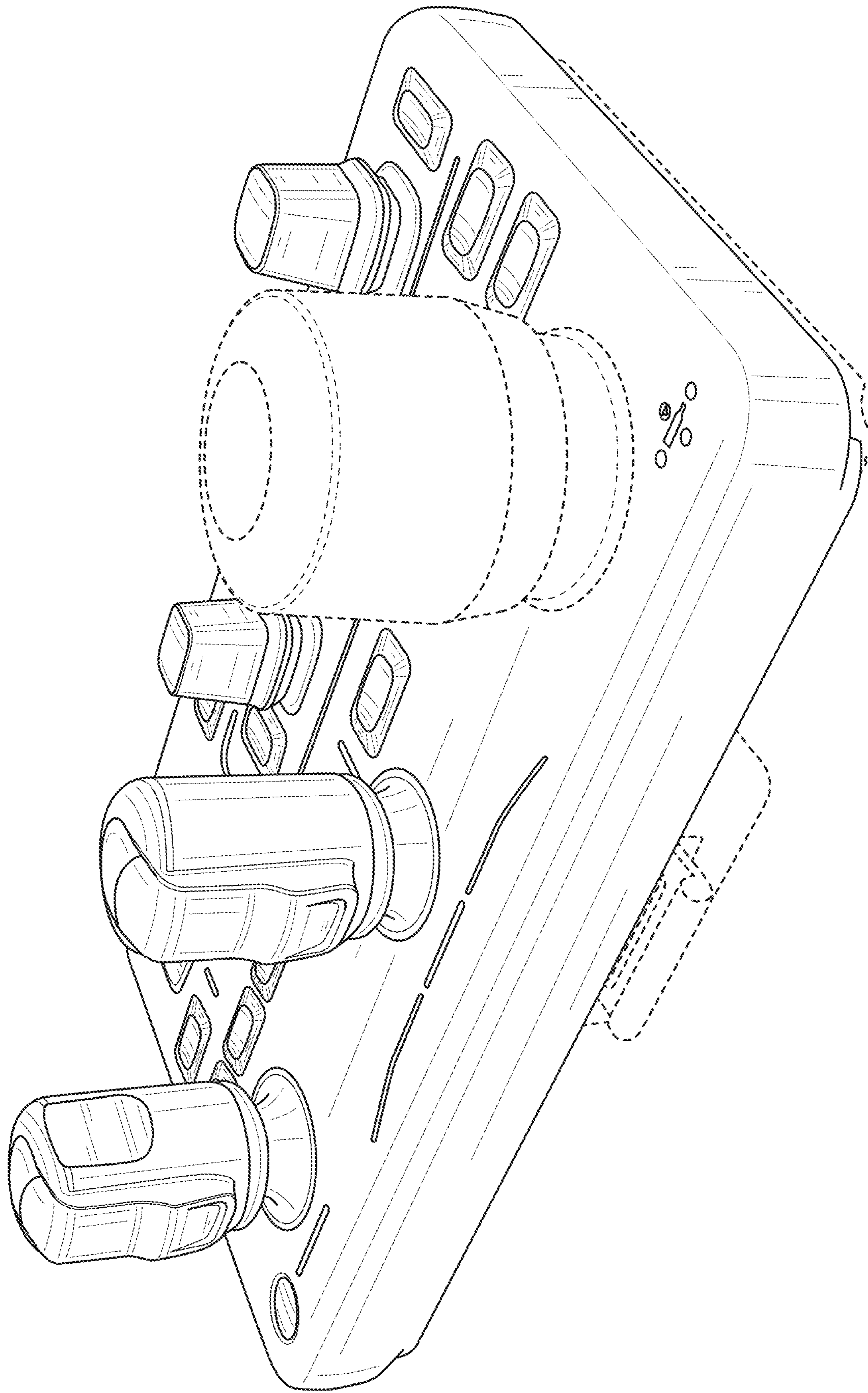


FIG. 23

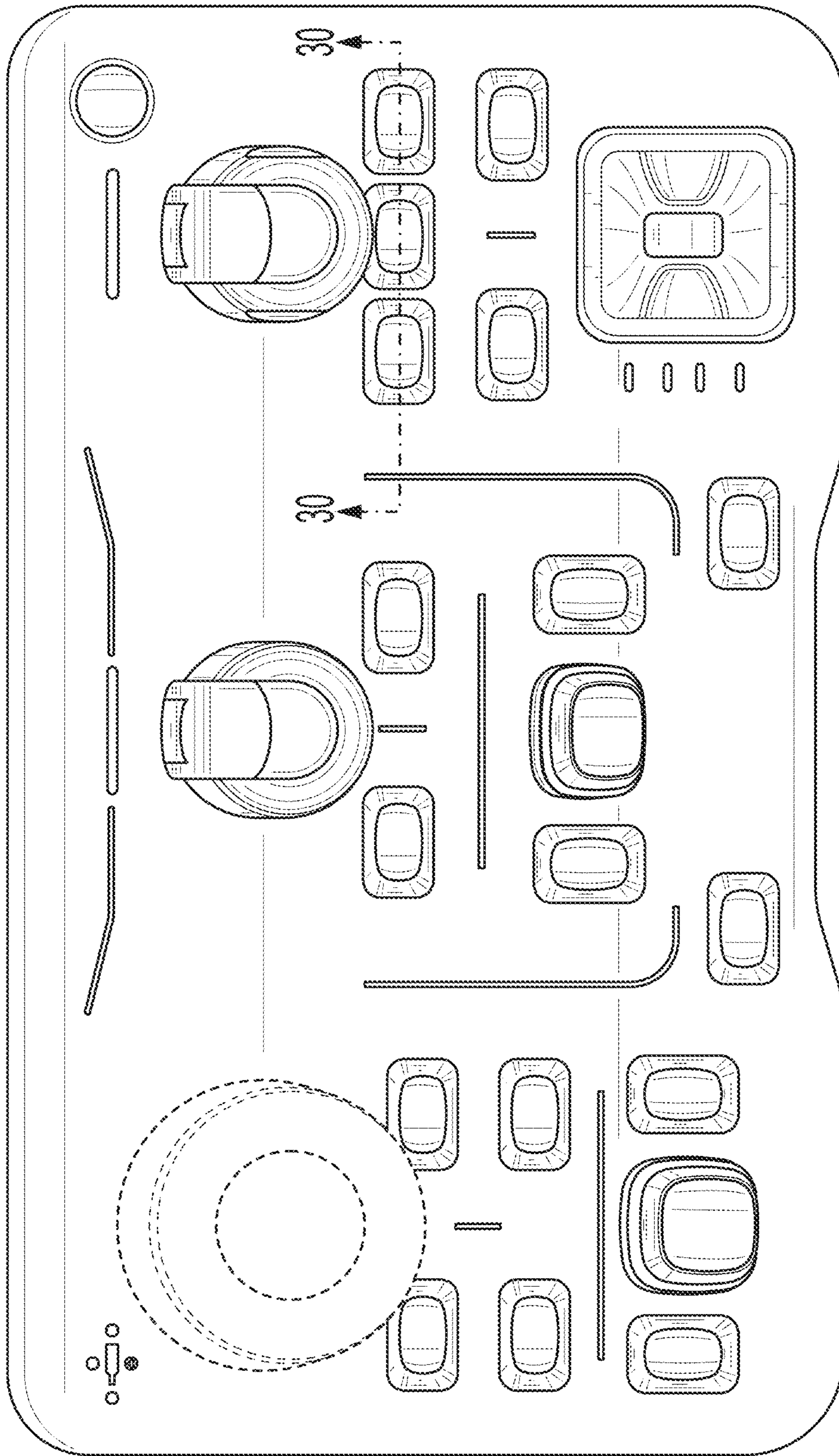


FIG. 24

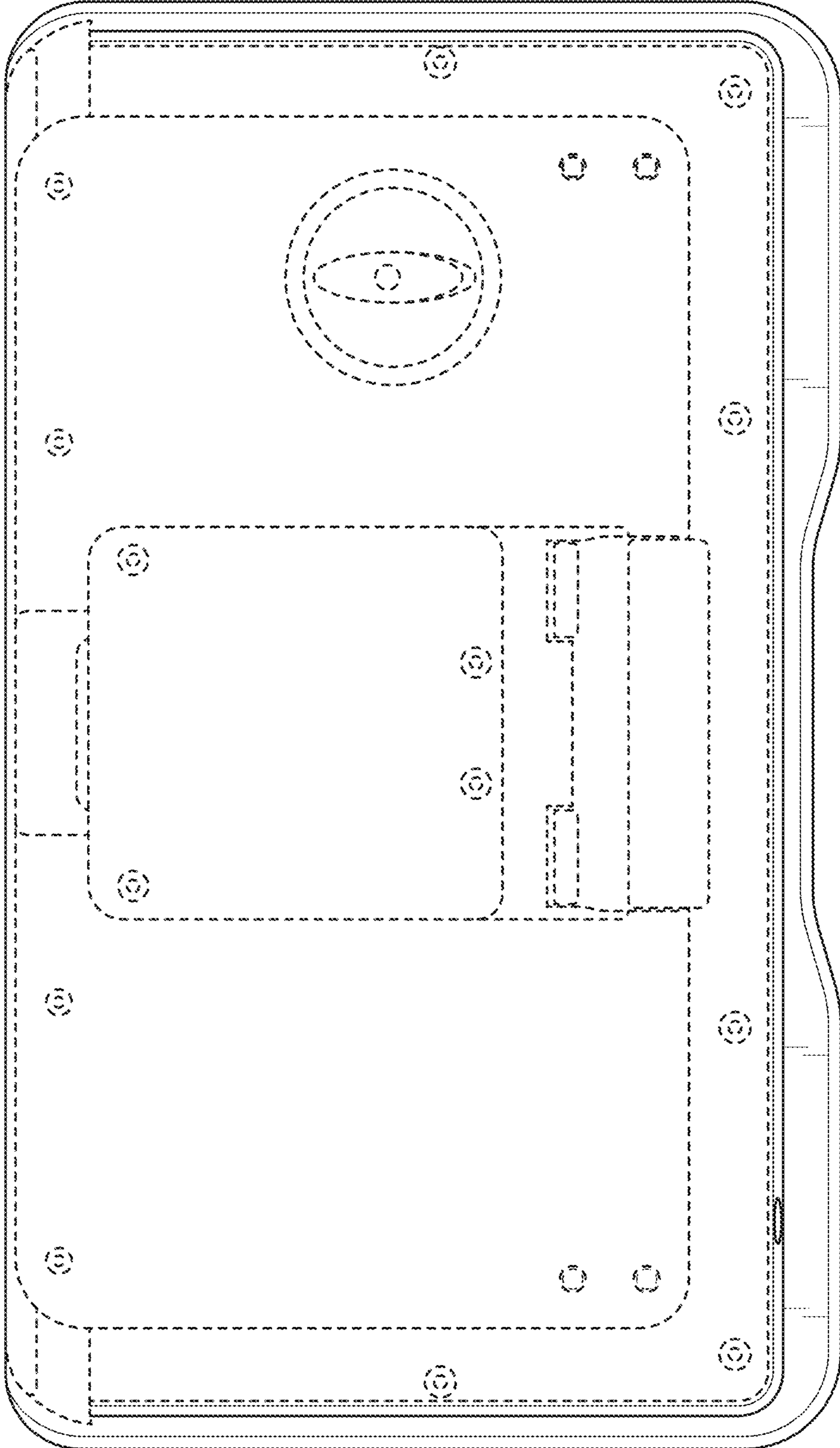


FIG. 25

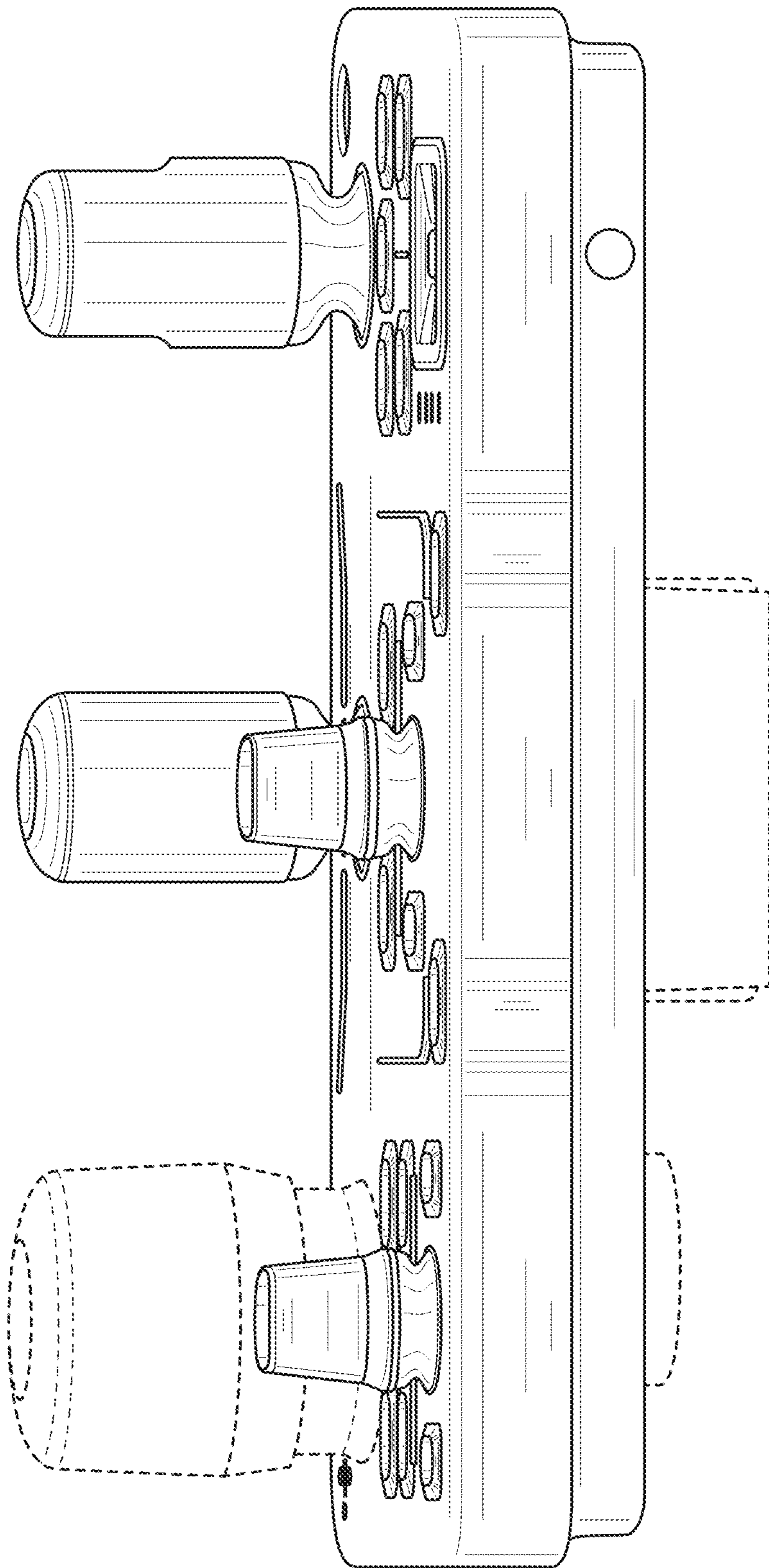


FIG. 26

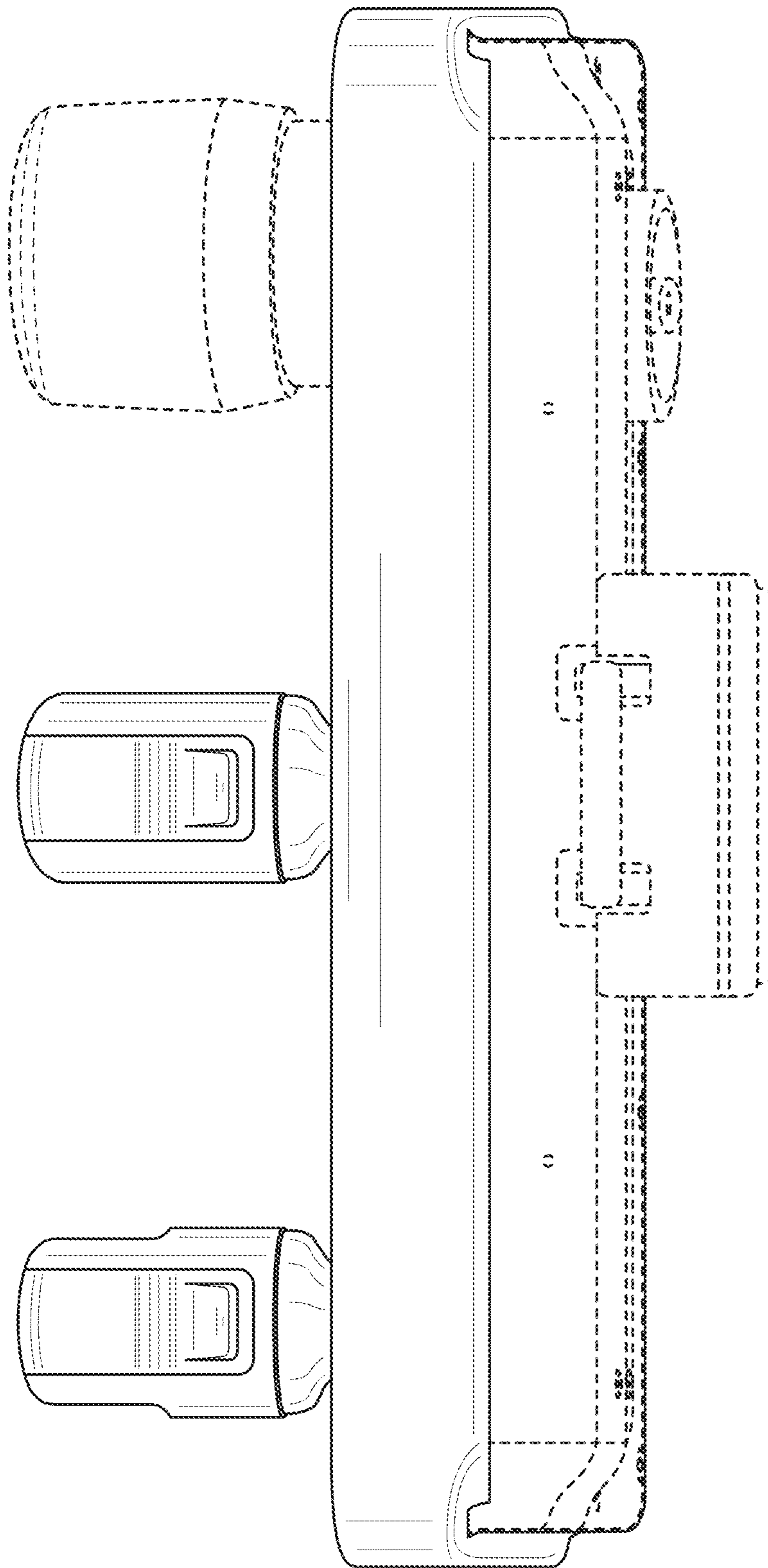


FIG. 27

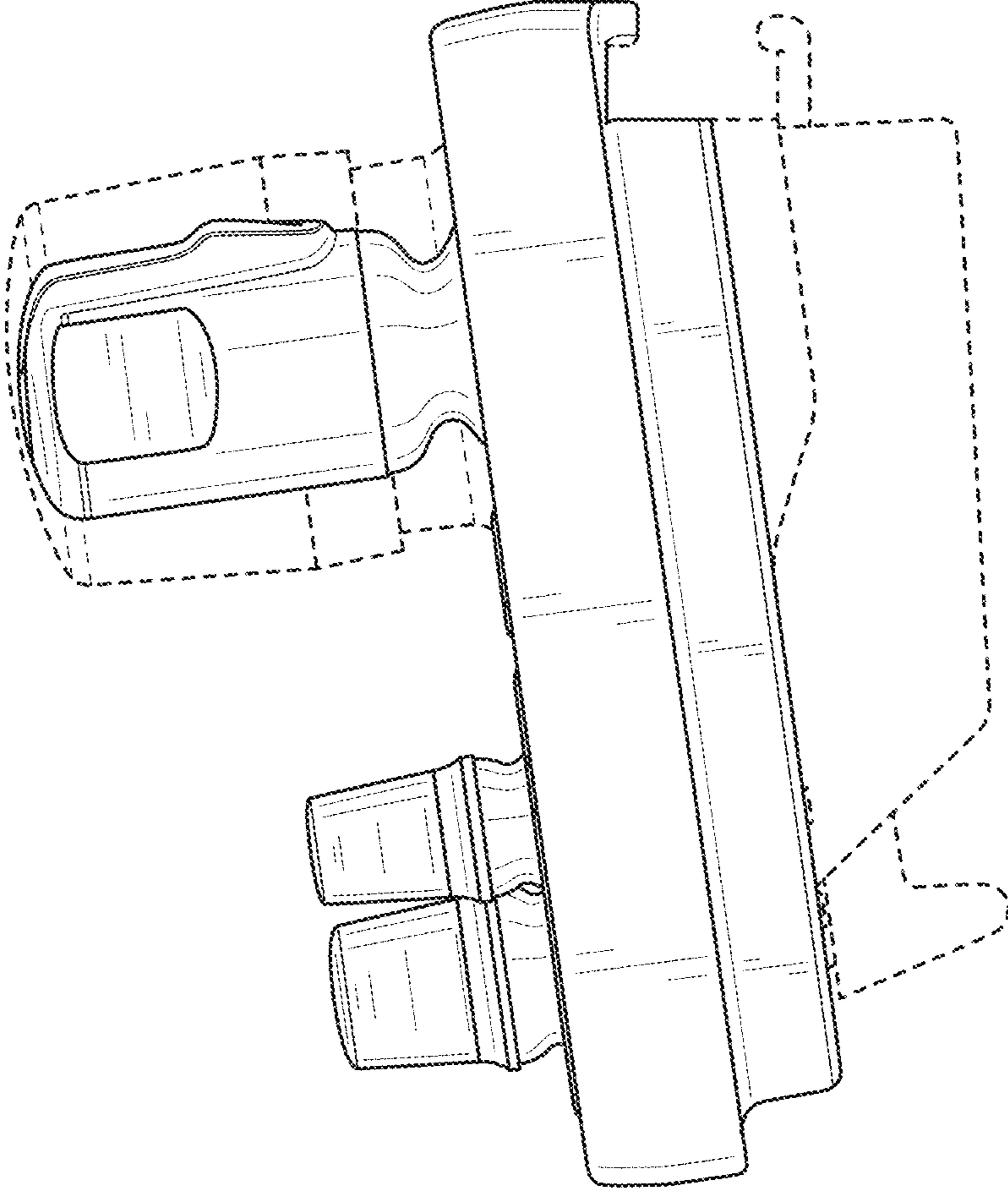


FIG. 28

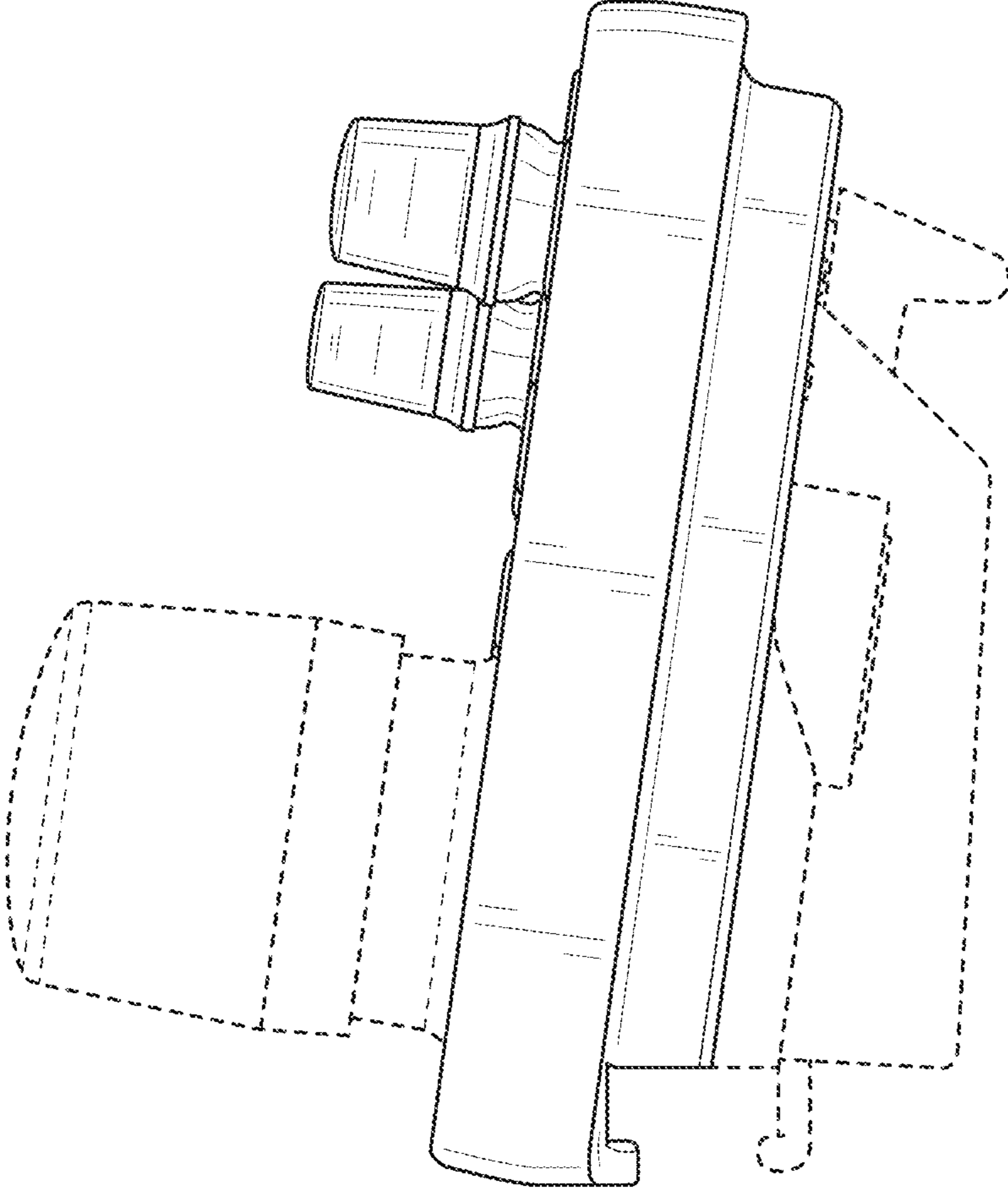


FIG. 29

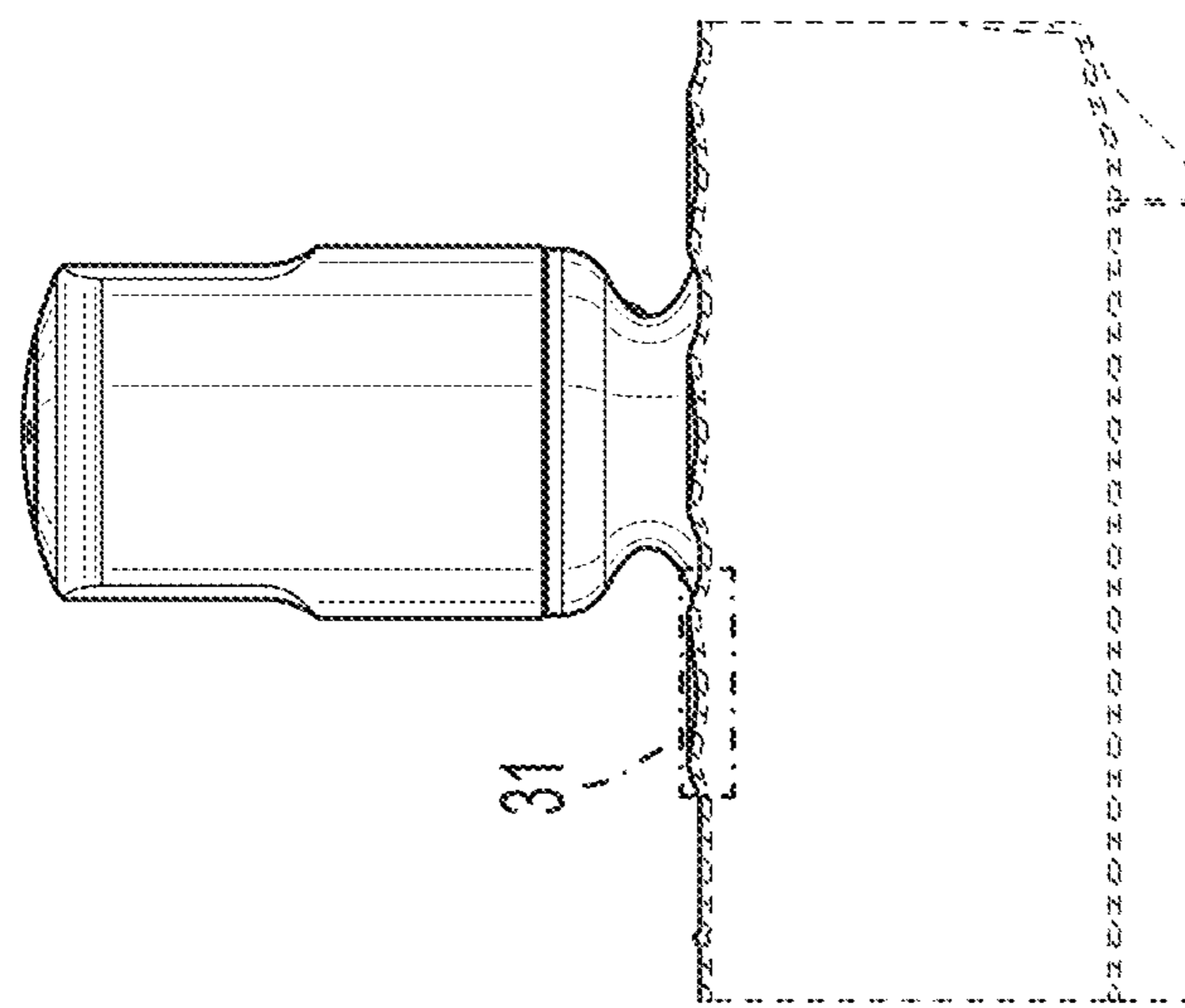


FIG. 30

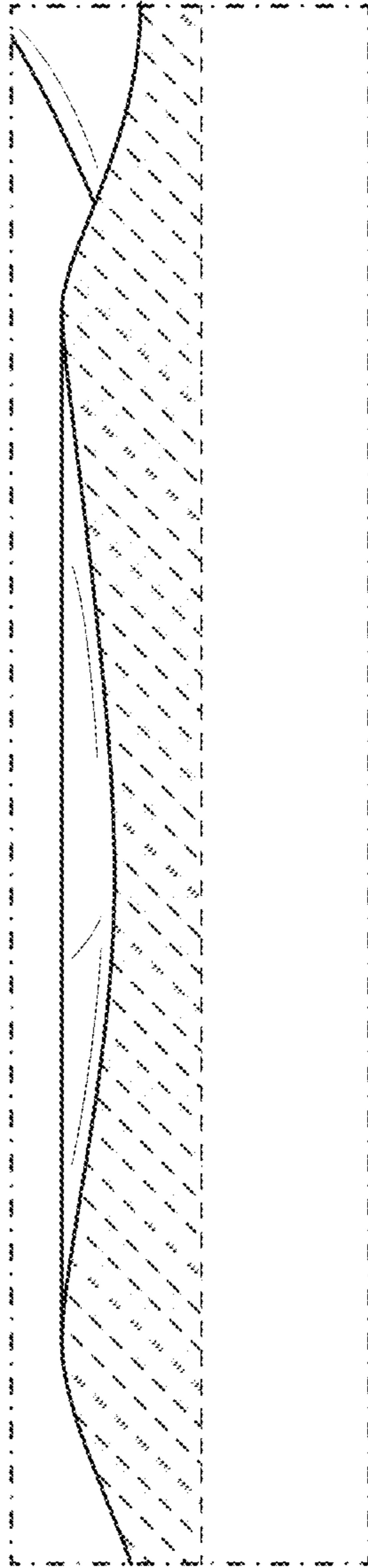


FIG. 31