



US00D933227S

(12) **United States Design Patent** (10) **Patent No.:** **US D933,227 S**  
**Cady et al.** (45) **Date of Patent:** **\*\* Oct. 12, 2021**

(54) **SURGICAL TOOL**

(71) Applicant: **OnPoint Vision, Inc.**, Aliso Viejo, CA (US)  
(72) Inventors: **Kevin J. Cady**, Saint Charles, IL (US); **Jonathan R. Soiseth**, Pomona, CA (US)  
(73) Assignee: **OnPoint Vision, Inc.**, Aliso Viejo, CA (US)

(\*\*) Term: **15 Years**

(21) Appl. No.: **29/705,169**

(22) Filed: **Sep. 10, 2019**

**Related U.S. Application Data**

(63) Continuation of application No. 16/280,235, filed on Feb. 20, 2019.

(51) **LOC (13) Cl.** ..... **24-02**

(52) **U.S. Cl.**  
USPC ..... **D24/150**

(58) **Field of Classification Search**  
USPC .... D6/522, 523, 525, 526, 553, 566; D8/49, D8/51, 52, 59, 60, 64, 82, 85, 86, 95, 97, D8/300, 303, 349, 499; D14/372; D15/138, 139; D16/100, 130, 309; D24/108, 112, 113, 114, 115, 119, 127, D24/128, 129, 130, 133, 137, 142, 144, D24/145, 146, 147, 148, 150, 155, 158, D24/160, 170, 171, 172, 173, 181, 185,  
(Continued)

(56) **References Cited**

**U.S. PATENT DOCUMENTS**

1,272,170 A \* 7/1918 Ziegler ..... A61B 17/0231 606/162  
5,797,937 A \* 8/1998 Ichikawa ..... A61F 9/0133 606/131

(Continued)

**OTHER PUBLICATIONS**

Amazon, "Sheehan Surgical Straight Osteotome 12mm Hexagon Handle", first available Nov. 30, 2016. (<https://www.amazon.com/Sheehan-Surgical-Osteotome-12mm-Instrument/dp/B01N2OTSL6>) (Year: 2016).\*

(Continued)

*Primary Examiner* — April Rivas  
*Assistant Examiner* — Justin A Johnson

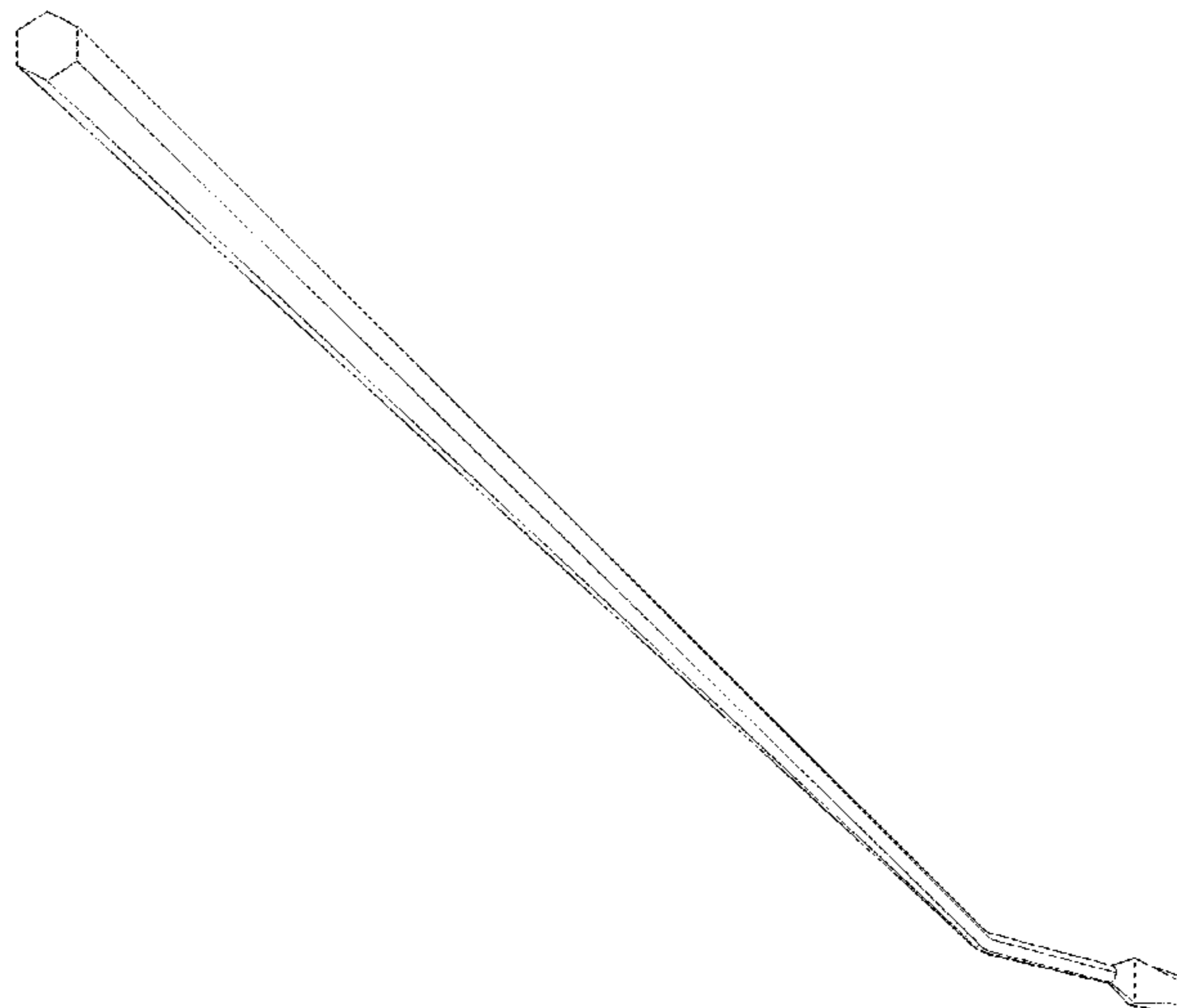
(57) **CLAIM**

The ornamental design for a surgical tool, as shown and described.

**DESCRIPTION**

FIG. 1 illustrates a perspective view of a surgical tool in accordance with this disclosure;  
FIG. 2 illustrates a side view of the surgical tool of FIG. 1 in accordance with this disclosure;  
FIG. 3 illustrates a top view of the surgical tool of FIG. 1 in accordance with this disclosure;  
FIG. 4 illustrates a front view of the surgical tool of FIG. 1 in accordance with this disclosure;  
FIG. 5 illustrates a perspective view of a portion of the surgical tool of FIG. 1, including the tip of the surgical tool of FIG. 1, in accordance with this disclosure;  
FIG. 6 illustrates a side view of the tip of the surgical tool of FIG. 1 in accordance with this disclosure;  
FIG. 7 illustrates a top view of the tip of the surgical tool of FIG. 1 in accordance with this disclosure; and,  
FIG. 8 illustrates a front view of the tip of the surgical tool of FIG. 1 in accordance with this disclosure.  
Any broken lines in the drawings show environmental structures or boundaries that form no part of the design to be patented.

**1 Claim, 5 Drawing Sheets**



(58) **Field of Classification Search**

USPC ..... D24/186, 188, 200, 215, 216, 222, 231,  
 D24/232; D25/38.1, 41.1; D10/57  
 CPC ..... A61B 3/00; A61B 3/0016; A61B 3/0025;  
 A61B 3/0033; A61B 3/0041; A61B  
 3/0075; A61B 3/0083; A61B 3/0091;  
 A61B 3/02; A61B 3/10; A61B 3/1005;  
 A61B 3/12; A61B 3/13; A61B 3/18;  
 A61B 17/00; A61B 2017/00349; A61B  
 2017/00455; A61B 2017/00464; A61B  
 2017/00473; A61B 2017/0053; A61B  
 17/0057; A61B 17/0231; A61B 17/04;  
 A61B 17/064; A61B 17/0642; A61B  
 17/0643; A61B 17/0644; A61B  
 2017/0688; A61B 17/14; A61B 17/142;  
 A61B 17/15; A61B 17/151; A61B  
 17/154; A61B 17/157; A61B 17/158;  
 A61B 17/16; A61B 17/1613; A61B  
 17/1615; A61B 17/1617; A61B  
 2090/0817; A61B 2017/00663; A61B  
 17/0401; A61B 2017/0404; A61B 10/00;  
 A61B 10/02; A61B 2010/0208; A61B  
 10/04; A61B 2010/045; B23D 51/025;  
 A61F 9/00; A61F 9/007; A61F 9/0133;  
 A61F 2210/0004; A61H 5/00; A61H  
 5/005; A61H 2205/022; E21B 10/00;  
 B28B 7/00; B28B 7/0002; B28B 7/0032;  
 B28B 7/0094; B28B 7/16; B28B 7/18

See application file for complete search history.

(56)

**References Cited**

U.S. PATENT DOCUMENTS

D612,049 S \* 3/2010 Baynham ..... A61F 9/0133  
 D24/146  
 D785,796 S \* 5/2017 Efinger ..... A61B 17/3213  
 D24/147

D898,914 S \* 10/2020 Niver ..... A61B 17/3213  
 D24/147  
 2002/0026205 A1\* 2/2002 Matsutani ..... A61F 9/0133  
 606/167  
 2004/0010278 A1\* 1/2004 Nakamura ..... A61B 17/3213  
 606/170  
 2004/0089159 A1\* 5/2004 Matsutani ..... A61B 17/3211  
 99/339  
 2006/0058824 A1\* 3/2006 Kozlowski ..... A61F 9/0133  
 606/167  
 2006/0149194 A1 7/2006 Conston et al.  
 2010/0023041 A1\* 1/2010 Satake ..... A61B 17/3213  
 606/167  
 2012/0191114 A1\* 7/2012 Packard ..... A61F 9/0133  
 606/167  
 2013/0205584 A1\* 8/2013 Pham ..... A61B 17/32056  
 29/728  
 2019/0269555 A1\* 9/2019 Cady ..... A61F 2/1662

OTHER PUBLICATIONS

Open PR, “Ophthalmic Knives Market Competitive Analysis 2019”, first available Jul. 19, 2019. (<https://www.openpr.com/news/1807584/ophthalmic-knives-market-competitive-analysis-2019>) (Year: 2019).\*

Mani, “Ophthalmic Knife”, first accessed Jun. 2, 2021. (<http://www.mani.co.jp/en/pdf/O3OphthalmicKnife.pdf>) (Year: 2021).\*

AliExpress, “1pcs Titanium Alloy corneal Epithelium spatula ophthalmic surgical instrument”, first available Apr. 17, 2021. (<https://www.aliexpress.com/item/33037641174.html>) (Year: 2021).\*

“Steinert DSEK 50 Degree Stripping Spatula”, Katena Eye Instruments, available prior to Mar. 2, 2018, 7 pages.

“Spatula DK”, Millennium Surgical, available prior to Mar. 2, 2018, 2 pages.

“Koch Phacoemulsification Spatula”, Accutome by Keeler, available prior to Mar. 2, 2018, 2 pages.

“Refractive Instruments”, Medizinprodukte—Optha & Technologie, available prior to Mar. 2, 2018, 3 pages.

Katena Eye Instruments Catalog, 2007, 242 pages.

Notice of Allowance dated Dec. 24, 2020 in connection with U.S. Appl. No. 16/280,235, 24 pages.

\* cited by examiner

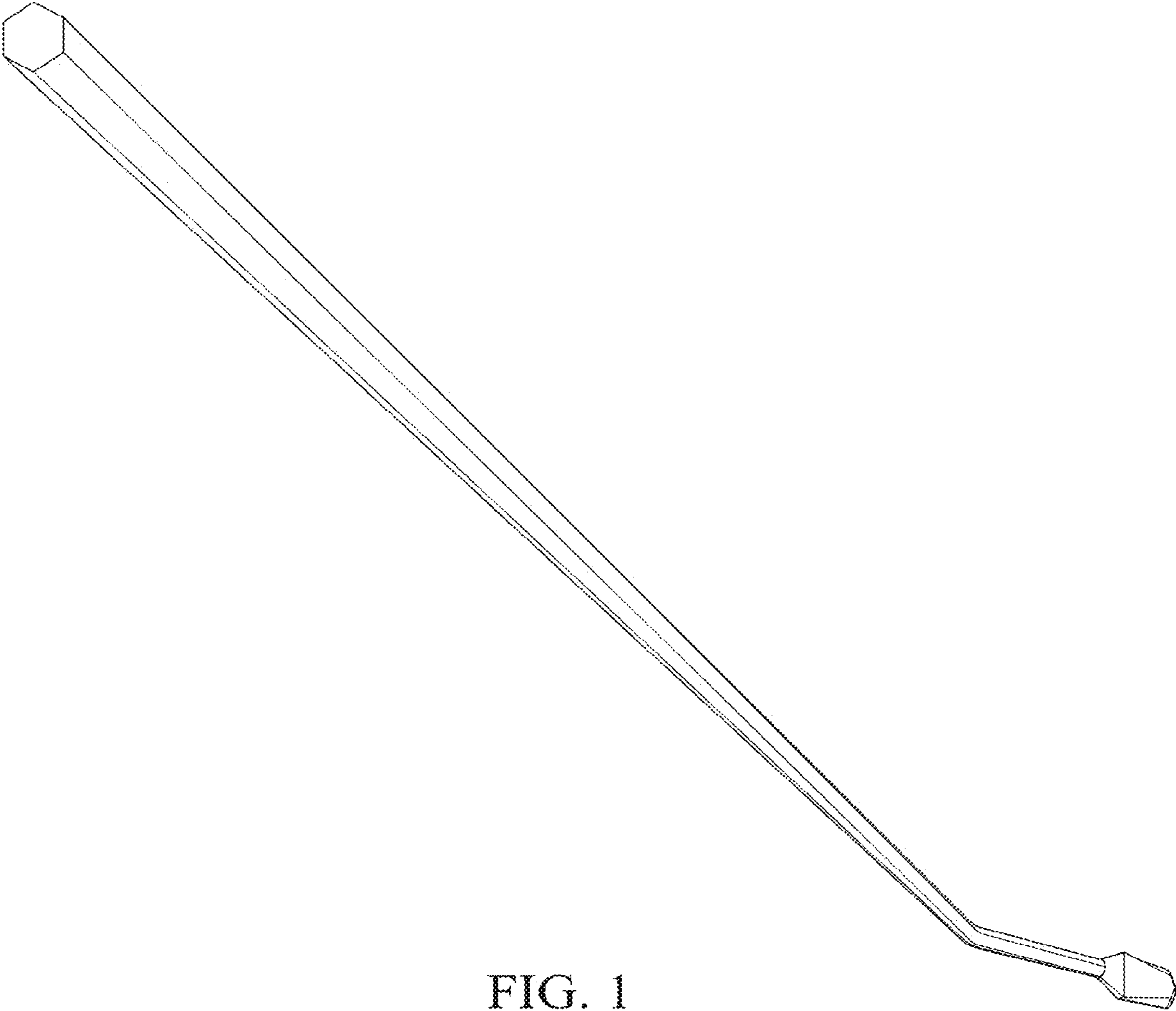


FIG. 1

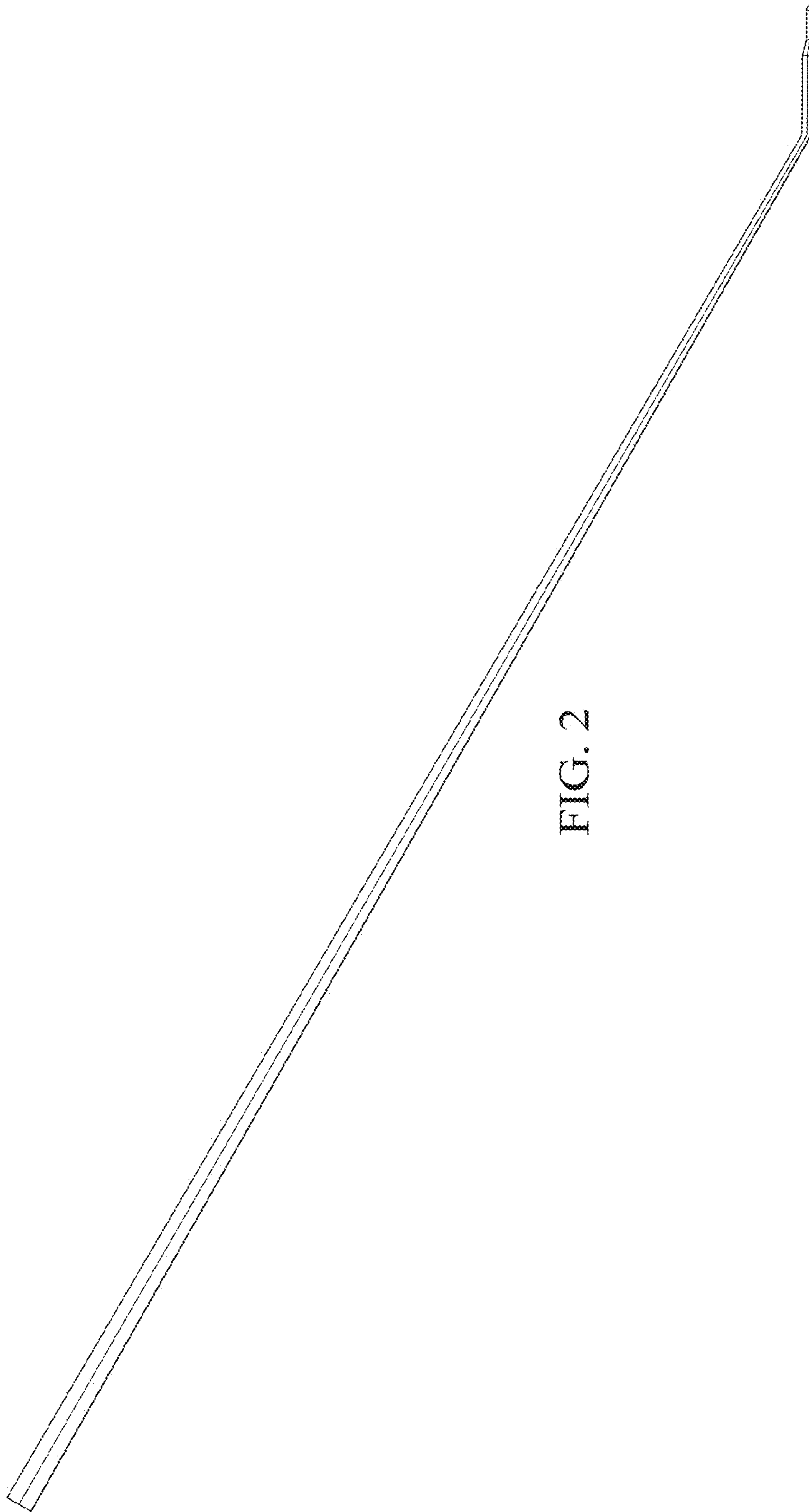


FIG. 2



FIG. 3

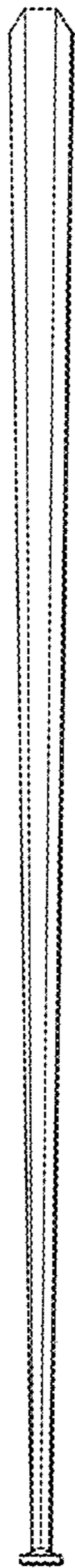


FIG. 4

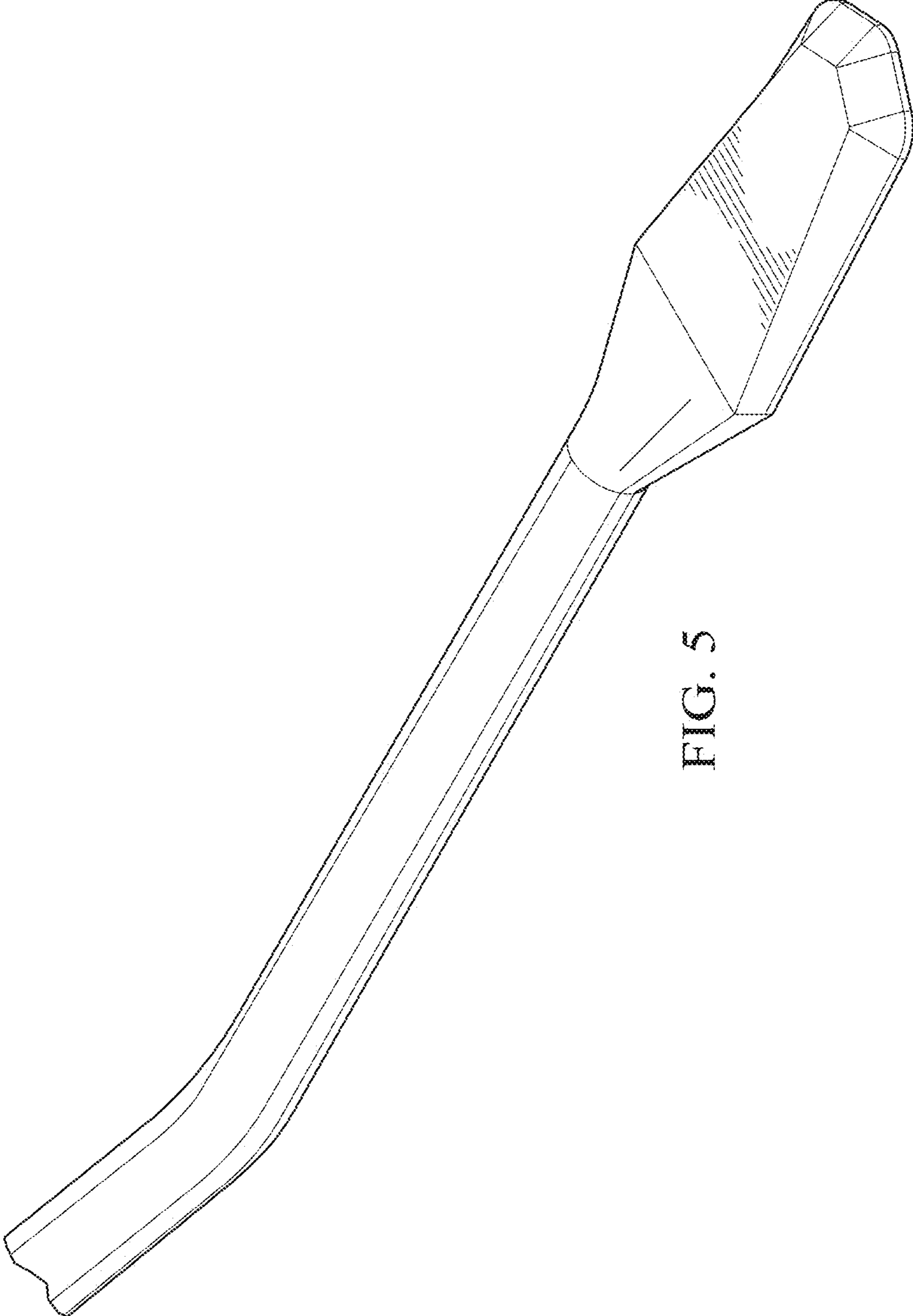


FIG. 5

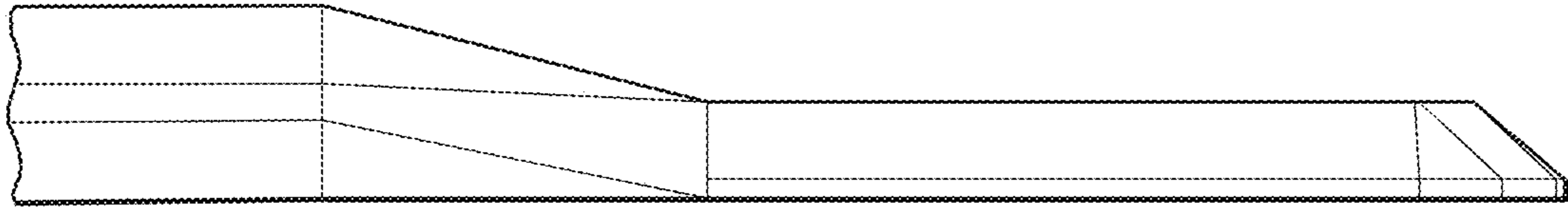


FIG. 6

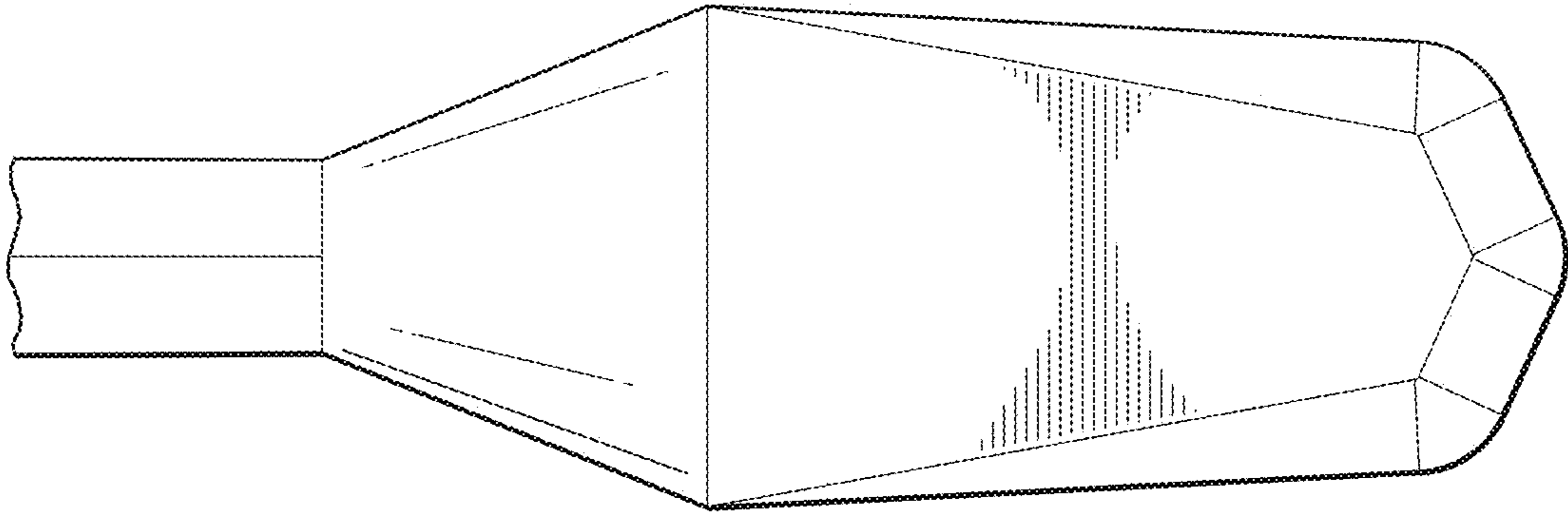


FIG. 7

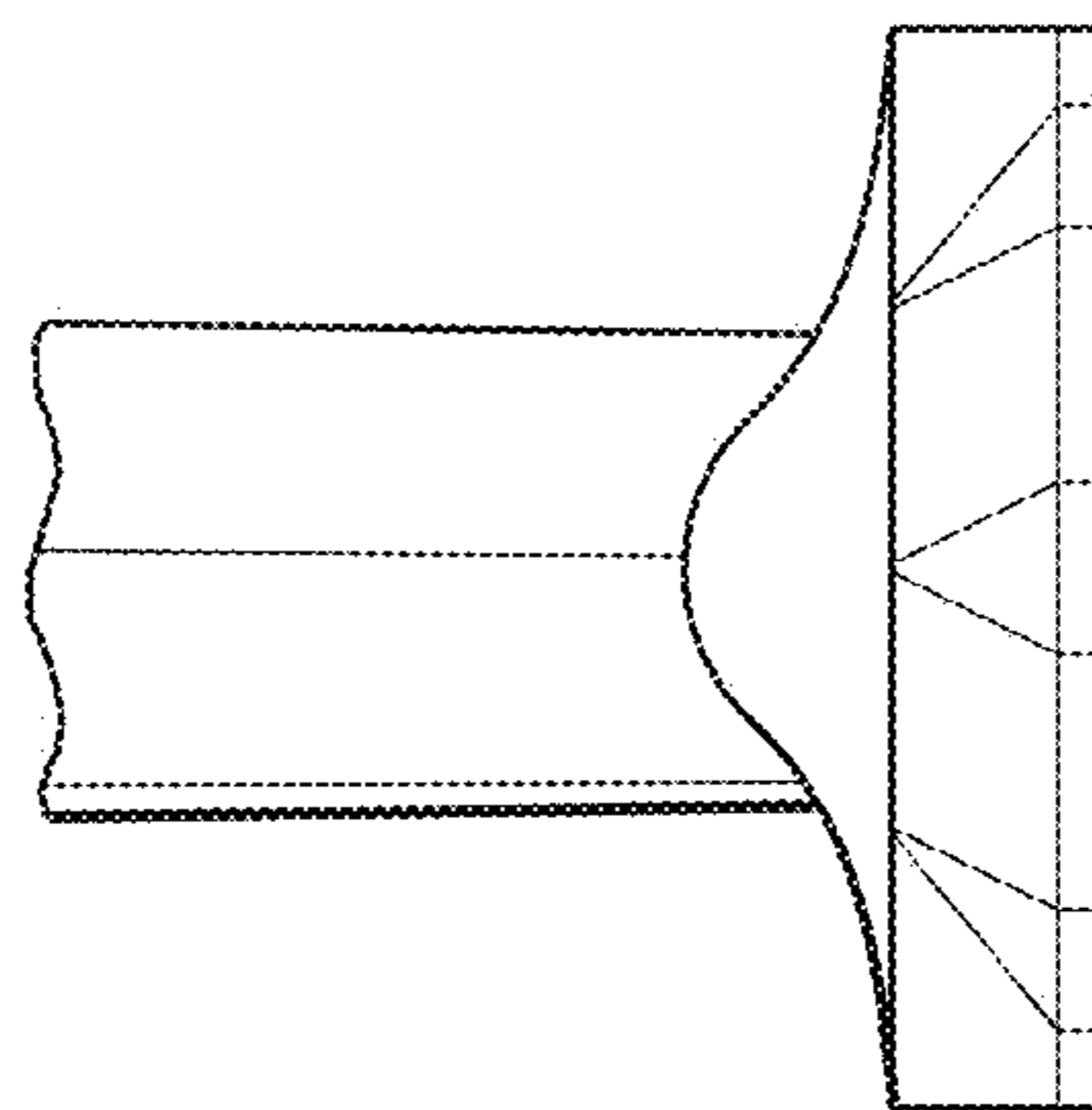


FIG. 8