



US00D933224S

(12) **United States Design Patent** (10) **Patent No.:** **US D933,224 S**
Charbonneau et al. (45) **Date of Patent:** **** Oct. 12, 2021**

(54) **SURGICAL BLADE**

- (71) Applicant: **Shukla Medical**, St. Petersburg, FL (US)
- (72) Inventors: **Lindsey Anne Charbonneau**, Bay City, MI (US); **Zachary Robert Sweitzer**, Keyport, NJ (US)
- (73) Assignee: **Shukla Medical**, St. Petersburg, FL (US)
- (**) Term: **15 Years**

(21) Appl. No.: **29/711,527**

(22) Filed: **Oct. 31, 2019**

(51) **LOC (13) Cl.** **24-02**

(52) **U.S. Cl.**
USPC **D24/147; D24/146**

(58) **Field of Classification Search**
USPC D24/146, 147, 143–145, 127, 133; D8/21, 47, 98; D19/108–111; D7/381, D7/693; D22/118, 144
CPC . A61B 17/0642; A61B 17/16; A61B 17/1604; A61B 17/1659; A61B 17/17; A61B 17/1728; A61B 17/1732; A61B 17/1735; A61B 17/30; A61B 17/32; A61B
(Continued)

(56) **References Cited**

U.S. PATENT DOCUMENTS

D344,799 S * 3/1994 Hood D24/144
5,797,937 A * 8/1998 Ichikawa A61F 9/0133
606/131

(Continued)

FOREIGN PATENT DOCUMENTS

CN 302798765 * 4/2014
GB 6088176 * 4/2020
GB 6088177 * 4/2020

OTHER PUBLICATIONS

Product Guide for Shukla Knee by Shukla Medical, shuklamedical.com. Publish date: Jul. 1, 2020. Retrieval date: Jun. 8, 2021. Retrieved from internet: https://www.shuklamedical.com/images/Product_Guides/070120/L3-KNEE-PG-070120.pdf (Year: 2020).*

Primary Examiner — Lilyana Bekic

Assistant Examiner — Lee D. Starr

(74) *Attorney, Agent, or Firm* — Kim IP Law Group LLC

(57) **CLAIM**

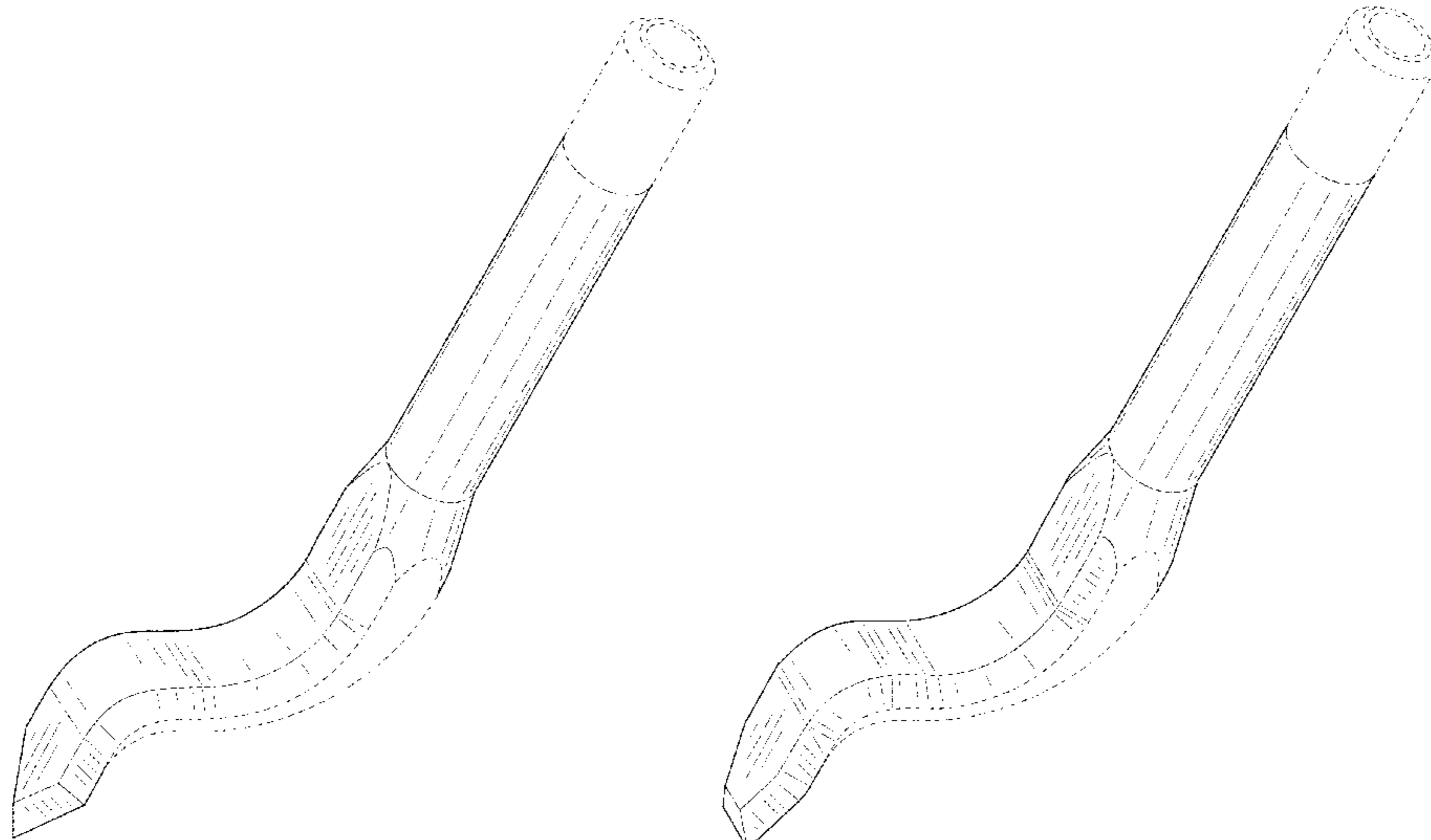
The ornamental design for a surgical blade, as shown and described.

DESCRIPTION

FIG. 1 is a perspective view of a surgical blade in accordance with a first embodiment of the new design; FIG. 2 is a front view of the surgical blade of FIG. 1; FIG. 3 is a left side view of the surgical blade of FIG. 1, the right side being a mirror image; FIG. 4 is a rear view of the surgical blade of FIG. 1; FIG. 5 is a top plan view of the surgical blade of FIG. 1; FIG. 6 is a bottom plan view of the surgical blade of FIG. 1; FIG. 7 is perspective view of a surgical blade in accordance with a second embodiment of the new design; FIG. 8 is a front view of the surgical blade of FIG. 7; FIG. 9 is a left side view of the surgical blade of FIG. 7, the right side being a mirror image; FIG. 10 is a rear view of the surgical blade of FIG. 7; FIG. 11 is a top plan view of the surgical blade of FIG. 7; and, FIG. 12 is a bottom plan view of the surgical blade of FIG. 7.

The evenly spaced dashed broken lines in the figures illustrate portions of the surgical blade that form no part of the claimed design. The long dash-short dash broken lines define the bounds of the claimed design and form no part thereof.

1 Claim, 10 Drawing Sheets



(58) **Field of Classification Search**

CPC 17/320052; A61B 17/3205; A61B 17/3211;
A61B 17/3213; A61C 17/16; A61C
17/18; A61C 17/20

See application file for complete search history.

(56) **References Cited**

U.S. PATENT DOCUMENTS

D405,178	S	*	2/1999	Dykes	D24/146
6,974,452	B1	*	12/2005	Gille	A61B 18/1402 606/37
D535,747	S	*	1/2007	Isogimi	D24/146
D698,922	S	*	2/2014	Kawasaki	D24/152
D699,349	S	*	2/2014	Kawasaki	D24/152
D722,163	S	*	2/2015	Hasebe	D24/147
D901,687	S	*	11/2020	Chalk	D24/146
2010/0185258	A1	*	7/2010	Papay	A61B 17/24 607/45

* cited by examiner

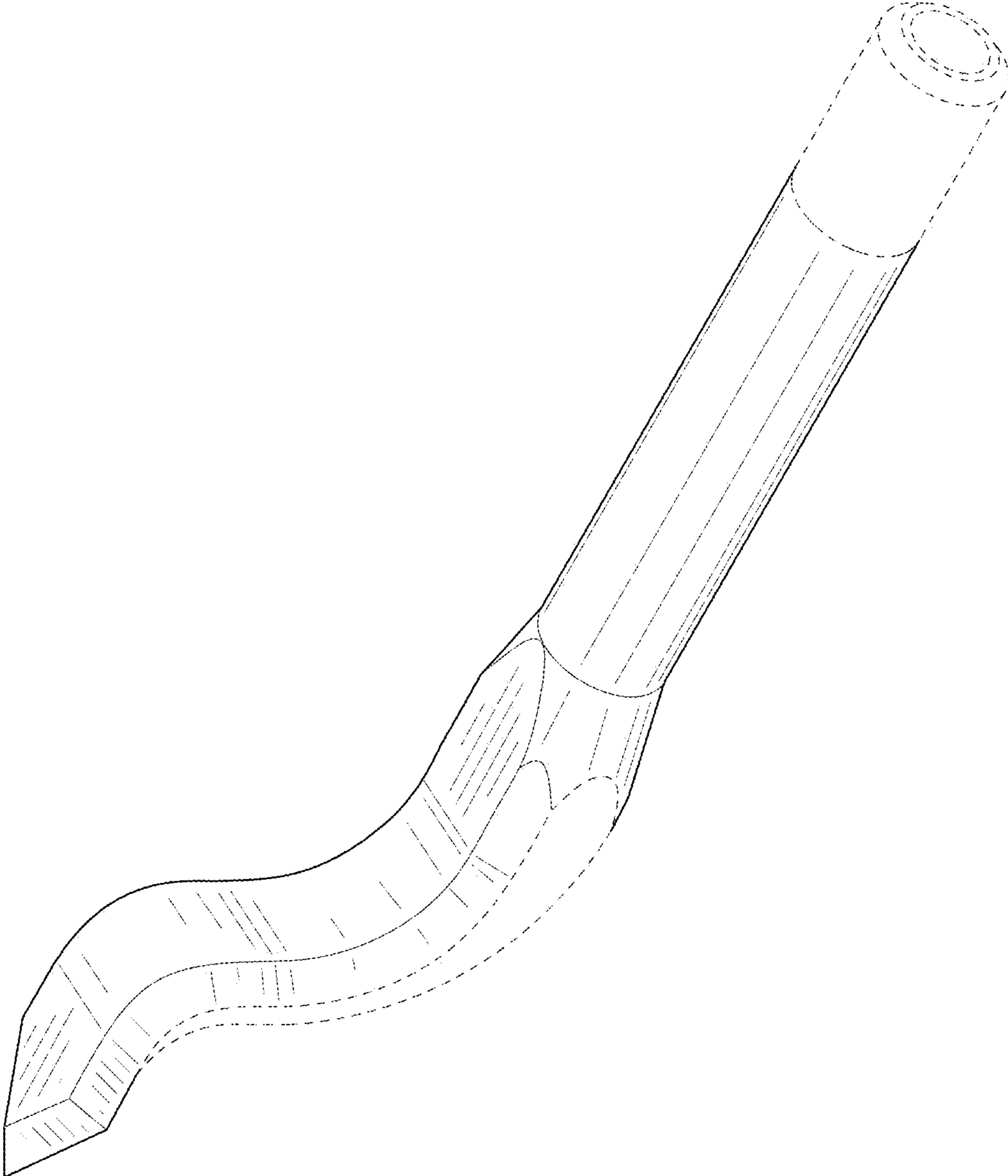


FIG. 1

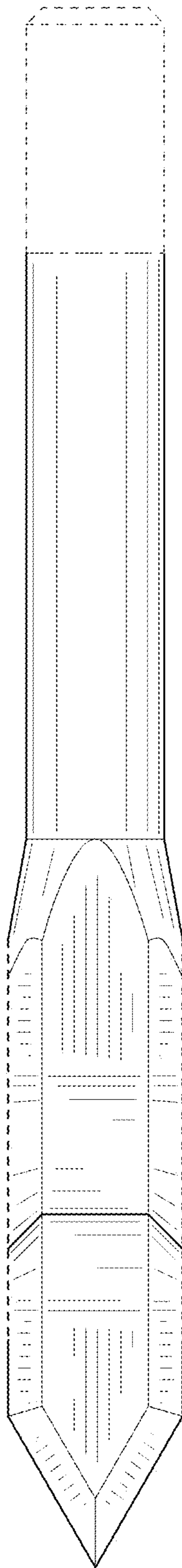


FIG. 2

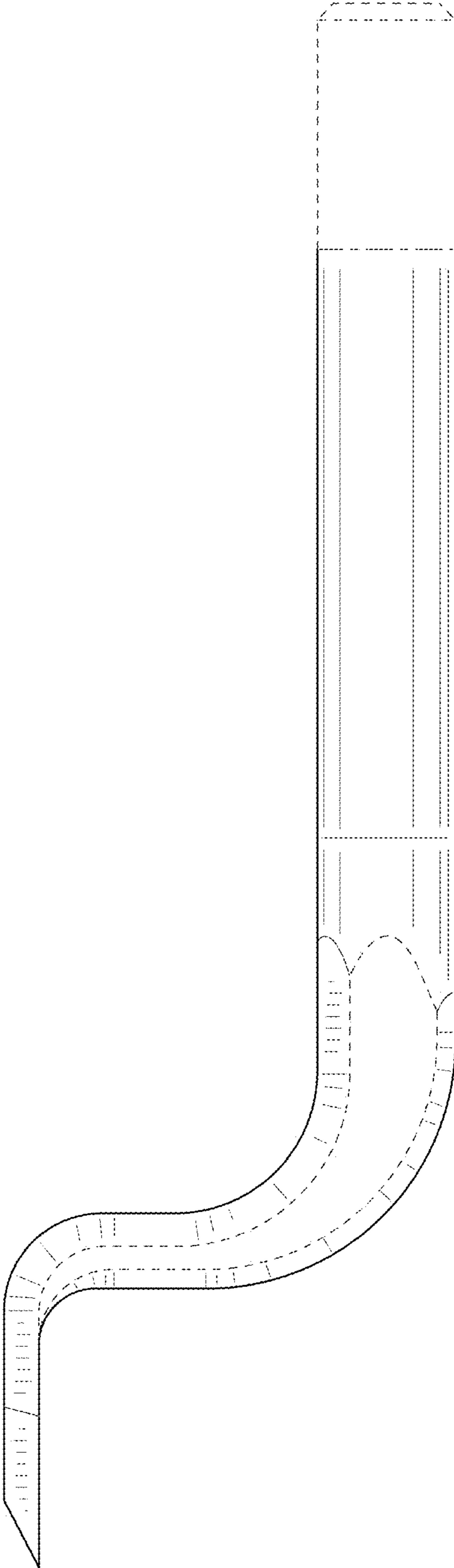


FIG. 3

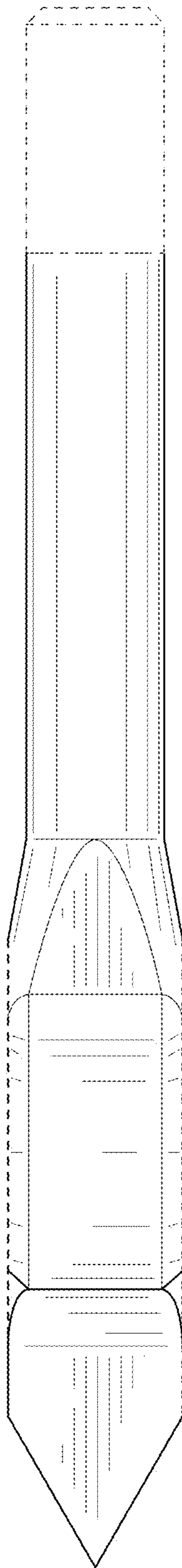


FIG. 4

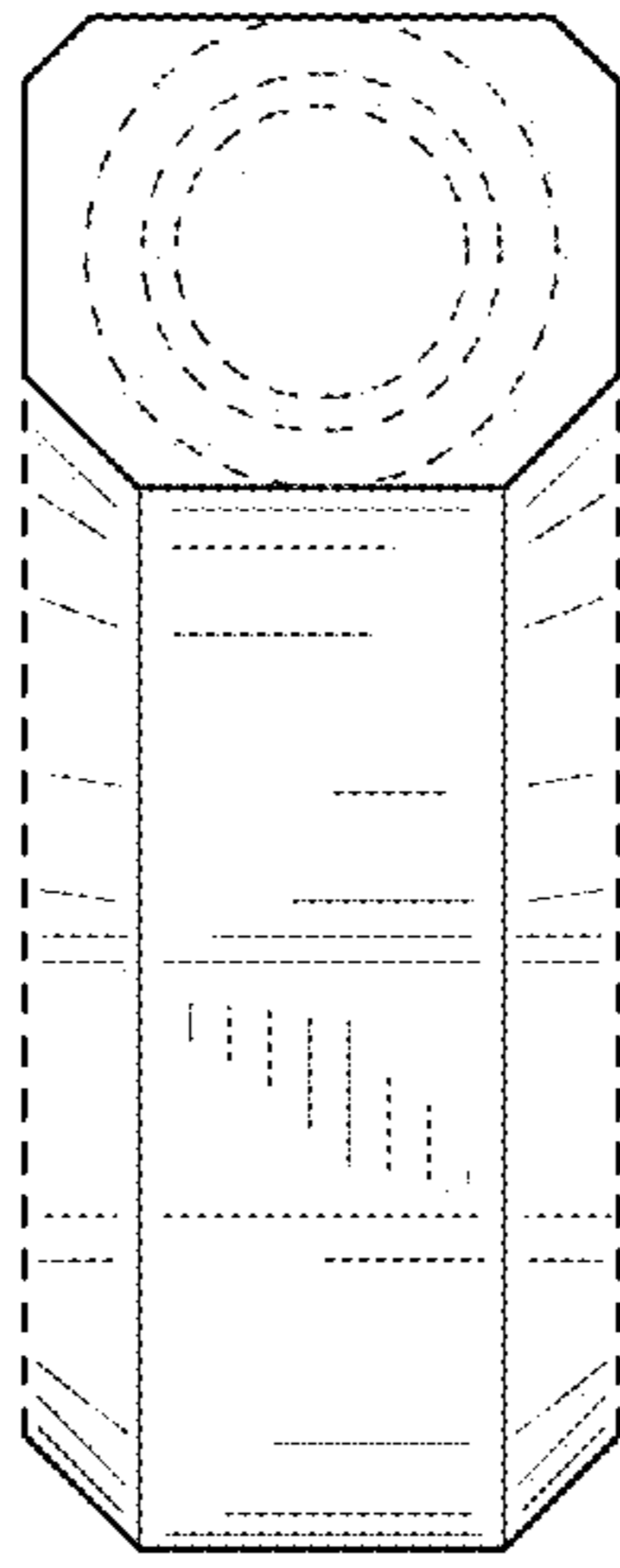


FIG. 5

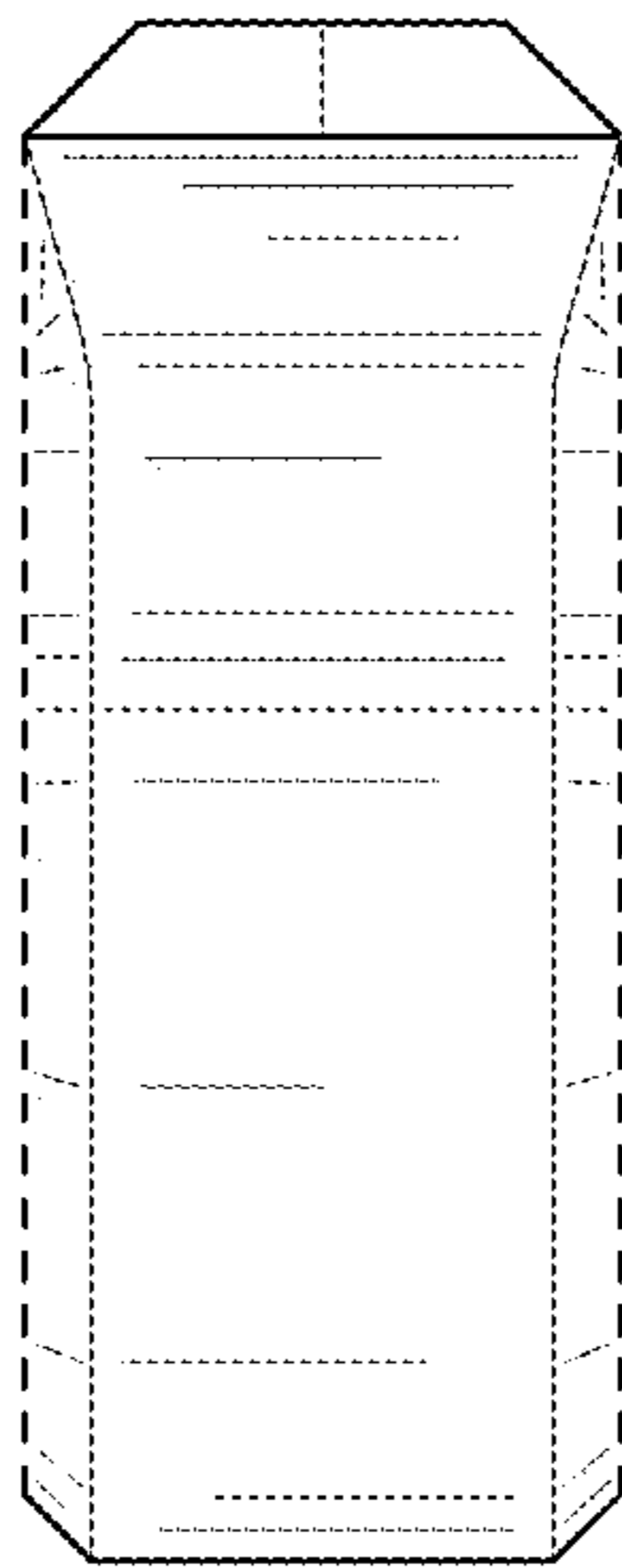


FIG. 6

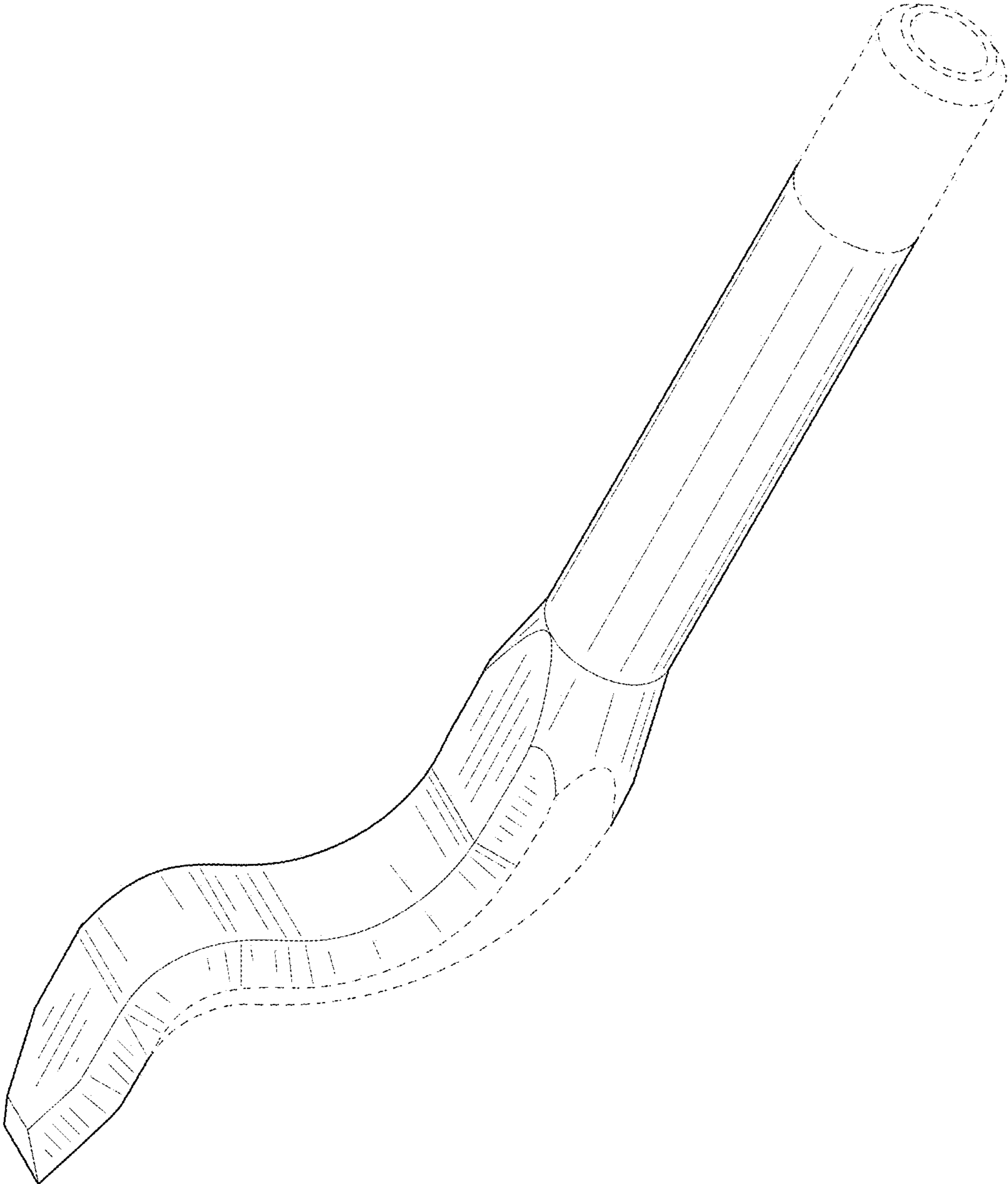


FIG. 7

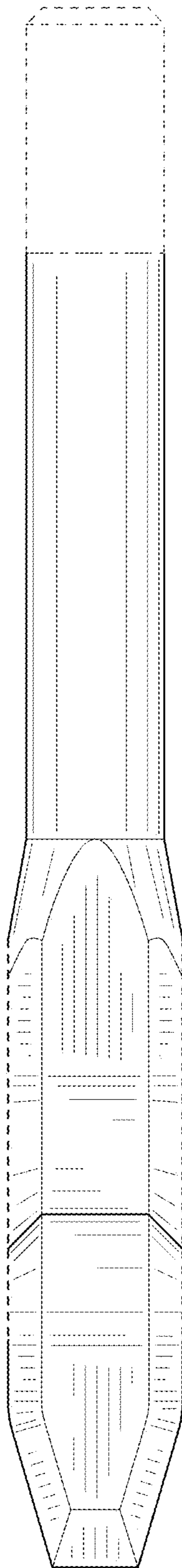


FIG. 8

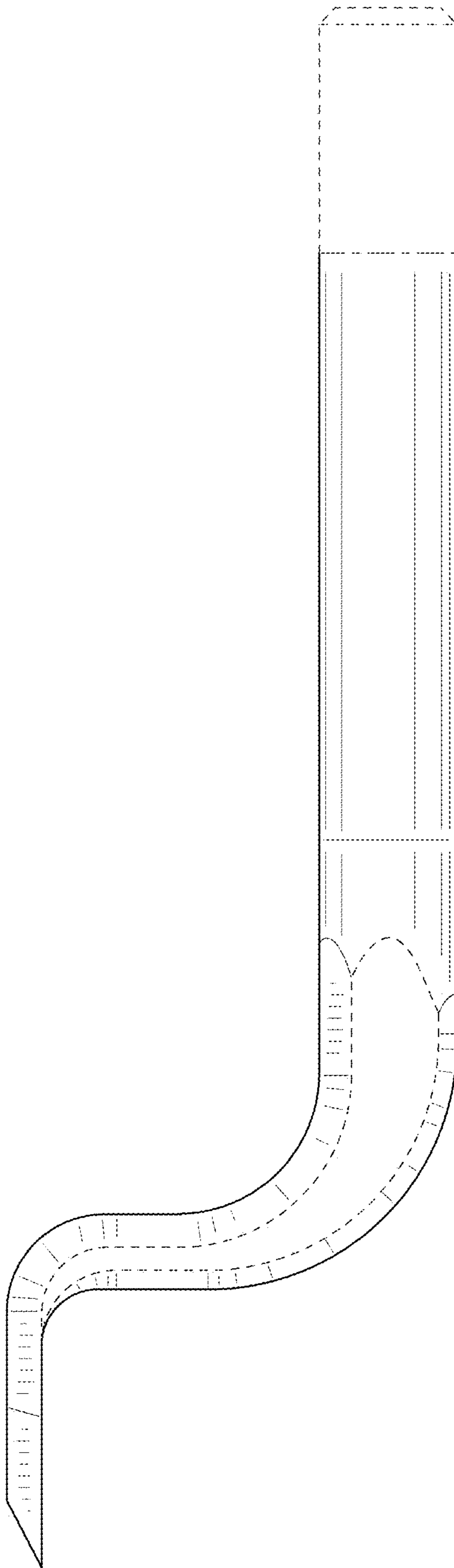


FIG. 9

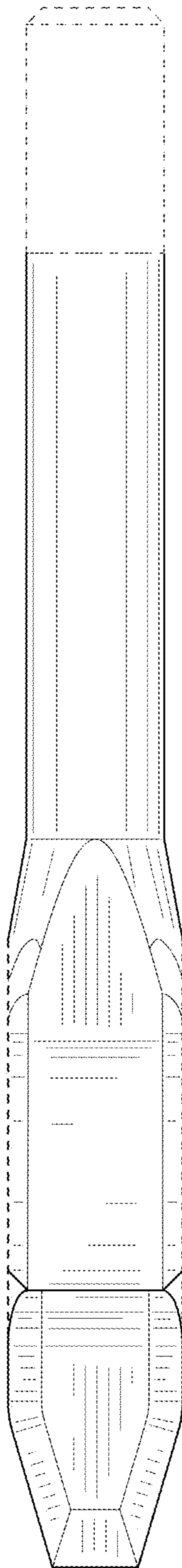


FIG. 10

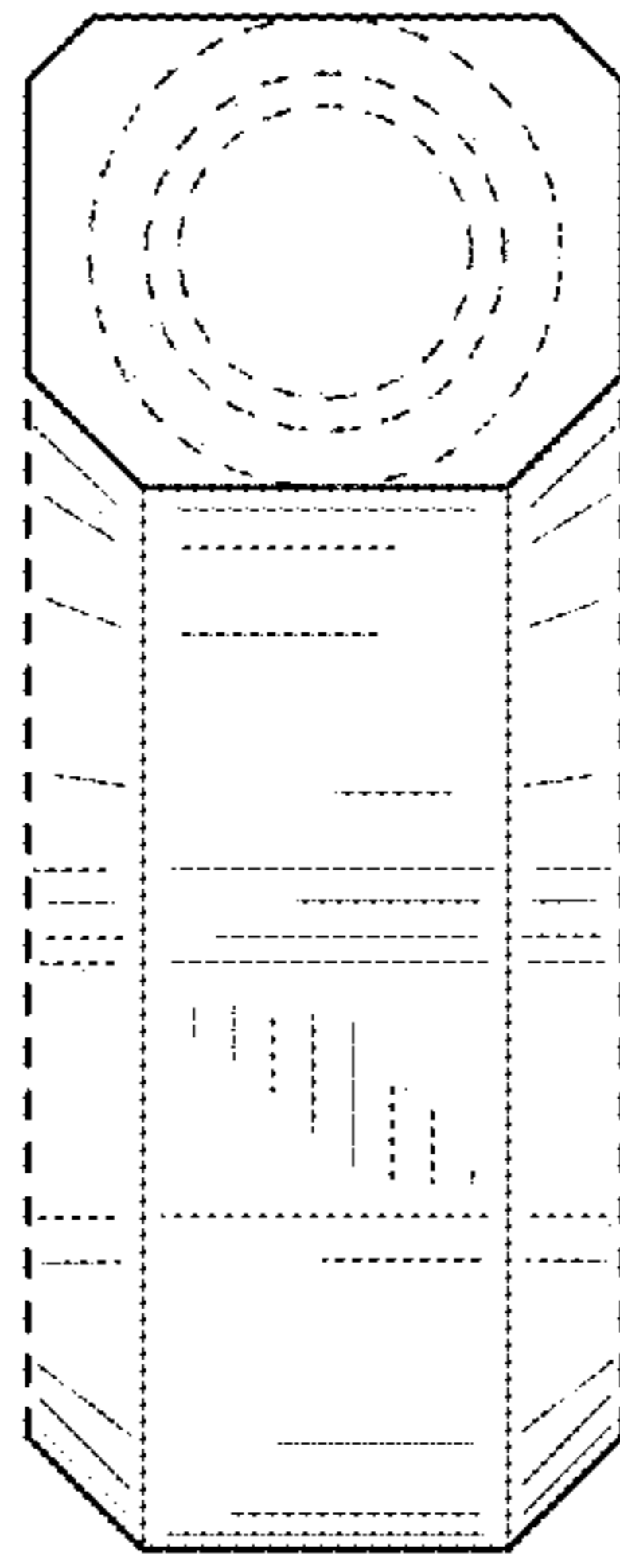


FIG. 11

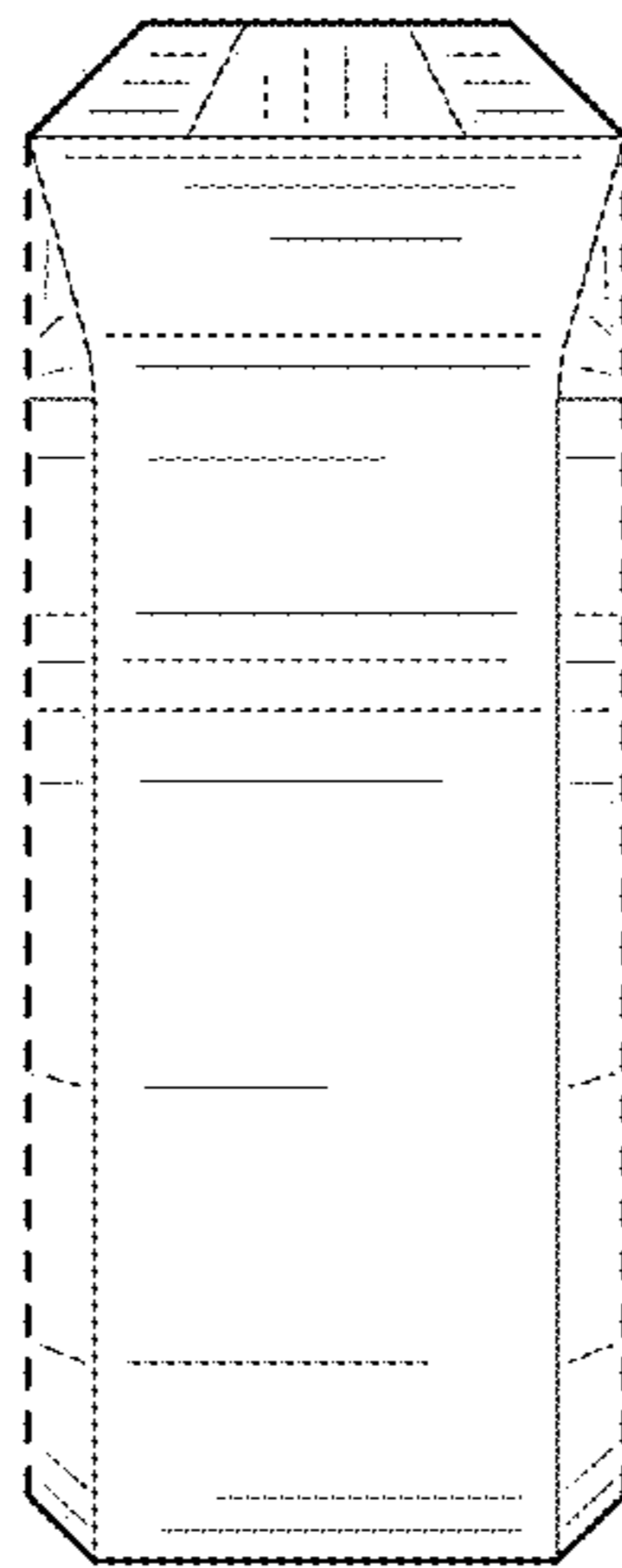


FIG. 12