



US00D933213S

(12) **United States Design Patent**  
**Charbonneau**

(10) **Patent No.:** **US D933,213 S**  
(45) **Date of Patent:** **\*\* Oct. 12, 2021**

(54) **SURGICAL PUNCH**

(71) Applicant: **Shukla Medical**, St. Petersburg, FL  
(US)

(72) Inventor: **Lindsey Anne Charbonneau**, Bay City,  
MI (US)

(73) Assignee: **Shukla Medical**, St. Petersburg, FL  
(US)

(\*\*) Term: **15 Years**

(21) Appl. No.: **29/711,501**

(22) Filed: **Oct. 31, 2019**

(51) **LOC (13) Cl.** ..... **24-02**

(52) **U.S. Cl.**  
USPC ..... **D24/133**

(58) **Field of Classification Search**  
USPC ..... D24/146, 147, 143–145, 127, 133;  
D8/21, 47, 98; D28/57, 68  
CPC . A61B 17/0642; A61B 17/16; A61B 17/1604;  
A61B 17/1659; A61B 17/17; A61B  
17/1728; A61B 17/1732; A61B 17/1735;  
A61B 17/30; A61B 17/32; A61B  
17/320052; A61B 17/3205; A61B  
17/3211; A61B 17/3213; A61B 17/92;  
A61B 2017/922; A61C 17/16; A61C  
17/18; A61C 17/20; A61F 2/46; A61F  
2/4601; A61F 2/4603; A61F 2/4605;  
A61F 2/4606; A61F 2/4607; A61F  
2/4609; A61F 2/461; A61F 2/4612; A61F  
2002/30136; A61F 2002/4619; A61F  
2002/4622; A61F 2002/4625

See application file for complete search history.

(56) **References Cited**

**U.S. PATENT DOCUMENTS**

D177,664 S \* 5/1956 Caldwell ..... D8/1  
D230,095 S \* 1/1974 Rylee ..... D24/133

D265,004 S \* 6/1982 Davis ..... D28/68  
D383,841 S \* 9/1997 Runciman ..... D24/133  
D467,657 S \* 12/2002 Scribner ..... D24/133

(Continued)

**FOREIGN PATENT DOCUMENTS**

GB 9007721519-0019 \* 2/2020  
GB 9007721519-0020 \* 2/2020  
KR 301079856.0000 \* 10/2020

*Primary Examiner* — Lilyana Bekic

*Assistant Examiner* — Lee D. Starr

(74) *Attorney, Agent, or Firm* — Kim IP Law Group LLC

(57) **CLAIM**

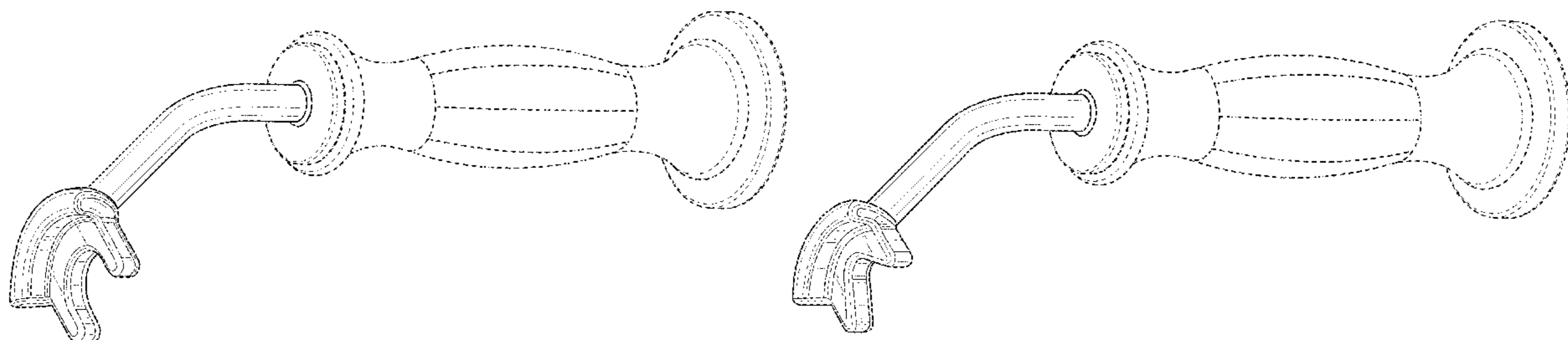
The ornamental design for a surgical punch, as shown and described.

**DESCRIPTION**

FIG. 1 is a perspective view of a surgical punch in accordance with a first embodiment of the new design; FIG. 2 is a bottom plan view of the surgical punch of FIG. 1; FIG. 3 is a top plan view of the surgical punch of FIG. 1; FIG. 4 is a rear view of the surgical punch of FIG. 1; FIG. 5 is a front view of the surgical punch of FIG. 1; FIG. 6 is a left side view of the surgical punch of FIG. 1, the right side being a mirror image; FIG. 7 is a perspective view of a surgical punch in accordance with a second embodiment of the new design; FIG. 8 is a bottom plan view of the surgical punch of FIG. 7; FIG. 9 is a top plan view of the surgical punch of FIG. 7; FIG. 10 is a rear view of the surgical punch of FIG. 7; FIG. 11 is a front view of the surgical punch of FIG. 7; and, FIG. 12 is a right side view of the surgical punch of FIG. 7, the left side being a mirror image.

The broken lines in the figures are directed to portions of the surgical punch that form no part of the claim.

**1 Claim, 8 Drawing Sheets**



(56)

**References Cited**

U.S. PATENT DOCUMENTS

2012/0290099 A1\* 11/2012 Gibson ..... A61F 2/4637  
623/20.11  
2013/0261626 A1\* 10/2013 Chavarria ..... A61F 2/4612  
606/79  
2018/0140438 A1\* 5/2018 Robinson ..... A61F 2/4611

\* cited by examiner

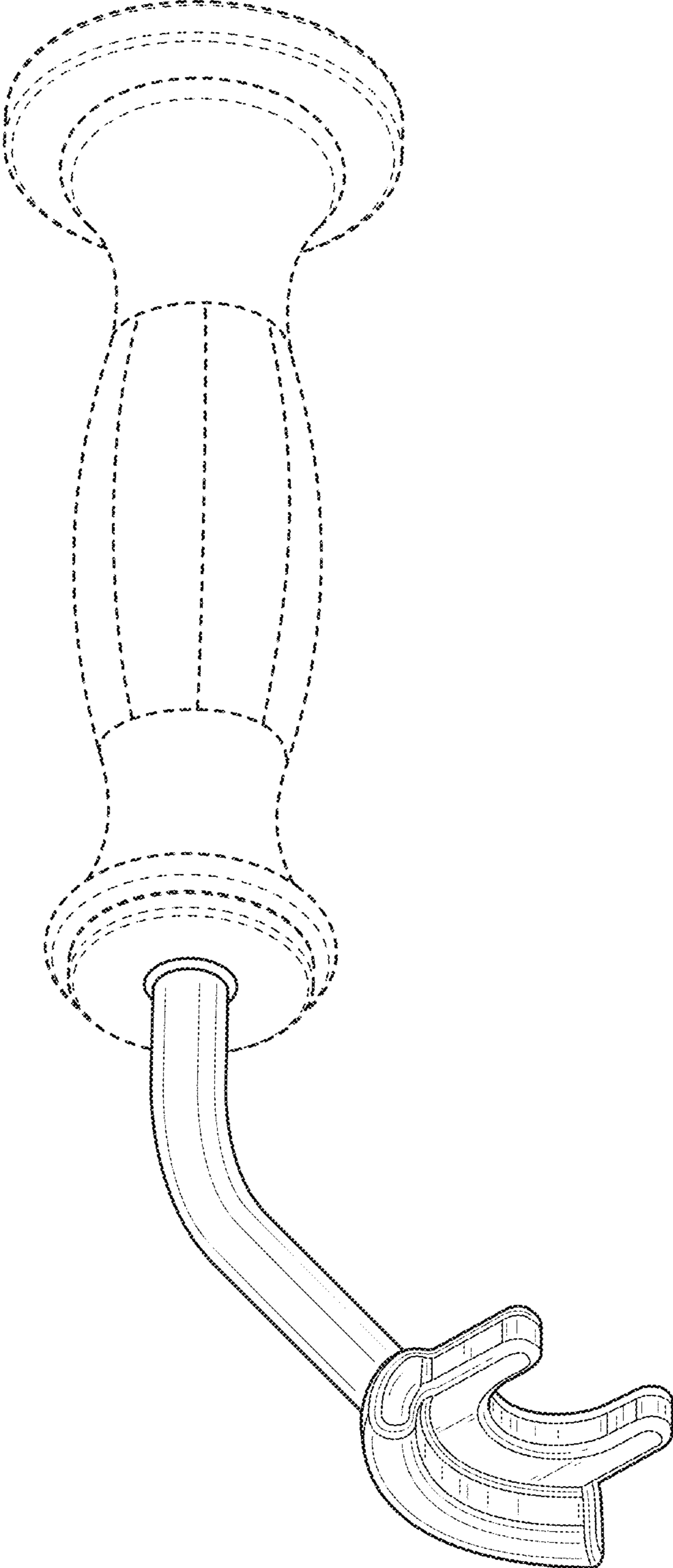


FIG. 1

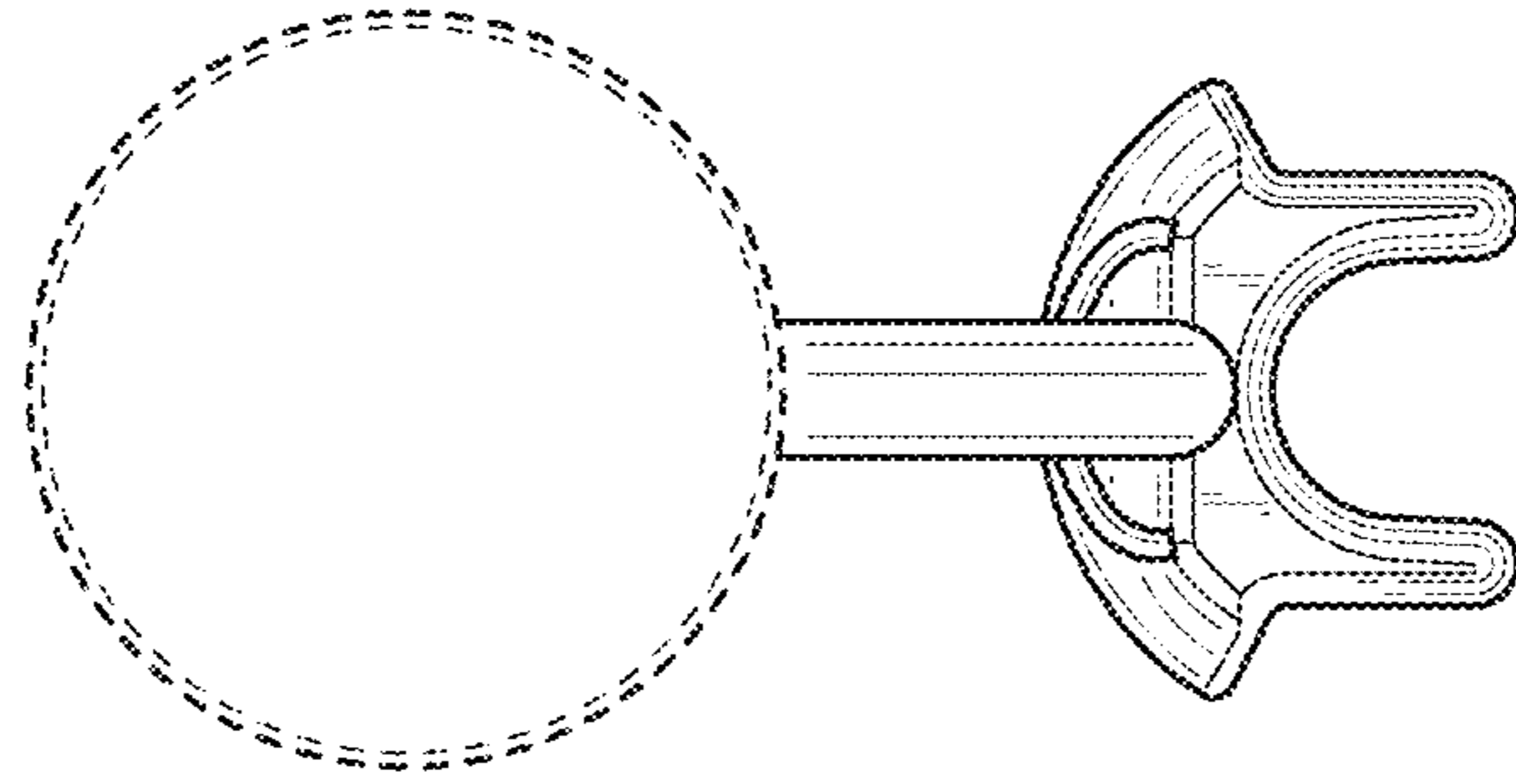


FIG. 3

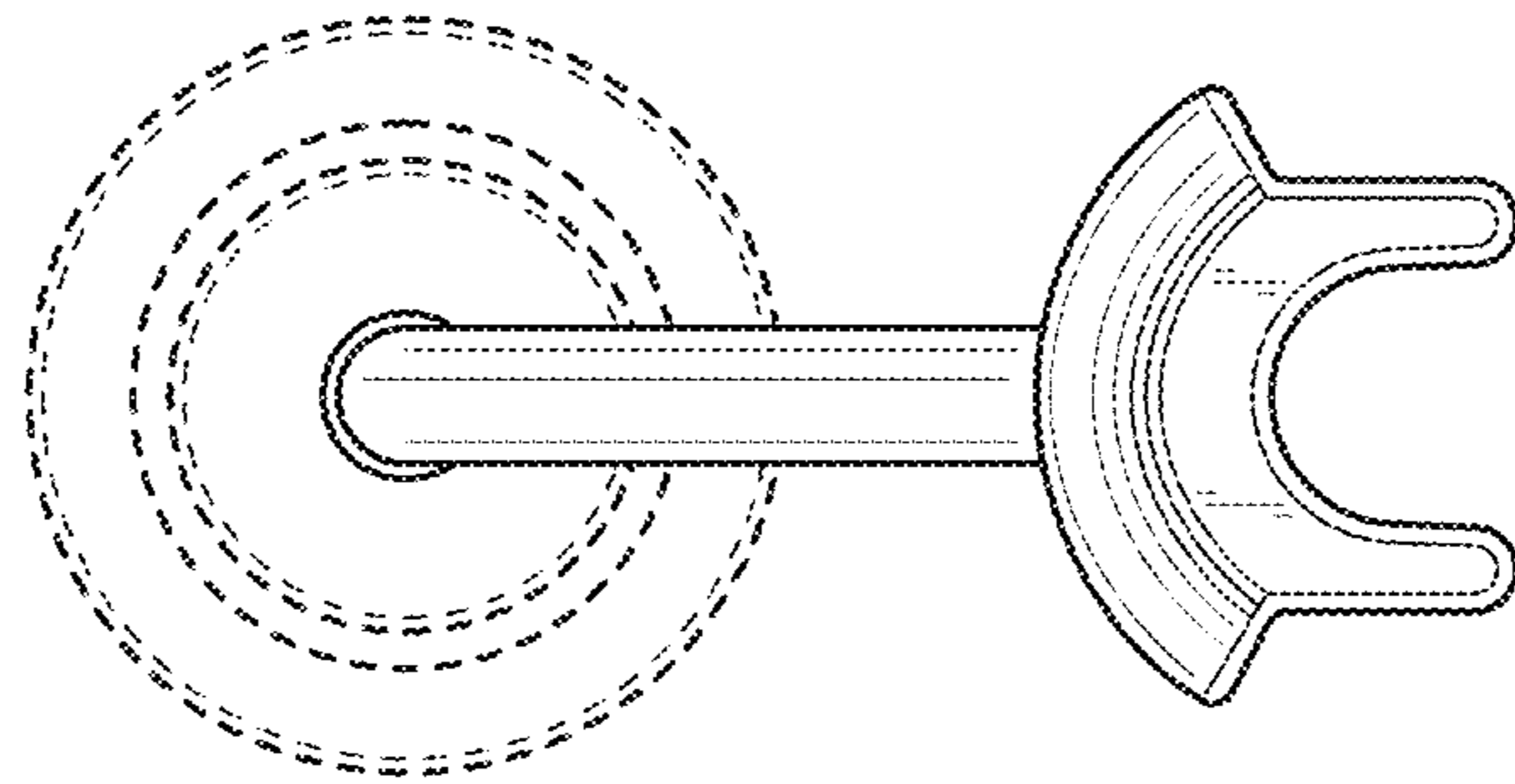


FIG. 2

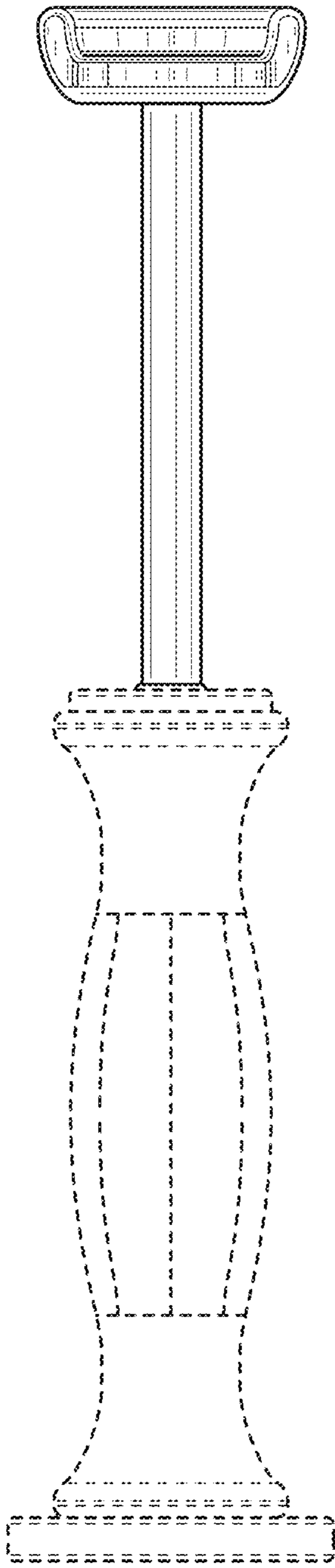


FIG. 4

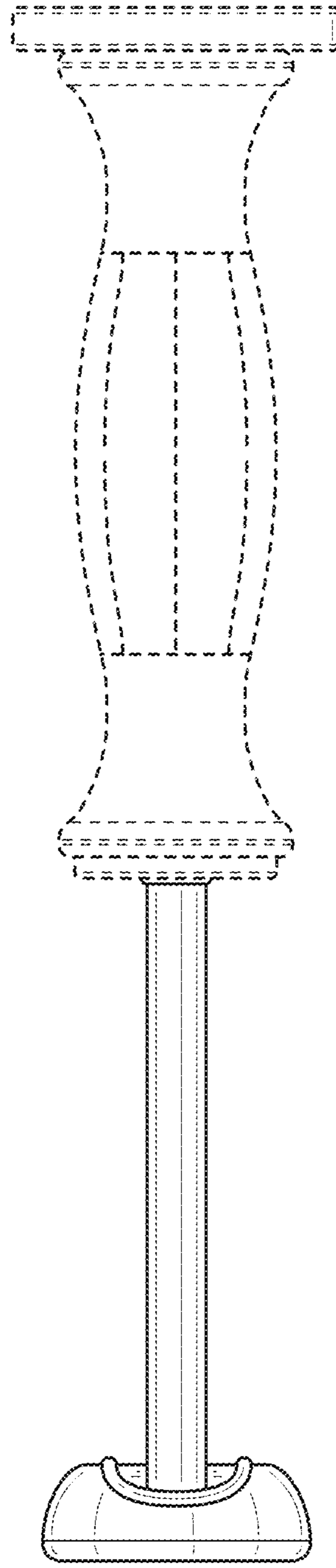


FIG. 5

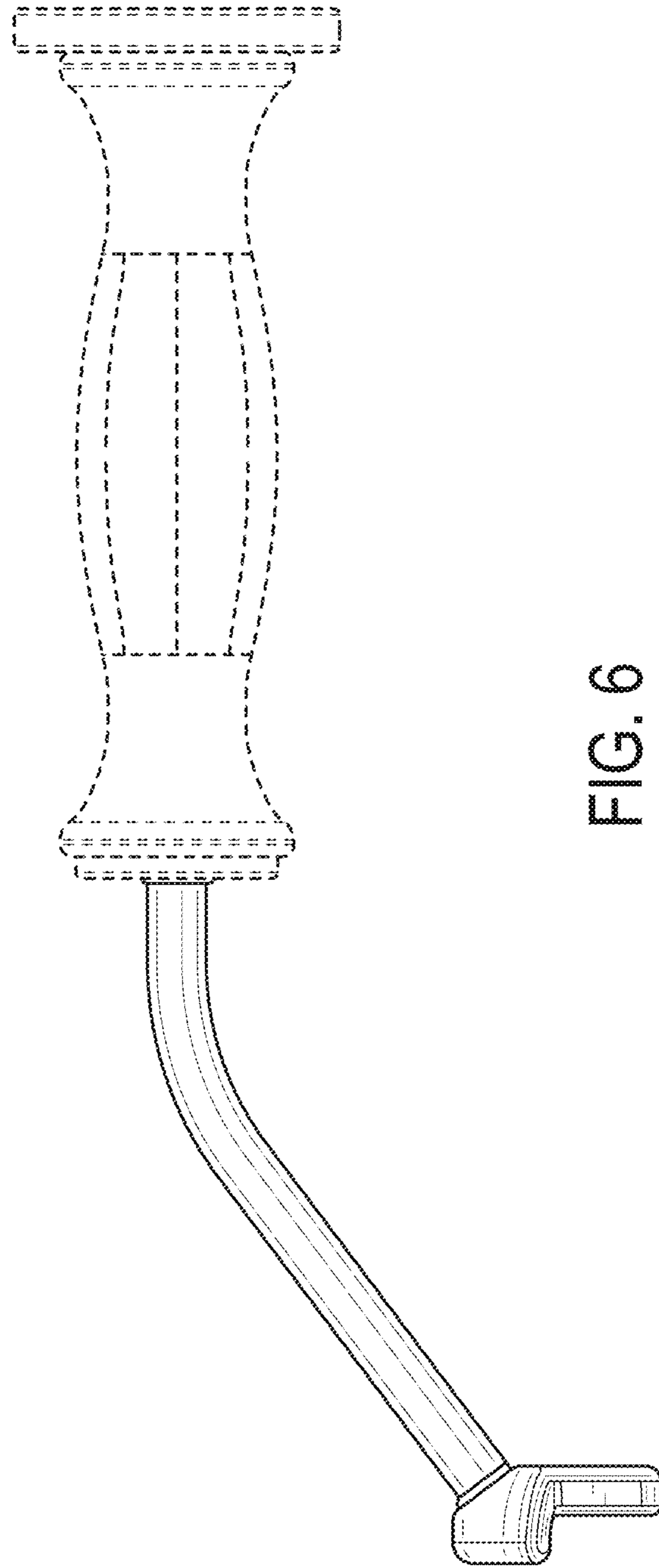


FIG. 6

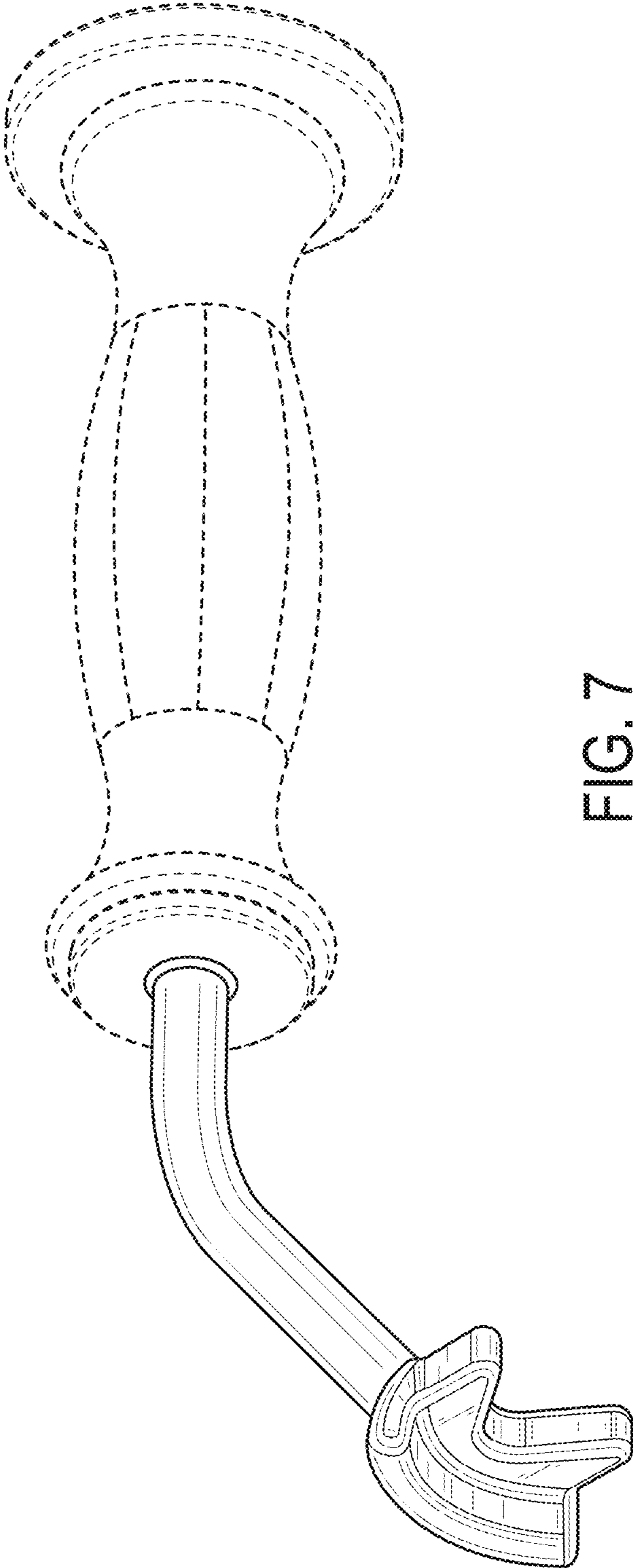


FIG. 7

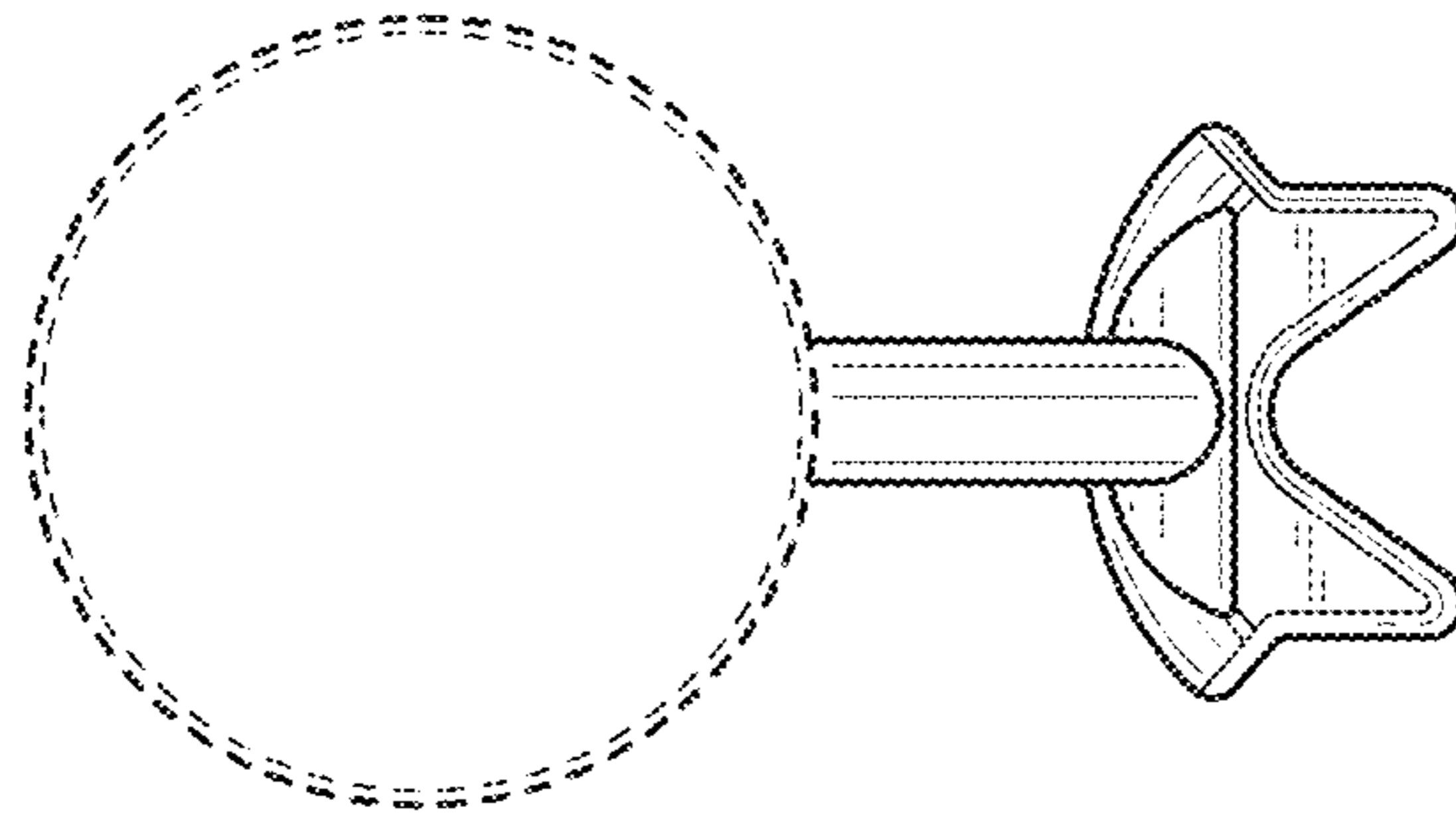


FIG. 9

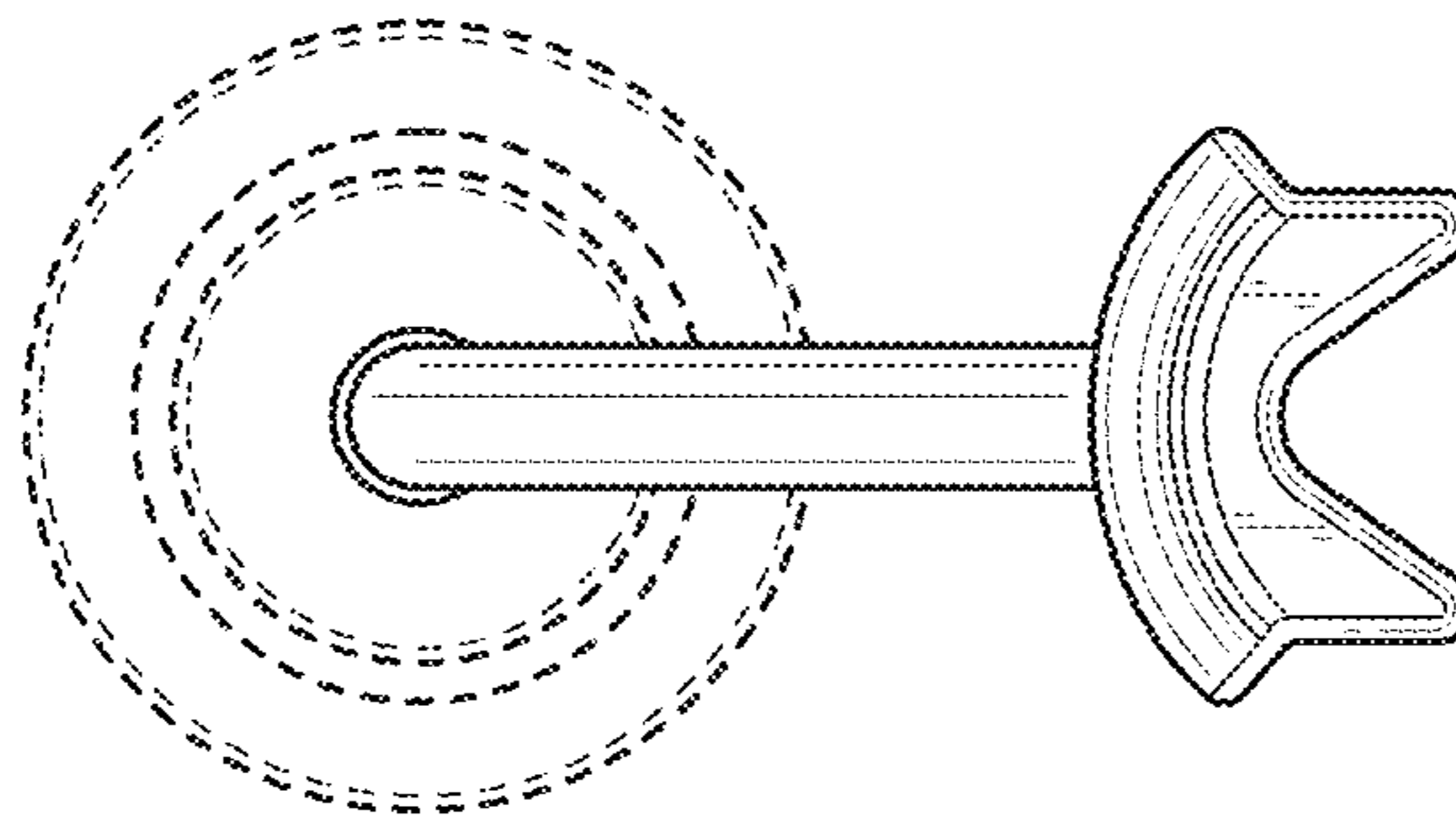


FIG. 8



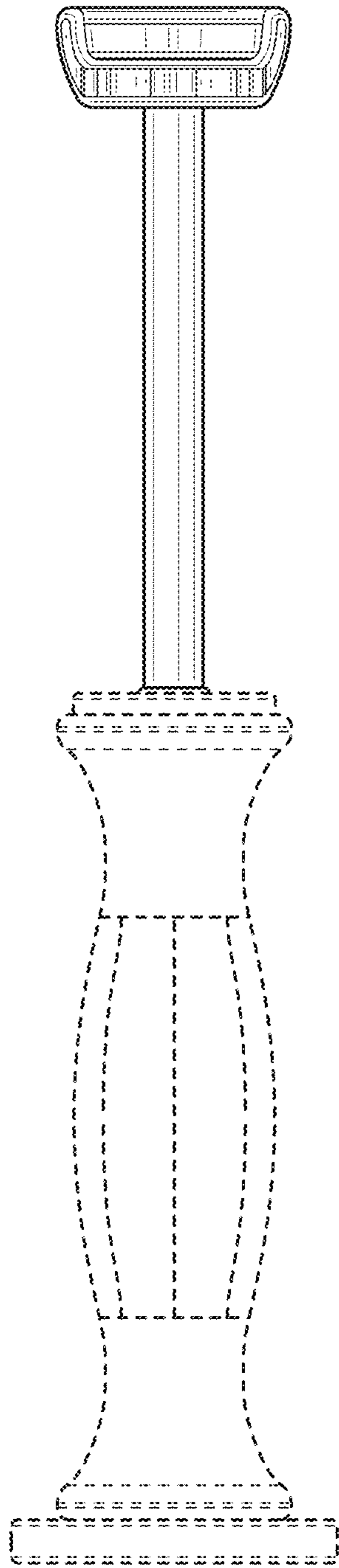


FIG. 10

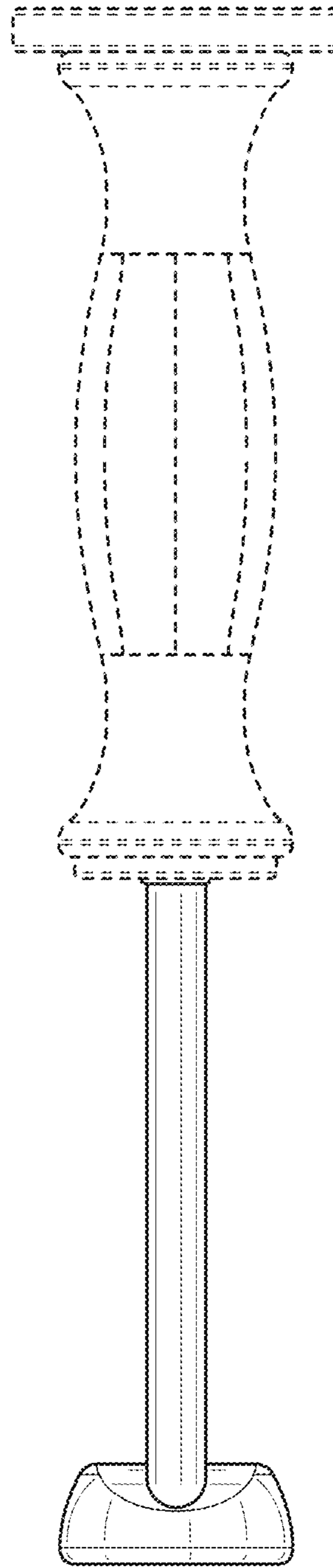


FIG. 11

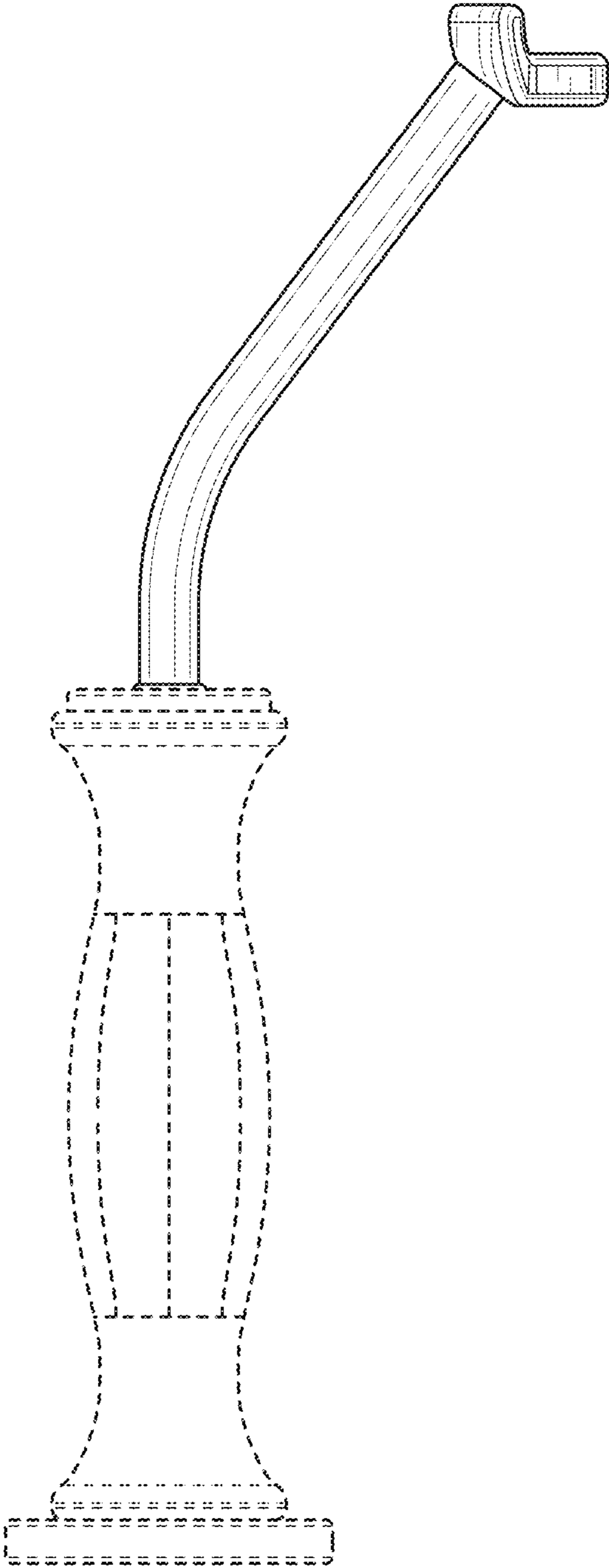


FIG. 12