



US00D933210S

(12) **United States Design Patent**  
**Sweitzer**

(10) **Patent No.:** **US D933,210 S**

(45) **Date of Patent:** **\*\* Oct. 12, 2021**

(54) **JAW FOR A SURGICAL INSTRUMENT**

(71) Applicant: **Shukla Medical**, St. Petersburg, FL  
(US)

(72) Inventor: **Zachary Robert Sweitzer**, Keyport, NJ  
(US)

(73) Assignee: **Shukla Medical**, St. Petersburg, FL  
(US)

(\*\*) Term: **15 Years**

(21) Appl. No.: **29/708,211**

(22) Filed: **Oct. 4, 2019**

(51) **LOC (13) Cl.** ..... **24-02**

(52) **U.S. Cl.**  
USPC ..... **D24/133**

(58) **Field of Classification Search**  
USPC ..... D24/133, 128, 135, 155, 159, 183, 184,  
D24/190; D15/140, 138; D8/71, 74,  
D8/321, 380, 382, 349, 394, 499;  
D3/312, 313  
CPC ... A61B 2017/0287; B25B 9/00; B25B 11/00;  
B25B 23/00; B25B 23/0007; B25B  
23/0057; B25B 23/0085; B25B 33/00;  
A47F 5/0869; Y10S 269/00; Y10T 16/00;  
Y10T 16/211; Y10T 279/00; Y10T  
279/17196; Y10T 279/17752; F16M  
2200/066; F16M 100/00; F16M 13/00;  
F16M 13/005; F16M 13/04; F16M 11/02  
See application file for complete search history.

(56) **References Cited**

U.S. PATENT DOCUMENTS

D252,070 S \* 6/1979 Schindele ..... D25/38.1  
D253,090 S \* 10/1979 Sharley ..... D8/354  
D257,810 S \* 1/1981 Wilson ..... D6/556  
D263,714 S \* 4/1982 Treloar ..... D15/140  
D272,125 S \* 1/1984 Van Doren ..... D8/356

D275,451 S \* 9/1984 Galloway ..... D8/396  
D276,134 S \* 10/1984 Ericsson ..... D8/396  
D284,832 S \* 7/1986 Parker ..... D8/380  
D296,417 S \* 6/1988 Misono ..... 248/74.2  
D296,983 S \* 8/1988 Westerlund ..... D8/391  
D306,032 S \* 2/1990 Mihic ..... 407/116  
D350,307 S \* 9/1994 Willis ..... 428/28  
D350,308 S \* 9/1994 Willis ..... 428/28  
D350,309 S \* 9/1994 Willis ..... 428/28  
D350,310 S \* 9/1994 Willis ..... 428/28  
D374,607 S \* 10/1996 Shoda ..... D8/382

(Continued)

*Primary Examiner* — T Chase Nelson

*Assistant Examiner* — Kelly L Gross

(74) *Attorney, Agent, or Firm* — Kim IP Law Group LLC

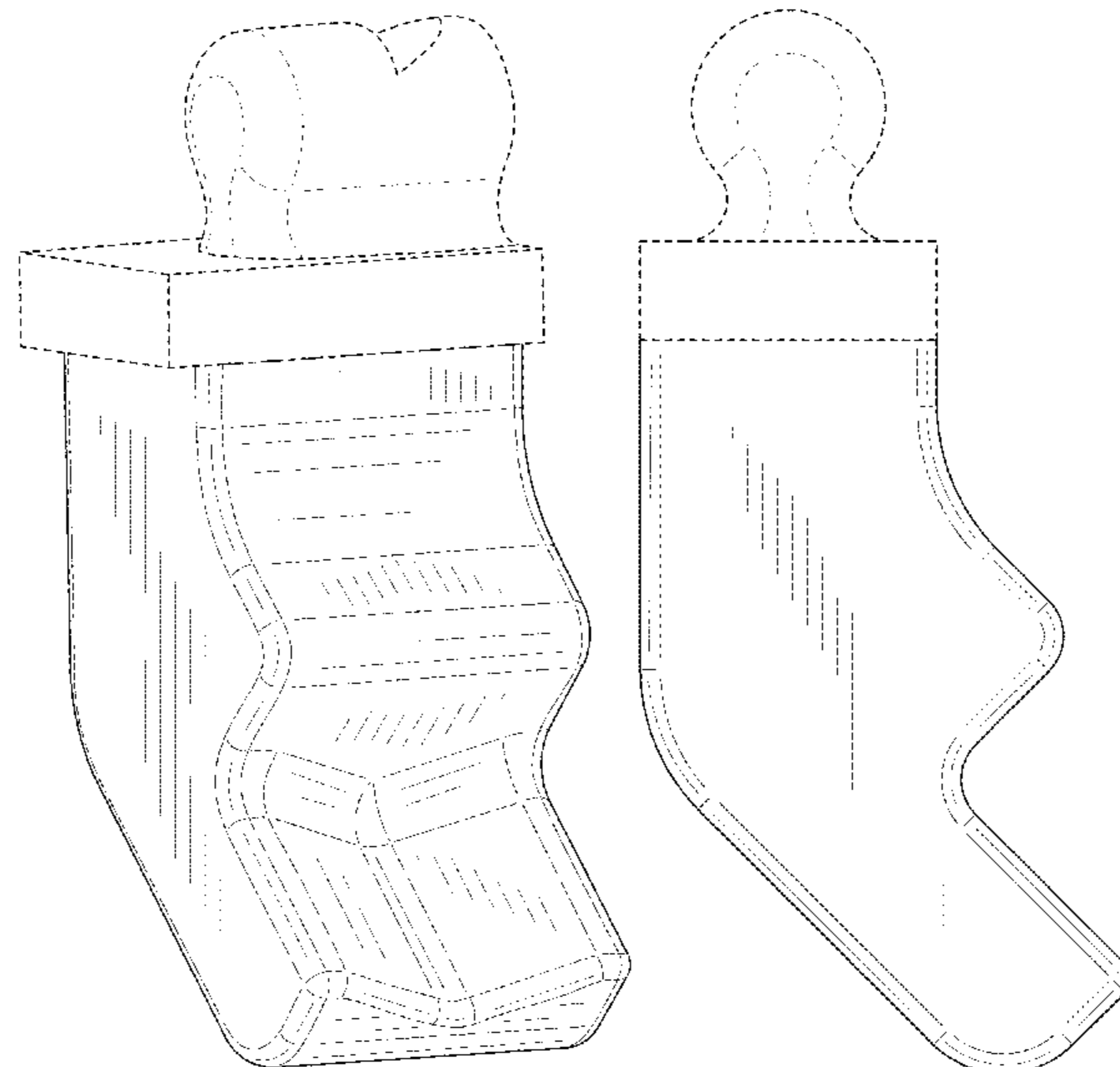
(57) **CLAIM**

The ornamental design for a jaw for a surgical instrument, as shown and described.

**DESCRIPTION**

FIG. 1 is a perspective view of a jaw for a surgical instrument in accordance with the new design;  
FIG. 2 is a front view of the jaw for a surgical instrument of FIG. 1;  
FIG. 3 is a rear view of the jaw for a surgical instrument of FIG. 1;  
FIG. 4 is a right side view of the jaw for a surgical instrument of FIG. 1;  
FIG. 5 is a left side view of the jaw for a surgical instrument of FIG. 1;  
FIG. 6 is a top plan view of the jaw for a surgical instrument of FIG. 1; and,  
FIG. 7 is a bottom plan view of the jaw for a surgical instrument of FIG. 1.  
The even length broken lines in the figures are directed to portions of the jaw for a surgical instrument that form no part of the claimed design. The dot-dashed lines show unclaimed boundaries and form no part of the claimed design.

**1 Claim, 6 Drawing Sheets**



(56)

## References Cited

## U.S. PATENT DOCUMENTS

D374,608	S	*	10/1996	Shoda	.....	D8/382	D658,052	S	*	4/2012	Boucher-Gagne	.....	D8/394
D374,611	S	*	10/1996	Bonoan	.....	401/104	D658,285	S	*	4/2012	Ryshkus	.....	D24/135
D376,756	S	*	12/1996	Adams	.....	D8/382	D658,286	S	*	4/2012	Ryshkus	.....	D24/135
D379,630	S	*	6/1997	Brockway	.....	D15/29	D658,287	S	*	4/2012	Ryshkus	.....	D24/135
D386,364	S	*	11/1997	Rimback	.....	D8/1	D658,761	S	*	5/2012	Brotman	.....	D24/155
D391,843	S	*	3/1998	Glickman	.....	D8/382	D659,525	S	*	5/2012	Boucher-Gagne	.....	D8/394
D392,553	S	*	3/1998	Dill	.....	D8/380	D659,526	S	*	5/2012	Boucher-Gagne	.....	D8/395
D393,417	S	*	4/1998	Glickman	.....	D8/382	D659,527	S	*	5/2012	Boucher-Gagne	.....	D8/395
D404,285	S	*	1/1999	Skudelny	.....	D8/354	D664,929	S	*	8/2012	Saber	.....	D13/154
D407,301	S	*	3/1999	Donalies	.....	D8/382	D666,937	S	*	9/2012	Dunn	.....	D11/184
D443,503	S	*	6/2001	Harvey	.....	D8/367	D676,071	S	*	2/2013	Cox	.....	D15/139
D471,925	S	*	3/2003	Duginske	.....	D15/140	D677,386	S	*	3/2013	Bisleri	.....	D24/148
D486,503	S	*	2/2004	East	.....	D15/133	D680,654	S	*	4/2013	Borreli	.....	D24/188
D522,348	S	*	6/2006	Hansen	.....	D8/354	D685,088	S	*	6/2013	Yaremchuk	.....	D24/143
D527,400	S	*	8/2006	Konet	.....	D15/139	D687,684	S	*	8/2013	Olson	.....	D8/8
D527,750	S	*	9/2006	Prince	.....	D15/138	D691,027	S	*	10/2013	Rainer	.....	D8/356
D529,521	S	*	10/2006	Prince	.....	D15/138	D691,721	S	*	10/2013	Scheibel	.....	D24/146
D529,524	S	*	10/2006	Duncan	.....	D15/138	D692,935	S	*	11/2013	Meier	.....	D15/123
D534,417	S	*	1/2007	Caruana	.....	D8/382	D693,381	S	*	11/2013	Meier	.....	D15/123
D534,934	S	*	1/2007	Bernhardt	.....	D15/140	D693,382	S	*	11/2013	Meier	.....	D15/123
D544,004	S	*	6/2007	Janness	.....	D15/139	D693,383	S	*	11/2013	Meier	.....	D15/123
D548,416	S	*	8/2007	Gullicks	.....	D32/42	D698,235	S	*	1/2014	Oetlinger	.....	D8/397
D548,571	S	*	8/2007	Bigelow	.....	D8/349	D700,829	S	*	3/2014	Nanbu	.....	D8/367
D556,531	S	*	12/2007	Allen	.....	D8/72	D706,322	S	*	6/2014	Monttinen	.....	D15/139
D567,832	S	*	4/2008	Edwards	.....	D15/139	D708,738	S	*	7/2014	Berman	.....	D24/112
D572,735	S	*	7/2008	Kammerer	.....	D15/139	D712,473	S	*	9/2014	Andochick	.....	D19/81
D574,400	S	*	8/2008	Willibald	.....	D15/123	D712,487	S	*	9/2014	Strand	.....	D21/484
D576,464	S	*	9/2008	Franks, Jr.	.....	D8/72	D712,488	S	*	9/2014	Strand	.....	D21/484
D590,944	S	*	4/2009	Watanabe	.....	D24/143	D714,374	S	*	9/2014	Sammons	.....	D16/237
D595,322	S	*	6/2009	Sakata	.....	D15/139	D714,621	S	*	10/2014	Pan	.....	D8/367
D595,323	S	*	6/2009	Sakata	.....	D15/139	D719,655	S	*	12/2014	Lim	.....	D24/153
D595,751	S	*	7/2009	Sakata	.....	D15/139	D720,072	S	*	12/2014	Cheney	.....	D24/155
D597,393	S	*	8/2009	Klippel	.....	D8/72	D721,785	S	*	1/2015	Gehrunge	.....	D23/226
D599,479	S	*	9/2009	Petersen	.....	D24/133	D722,864	S	*	2/2015	Greenthal	.....	D8/382
D620,109	S	*	7/2010	Darst Rice	.....	D24/146	D722,865	S	*	2/2015	Greenthal	.....	D8/382
D623,929	S	*	9/2010	Jarvis	.....	D8/381	D727,138	S	*	4/2015	Cross	.....	D8/382
D625,806	S	*	10/2010	Leroy	.....	D24/143	D734,852	S	*	7/2015	Lim	.....	D24/153
D625,807	S	*	10/2010	Leroy	.....	D24/143	D737,442	S	*	8/2015	Hasebe	.....	D24/146
D625,808	S	*	10/2010	Leroy	.....	D24/143	D742,720	S	*	11/2015	Perry	.....	D8/349
D625,809	S	*	10/2010	Cuschieri	.....	D24/143	D747,803	S	*	1/2016	Knight	.....	D24/140
D625,984	S	*	10/2010	McGralh	.....	D8/355	D749,730	S	*	2/2016	Dietz	.....	D24/146
D625,986	S	*	10/2010	Kolasa	.....	D8/356	D752,740	S	*	3/2016	Price	.....	D24/129
D626,225	S	*	10/2010	Dapri	.....	D24/143	D754,949	S	*	5/2016	Lu	.....	D2/864
D626,226	S	*	10/2010	Carus	.....	D24/143	D760,580	S	*	7/2016	Pace	.....	D8/382
D626,227	S	*	10/2010	Leroy	.....	D24/143	D761,953	S	*	7/2016	Eisele	.....	D24/113
D626,228	S	*	10/2010	Leroy	.....	D24/143	D764,053	S	*	8/2016	Stonig	.....	D24/127
D626,229	S	*	10/2010	Leroy	.....	D24/143	D765,156	S	*	8/2016	Matsumoto	.....	D15/138
D627,462	S	*	11/2010	Kingsley	.....	D24/144	D767,350	S	*	9/2016	Bober	.....	D8/14
D629,902	S	*	12/2010	Palmer	.....	D24/146	D767,761	S	*	9/2016	Babb	.....	D24/143
D631,493	S	*	1/2011	Tanaka	.....	D15/139	D768,471	S	*	10/2016	Marquez	.....	D8/382
D633,614	S	*	3/2011	Mao	.....	D24/135	D768,855	S	*	10/2016	McMillan	.....	D24/143
D636,661	S	*	4/2011	Marmas	.....	D8/395	D772,373	S	*	11/2016	Calbi	.....	D22/199
D638,041	S	*	5/2011	Saito	.....	D15/139	D772,399	S	*	11/2016	Beechie	.....	D24/119
D638,280	S	*	5/2011	Mcalonan	.....	D8/349	D773,388	S	*	12/2016	Sweeney	.....	D13/102
D638,453	S	*	5/2011	Buhr	.....	D15/140	D773,663	S	*	12/2016	Miyagi	.....	D24/143
D640,790	S	*	6/2011	Nishimura	.....	D24/146	D774,191	S	*	12/2016	Miyagi	.....	D24/143
D641,872	S	*	7/2011	Solingen	.....	D24/143	D776,025	S	*	1/2017	Tsai	.....	D12/179
D641,873	S	*	7/2011	Solingen	.....	D24/143	D776,276	S	*	1/2017	Witt	.....	D24/146
D641,874	S	*	7/2011	Solingen	.....	D24/143	D778,446	S	*	2/2017	Kumar	.....	D24/171
D643,281	S	*	8/2011	Roberts	.....	D8/394	D783,166	S	*	4/2017	Champ	.....	D24/147
D643,925	S	*	8/2011	Vaidya	.....	A61B 17/7035	D784,531	S	*	4/2017	Malcolm	.....	D24/135
						D24/155	D788,917	S	*	6/2017	Lautemann	.....	D24/143
D644,920	S	*	9/2011	Price	.....	D8/395	D788,919	S	*	6/2017	Lautemann	.....	D24/143
D647,116	S	*	10/2011	Omi	.....	D15/139	D788,920	S	*	6/2017	Lautemann	.....	D24/143
D647,117	S	*	10/2011	Omi	.....	D15/139	D789,530	S	*	6/2017	Casey	.....	A61B 17/863
D648,850	S	*	11/2011	Kelman	.....	A61B 17/164							D24/135
						D24/133	D791,321	S	*	7/2017	Wittner	.....	D24/146
D652,924	S	*	1/2012	Noshiro	.....	D24/143	D792,587	S	*	7/2017	Owens	.....	D24/133
D657,662	S	*	4/2012	Boucher-Gagne	.....	D8/394	D793,828	S	*	8/2017	Askin	.....	D8/47
D657,663	S	*	4/2012	Boucher-Gagne	.....	D8/394	D796,039	S	*	8/2017	McMillan	.....	D24/143
D657,664	S	*	4/2012	Boucher-Gagne	.....	D8/394	D796,666	S	*	9/2017	Beechie	.....	D24/119
D658,048	S	*	4/2012	Boucher-Gagne	.....	D8/394	D800,903	S	*	10/2017	Heiliger	.....	D24/144
D658,049	S	*	4/2012	Boucher-Gagne	.....	D8/394	D801,533	S	*	10/2017	Slater	.....	D24/171
D658,050	S	*	4/2012	Boucher-Gagne	.....	D8/394	D808,780	S	*	1/2018	Kim	.....	D8/367
D658,051	S	*	4/2012	Boucher-Gagne	.....	D8/394	D809,028	S	*	1/2018	Imahase	.....	D15/135
						D8/394	D809,207	S	*	1/2018	Hussain	.....	D28/55
						D8/394	D814,031	S	*	3/2018	Radpour	.....	D24/141
						D8/394	D816,548	S	*	5/2018	Soylemez	.....	D12/51
						D8/394	D819,815	S	*	6/2018	Goodman	.....	D24/144

(56)

References Cited

U.S. PATENT DOCUMENTS

D823,155 S \* 7/2018 Allen ..... D11/87  
 D823,970 S \* 7/2018 Choma ..... D22/107  
 D824,026 S \* 7/2018 Eaton ..... D24/128  
 D825,755 S \* 8/2018 Pfeffer ..... D24/143  
 D827,133 S \* 8/2018 Gro er ..... D24/130  
 D828,554 S \* 9/2018 Goodman ..... D24/144  
 D828,558 S \* 9/2018 Haerle ..... D24/146  
 D831,571 S \* 10/2018 Eberts ..... H01H 71/08  
 D831,827 S \* 10/2018 Kohler ..... D24/152  
 D832,441 S \* 10/2018 Dacosta ..... D24/155  
 10,099,358 B2 \* 10/2018 McMillan ..... A61B 17/92  
 D833,613 S \* 11/2018 Grotz ..... D24/155  
 D834,188 S \* 11/2018 Alexander ..... D24/135  
 D834,715 S \* 11/2018 Alladu ..... D24/147  
 D836,197 S \* 12/2018 Cormio ..... D24/143  
 D837,377 S \* 1/2019 Steen ..... D24/154  
 D837,845 S \* 1/2019 Jones ..... D15/138  
 D838,847 S \* 1/2019 Zhang ..... D24/143  
 D840,999 S \* 2/2019 Hu ..... D14/253  
 D843,570 S \* 3/2019 Alladu ..... D24/140  
 D843,574 S \* 3/2019 Goodman ..... D24/144  
 D843,822 S \* 3/2019 Chappus ..... D8/380  
 D844,141 S \* 3/2019 Lautemann ..... D24/146  
 D844,143 S \* 3/2019 Muller ..... D24/152  
 D844,409 S \* 4/2019 Breeden, III ..... D8/303  
 D845,479 S \* 4/2019 Lautemann ..... D24/146  
 D845,480 S \* 4/2019 Lautemann ..... D24/146  
 D845,481 S \* 4/2019 Lautemann ..... D24/146  
 D845,482 S \* 4/2019 Lautemann ..... D24/146  
 D845,483 S \* 4/2019 Lautemann ..... D24/146  
 D846,119 S \* 4/2019 Greeley ..... D24/135  
 D846,803 S \* 4/2019 Thai ..... D28/57  
 D847,231 S \* 4/2019 Abe ..... D15/139  
 D847,370 S \* 4/2019 Paavilainen ..... D24/227  
 D850,614 S \* 6/2019 Eaton ..... D24/128  
 D852,245 S \* 6/2019 Kobayashi ..... D15/139  
 D852,246 S \* 6/2019 Kobayashi ..... D15/139  
 D852,308 S \* 6/2019 Ethridge ..... D22/108  
 D852,612 S \* 7/2019 Paik ..... D8/394  
 D857,197 S \* 8/2019 Loewe ..... D24/140  
 D857,470 S \* 8/2019 Corcoran ..... D8/14  
 D858,751 S \* 9/2019 Fischman ..... D24/112  
 D858,764 S \* 9/2019 Zimmerli ..... D24/137  
 D858,766 S \* 9/2019 Pfeffer ..... D24/143  
 D859,394 S \* 9/2019 Skogrand-Khatib ..... D14/253  
 D859,653 S \* 9/2019 Hartson ..... D24/135  
 D861,160 S \* 9/2019 Broyles ..... D24/127  
 D863,383 S \* 10/2019 Wills ..... D15/139  
 D865,826 S \* 11/2019 Hatano ..... D15/199

D866,282 S \* 11/2019 Ozeki ..... D8/71  
 D867,862 S \* 11/2019 Veilleux ..... D8/367  
 D871,897 S \* 1/2020 Wellington ..... D8/367  
 D875,928 S \* 2/2020 Zagatsky ..... D24/135  
 D877,328 S \* 3/2020 Alsiddiky ..... D24/135  
 D878,906 S \* 3/2020 Tung ..... D8/356  
 D879,688 S \* 3/2020 Ye ..... D12/182  
 D880,278 S \* 4/2020 Jaramillo ..... D8/354  
 D882,653 S \* 4/2020 Abe ..... D15/139  
 D882,793 S \* 4/2020 Qun ..... D24/146  
 D883,069 S \* 5/2020 Fannesbeck ..... D8/336  
 D886,222 S \* 6/2020 Griffiths ..... D21/797  
 D886,297 S \* 6/2020 Van Wyk ..... D24/143  
 D888,349 S \* 6/2020 Yoo ..... D30/158  
 D888,950 S \* 6/2020 Kuchta ..... D24/144  
 D889,646 S \* 7/2020 Bauer ..... D24/133  
 D894,385 S \* 8/2020 Giordano ..... D24/140  
 D895,797 S \* 9/2020 Brockmann ..... D24/133  
 D896,371 S \* 9/2020 Azapagic ..... D24/128  
 D898,192 S \* 10/2020 Sauer ..... D24/133  
 D898,909 S \* 10/2020 Sauer ..... D24/133  
 D898,914 S \* 10/2020 Niver ..... D24/147  
 D899,674 S \* 10/2020 He ..... D26/138  
 D900,581 S \* 11/2020 Su ..... D8/88  
 D901,687 S \* 11/2020 Chalk ..... D24/146  
 10,828,052 B2 \* 11/2020 Miller ..... A61B 17/244  
 D904,152 S \* 12/2020 Kukucka ..... D8/71  
 D904,842 S \* 12/2020 Hsieh ..... D8/29  
 D906,781 S \* 1/2021 Kukucka ..... D8/71  
 D907,152 S \* 1/2021 Windover ..... D21/782  
 D908,275 S \* 1/2021 Galli ..... D26/138  
 D909,437 S \* 2/2021 Sorai ..... D15/139  
 D910,093 S \* 2/2021 Abe ..... D15/139  
 D912,708 S \* 3/2021 Weinberg ..... D15/139  
 D913,084 S \* 3/2021 Nagaki ..... D8/394  
 D913,940 S \* 3/2021 Ishii ..... D13/121  
 D914,121 S \* 3/2021 McGowan ..... D21/774  
 D915,165 S \* 4/2021 Hsieh ..... D8/29  
 D915,185 S \* 4/2021 Benoit ..... D8/382  
 D916,279 S \* 4/2021 Rooks ..... A61B 90/57  
 D917,125 S \* 4/2021 Wood ..... D34/35  
 D918,145 S \* 5/2021 Varjabedian ..... D13/118  
 D918,704 S \* 5/2021 Klotz ..... A61B 90/57  
 D919,799 S \* 5/2021 Zollinger ..... D24/129  
 D920,772 S \* 6/2021 McClung ..... D8/394  
 D921,887 S \* 6/2021 Hu ..... D24/128  
 D922,835 S \* 6/2021 Cao ..... D7/653  
 D922,931 S \* 6/2021 Badillo ..... D12/412  
 D923,178 S \* 6/2021 Abbasi ..... D24/155

\* cited by examiner

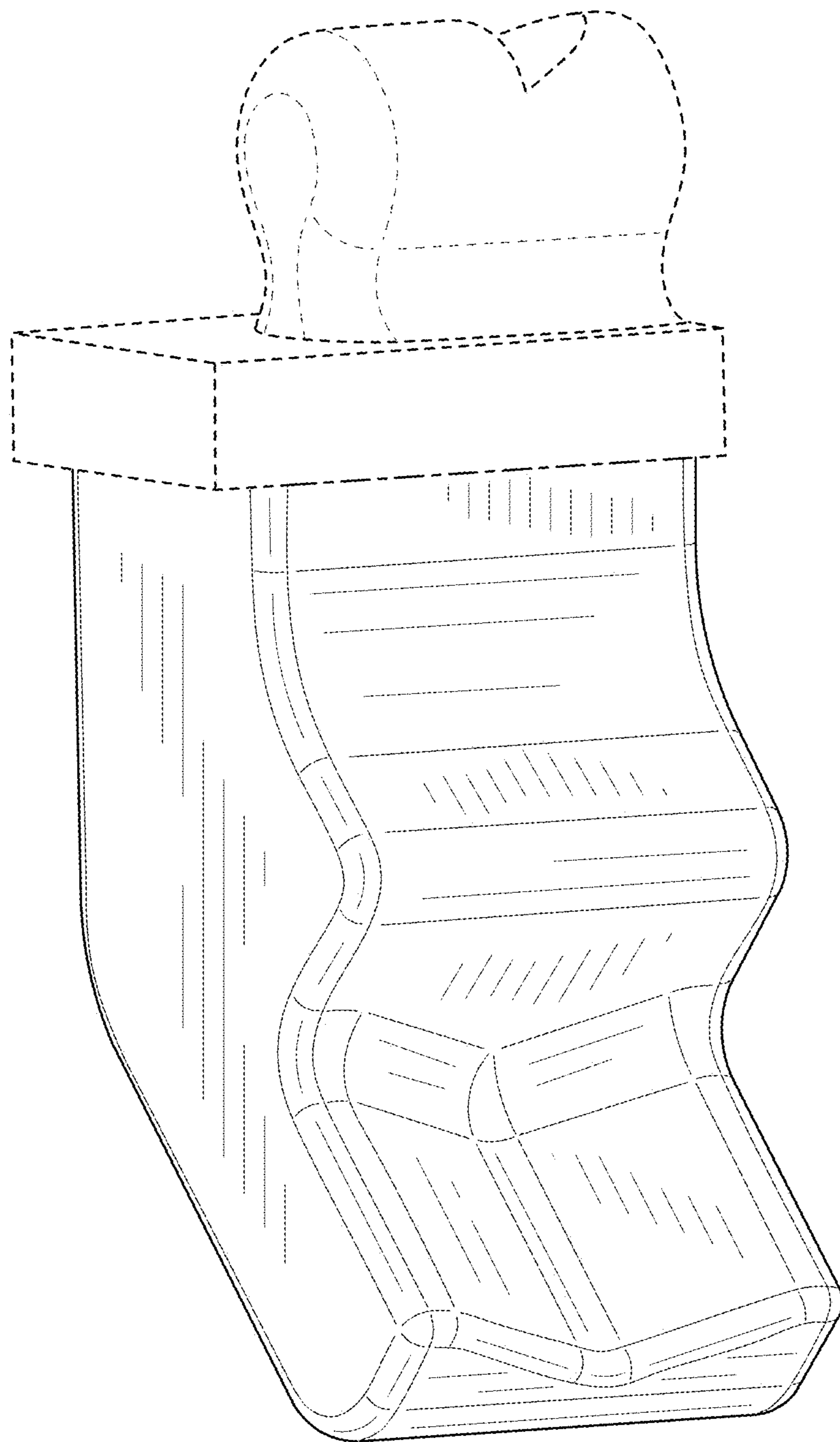


FIG. 1

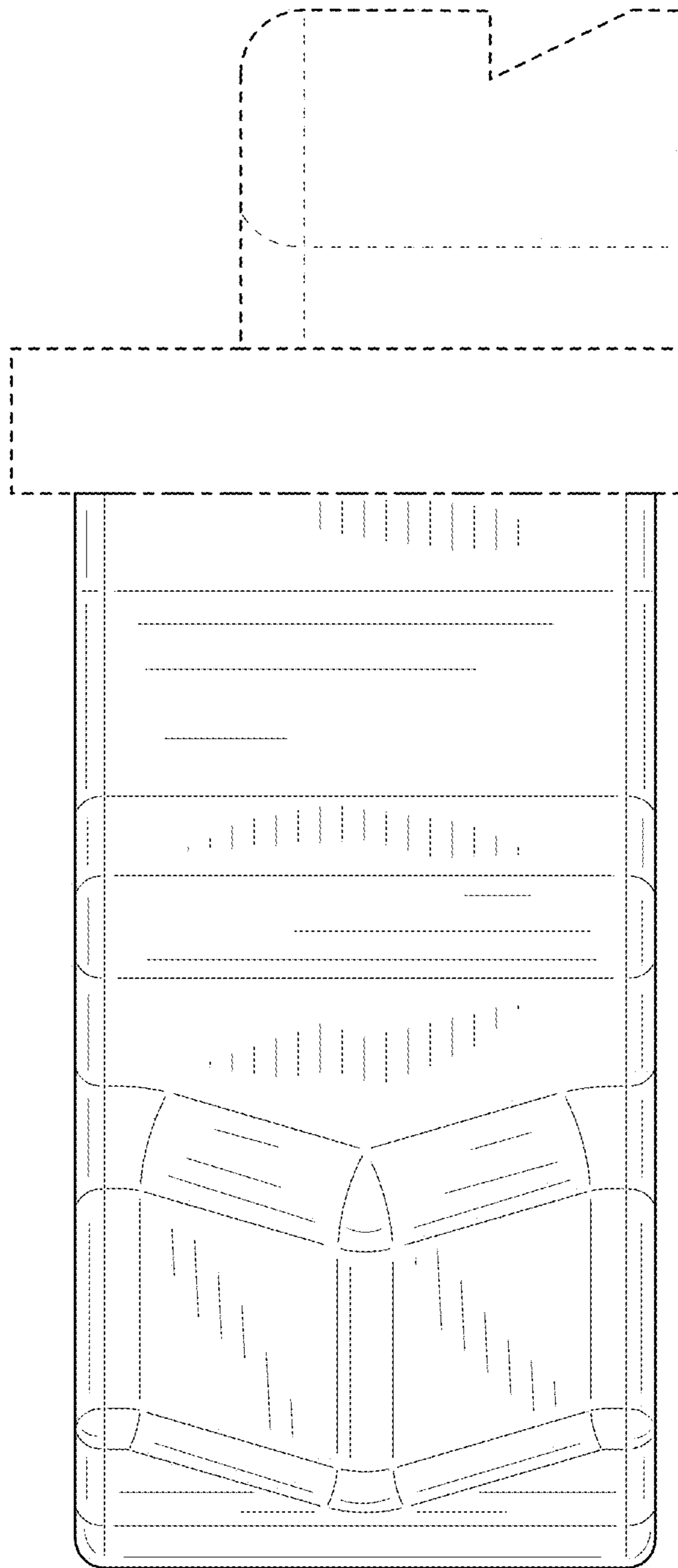


FIG. 2

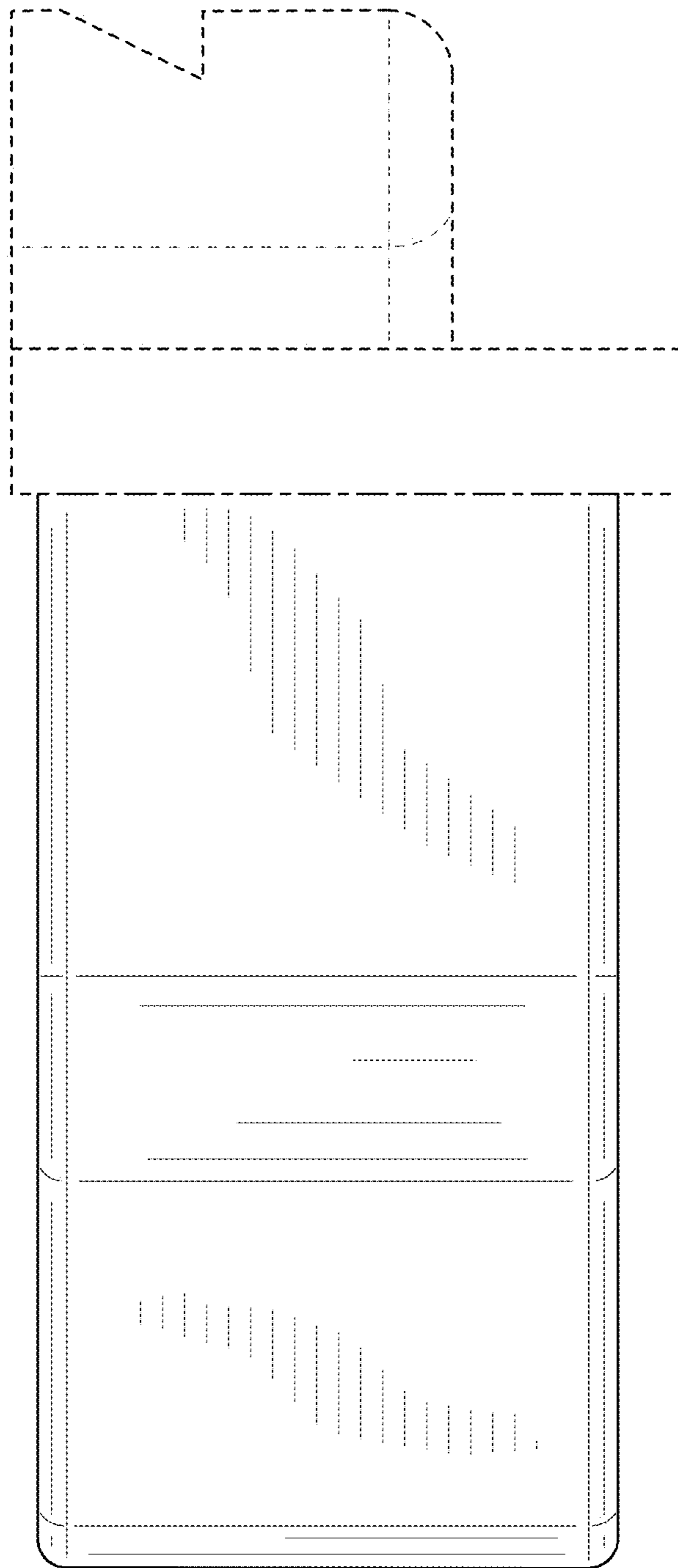


FIG. 3

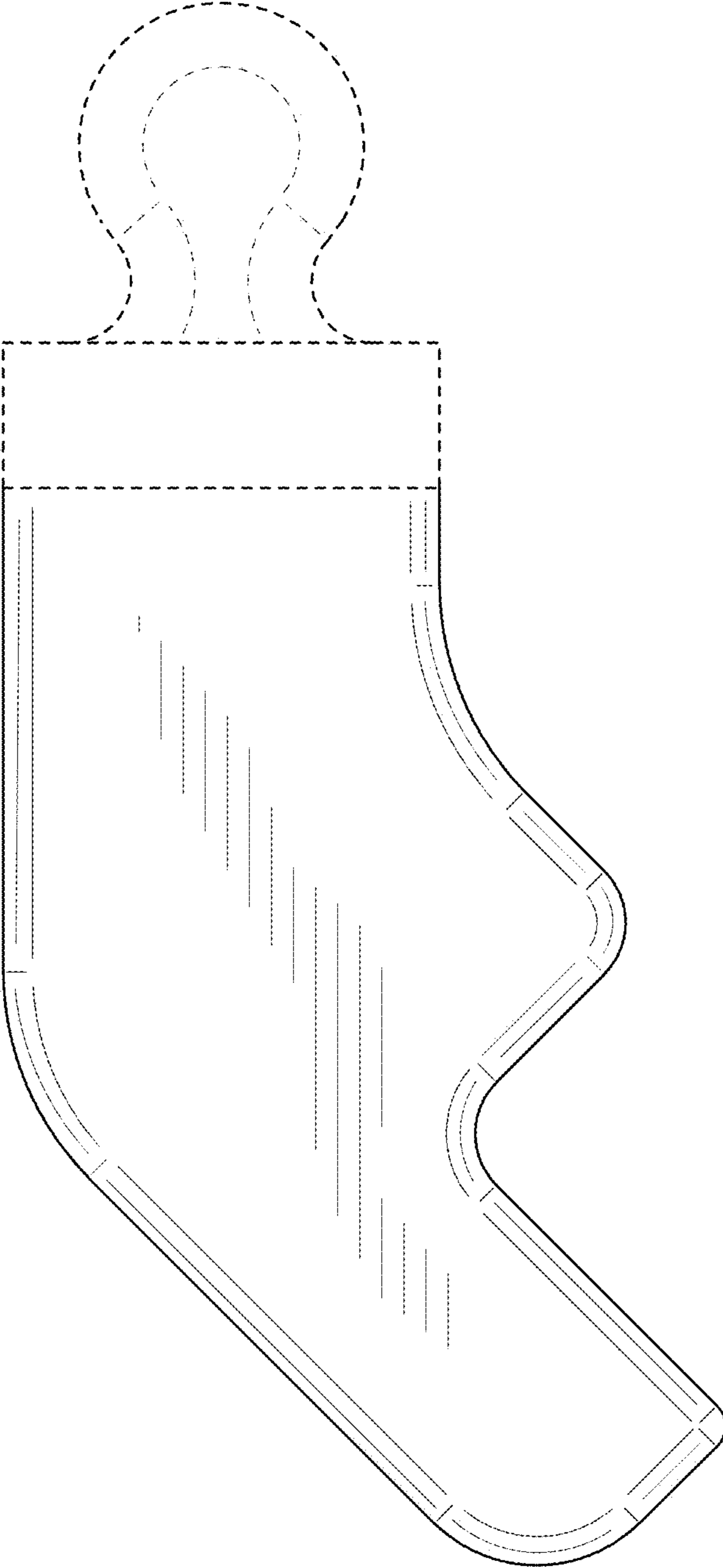


FIG. 4

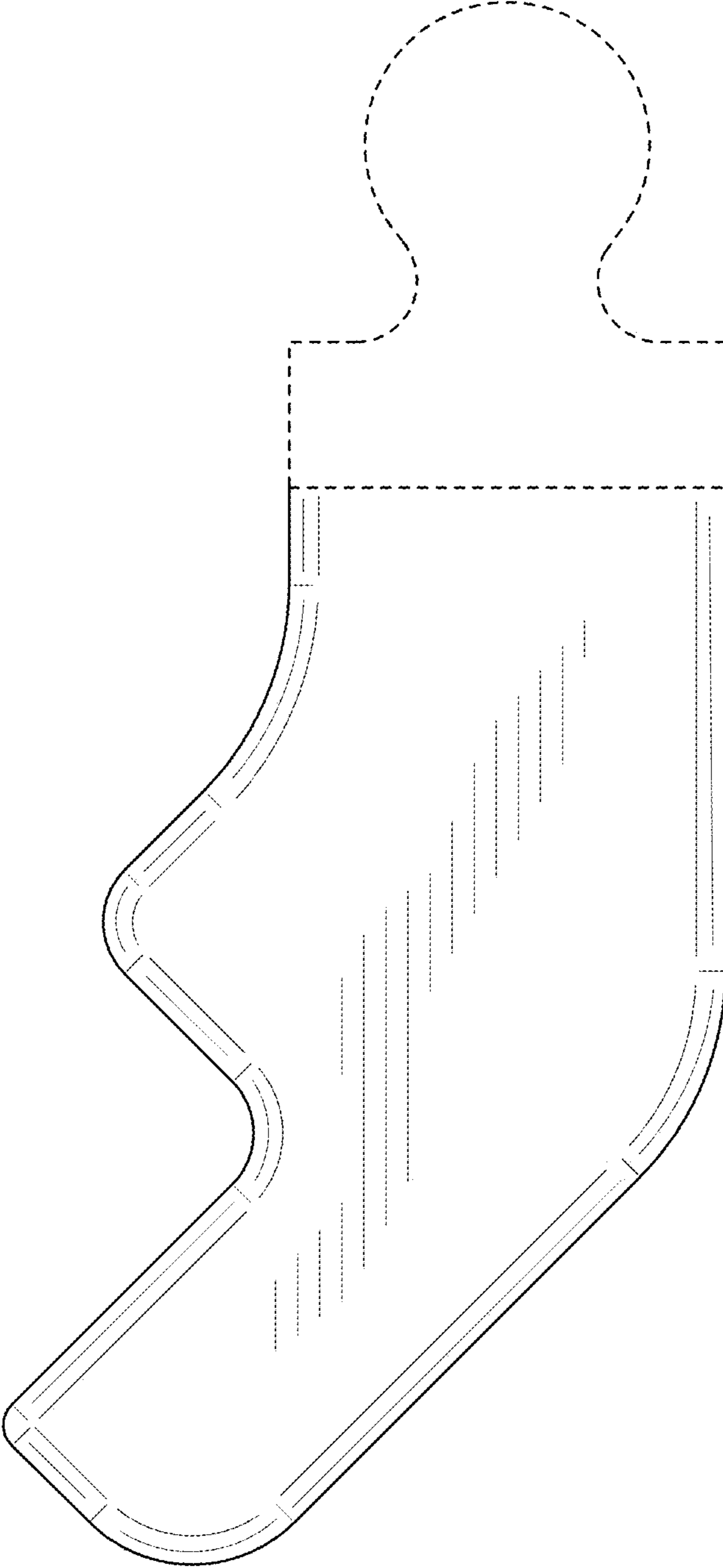


FIG. 5



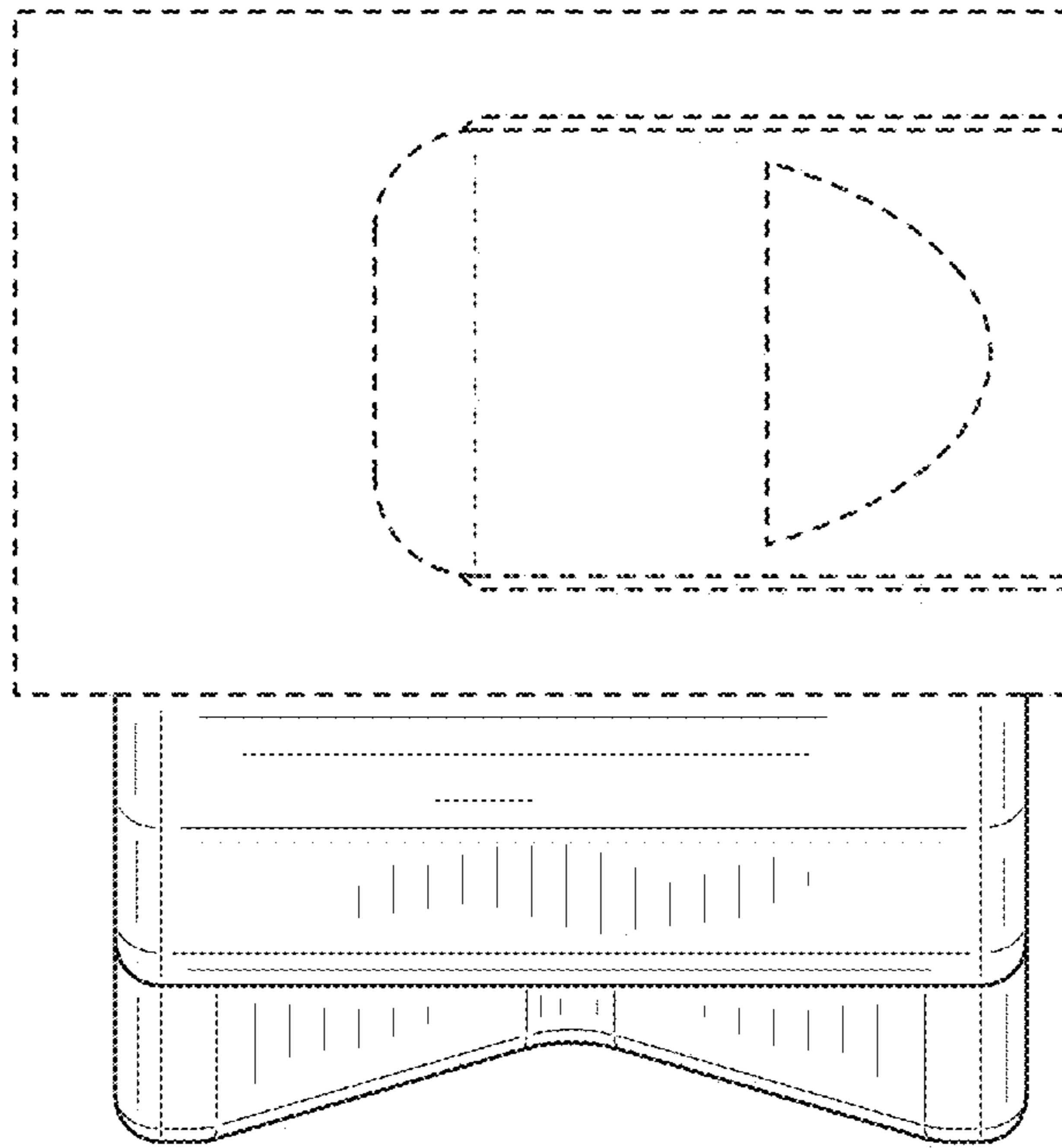


FIG. 6

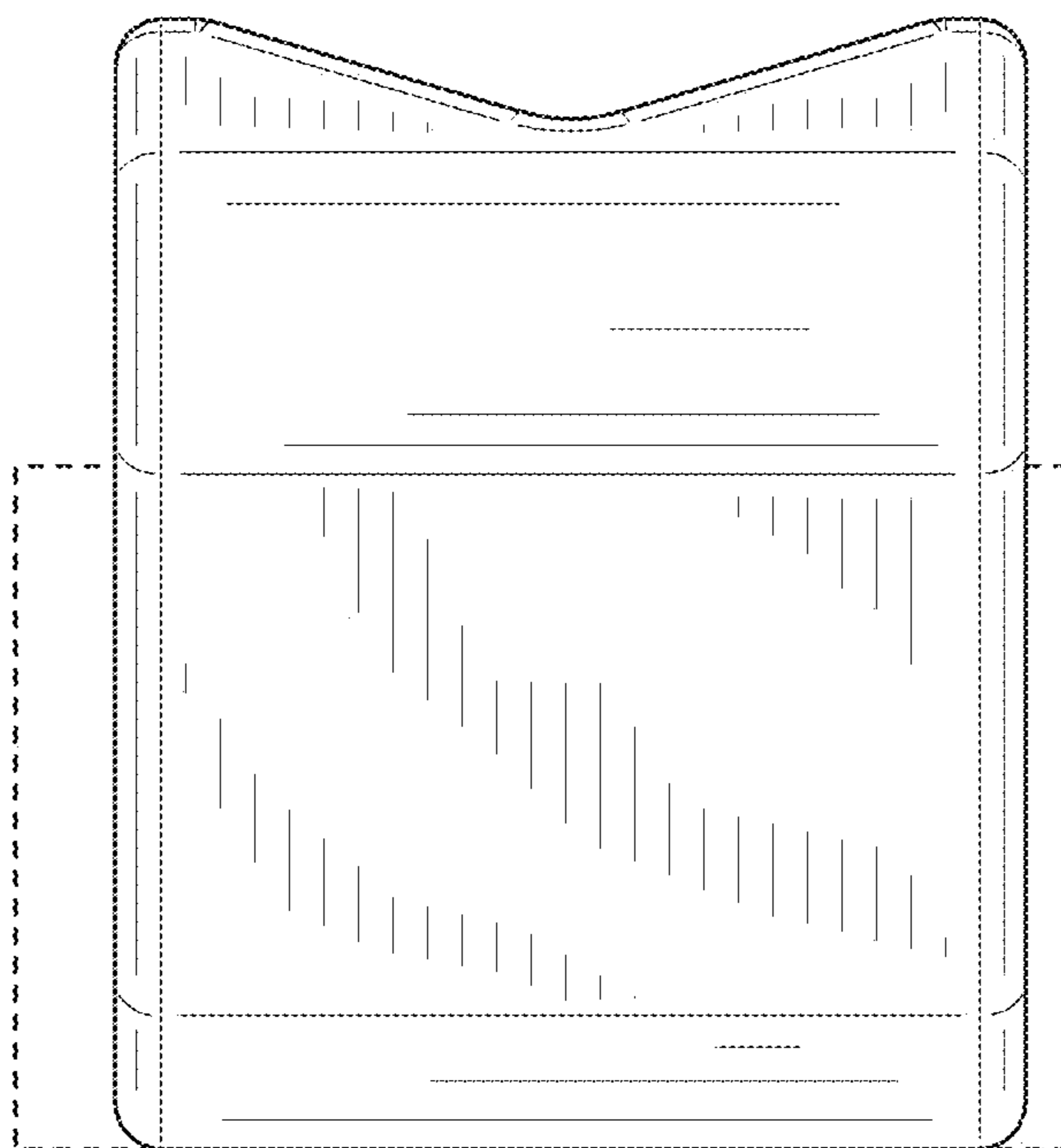


FIG. 7