



US00D933209S

(12) **United States Design Patent**  
**Sweitzer**

(10) **Patent No.:** **US D933,209 S**  
(45) **Date of Patent:** **\*\* Oct. 12, 2021**

(54) **JAW CONNECTION OF A SURGICAL INSTRUMENT**

(71) Applicant: **Shukla Medical**, St. Petersburg, FL (US)

(72) Inventor: **Zachary Robert Sweitzer**, Keyport, NJ (US)

(73) Assignee: **Shukla Medical**, St. Petersburg, FL (US)

(\*\*) Term: **15 Years**

(21) Appl. No.: **29/708,203**

(22) Filed: **Oct. 4, 2019**

(51) **LOC (13) Cl.** ..... **24-02**

(52) **U.S. Cl.**  
USPC ..... **D24/133**

(58) **Field of Classification Search**  
USPC ..... D24/133, 128, 135, 155, 159, 183, 184, D24/190; D15/140, 138; D8/71, 74, D8/321, 380, 382, 349, 394, 499; D3/312, 313  
CPC ... A61B 2017/0287; B25B 9/00; B25B 11/00; B25B 23/00; B25B 23/0007; B25B 23/0057; B25B 23/0085; B25B 33/00; A47F 5/0869; Y10S 269/00; Y10T 16/00; Y10T 16/211; Y10T 279/00; Y10T 279/17196; Y10T 279/17752; F16M 2200/066; F16M 100/00; F16M 13/00; F16M 13/005; F16M 13/04; F16M 11/02  
See application file for complete search history.

(56) **References Cited**

**U.S. PATENT DOCUMENTS**

D228,622 S *	10/1973	Juhlin	.....	D8/373
D228,738 S *	10/1973	Rubin	.....	F16L 3/22
				D8/394
D263,714 S *	4/1982	Treloar	.....	D15/140
D296,417 S *	6/1988	Misono	.....	248/74.2

D306,032 S *	2/1990	Mihic	.....	407/116
D308,818 S *	6/1990	Powrzanas	.....	D13/183
D309,255 S *	7/1990	Karow, Jr.	.....	D22/110
D322,555 S *	12/1991	Kokenge	.....	D8/380
D355,582 S *	2/1995	Sleight	.....	D8/354

(Continued)

**OTHER PUBLICATIONS**

Orthopedic Cannulated Nitinol Flexible Reamer [site visited Apr. 14, 2021]. Available from Internet. URL: [https://www.alibaba.com/product-detail/Orthopedic-cannulated-Nitinol-flexible-reamer-with\\_60530202147.html](https://www.alibaba.com/product-detail/Orthopedic-cannulated-Nitinol-flexible-reamer-with_60530202147.html) (Year: 2021).\*

*Primary Examiner* — T Chase Nelson

*Assistant Examiner* — Kelly L Gross

(74) *Attorney, Agent, or Firm* — Kim IP Law Group LLC

(57) **CLAIM**

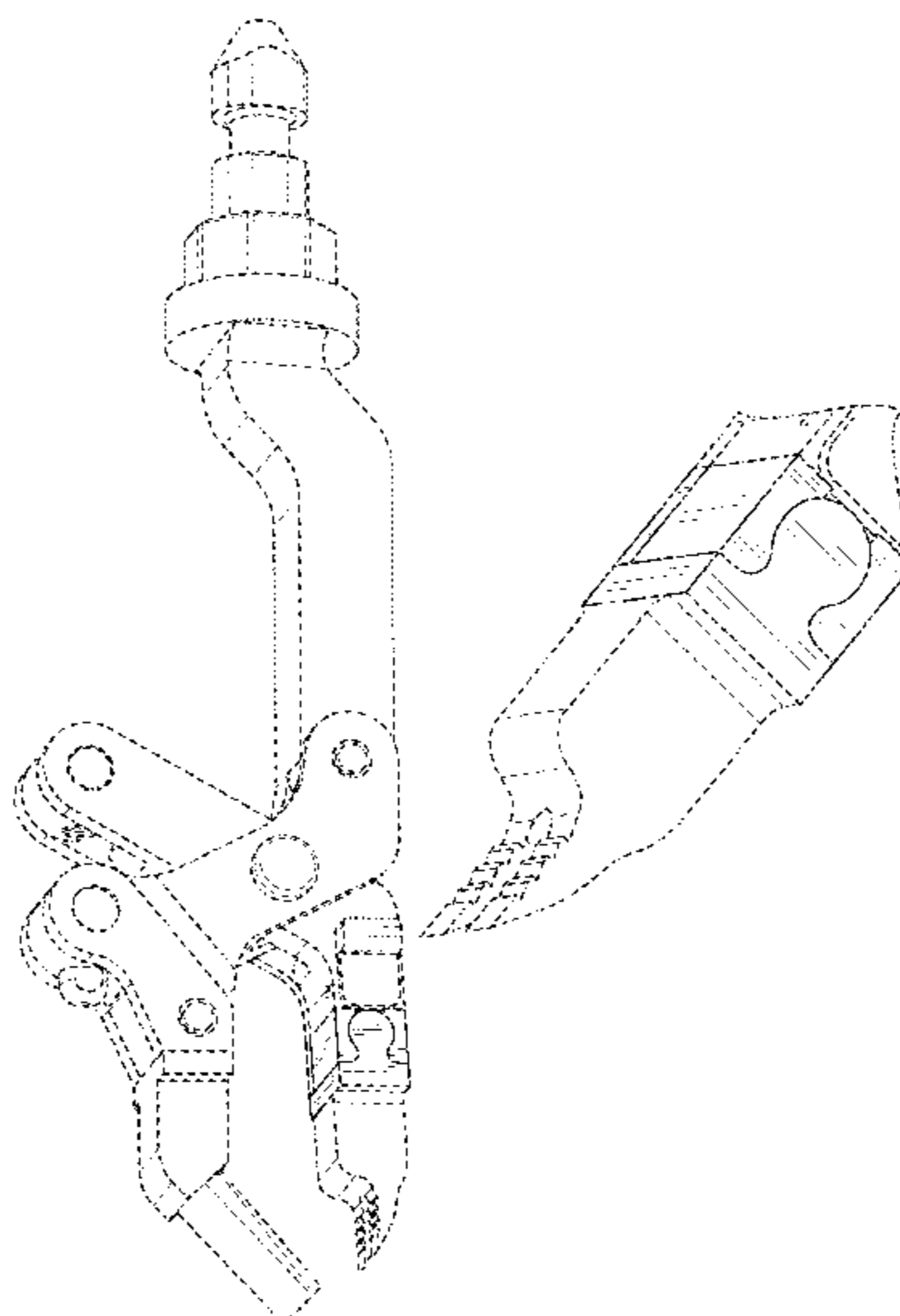
The ornamental design for a jaw connection of a surgical instrument, as shown and described.

**DESCRIPTION**

FIG. 1 is a perspective view of a jaw connection of a surgical instrument in accordance with the new design; FIG. 2 is an enlarged partial perspective view of the jaw connection of a surgical instrument of FIG. 1; FIG. 3 is a front view of the jaw connection of a surgical instrument of FIG. 2; FIG. 4 is a rear view of the jaw connection of a surgical instrument of FIG. 2; FIG. 5 is a right side view of the jaw connection of a surgical instrument of FIG. 2; and, FIG. 6 is a left side view of the jaw connection of a surgical instrument of FIG. 2.

The even length broken lines in the figures are directed to portions of the jaw connection of a surgical instrument that form no part of the claimed design. The dot-dashed lines show unclaimed boundaries and form no part of the claimed design.

**1 Claim, 6 Drawing Sheets**



(56)

## References Cited

## U.S. PATENT DOCUMENTS

D358,972 S *	6/1995	Libman	D8/107	D791,321 S *	7/2017	Wittner	D24/146
D360,686 S *	7/1995	Kumar	D24/133	D819,815 S *	6/2018	Goodman	D24/144
D366,609 S *	1/1996	McDonald	D8/395	D823,155 S *	7/2018	Allen	D11/87
D374,607 S *	10/1996	Shoda	D8/382	D823,479 S *	7/2018	Mollohan	D24/215
D374,608 S *	10/1996	Shoda	D8/382	D823,970 S *	7/2018	Choma	D22/107
D374,611 S *	10/1996	Bonoan	401/104	D824,026 S *	7/2018	Eaton	D24/128
D386,364 S *	11/1997	Rimback	D8/1	D824,753 S *	8/2018	Chappus	D8/380
D393,417 S *	4/1998	Glickman	D8/382	D826,398 S *	8/2018	Eaton	D24/128
D468,612 S *	1/2003	Coulter	D8/72	D828,554 S *	9/2018	Goodman	D24/144
D486,503 S *	2/2004	East	D15/133	D830,915 S *	10/2018	Brown, Jr.	D12/133
D489,452 S *	5/2004	Schweikert	D24/127	D830,916 S *	10/2018	Brown, Jr.	D12/133
D491,265 S *	6/2004	Schweikert	D24/128	D831,571 S *	10/2018	Eberts	H01H 71/08
D498,299 S *	11/2004	Schweikert	D24/128				D13/119
D522,348 S *	6/2006	Hansen	D8/354	D837,845 S *	1/2019	Jones	D15/138
D527,750 S *	9/2006	Prince	D15/138	D839,630 S *	2/2019	Gilor	D6/526
D529,521 S *	10/2006	Prince	D15/138	D840,999 S *	2/2019	Hu	D14/253
D529,524 S *	10/2006	Duncan	D15/138	D841,811 S *	2/2019	Levy	D24/155
D534,417 S *	1/2007	Caruana	D8/382	D843,822 S *	3/2019	Chappus	D8/380
D534,934 S *	1/2007	Bernhardt	D15/140	D847,231 S *	4/2019	Abe	D15/139
D536,791 S *	2/2007	Eskridge	D24/146	D849,946 S *	5/2019	Gustine	D24/155
D537,939 S *	3/2007	Phillips	D24/135	D850,614 S *	6/2019	Eaton	D24/128
D539,133 S *	3/2007	Nagle	D8/396	D851,059 S *	6/2019	Ando	D14/205
D539,639 S *	4/2007	Nagle	D8/396	D852,308 S *	6/2019	Ethridge	D22/108
D546,100 S *	7/2007	De Boes	D6/407	D854,665 S *	7/2019	Simon	D23/262
D548,571 S *	8/2007	Bigelow	D8/349	D856,706 S *	8/2019	Moffett	D6/601
D551,763 S *	9/2007	Phillips	D24/135	D857,197 S *	8/2019	Loewe	D24/140
D562,449 S *	2/2008	Schweikert	D24/128	D858,764 S *	9/2019	Zimmerli	D24/137
D563,551 S *	3/2008	Schweikert	D24/128	D860,438 S *	9/2019	Burgess	D24/128
D567,372 S *	4/2008	Chesnin	D24/128	D863,007 S *	10/2019	Lopez	D8/26
D567,832 S *	4/2008	Edwards	D15/139	D864,391 S *	10/2019	Sweeney	D24/146
D568,991 S *	5/2008	Schweikert	D24/128	D865,016 S *	10/2019	Jorgensen	D15/148
D569,972 S *	5/2008	Schweikert	D24/128	D868,251 S *	11/2019	Binder	D24/141
D571,005 S *	6/2008	Chesnin	D24/128	D868,287 S *	11/2019	Frampton	D24/229
D573,861 S *	7/2008	Hammer	D8/72	D872,906 S *	1/2020	Oetlinger	D25/199
D576,464 S *	9/2008	Franks, Jr.	D8/72	D874,011 S *	1/2020	John	D24/190
D592,303 S *	5/2009	Chesnin	D24/128	D879,956 S *	3/2020	Klenner	D24/129
D599,184 S *	9/2009	Johnson	D8/72	D880,690 S *	4/2020	Smith	D24/129
D599,479 S *	9/2009	Petersen	D24/133	D882,076 S *	4/2020	Gavalis	D24/129
D612,695 S *	3/2010	Schultheiss	D8/51	D882,653 S *	4/2020	Abe	D15/139
D625,984 S *	10/2010	McGrath	D8/355	D883,713 S *	5/2020	Glatt	D6/601
D647,116 S *	10/2011	Omi	D15/139	D884,884 S *	5/2020	Eaton	D24/128
D647,117 S *	10/2011	Omi	D15/139	D888,234 S *	6/2020	Gavalis	D24/129
D654,101 S *	2/2012	Dale	D15/127	D888,944 S *	6/2020	Silbert	D24/128
D655,347 S *	3/2012	Gehring	D20/22	D888,945 S *	6/2020	Yemane-Tekeste	D24/129
D657,662 S *	4/2012	Boucher-Gagne	D8/394	D888,950 S *	6/2020	Kuchta	D24/144
D657,663 S *	4/2012	Boucher-Gagne	D8/394	D889,642 S *	7/2020	Silbert	D24/128
D657,664 S *	4/2012	Boucher-Gagne	D8/394	D891,613 S *	7/2020	Choate	D24/119
D658,761 S *	5/2012	Brotman	D24/155	D893,708 S *	8/2020	Trokell	D24/112
D664,929 S *	8/2012	Saber	D13/154	D895,111 S *	9/2020	Frey	D24/140
D676,071 S *	2/2013	Cox	D15/139	D896,372 S *	9/2020	Julian	D24/129
D680,654 S *	4/2013	Borrelli	D24/188	D896,373 S *	9/2020	Julian	D24/130
D685,475 S *	7/2013	Brotman	D24/155	D897,527 S *	9/2020	Zahler	D24/133
D686,748 S *	7/2013	Nakaji	D24/227	D898,192 S *	10/2020	Sauer	D24/133
D687,684 S *	8/2013	Olson	D8/8	D898,909 S *	10/2020	Sauer	D24/133
D712,473 S *	9/2014	Andochick	D19/81	D901,013 S *	11/2020	Davies	D24/155
D712,487 S *	9/2014	Strand	D21/484	D901,681 S *	11/2020	Konkle	D24/133
D712,488 S *	9/2014	Strand	D21/484	D904,152 S *	12/2020	Kukucka	D8/71
D715,427 S *	10/2014	Jovet-Hug	D24/128	D904,842 S *	12/2020	Hsieh	D8/29
D722,864 S *	2/2015	Greenthal	D8/382	D906,781 S *	1/2021	Kukucka	D8/71
D722,865 S *	2/2015	Greenthal	D8/382	D907,152 S *	1/2021	Windover	D21/782
D727,138 S *	4/2015	Cross	D8/382	D908,098 S *	1/2021	Kim	D13/155
D742,720 S *	11/2015	Perry	D8/349	D909,851 S *	2/2021	Chiang	D8/349
D746,456 S *	12/2015	Harrison	D24/146	D910,093 S *	2/2021	Abe	D15/139
D747,803 S *	1/2016	Knight	D24/140	D911,348 S *	2/2021	Lu	D14/439
D752,740 S *	3/2016	Price	D24/129	D912,708 S *	3/2021	Weinberg	D15/139
D753,475 S *	4/2016	Chappus	D8/380	D913,928 S *	3/2021	Nguyen	D13/119
D757,124 S *	5/2016	Stanley	D15/28	D915,165 S *	4/2021	Hsieh	D8/29
D757,957 S *	5/2016	Moshfegh	D24/224	D915,723 S *	4/2021	Wood	D34/35
D758,828 S *	6/2016	Corpuz, Jr.	D8/323	D916,279 S *	4/2021	Rooks	A61B 90/57
D759,464 S *	6/2016	West	D8/349				D24/129
D762,436 S *	8/2016	Gill	D8/72	D917,125 S *	4/2021	Wood	D34/35
D765,156 S *	8/2016	Matsumoto	D15/138	D918,145 S *	5/2021	Varjabedian	D13/118
D765,846 S *	9/2016	Lins	D24/155	D918,704 S *	5/2021	Klotz	A61B 90/57
D768,471 S *	10/2016	Marquez	D8/382				D8/397
D773,041 S *	11/2016	Lentsch	D24/128	D919,799 S *	5/2021	Zollinger	D24/129
				D920,772 S *	6/2021	McClung	D8/394
				D921,887 S *	6/2021	Hu	D24/128
				D922,835 S *	6/2021	Cao	D7/653

(56)

**References Cited**

U.S. PATENT DOCUMENTS

D922,931 S *	6/2021	Badillo .....	D12/412
D923,178 S *	6/2021	Abbasi .....	D24/155
2005/0173597 A1 *	8/2005	Farrell .....	F16L 3/22 248/68.1

\* cited by examiner

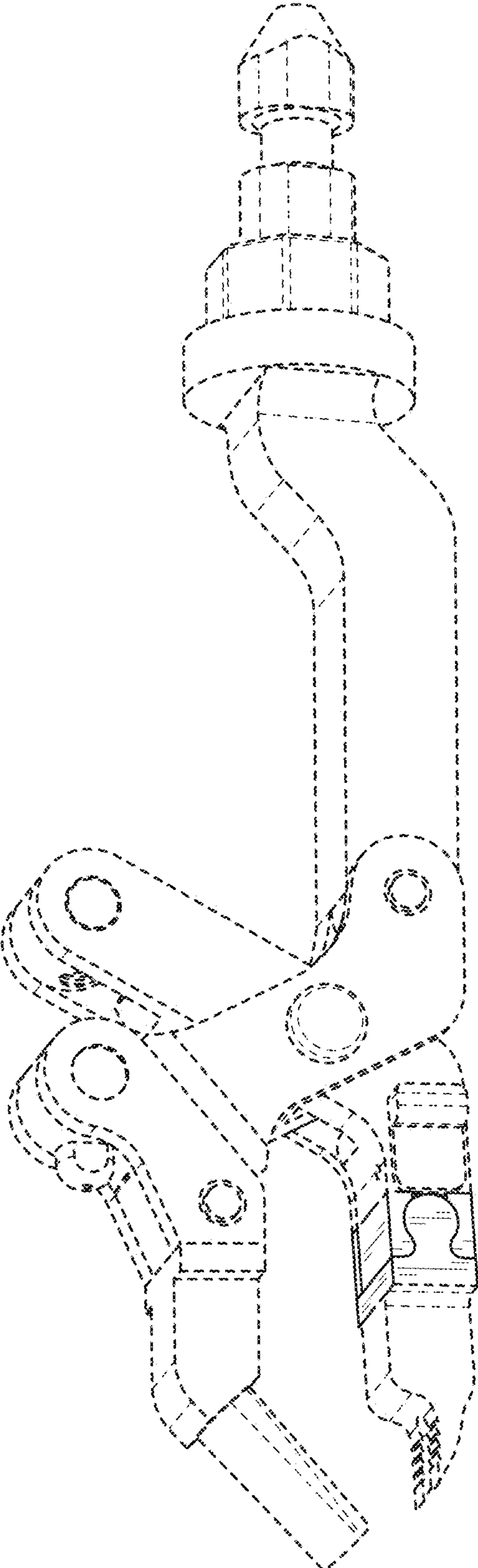


FIG. 1

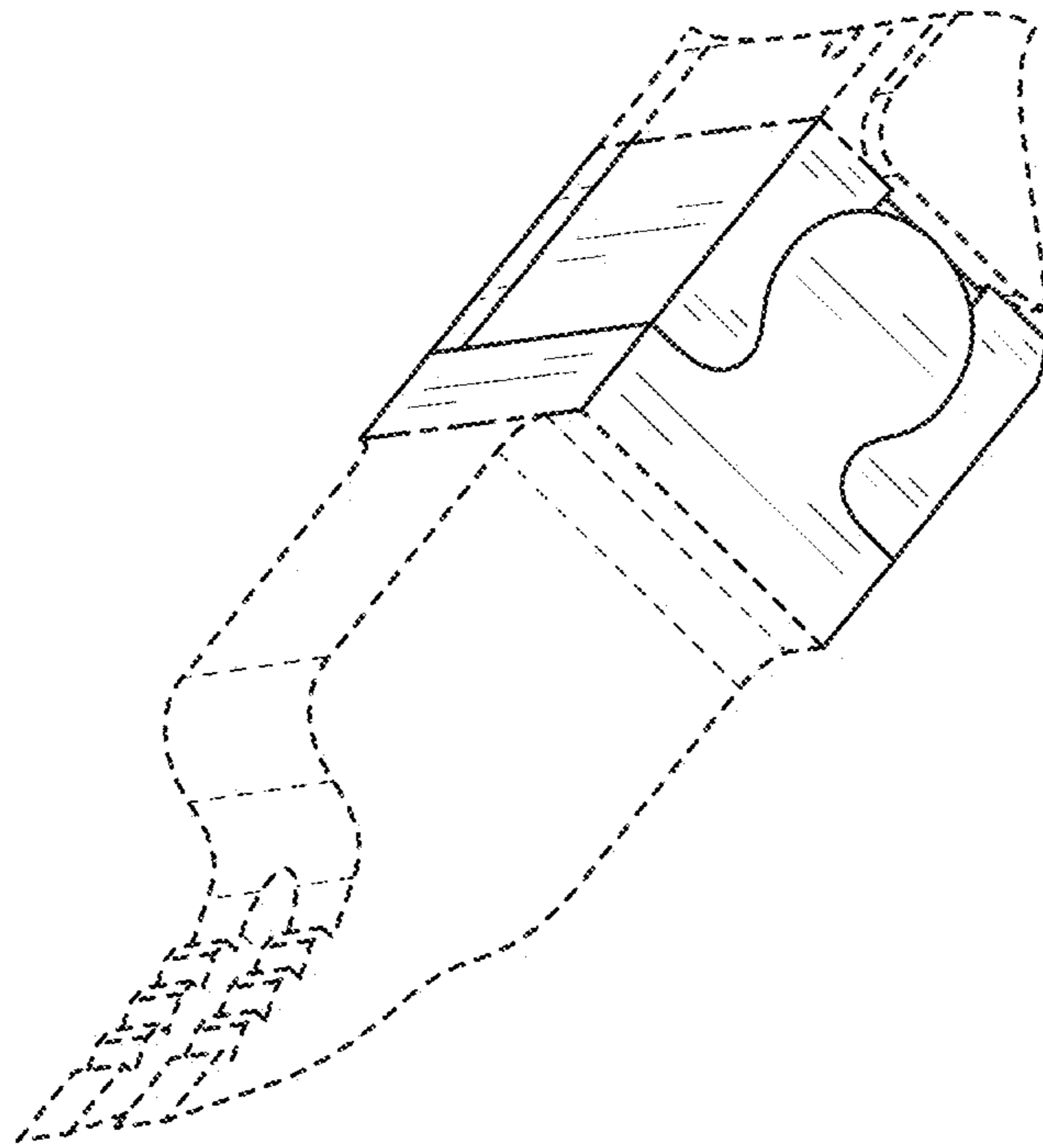


FIG. 2

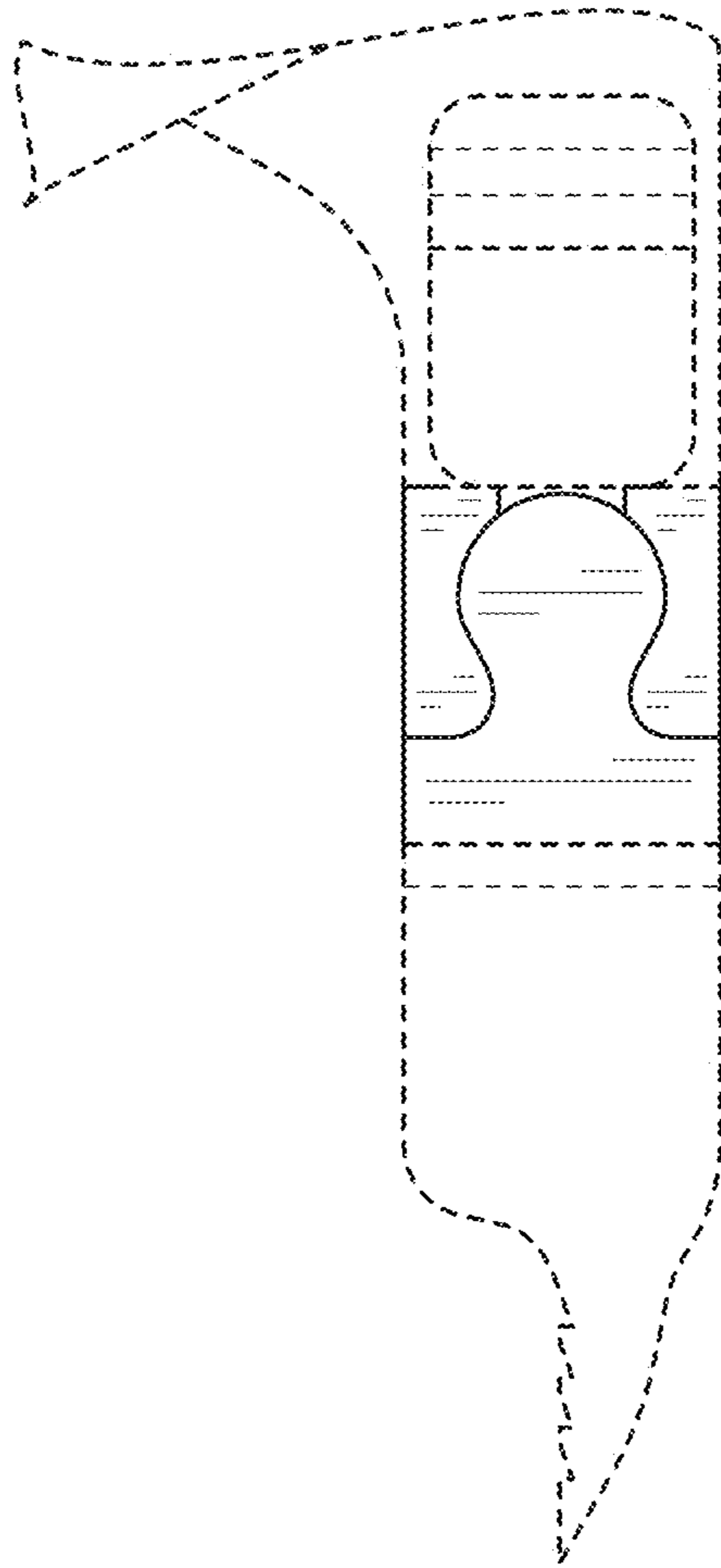


FIG. 3

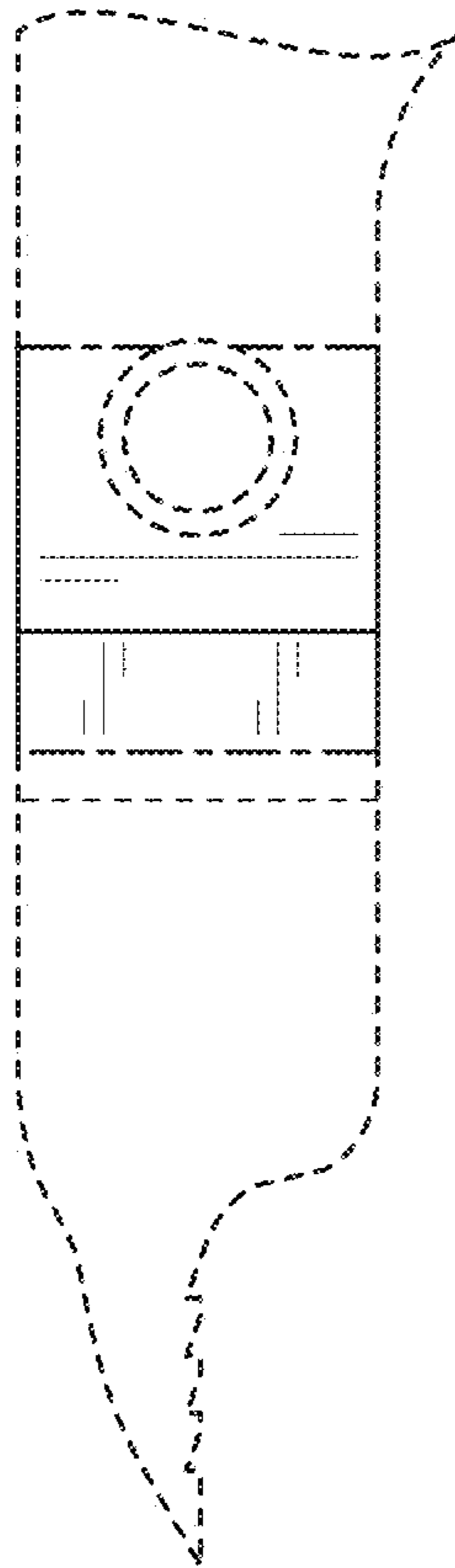


FIG. 4

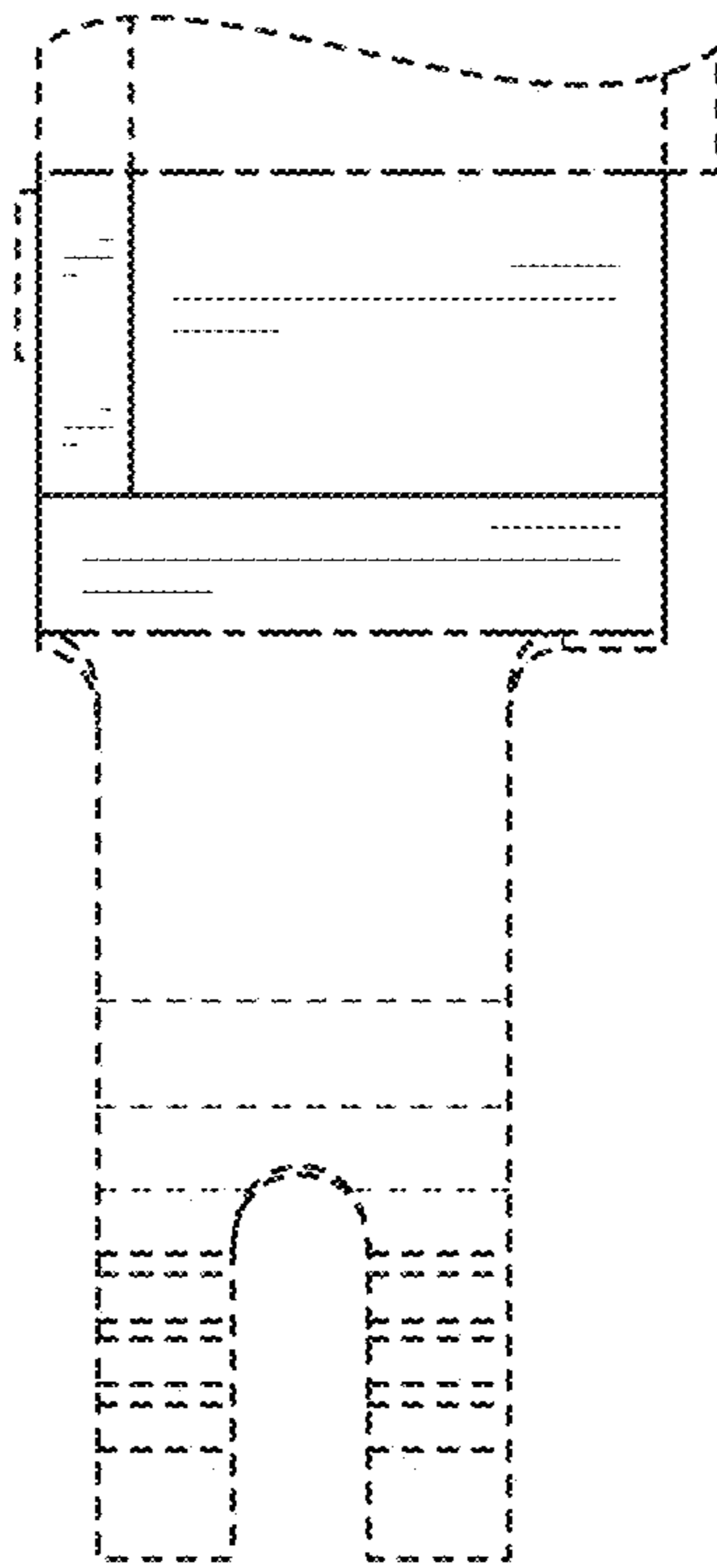


FIG. 5



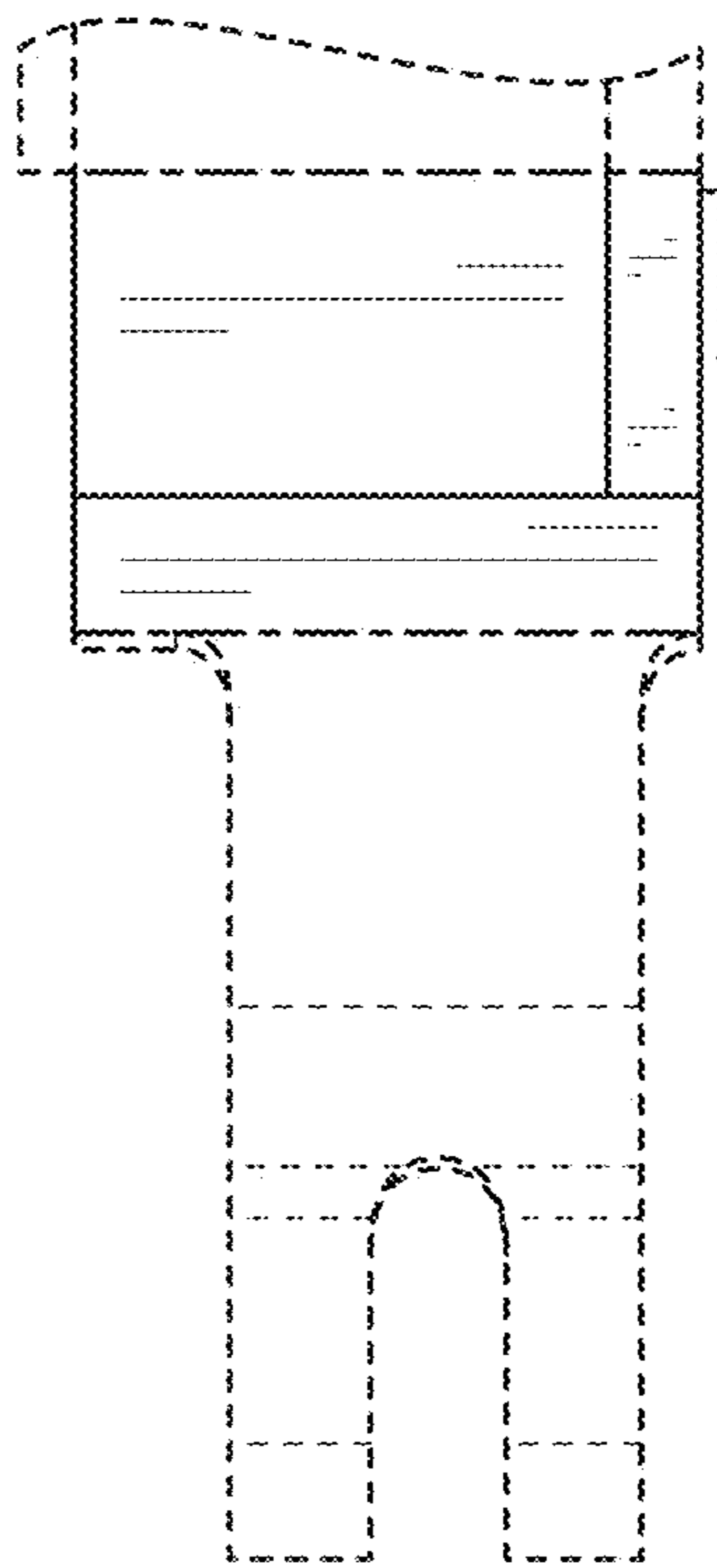


FIG. 6