



US00D933208S

(12) **United States Design Patent** (10) **Patent No.:** **US D933,208 S**
Wirth (45) **Date of Patent:** **** *Oct. 12, 2021**

(54) **SACROCOLPOPEXY MANIPULATOR**

- (71) Applicant: **KARL STORZ SE & Co. KG**, Tuttlingen (DE)
- (72) Inventor: **Franziska Wirth**, Tuttlingen (DE)
- (73) Assignee: **KARL STORZ SE & Co. KG**, Tuttlingen (DE)
- (*) Notice: This patent is subject to a terminal disclaimer.
- (**) Term: **15 Years**

(21) Appl. No.: **29/676,526**

(22) Filed: **Jan. 11, 2019**

(30) **Foreign Application Priority Data**

Jul. 11, 2018 (EM) 005499829-0003

(51) **LOC (13) Cl.** **24-02**

(52) **U.S. Cl.**
USPC **D24/133**

(58) **Field of Classification Search**
USPC D24/133, 137, 138, 141, 146, 149, 187;
606/205, 119
CPC A61B 17/4241; A61B 1/00066; A61B
1/00179; A61B 17/0401; A61B 17/7074;
A61B 17/320068; A61B 1/0011; A61B
1/00181; A61B 17/42
See application file for complete search history.

(56) **References Cited**

U.S. PATENT DOCUMENTS

- 9,445,806 B2 * 9/2016 Hart A61B 17/0401
- 9,763,563 B2 * 9/2017 Hoeg A61B 1/00181
- D819,812 S 6/2018 Schaer et al.
- D829,808 S 10/2018 Schaer et al.
- D829,898 S * 10/2018 Schaer D24/133
- 2017/0202578 A1 * 7/2017 Richey A61B 17/4241
- 2020/0000314 A1 * 1/2020 Larouche A61B 1/00066

OTHER PUBLICATIONS

Indiamart. Karlstorz schar manipulator, for Hospital (2020). Retrieved at <https://www.indiamart.com/proddetail/karlstorz-schar-manipulator-19295221855.html> on May 20, 2020. (Year: 2020).*
U.S. Appl. No. 29/580,972, filed Oct. 14, 2016, Schaer et al.

* cited by examiner

Primary Examiner — Manpreet S Matharu
Assistant Examiner — Yolanda Robinson
(74) *Attorney, Agent, or Firm* — Muncy, Geissler, Olds & Lowe, P.C.

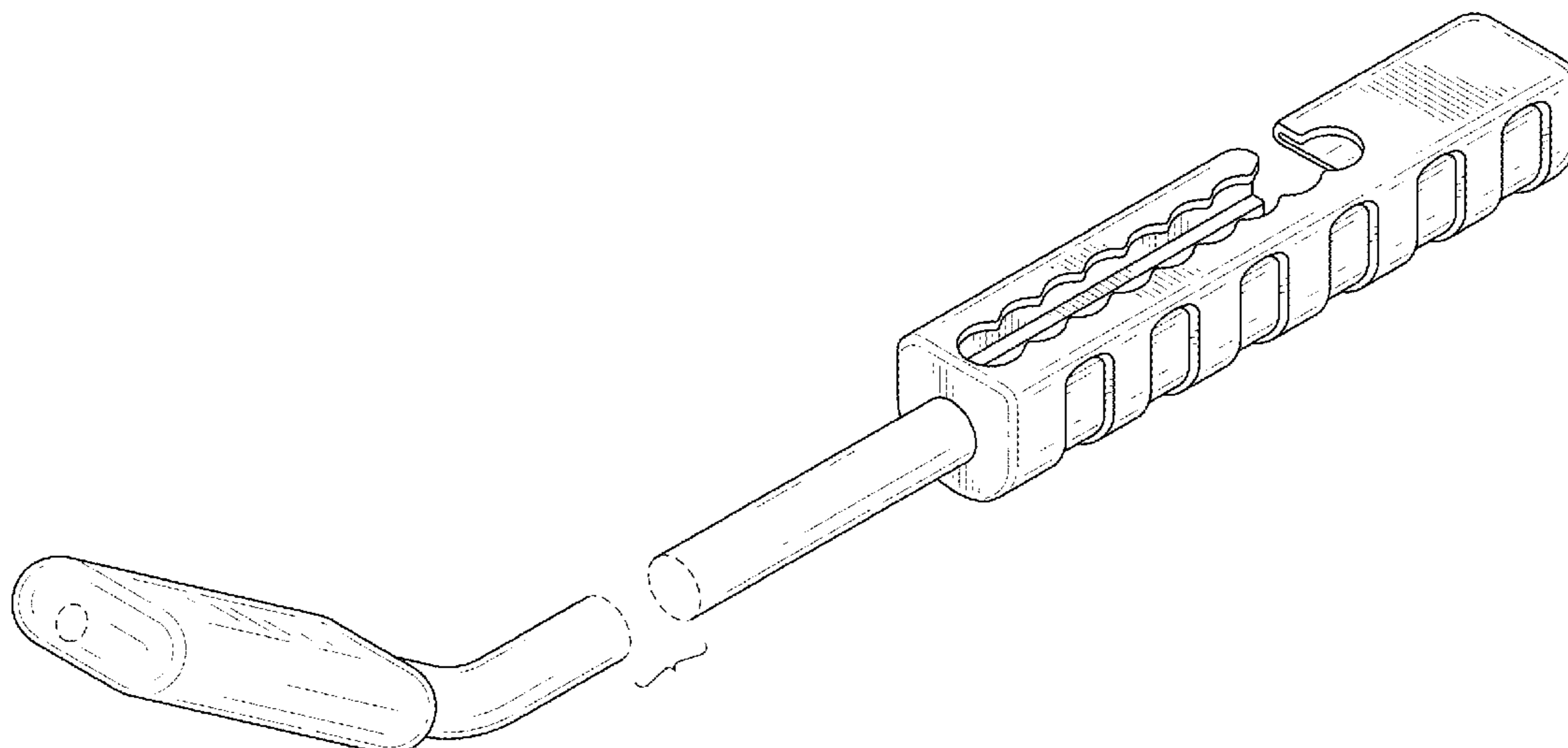
(57) **CLAIM**

The ornamental design for a sacrocolpopexy manipulator, as shown and described.

DESCRIPTION

FIG. 1 is a front perspective view of a sacrocolpopexy manipulator according to the present invention. FIG. 2 is a front view of the sacrocolpopexy manipulator of FIG. 1. FIG. 3 is a rear view of the sacrocolpopexy manipulator of FIG. 1. FIG. 4 is a left side view of the sacrocolpopexy manipulator of FIG. 1. FIG. 5 is a right side view of the sacrocolpopexy manipulator of FIG. 1. FIG. 6 is a top view of the sacrocolpopexy manipulator of FIG. 1; and, FIG. 7 is a bottom view of the sacrocolpopexy manipulator of FIG. 1. The broken lines illustrate portions of the sacrocolpopexy manipulator that form no part of the claimed design. The sacrocolpopexy manipulator is shown with symbolic breaks. The appearance of any portion of the article between the break lines form no part of the claimed design.

1 Claim, 7 Drawing Sheets



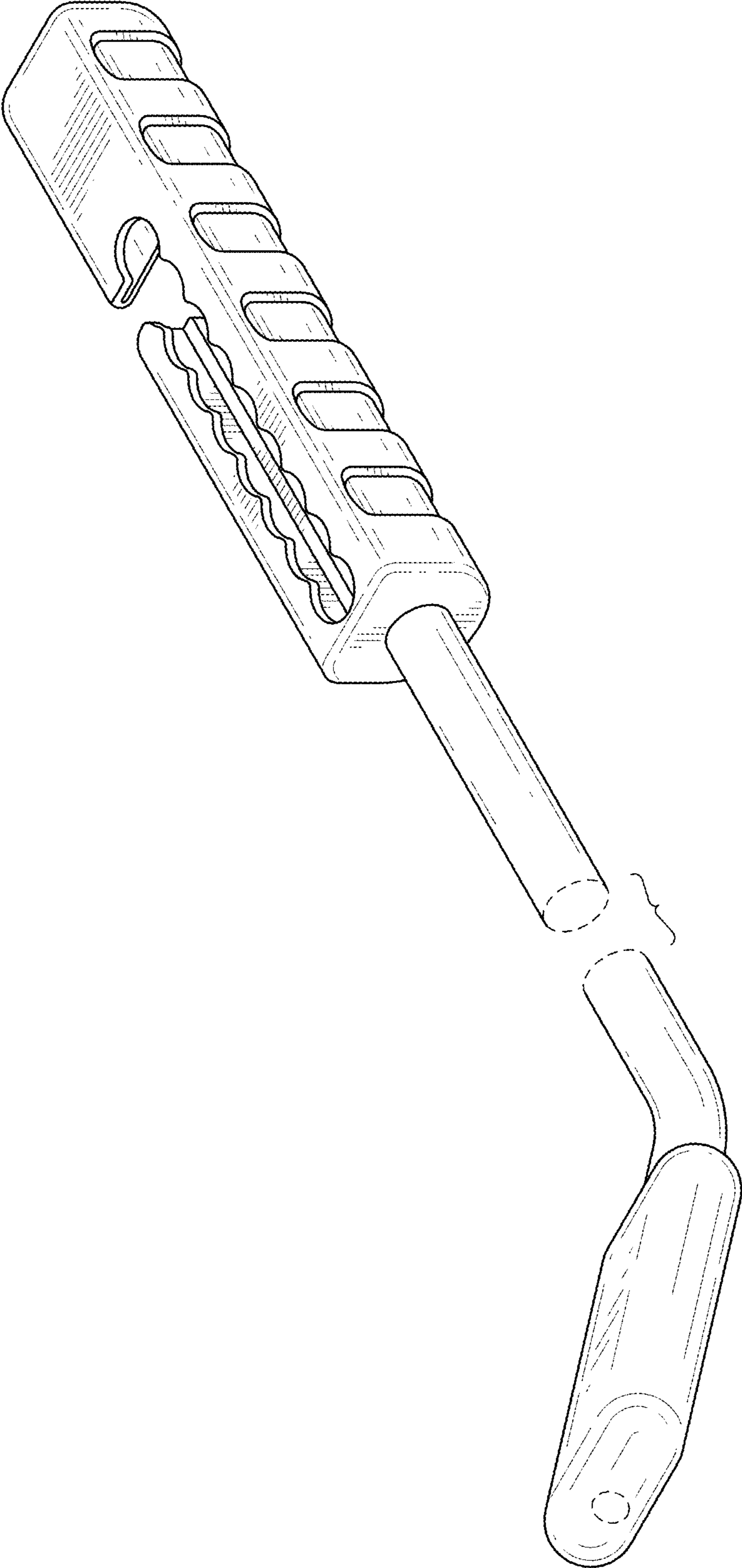


FIG.1

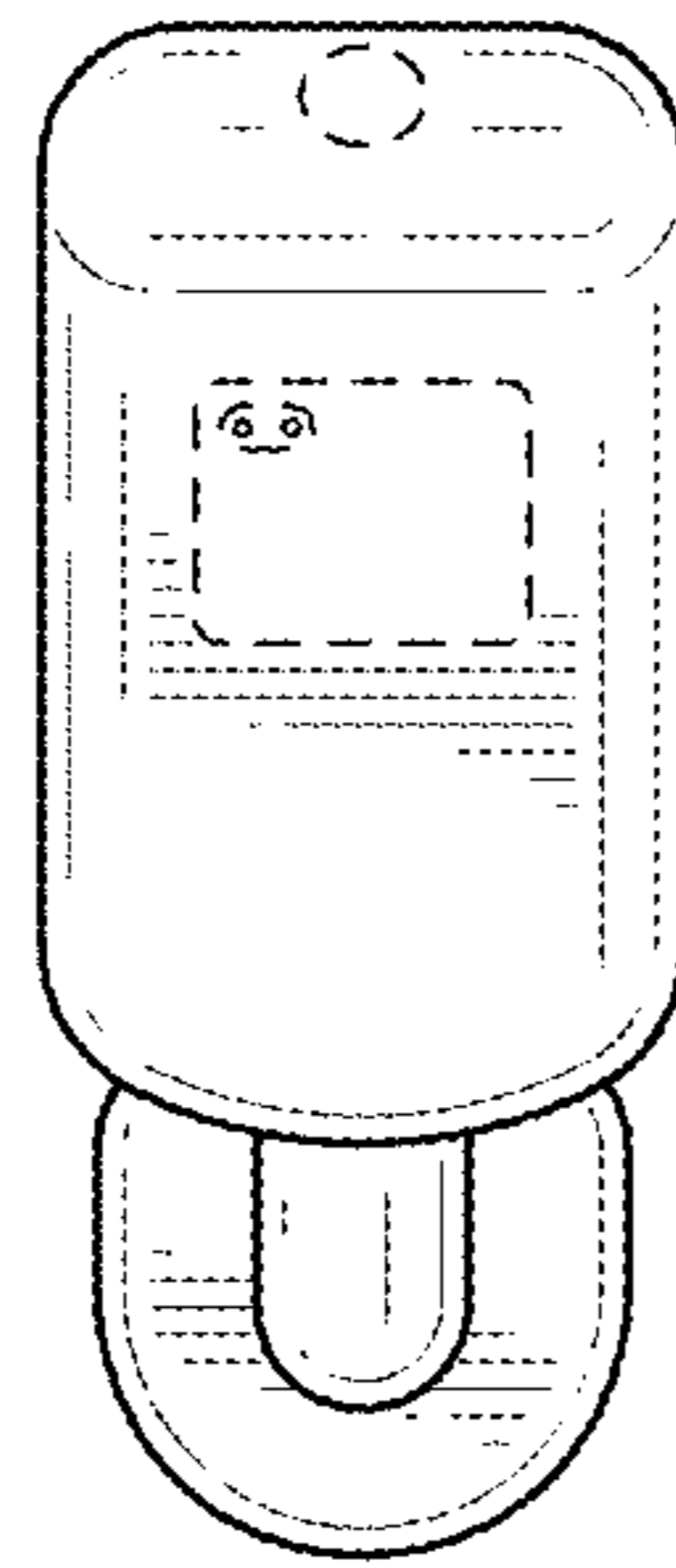


FIG.2

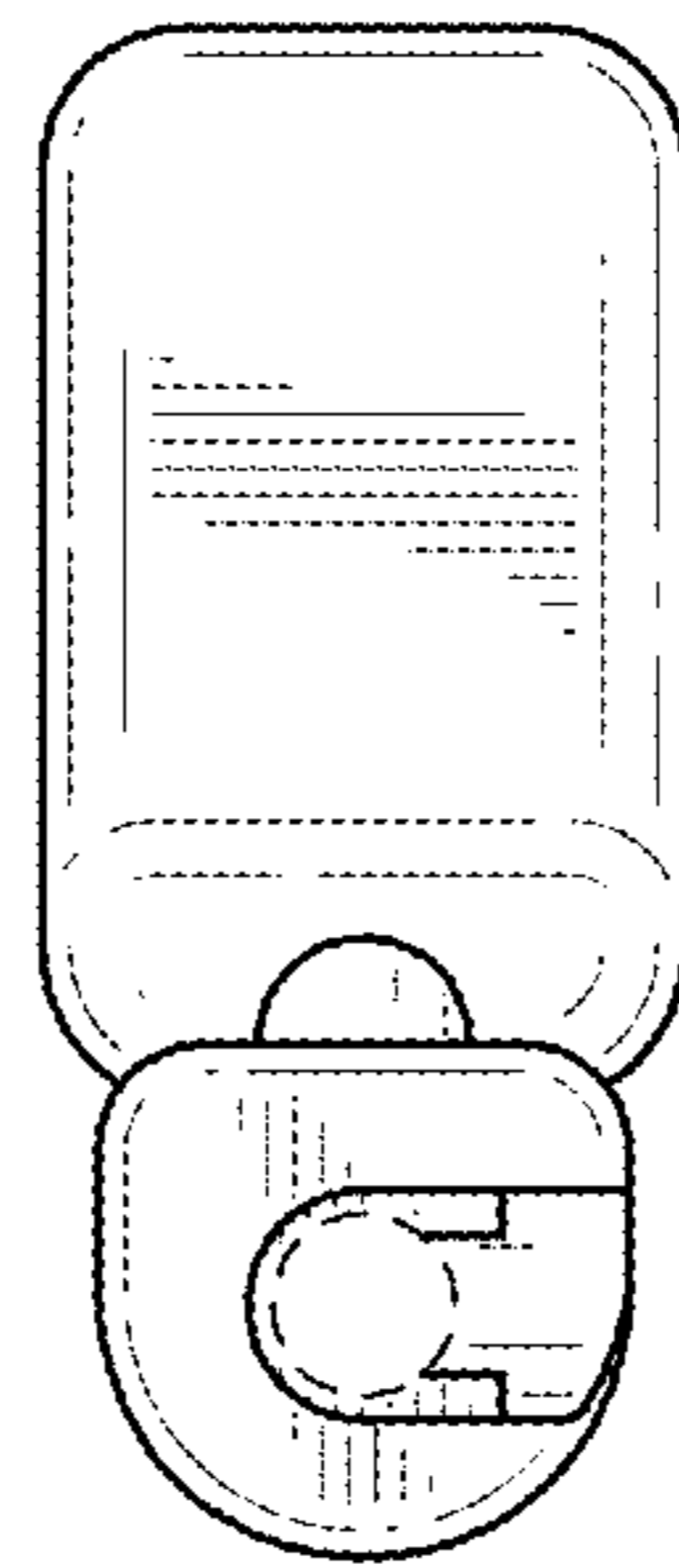


FIG.3

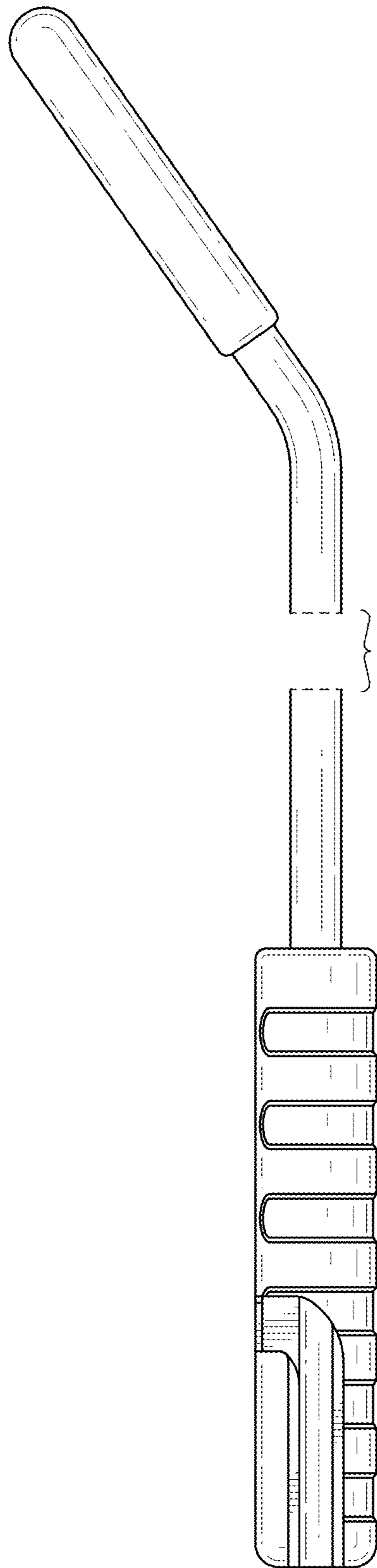


FIG.4

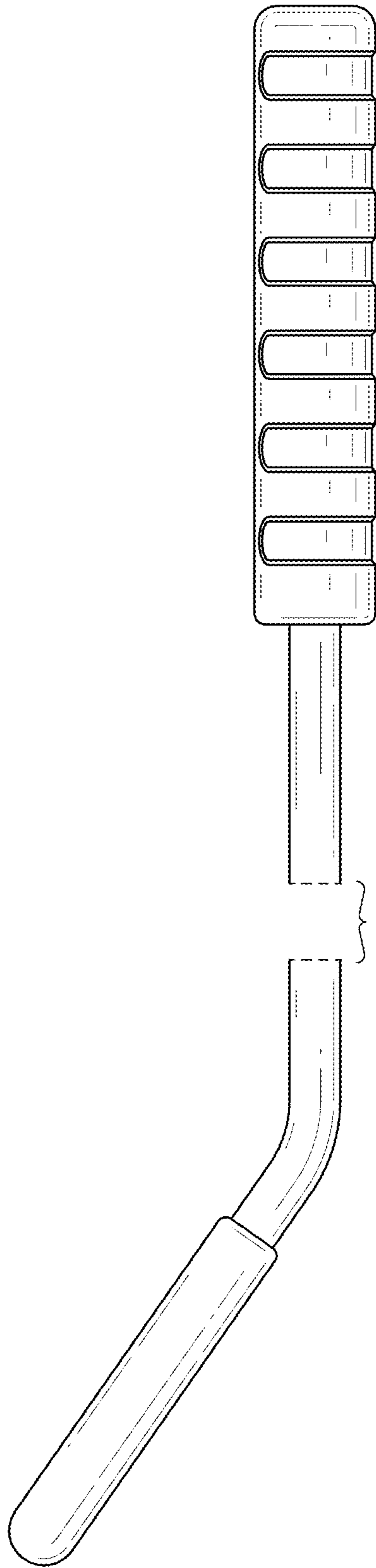


FIG.5

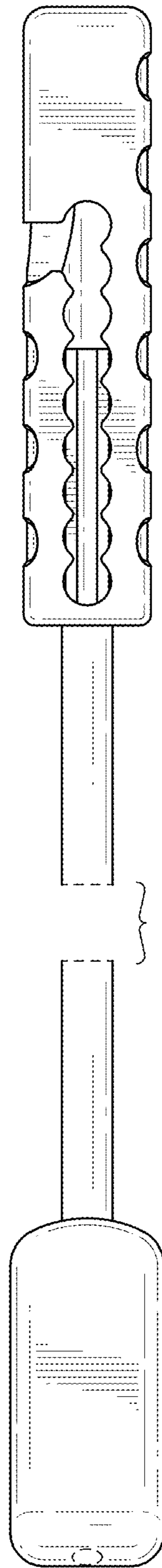


FIG.6

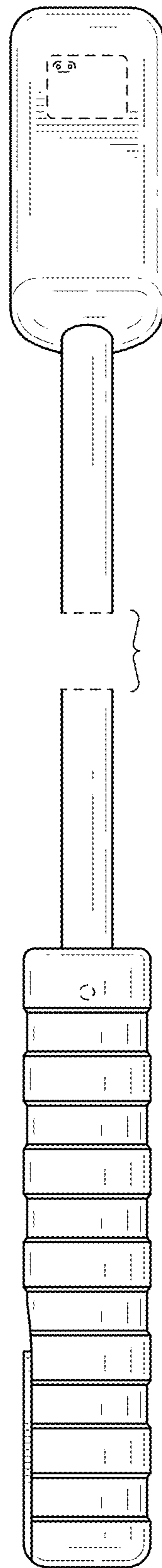


FIG. 7