



US00D933207S

(12) **United States Design Patent** (10) **Patent No.:** **US D933,207 S**  
**Wirth** (45) **Date of Patent:** **\*\* Oct. 12, 2021**

(54) **SACROCOLPOPEXY MANIPULATOR**

(57) **CLAIM**

(71) Applicant: **KARL STORZ SE & Co. KG**,  
Tuttlingen (DE)

The ornamental design for a sacrocolpopexy manipulator, as shown and described.

(72) Inventor: **Franziska Wirth**, Tuttlingen (DE)

(73) Assignee: **KARL STORZ SE & Co. KG**,  
Tuttlingen (DE)

**DESCRIPTION**

(\*\*) Term: **15 Years**

(21) Appl. No.: **29/676,524**

(22) Filed: **Jan. 11, 2019**

(30) **Foreign Application Priority Data**

Jul. 11, 2018 (EM) ..... 005499829-0001

Jul. 11, 2018 (EM) ..... 005499829-0002

(51) **LOC (13) Cl.** ..... **24-02**

(52) **U.S. Cl.**  
USPC ..... **D24/133**

(58) **Field of Classification Search**  
USPC ..... D24/133, 137, 138, 141, 146, 149, 187;  
606/205, 119

(Continued)

(56) **References Cited**

**U.S. PATENT DOCUMENTS**

9,445,806 B2 \* 9/2016 Hart ..... A61B 17/0401

9,763,563 B2 \* 9/2017 Hoeg ..... A61B 1/00181

(Continued)

**OTHER PUBLICATIONS**

U.S. Appl. No. 29/580,972, filed Oct. 14, 2016, Schaer et al..

*Primary Examiner* — Manpreet S Matharu

*Assistant Examiner* — Yolanda Robinson

(74) *Attorney, Agent, or Firm* — Muncy, Geissler, Olds & Lowe, P.C.

FIG. 1 is a front perspective view of a sacrocolpopexy manipulator according to the present invention.

FIG. 2 is a front view of the sacrocolpopexy manipulator of FIG. 1.

FIG. 3 is a rear view of the sacrocolpopexy manipulator of FIG. 1.

FIG. 4 is a left side view of the sacrocolpopexy manipulator of FIG. 1.

FIG. 5 is a right side view of the sacrocolpopexy manipulator of FIG. 1.

FIG. 6 is a top view of the sacrocolpopexy manipulator of FIG. 1.

FIG. 7 is a bottom view of the sacrocolpopexy manipulator of FIG. 1.

FIG. 8 is a rear perspective view of a sacrocolpopexy manipulator in a retracted position according to the present invention

FIG. 9 is a front view of the sacrocolpopexy manipulator of FIG. 8.

FIG. 10 is a rear view of the sacrocolpopexy manipulator of FIG. 8.

FIG. 11 is a left side view of the sacrocolpopexy manipulator of FIG. 8.

FIG. 12 is a right side view of the sacrocolpopexy manipulator of FIG. 8.

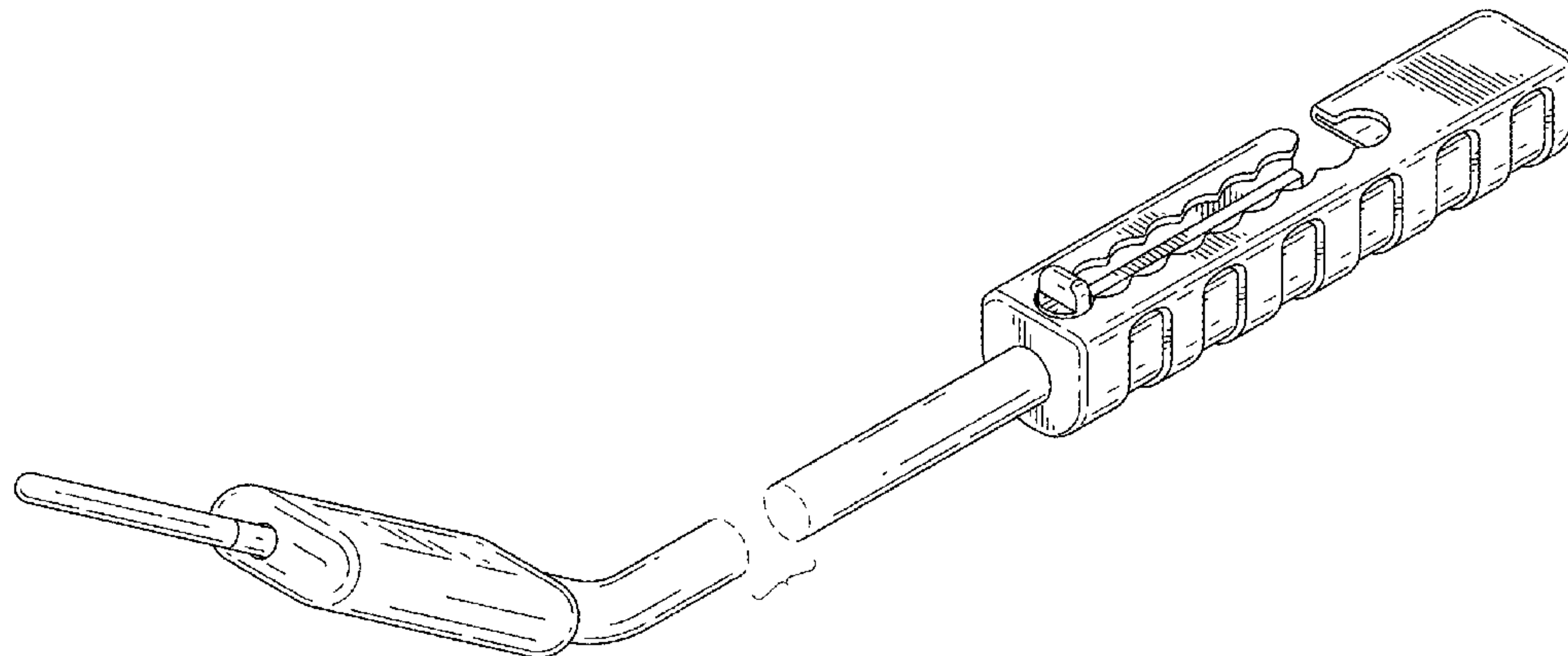
FIG. 13 is a top view of the sacrocolpopexy manipulator of FIG. 8; and,

FIG. 14 is a bottom view of the sacrocolpopexy manipulator of FIG. 8.

The broken lines illustrate portions of the sacrocolpopexy manipulator that form no part of the claimed design.

The sacrocolpopexy manipulator is shown with symbolic breaks. The appearance of any portion of the article between the break lines form no part of the claimed design.

**1 Claim, 14 Drawing Sheets**



(58) **Field of Classification Search**

CPC ..... A47B 17/4241; A61B 1/00066; A61B  
1/00179; A61B 17/0401; A61B 17/7074;  
A61B 17/320068; A61B 1/0011; A61B  
1/00181; A61B 17/42

See application file for complete search history.

(56) **References Cited**

U.S. PATENT DOCUMENTS

D819,812	S	6/2018	Schaer et al.	
D829,808	S	10/2018	Schaer et al.	
D829,898	S *	10/2018	Schaer .....	D24/133
2017/0202578	A1 *	7/2017	Richey .....	A61B 17/4241
2020/0000314	A1 *	1/2020	Larouche .....	A61B 1/00066

\* cited by examiner

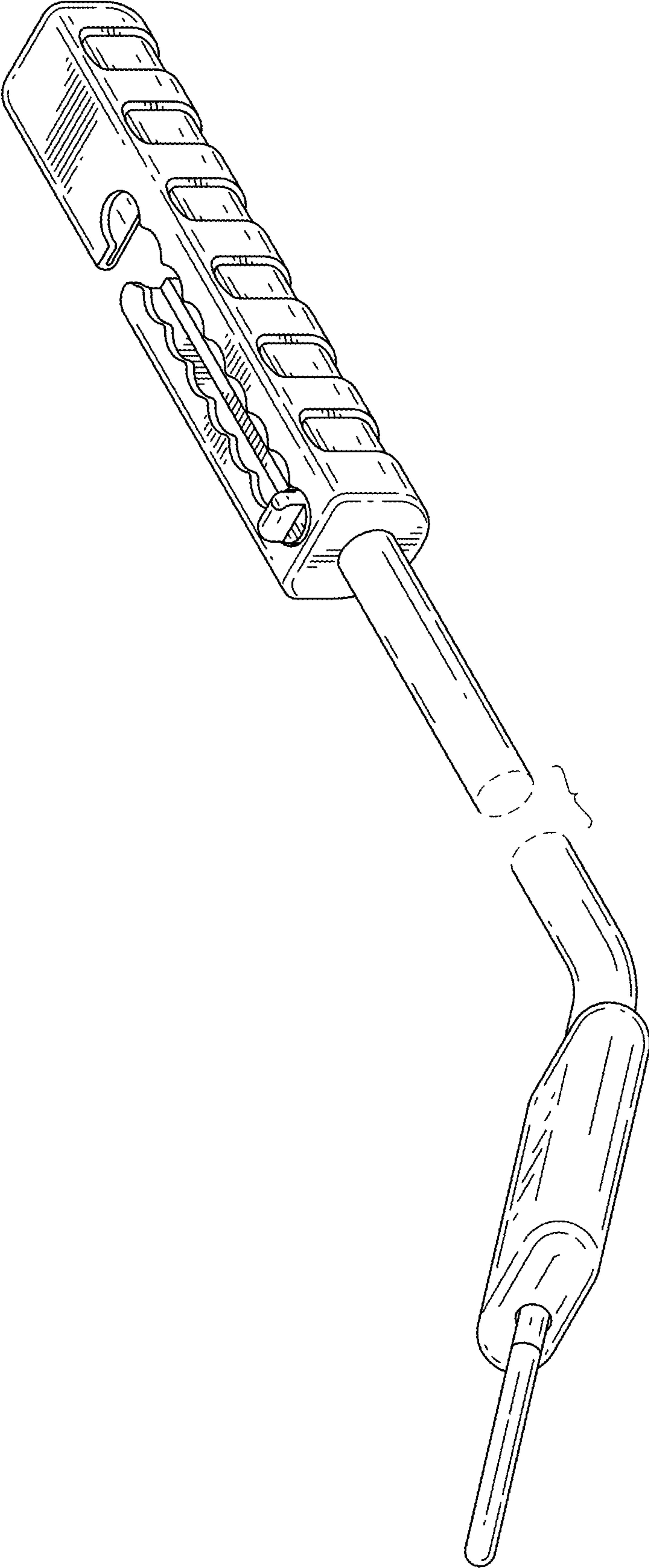


FIG.1

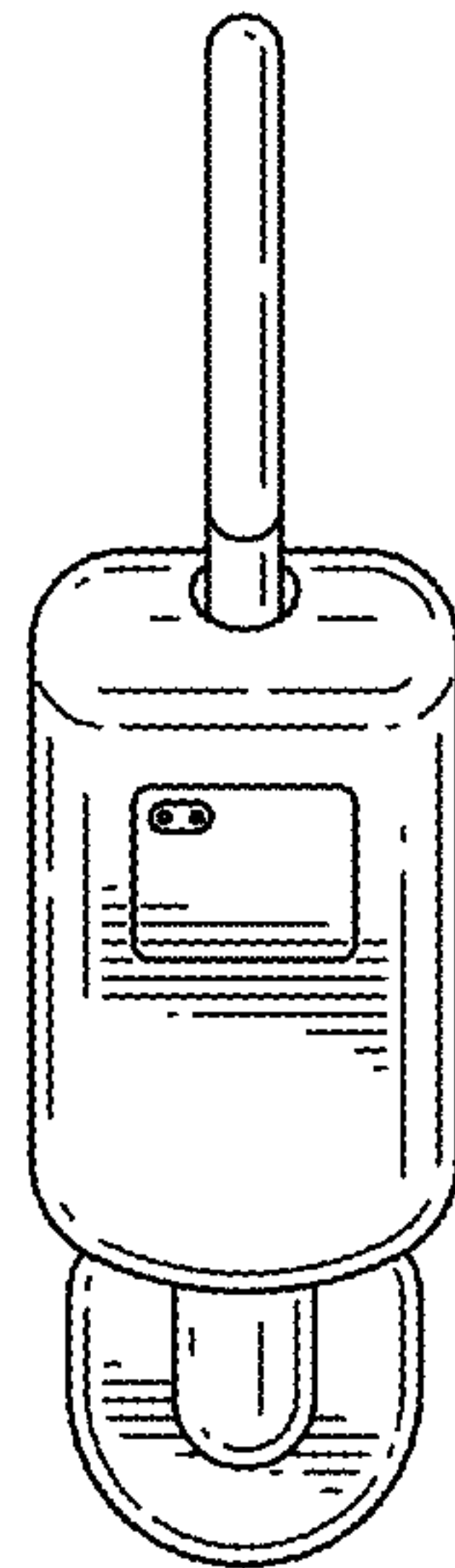


FIG.2

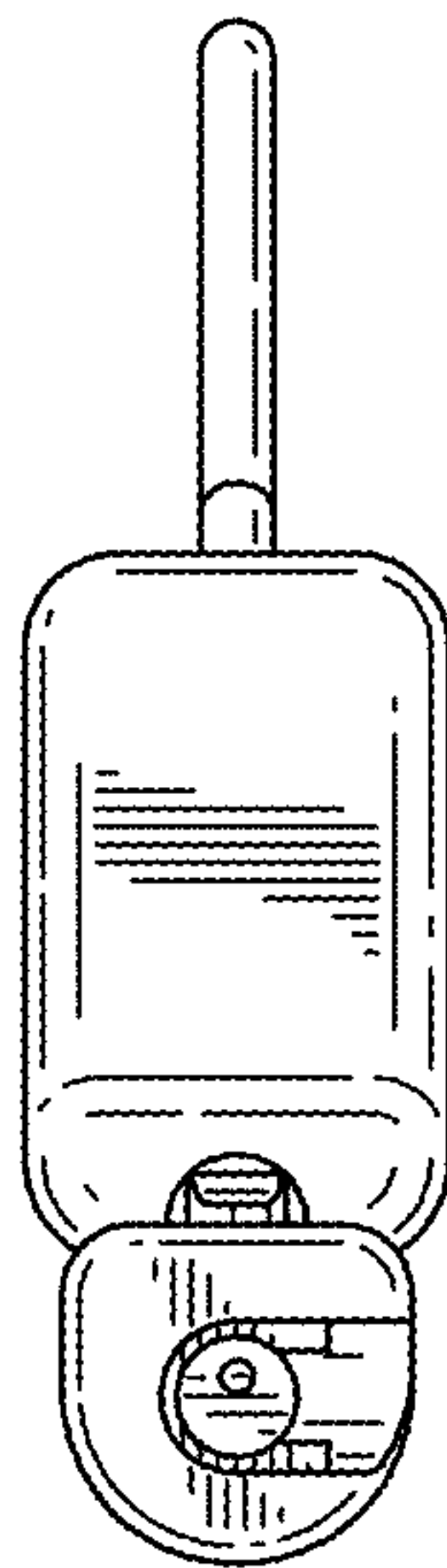


FIG.3

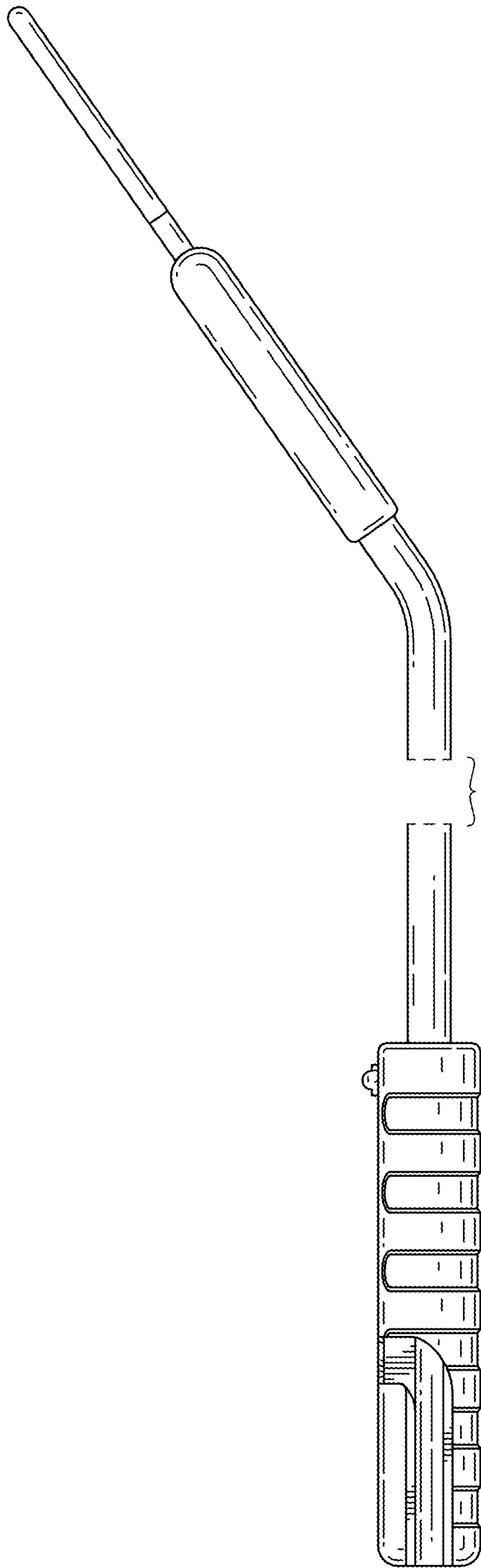


FIG.4

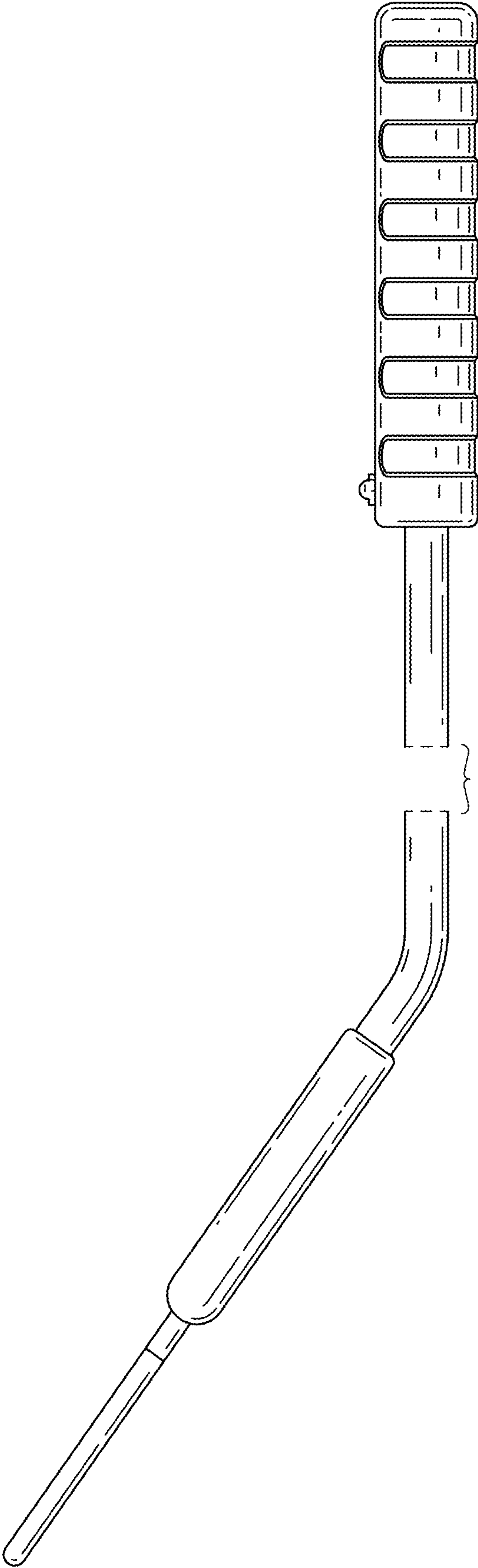


FIG.5

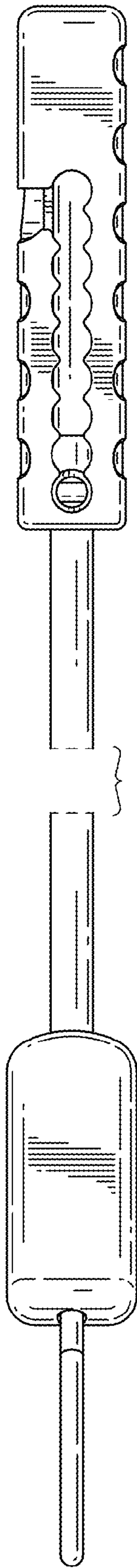


FIG.6



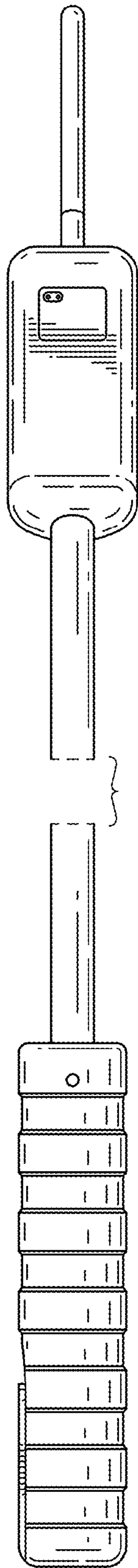


FIG.7

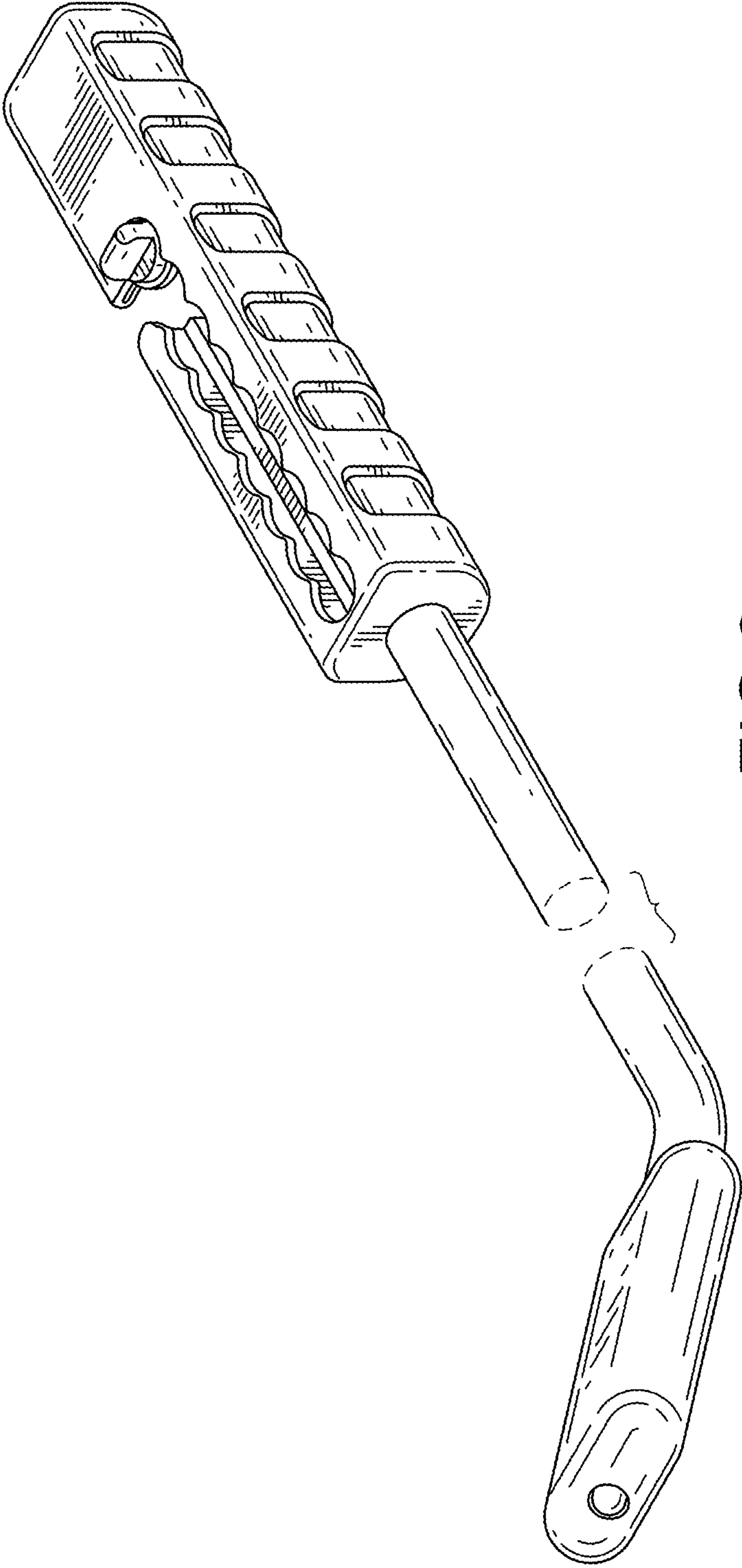


FIG. 8

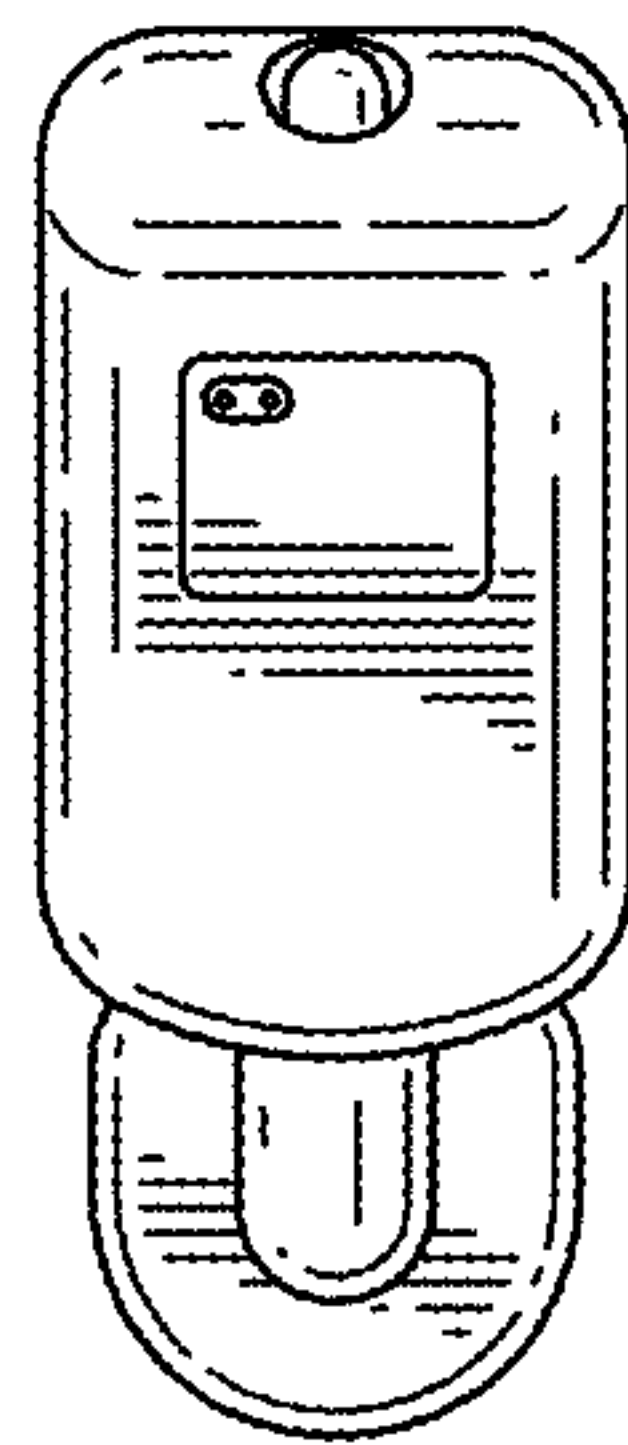


FIG.9

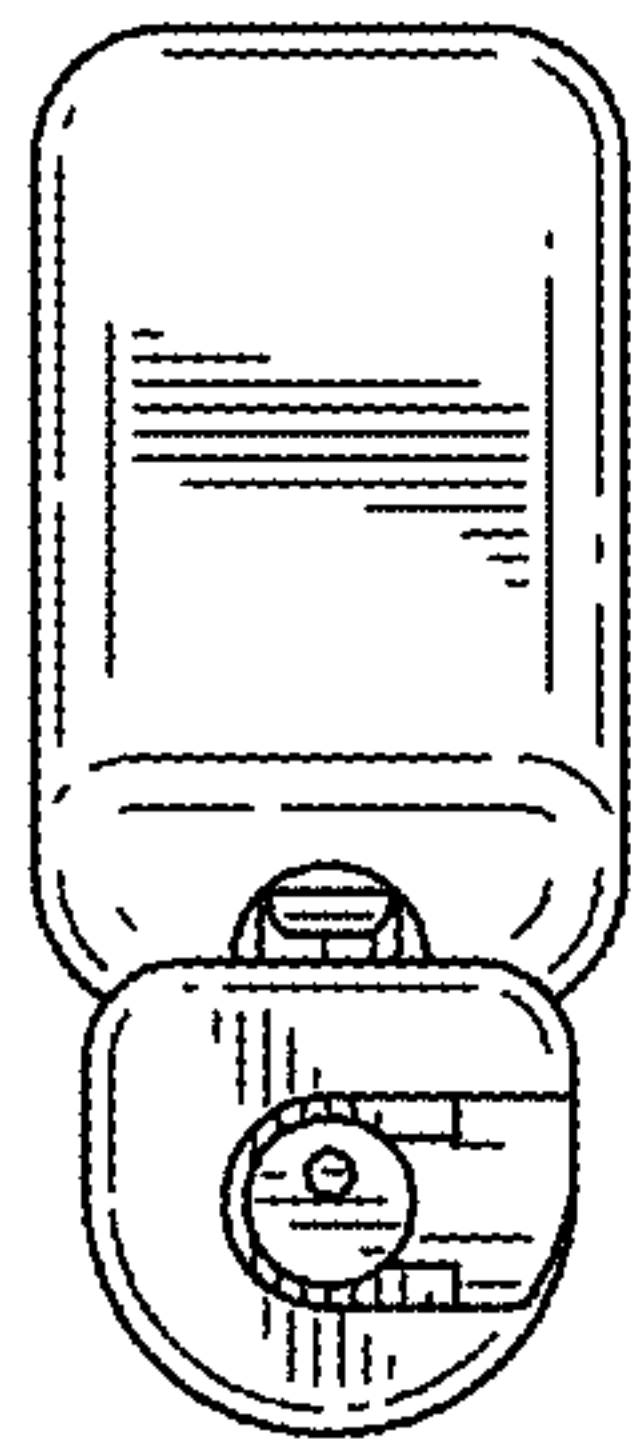


FIG.10

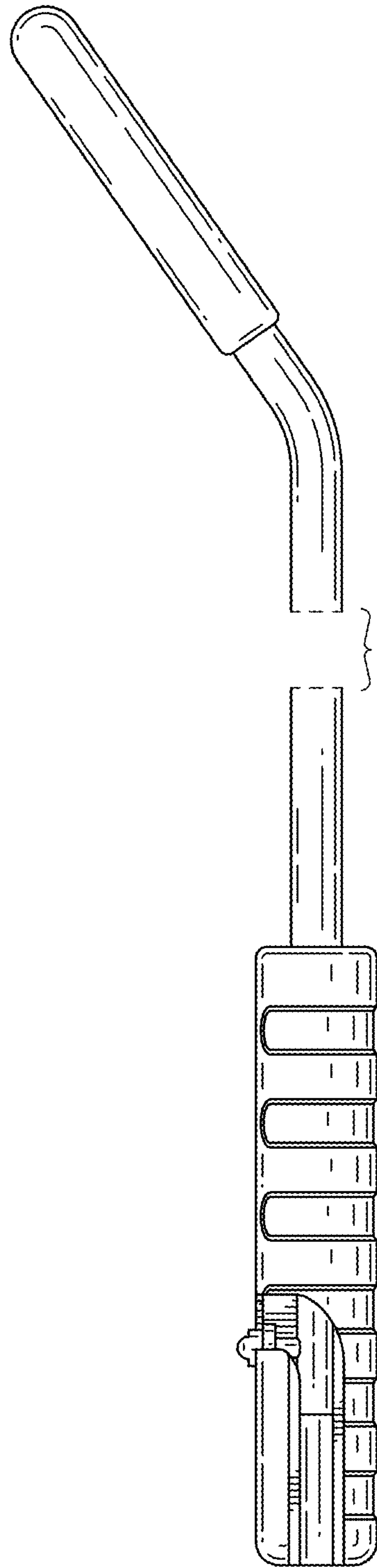


FIG.11

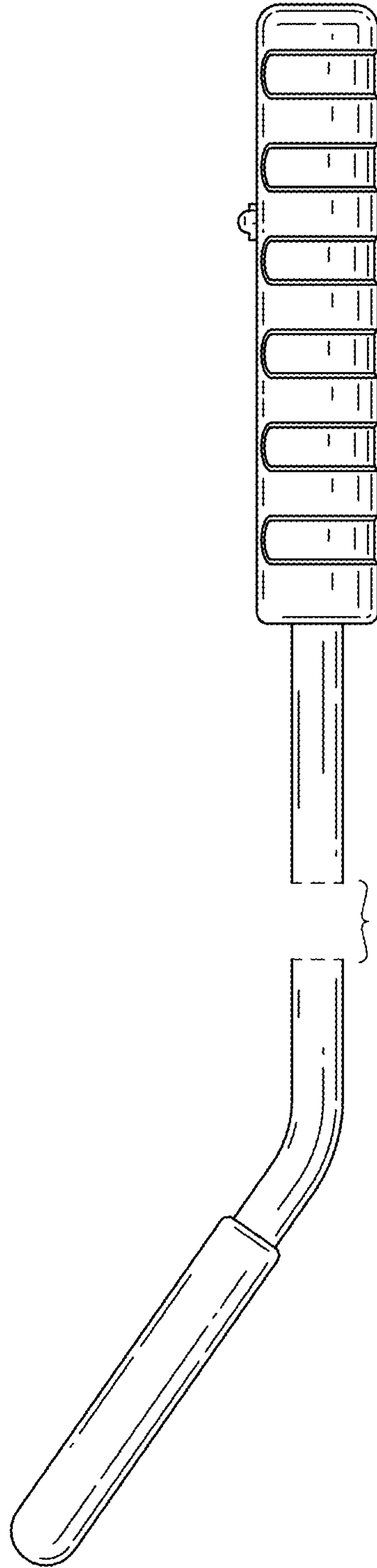


FIG.12

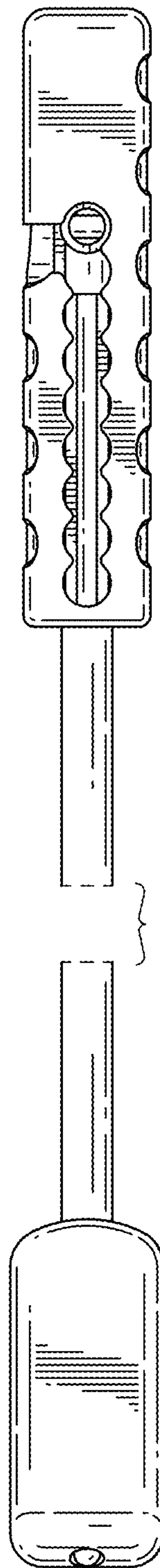


FIG. 13

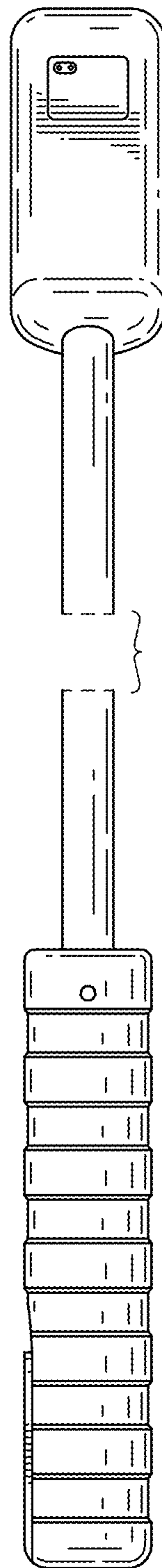


FIG.14