



US00D933206S

(12) **United States Design Patent** (10) **Patent No.:** **US D933,206 S**
Lucio (45) **Date of Patent:** **** Oct. 12, 2021**

(54) **NASAL FITTING**
(71) Applicant: **3B Medical, Inc.**, Winter Haven, FL (US)
(72) Inventor: **Albert A. Lucio**, Haines City, FL (US)
(73) Assignee: **3B Medical, Inc.**, Winter Haven, FL (US)
(**) Term: **15 Years**

D878,549 S * 3/2020 Wilson D24/112
D893,013 S * 8/2020 Higgins D24/110.4
D893,015 S * 8/2020 Wilson D24/110.4
D898,899 S * 10/2020 Rummery D24/110.4
10,821,252 B2 * 11/2020 Chodkowski A61M 16/0616
D911,515 S * 2/2021 Koschany D24/110.5
D916,276 S * 4/2021 Wilson D24/112
10,987,480 B1 * 4/2021 Lucio A61M 16/0677
2003/0111081 A1 6/2003 Gupta
2007/0107737 A1 * 5/2007 Landis A61M 16/0003
128/207.18
2011/0073116 A1 * 3/2011 Genger A61M 16/0672
128/207.18

(21) Appl. No.: **29/726,571**
(22) Filed: **Mar. 4, 2020**
(51) **LOC (13) Cl.** **24-02**
(52) **U.S. Cl.**
USPC **D24/130**; D24/110.5; D24/110.4
(58) **Field of Classification Search**
USPC D24/110, 110.4, 110.5, 112, 127, 129
CPC A61M 2210/0618; A61M 15/08; A61M 16/00; A61M 16/0666; A61M 16/0672; A61M 16/0677
See application file for complete search history.

(56) **References Cited**

U.S. PATENT DOCUMENTS

3,682,171 A 8/1972 Dali et al.
4,273,124 A 6/1981 Zimmerman
7,007,694 B2 3/2006 Aylsworth et al.
D549,323 S * 8/2007 Kwok D24/110.5
7,383,839 B2 6/2008 Porat et al.
D612,934 S * 3/2010 Prentice D24/110.1
D626,646 S * 11/2010 Lubke D24/110.1
D627,059 S * 11/2010 Wood D24/110.5
8,684,005 B2 4/2014 Jablons
D745,141 S * 12/2015 Hung A61M 16/0683
D24/110.5
D757,930 S * 5/2016 Baecke D24/110.1
9,393,375 B2 * 7/2016 Hernandez A61M 16/0616
D825,053 S * 8/2018 Ronayne D24/110.5
D865,943 S * 11/2019 Wilson D24/110.4

OTHER PUBLICATIONS

Rio Replacement Nasal Pillow Cushion By 3B Medical, 1800cpap.com,[Post date unknown], [Site visited Aug. 20, 2021], Seen at URL: https://www.1800cpap.com/rio-replacement-nasal-pillow-cushion-by-3b-medical?quantity=1&size=Large&gclid=EAlalQobChMI-9LC4um_8glVi4rlCh0a%2525E2%252580%2525A6 (Year: 2021).*

(Continued)

Primary Examiner — Natasha Vujcic
Assistant Examiner — Gilbert B Ford
(74) *Attorney, Agent, or Firm* — Carlson, Gaskey & Olds, P.C.

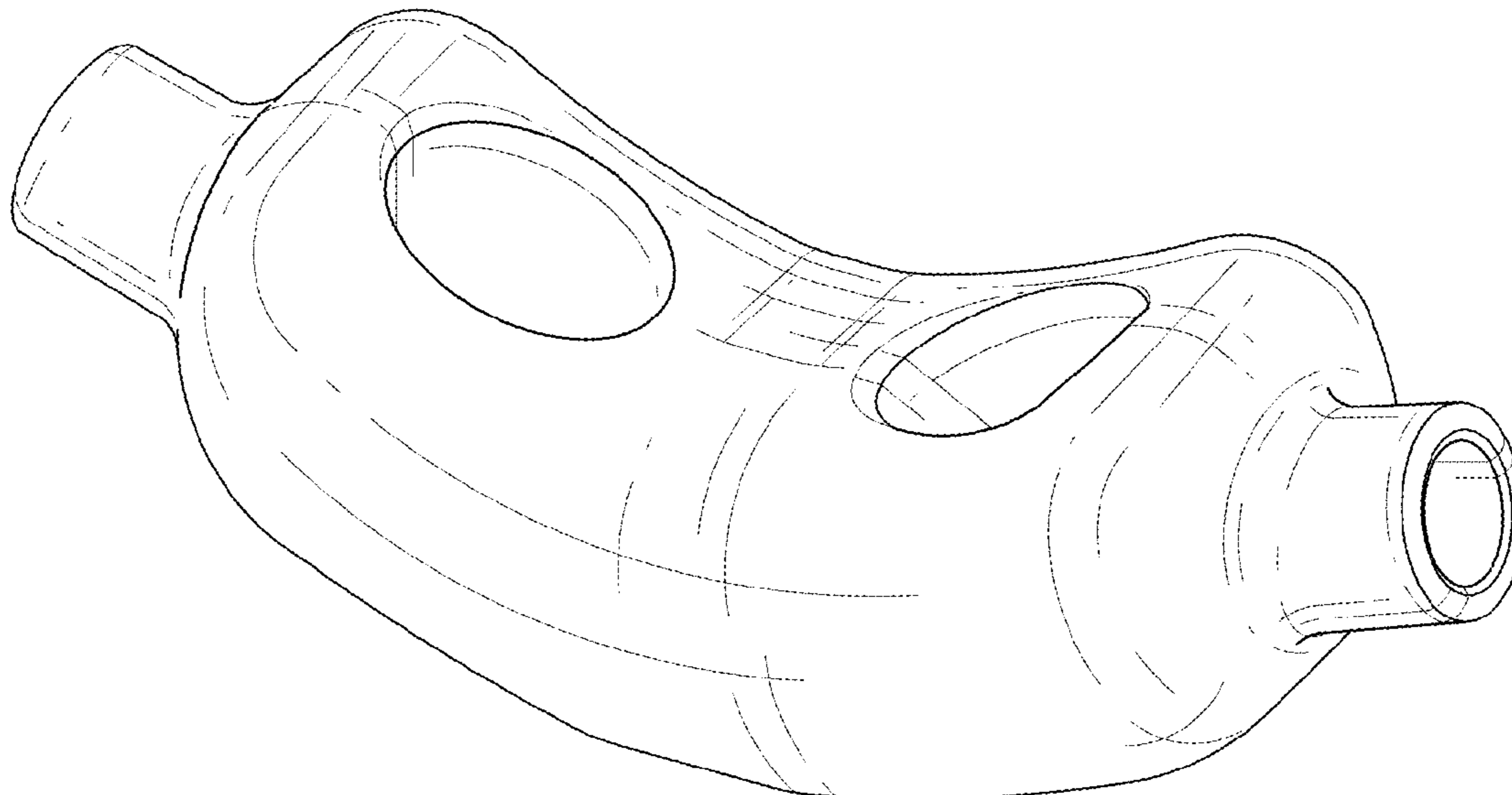
(57) **CLAIM**

I claim the ornamental design of a nasal fitting, as shown and described.

DESCRIPTION

FIG. 1 is a front-perspective view of a nasal fitting.
FIG. 2 is a left side view the fitting of FIG. 1.
FIG. 3 is a rear view of the fitting of FIG. 1.
FIG. 4 is a front view of the fitting of FIG. 1.
FIG. 5 is a top view of the fitting of FIG. 1; and,
FIG. 6 is a bottom view of the fitting of FIG. 1.

1 Claim, 3 Drawing Sheets



(56)

References Cited

OTHER PUBLICATIONS

3B Mask line up, 3B Medical, Youtube, [Posted on Mar. 26, 2019],
[Site visited Aug. 20, 2021], Seen at URL: <https://www.youtube.com/watch?v=pf-rGz6o2WQ> (Year: 2019).*

* cited by examiner

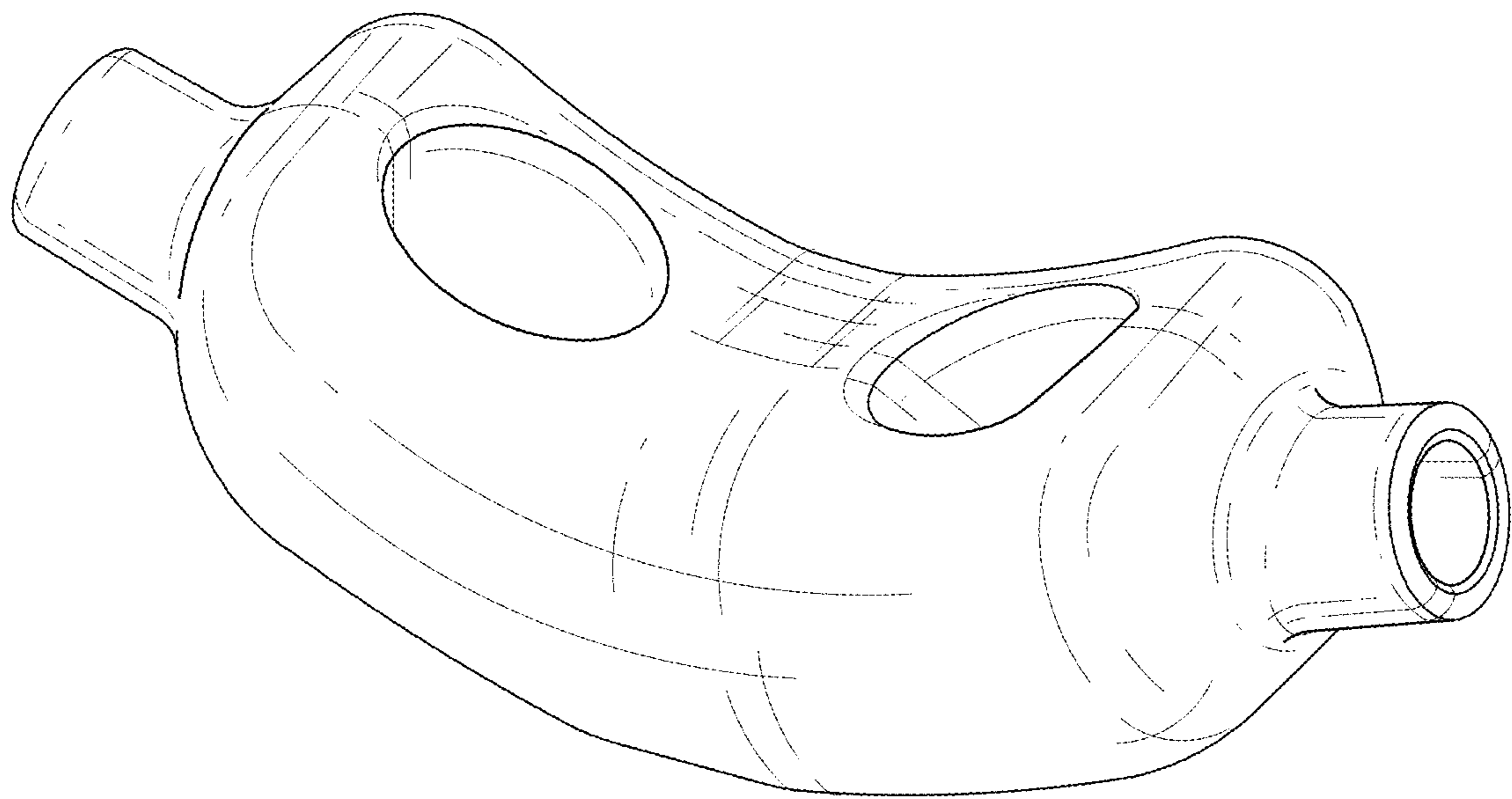


Fig-1

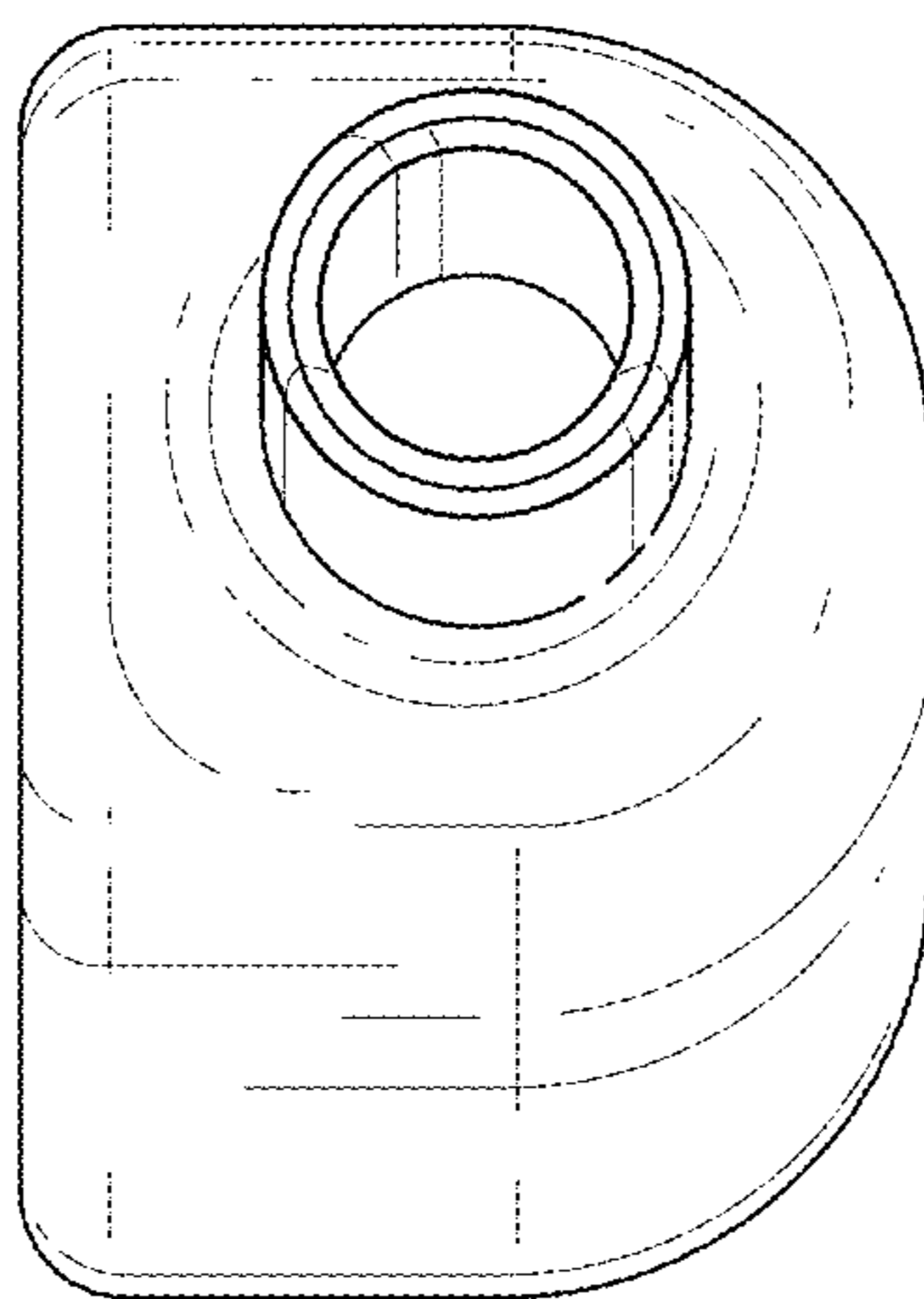


Fig-2

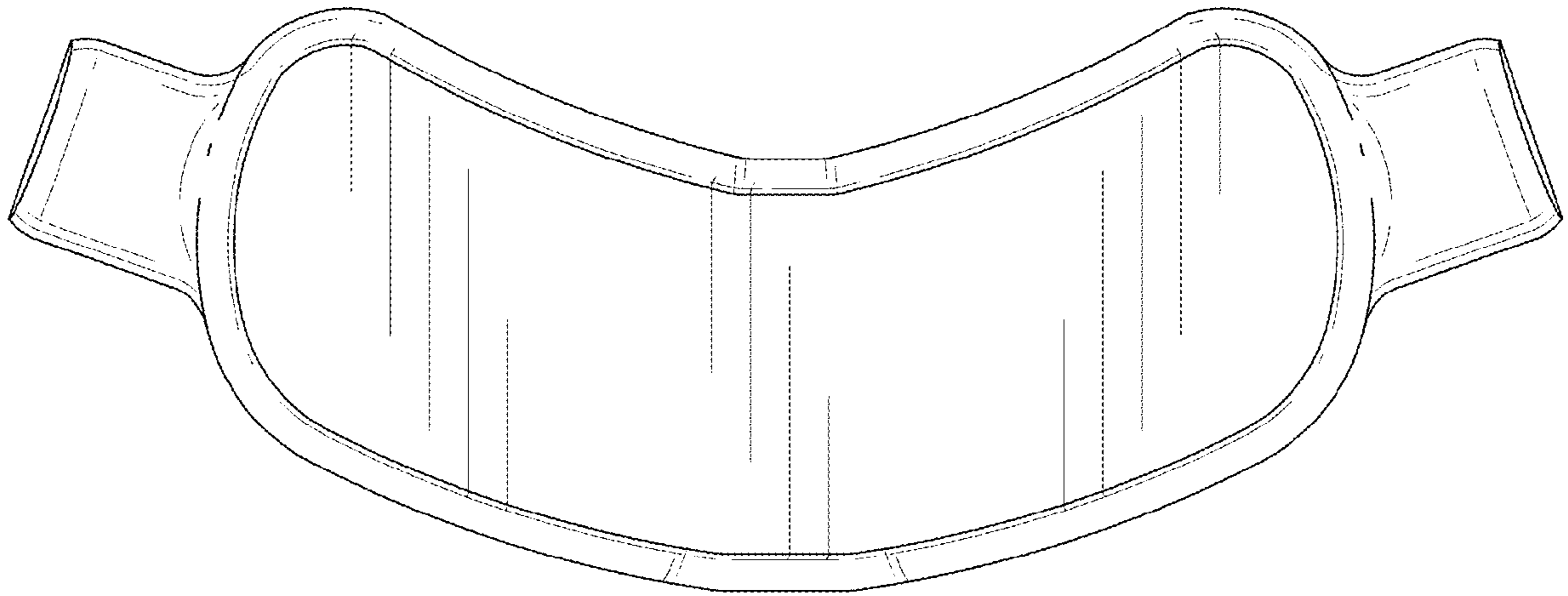


Fig-3

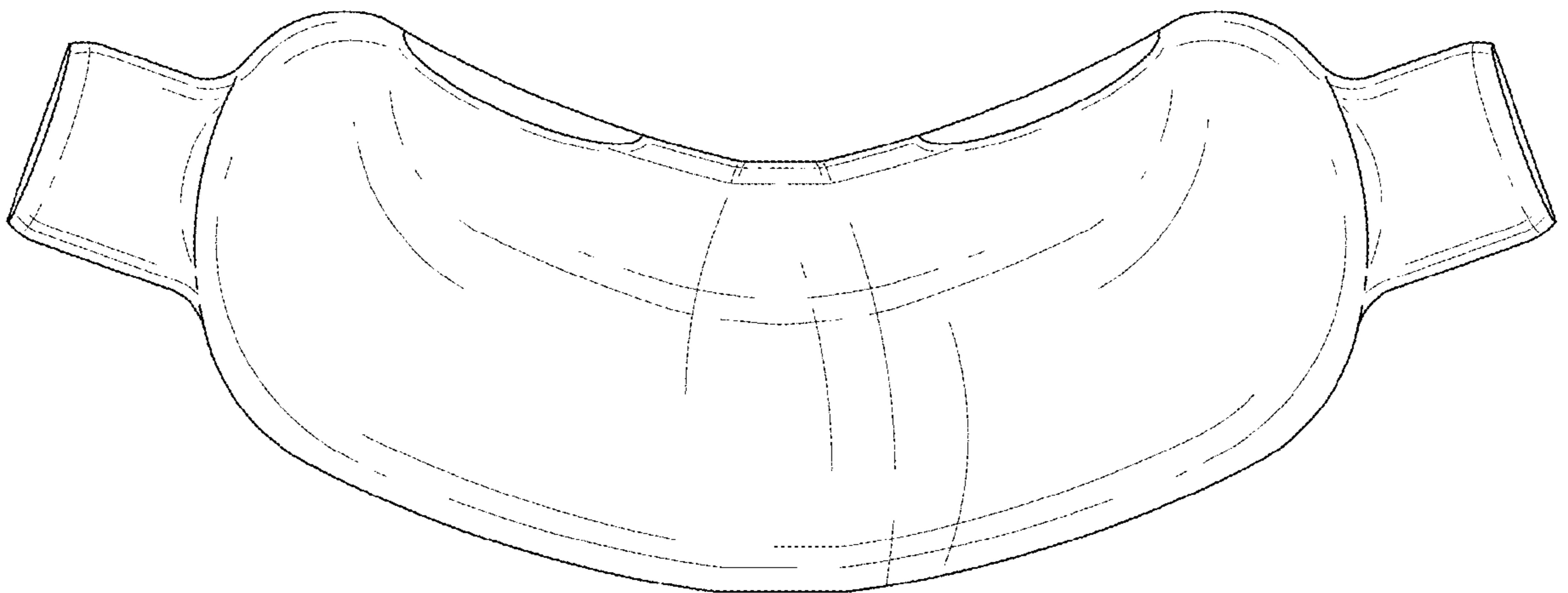


Fig-4

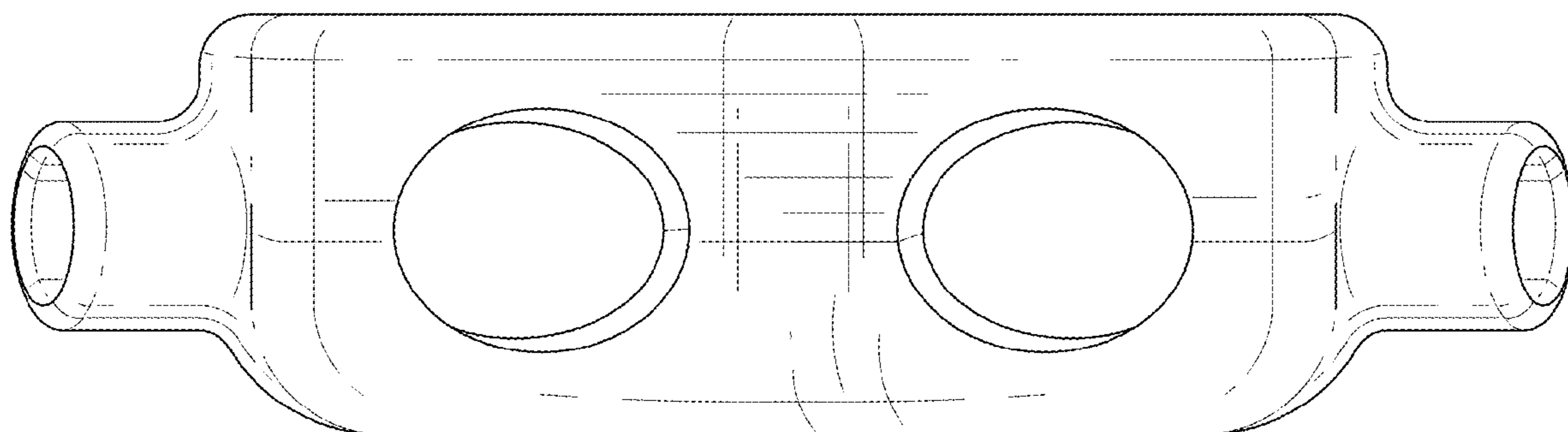


Fig-5

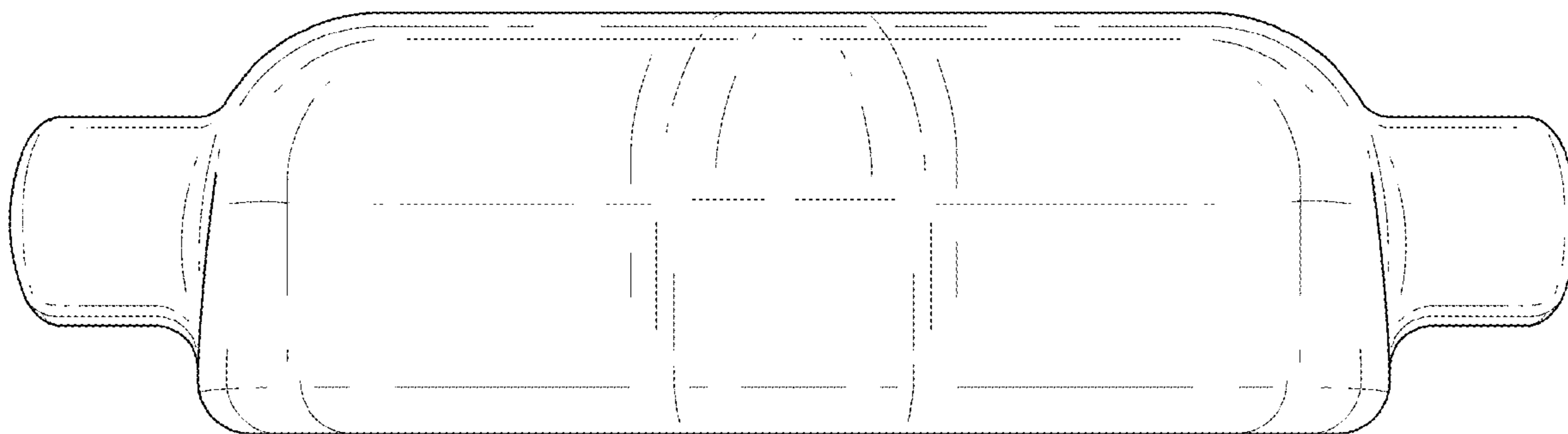


Fig-6