



US00D933205S

(12) **United States Design Patent**  
**Kang et al.**

(10) **Patent No.:** **US D933,205 S**  
(45) **Date of Patent:** **\*\* Oct. 12, 2021**

(54) **NEEDLE ARRAY**

FOREIGN PATENT DOCUMENTS

(71) Applicant: **JEISYS MEDICAL INC.**, Seoul (KR)

KR 301082560.0000 \* 11/2020

(72) Inventors: **Dong Hwan Kang**, Incheon (KR); **Hye Jin Sun**, Incheon (KR)

OTHER PUBLICATIONS

(73) Assignee: **JEISYS MEDICAL INC.**, Seoul (KR)

Introducing POTENZA—YOUTUBE, [video posted Nov. 25, 2019], [Site visited Aug. 16, 2021], Seen at the URL: <https://www.youtube.com/watch?v=prHLih-lcU4> (Year: 2019).\*

(\*\*) Term: **15 Years**

INTRAcE™ microneedling with Fractional Radiofrequency, YOUTUBE, [Video posted Apr. 6, 2016], [Site visited Aug. 16, 2021] Seen at URL: <https://www.youtube.com/watch?v=cUXkZU0Ejkh> (Year: 2016).\*

(21) Appl. No.: **29/725,946**

(22) Filed: **Feb. 28, 2020**

(51) **LOC (13) Cl.** ..... **24-02**

\* cited by examiner

(52) **U.S. Cl.**

USPC ..... **D24/130**; D24/112

(58) **Field of Classification Search**

USPC ..... D24/130, 112, 108, 127, 185–186, 222

CPC ..... A61M 37/0015; A61M 2037/0046; A61B 17/0482

See application file for complete search history.

*Primary Examiner* — Natasha Vujcic

*Assistant Examiner* — Gilbert B Ford

(74) *Attorney, Agent, or Firm* — Revolution IP, PLLC

(57) **CLAIM**

We claim the ornamental design of a needle array, as shown and described.

(56) **References Cited**

**DESCRIPTION**

U.S. PATENT DOCUMENTS

D657,461 S *	4/2012	Schembre	.....	A61B 8/0841
				D24/130
D801,523 S *	10/2017	Khouri	.....	D24/130
D818,588 S *	5/2018	Black	.....	D24/147
D836,324 S *	12/2018	Michalski	.....	D3/28
D868,246 S *	11/2019	Ogai	.....	D24/112
D881,384 S *	4/2020	Jing	.....	D24/112
D910,842 S *	2/2021	Fugo	.....	D24/130
D912,809 S *	3/2021	Lee	.....	D24/130
D920,505 S *	5/2021	Fugo	.....	D24/130
D920,506 S *	5/2021	Fugo	.....	D24/130
2014/0114279 A1 *	4/2014	Klinghoffer	.....	A61M 5/14212
				604/506
2017/0007813 A1 *	1/2017	Negi	.....	A61M 37/0015
2019/0091455 A1 *	3/2019	Reitz	.....	B21D 17/02
2020/0147359 A1 *	5/2020	Groop	.....	A61B 17/3417
2020/0368512 A1 *	11/2020	Burton	.....	A61M 37/0015

FIG. 1 is a perspective view of a needle array showing the claimed design;  
FIG. 2 is a front view thereof;  
FIG. 3 is a rear view thereof;  
FIG. 4 is a left side view thereof;  
FIG. 5 is a right side view thereof;  
FIG. 6 is a top view thereof; and  
FIG. 7 is a bottom view thereof; and,  
FIG. 8 depicts an enlarged detail view of portion 8 shown in FIG. 2.

The dot-dash broken lines framing portions of the claimed design that are illustrated in enlargements form no part of the claimed design.

**1 Claim, 8 Drawing Sheets**

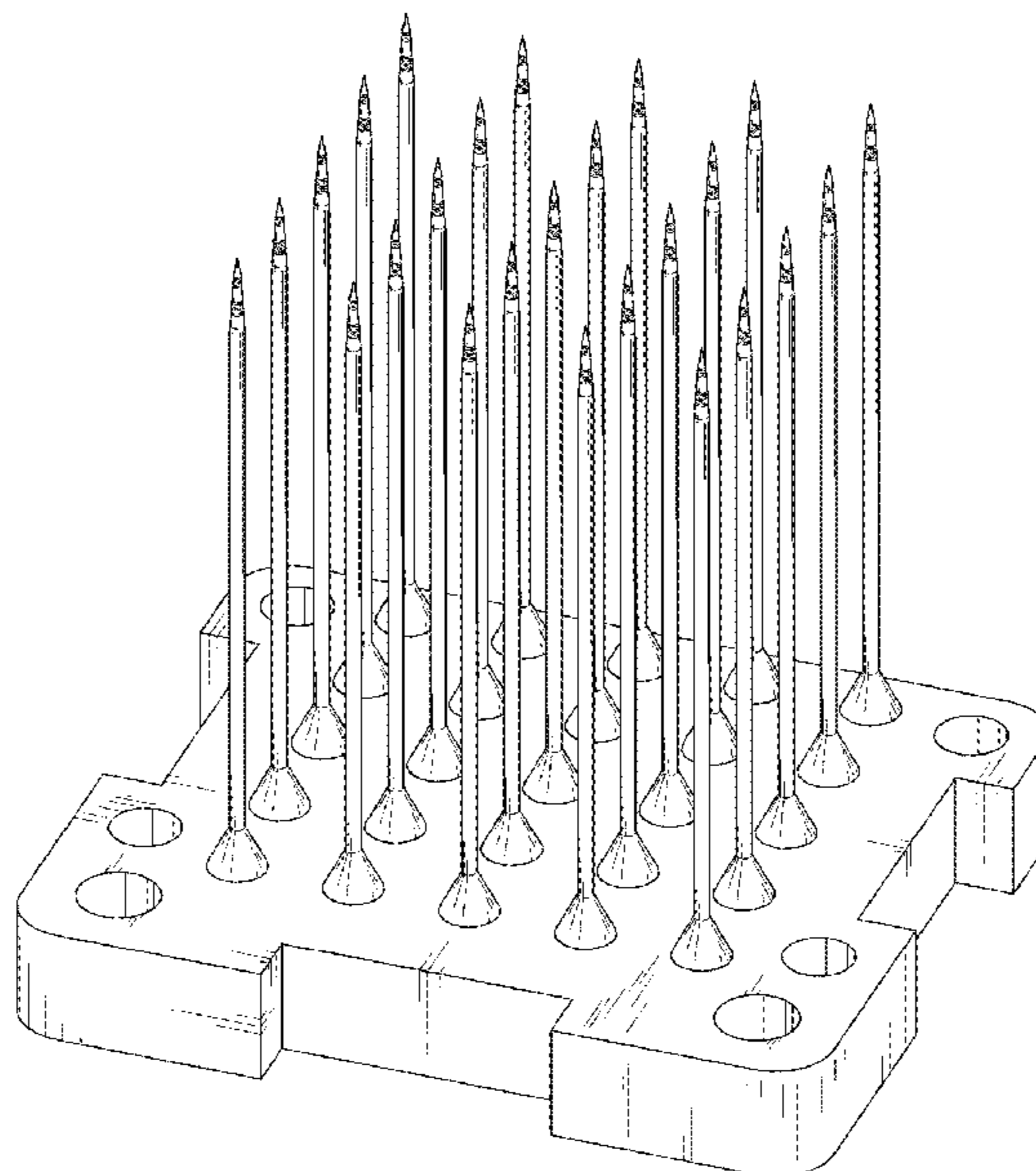


FIG. 1

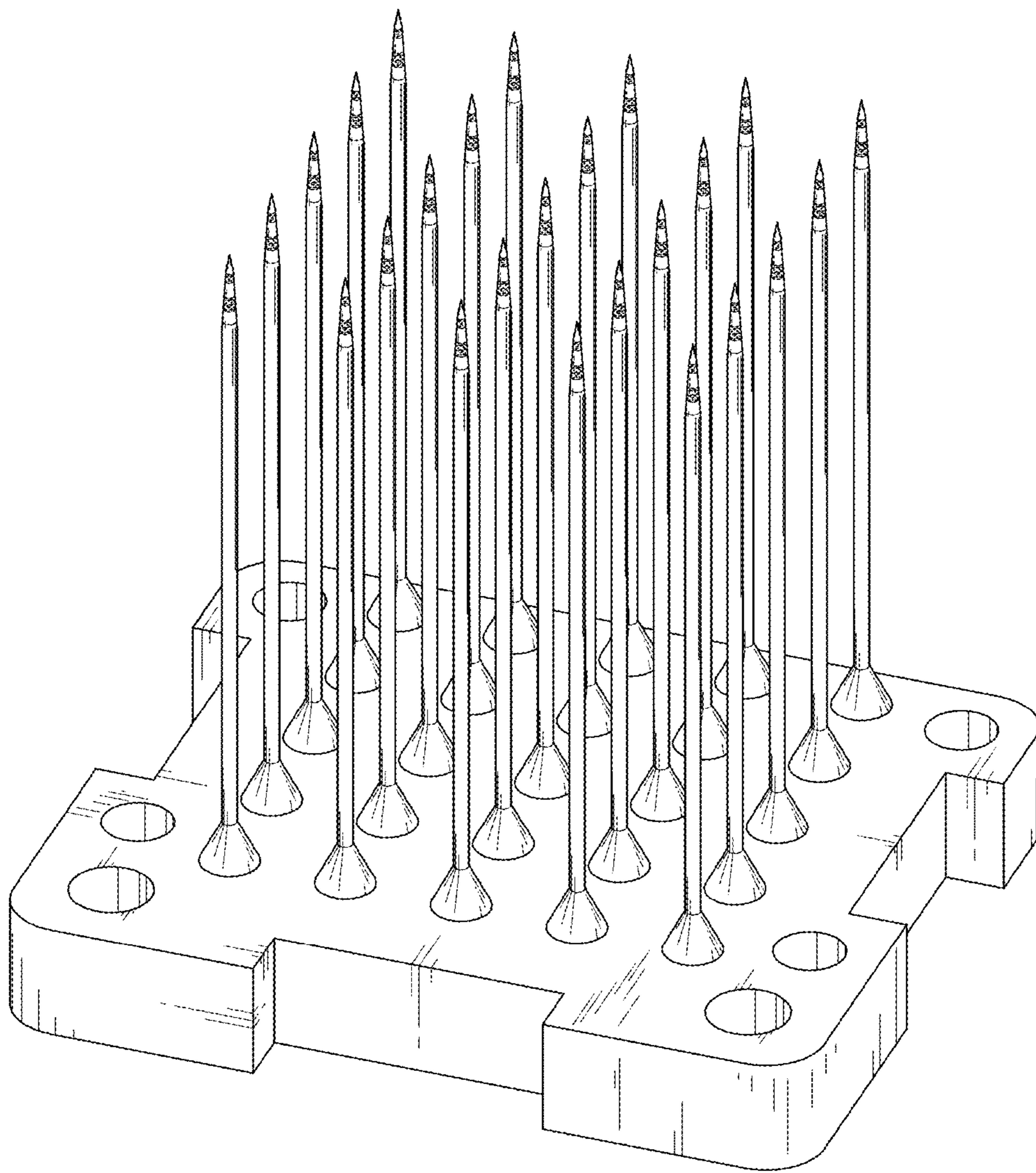


FIG. 2

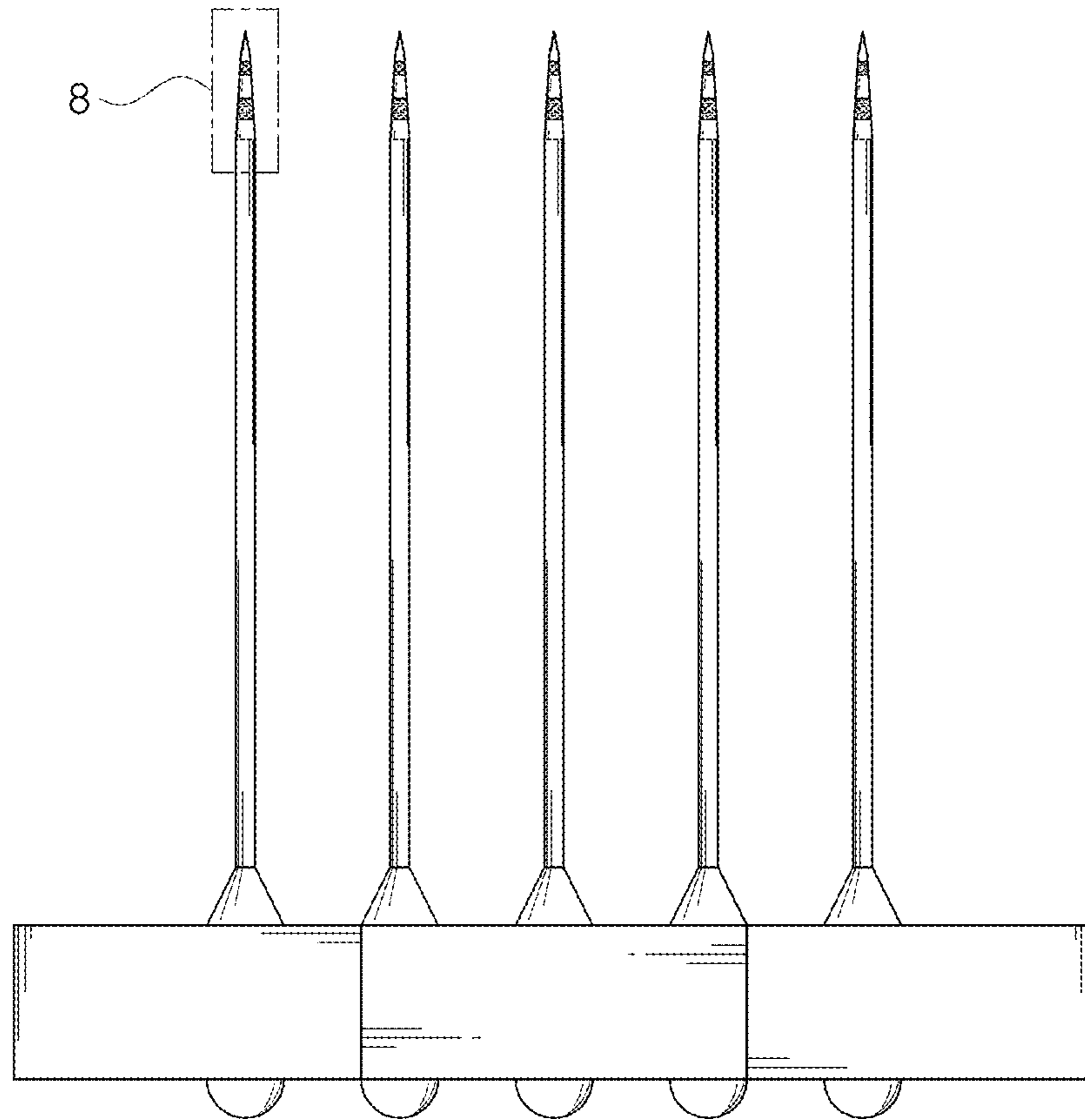


FIG. 3

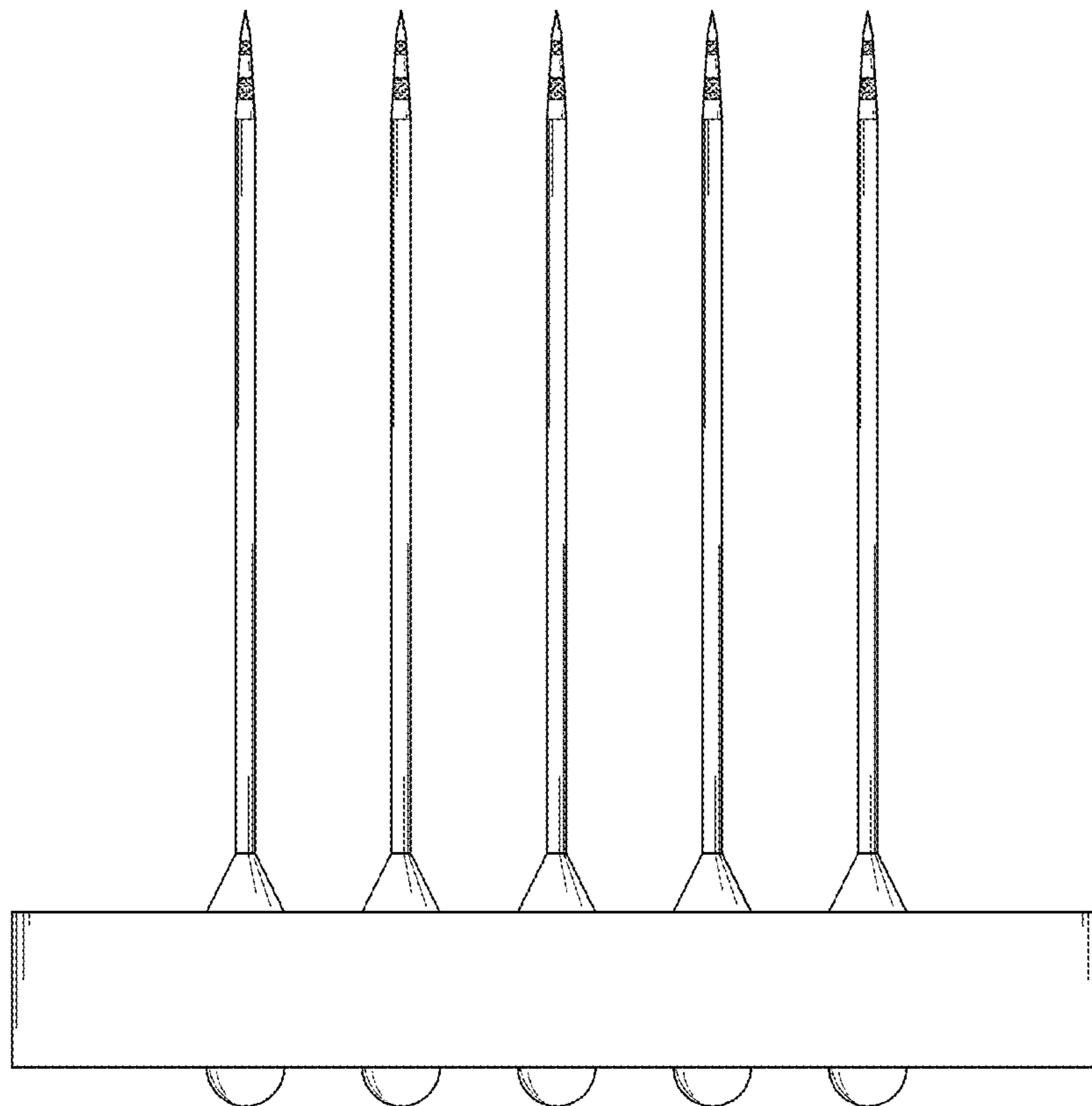


FIG. 4

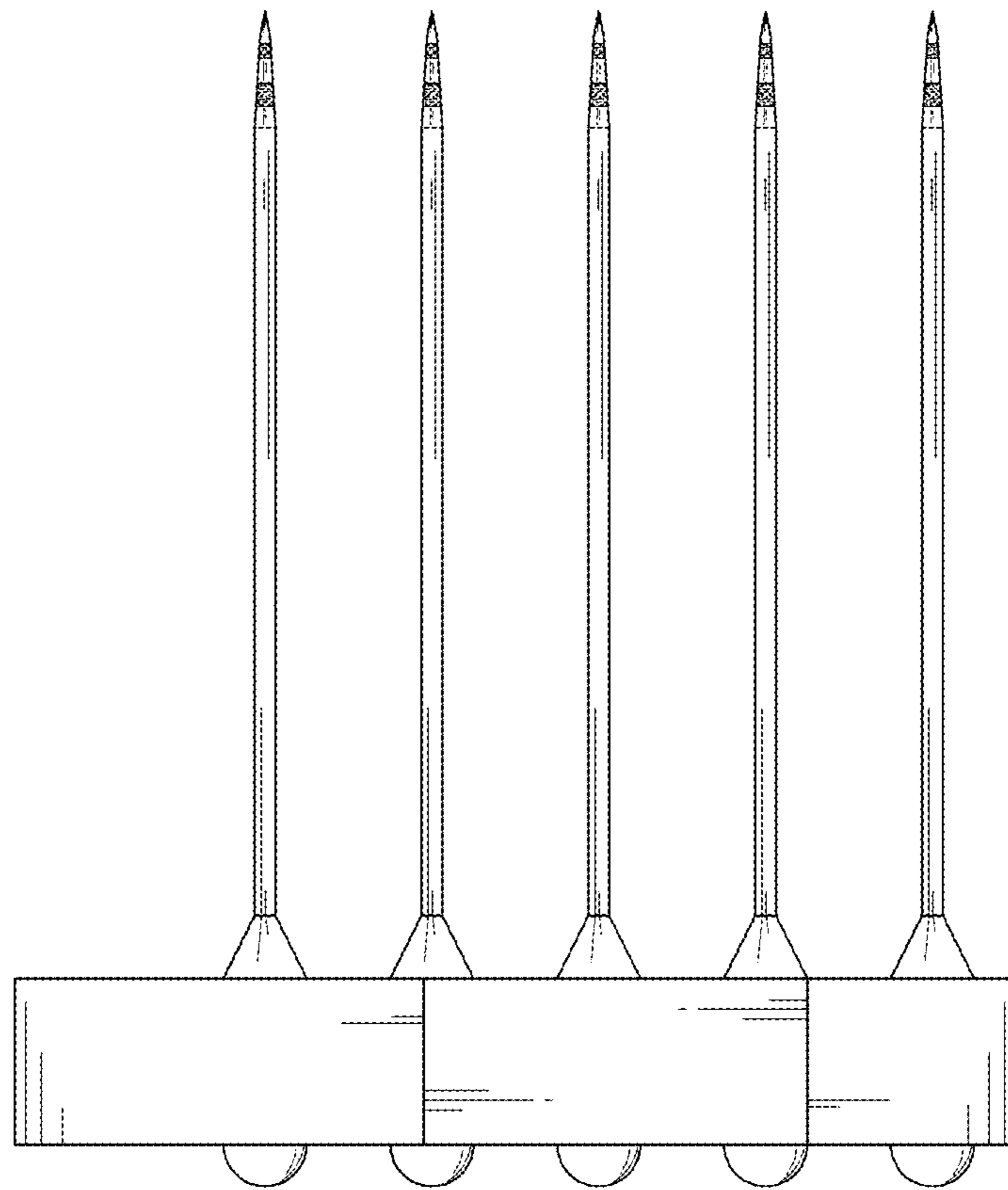


FIG. 5

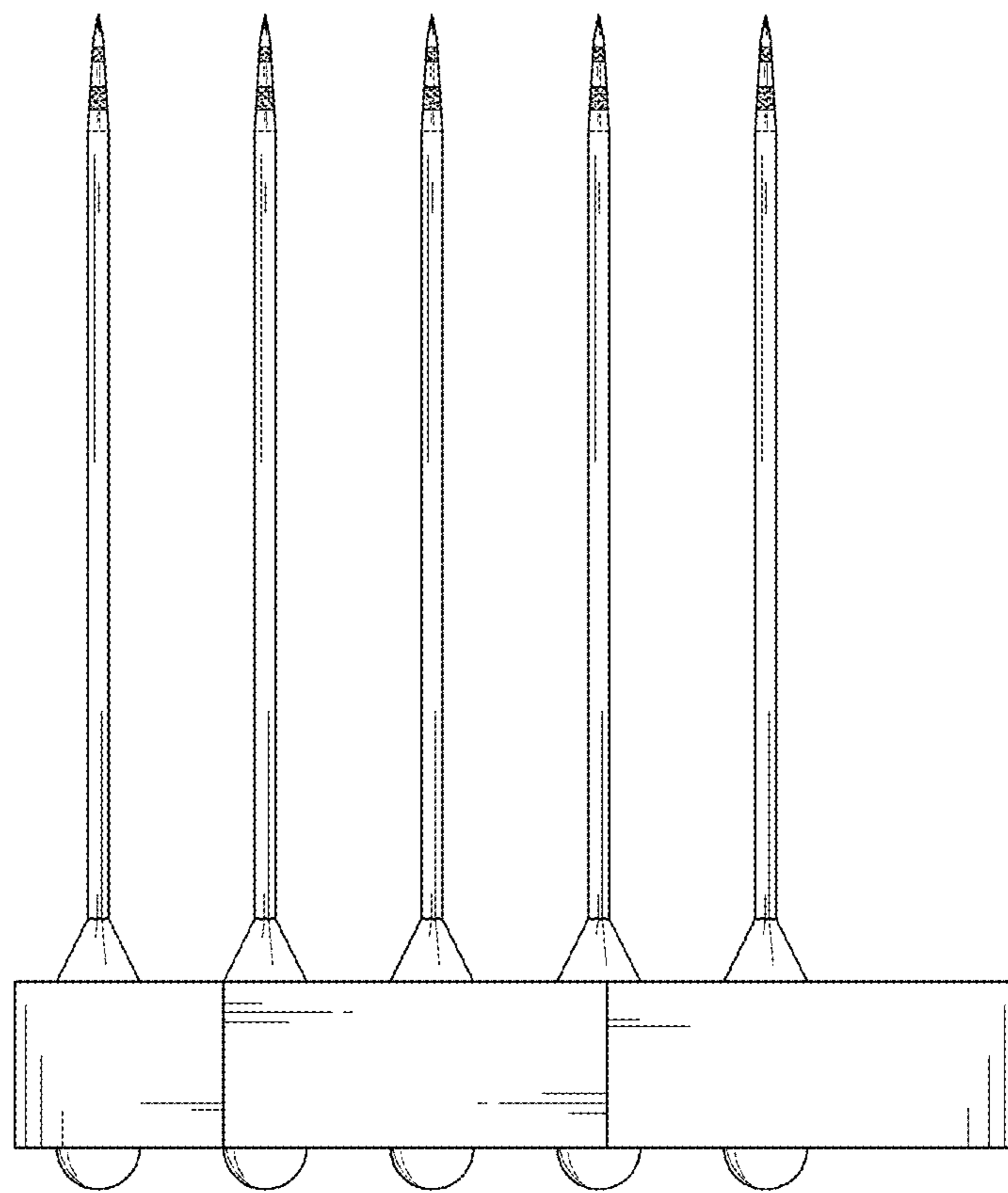


FIG. 6

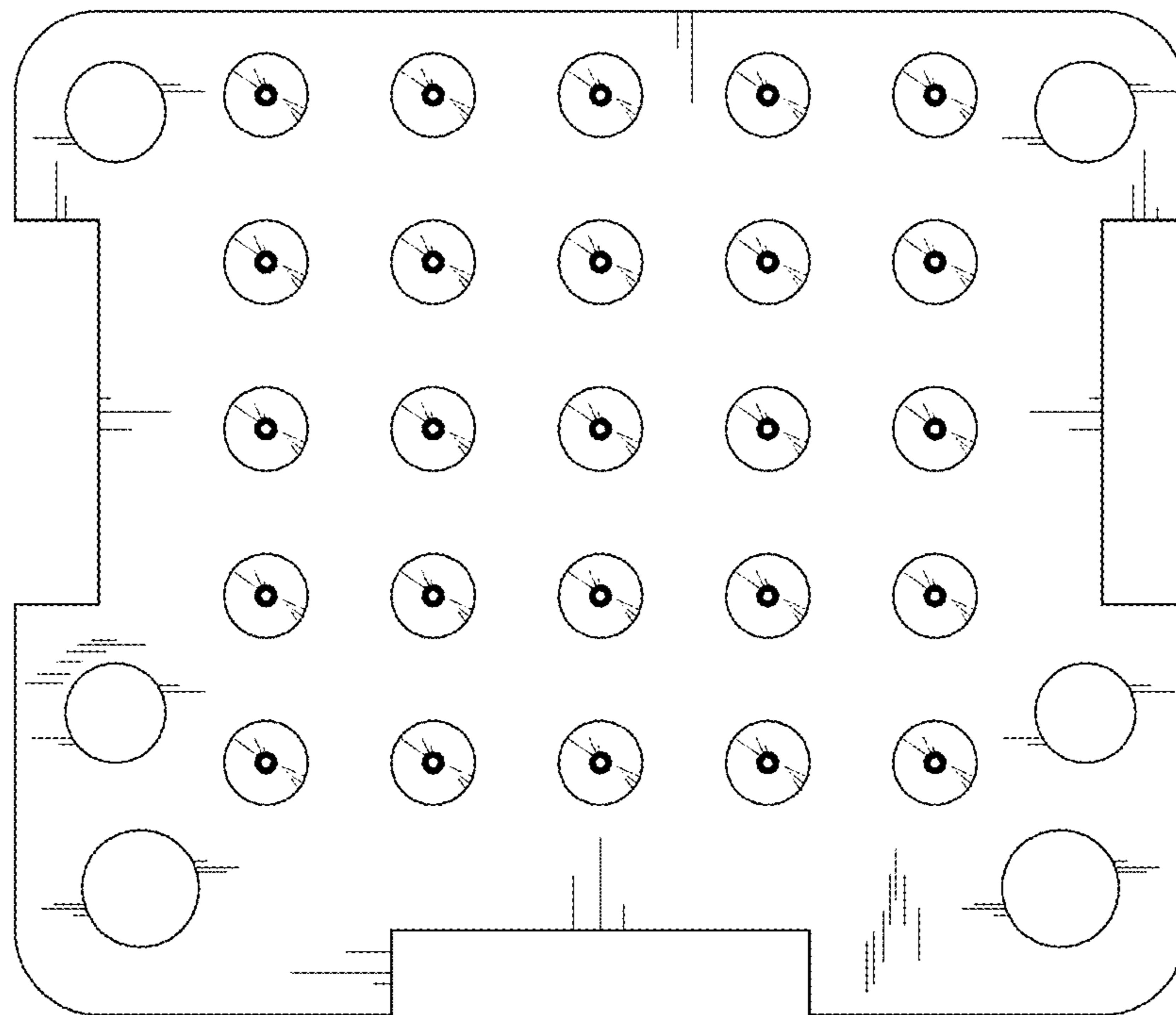


FIG. 7

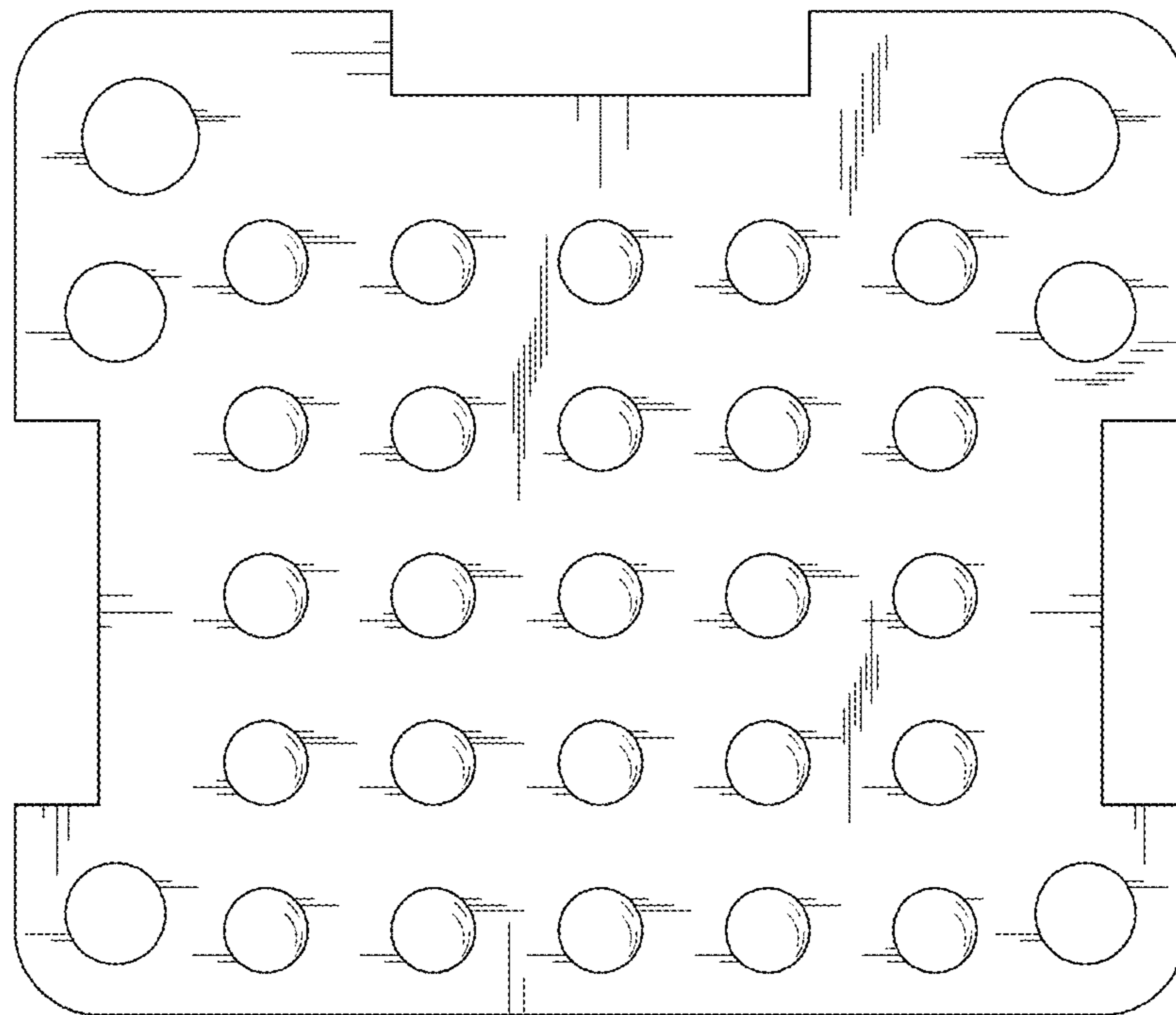




FIG. 8

