



US00D933202S

(12) **United States Design Patent** (10) **Patent No.:** **US D933,202 S**
Vail et al. (45) **Date of Patent:** **** Oct. 12, 2021**

(54) **FLUID PUMP**
(71) Applicant: **Cole-Parmer Instrument Company LLC**, Vernon Hills, IL (US)
(72) Inventors: **Jake Randall Vail**, Lake Zurich, IL (US); **Gilberto Cavada, Jr.**, Wauconda, IL (US)
(73) Assignee: **COLE-PARMER INSTRUMENT COMPANY LLC**, Vernon Hills, IL (US)
(**) Term: **15 Years**
(21) Appl. No.: **29/728,949**
(22) Filed: **Mar. 23, 2020**
(51) **LOC (13) Cl.** **24-02**
(52) **U.S. Cl.**
USPC **D24/111; D15/7**
(58) **Field of Classification Search**
USPC D15/7, 9, 143, 148-149, 199; D23/225, D23/231-233, 235; D24/108, 110, 111
CPC F15B 15/16; F15B 15/26; F15B 15/1414; F15B 15/1919; F15B 15/14; F15B 15/00; F15B 15/08; F15B 15/18; F15B 15/20; F02M 37/04; F04D 29/4286
See application file for complete search history.

D662,950 S * 7/2012 Lu D15/9
D696,393 S * 12/2013 Lu D24/110
D696,394 S * 12/2013 Lu D24/110
D753,812 S * 4/2016 Salmon D24/110
D894,369 S * 8/2020 Salmon D24/110
D918,963 S * 5/2021 Chavda D15/7
2016/0185473 A1* 6/2016 Zucchini F04B 25/00 417/53

OTHER PUBLICATIONS

Ismatec, Reglo Digital Pump with Masterflex Live, (copyright 2021), Coleparmer.com website, URL:<<https://www.coleparmer.com/i/ismatec-reglo-miniflex-digital-pump-with-masterflexlive-single-channel-115-230-vac/7801840>> (Year: 2021).*

* cited by examiner

Primary Examiner — Calvin E Vansant
Assistant Examiner — Mark T. Philipps
(74) *Attorney, Agent, or Firm* — Arent Fox LLP

(57) **CLAIM**

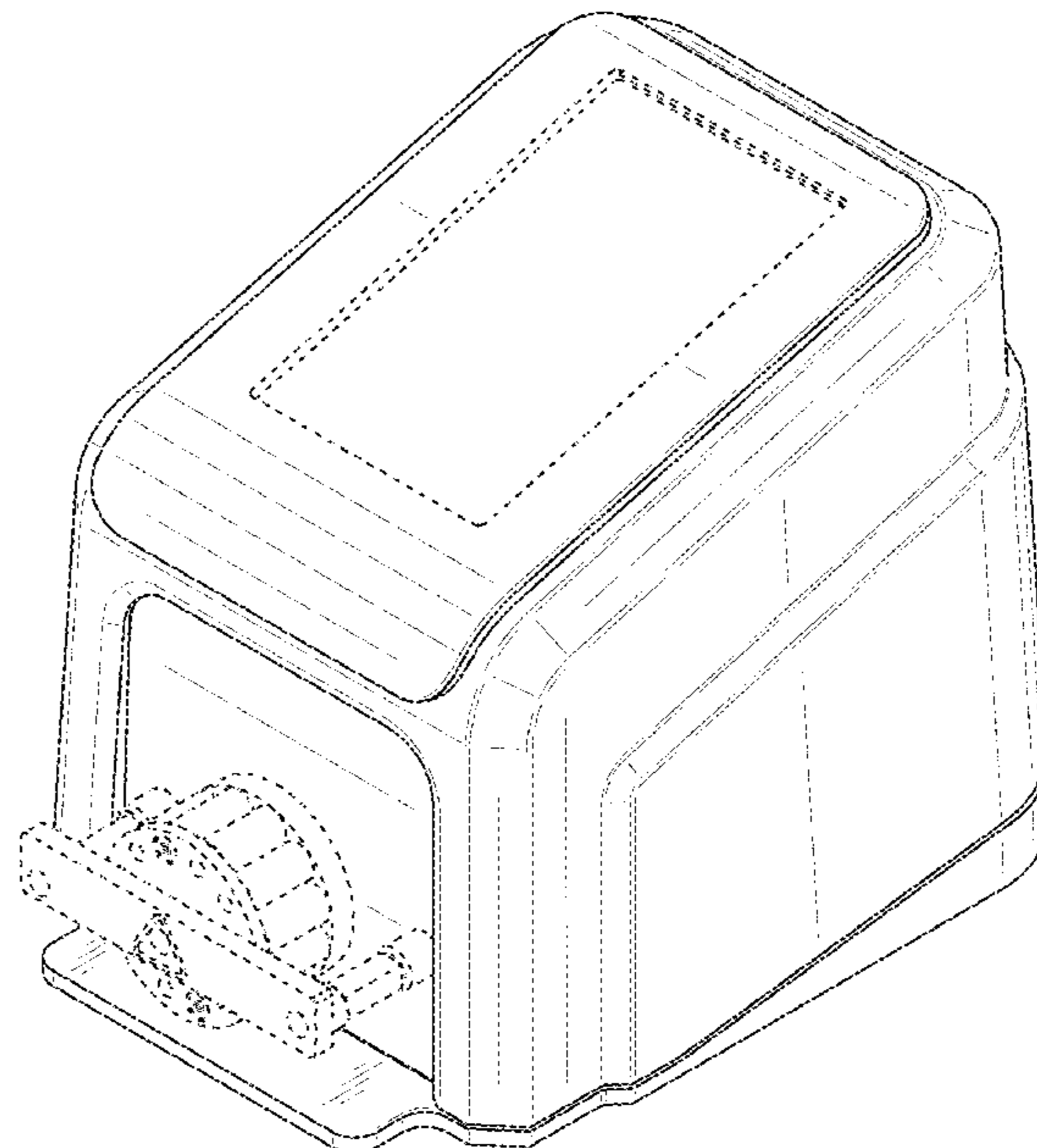
The ornamental design for a fluid pump, as shown and described.

DESCRIPTION

FIG. 1 is a front right perspective view of a fluid pump showing our new design; FIG. 2 is a front view of the design shown in FIG. 1; FIG. 3 is a rear view of the design shown in FIG. 1; FIG. 4 is a right side view of the design shown in FIG. 1; FIG. 5 is a left side view of the design shown in FIG. 1; FIG. 6 is a top view of the design shown in FIG. 1; and, FIG. 7 is a bottom view of the design shown in FIG. 1. The broken lines shown in the figures are included for the purpose of illustrating portions of the fluid pump and form no part of the claimed design.

1 Claim, 7 Drawing Sheets

(56) **References Cited**
U.S. PATENT DOCUMENTS
D247,436 S * 3/1978 Willinger D15/8
D263,593 S * 3/1982 Goldman D15/8
6,164,932 A * 12/2000 Tominaga A01K 63/047 417/413.1
D480,093 S * 9/2003 Attolini D15/9
D598,472 S * 8/2009 Anderson D15/7
D617,345 S * 6/2010 Wang D15/8



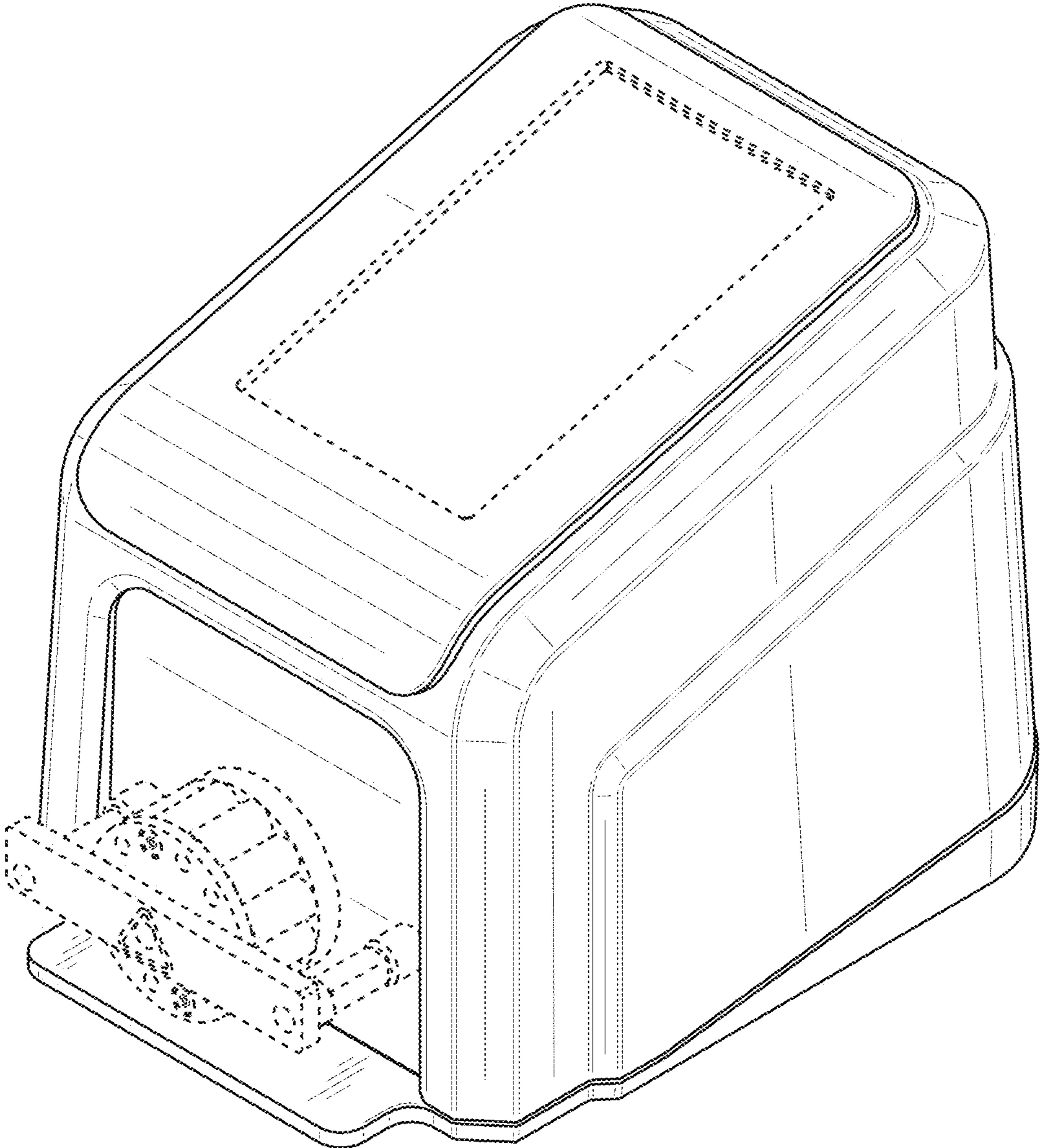


FIG. 1

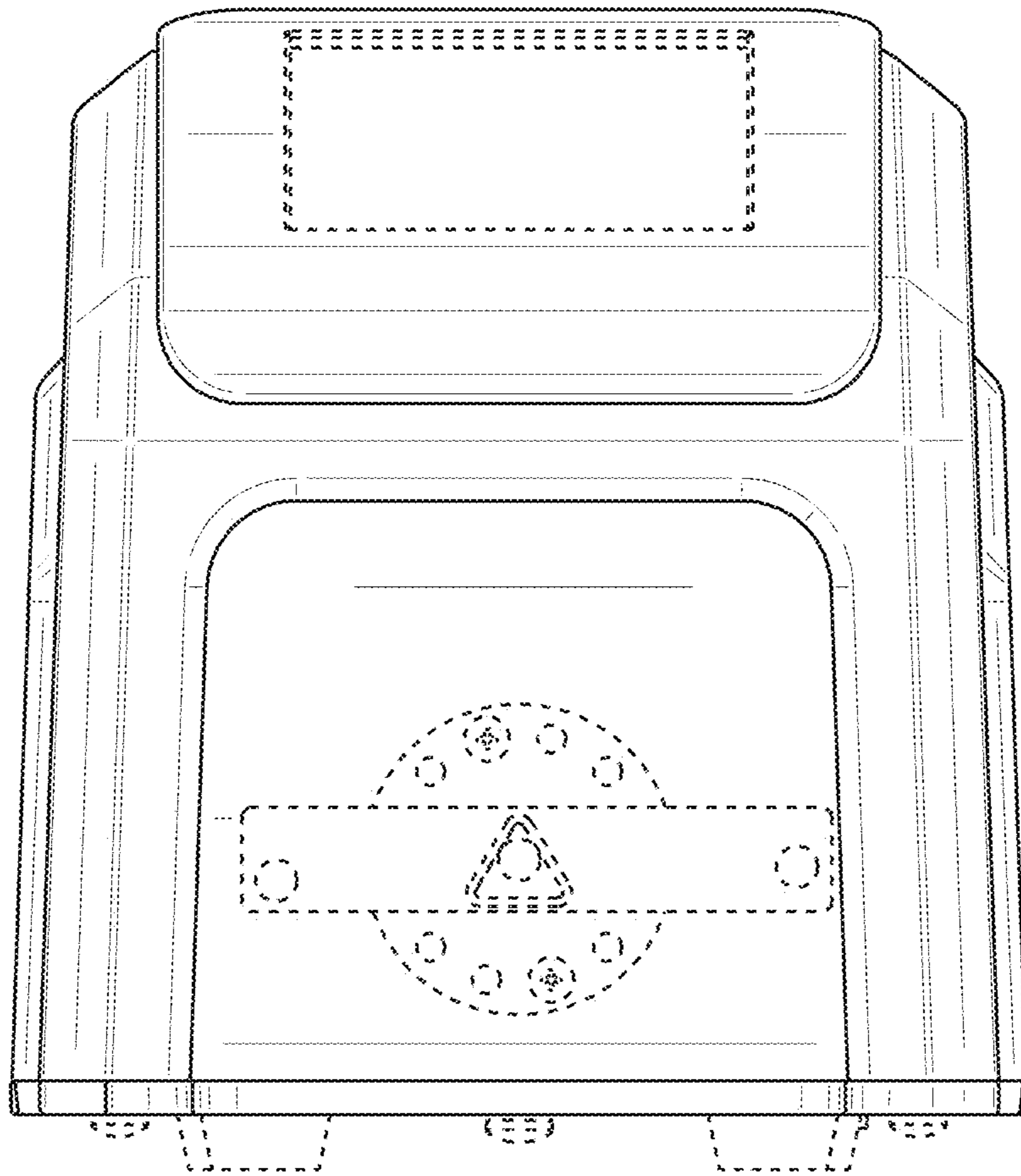


FIG. 2

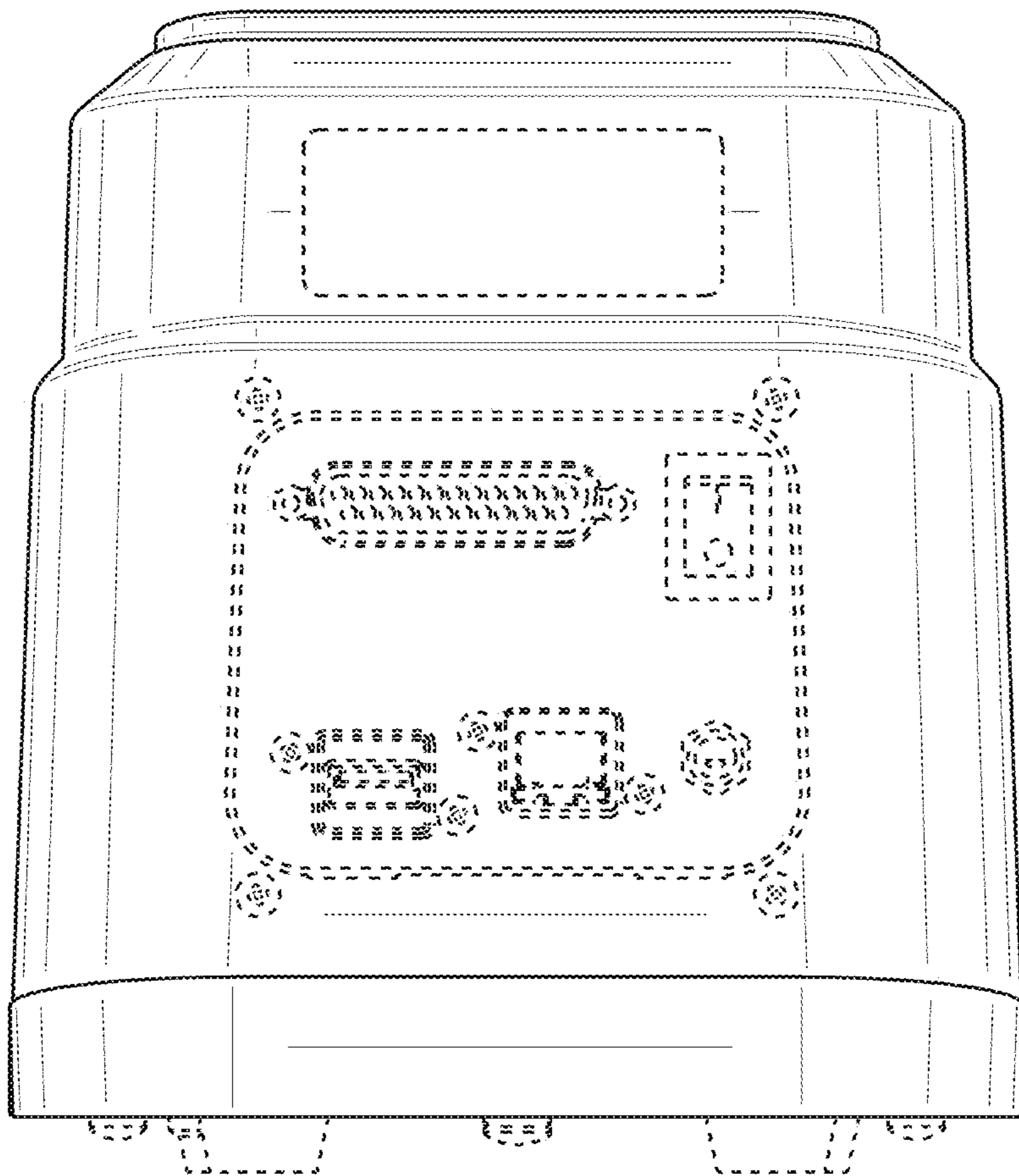


FIG. 3

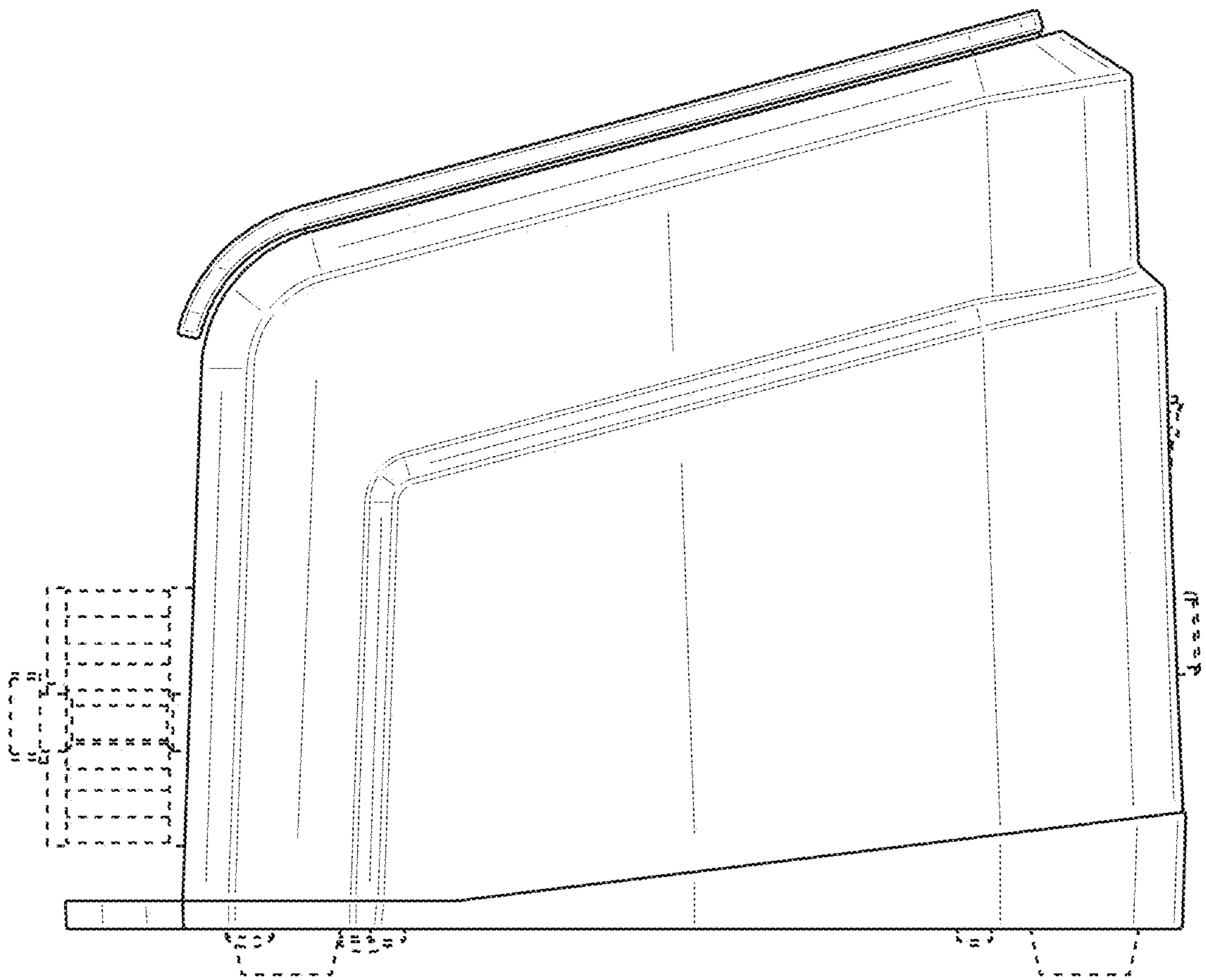


FIG. 4

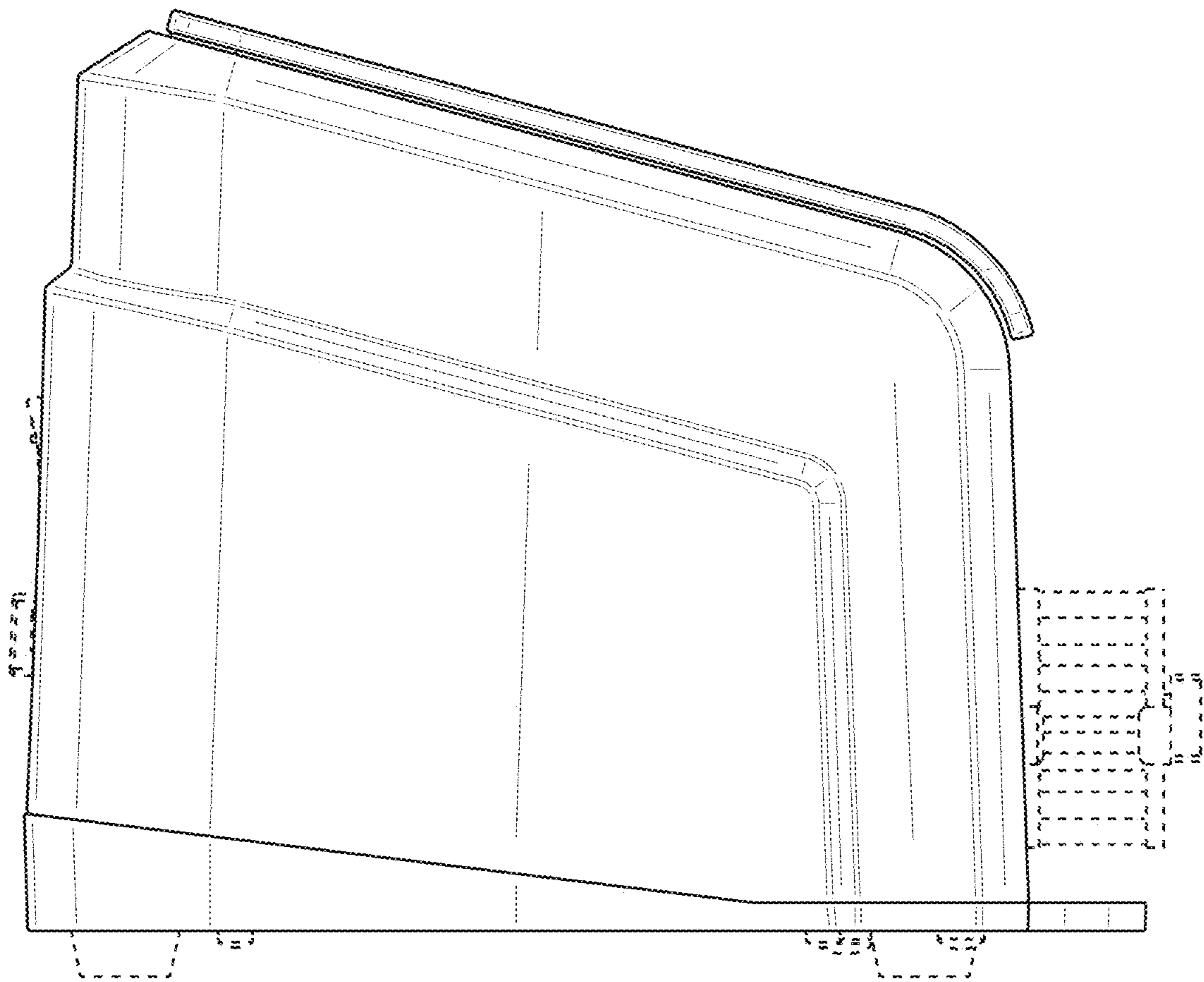


FIG. 5

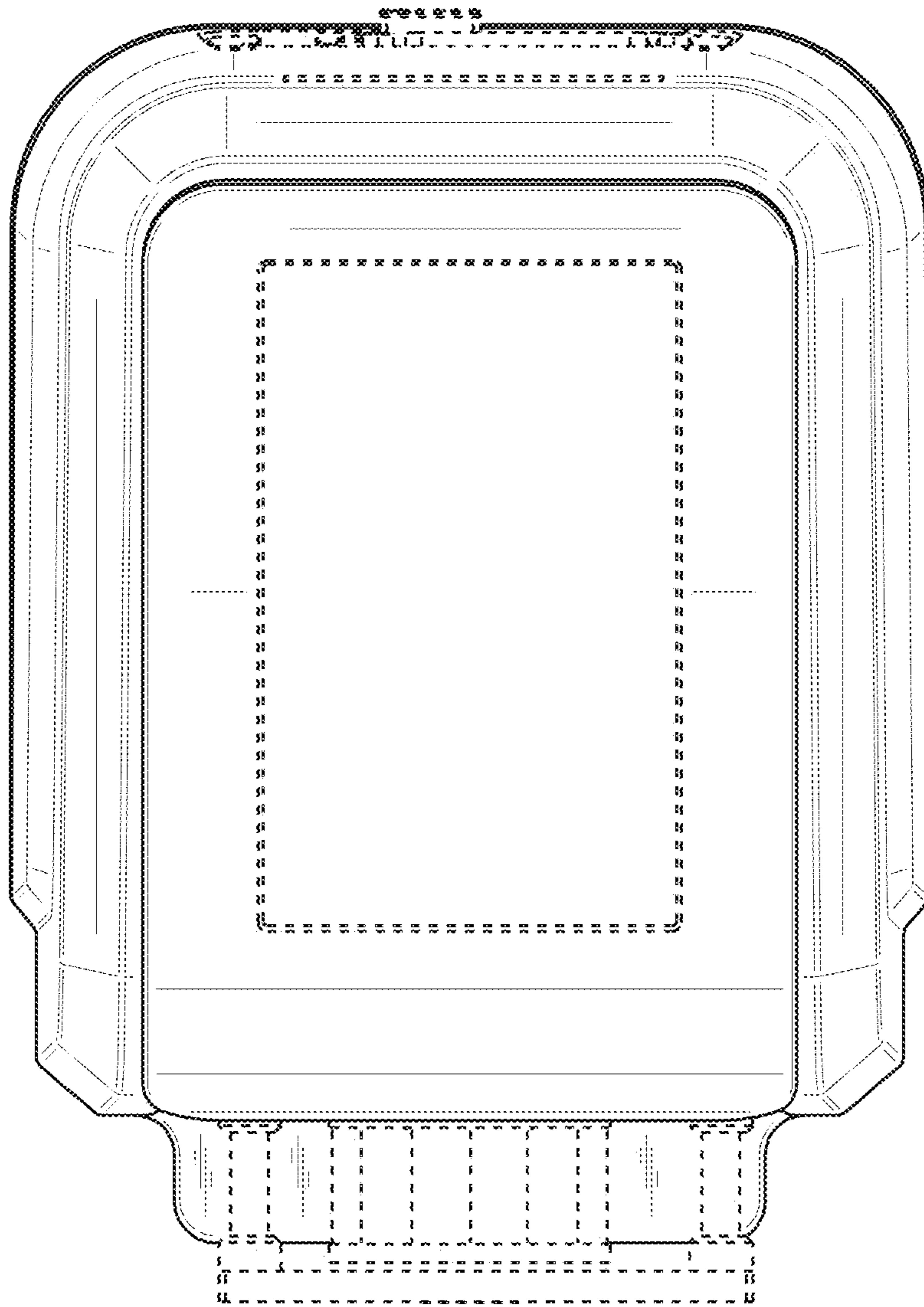


FIG. 6

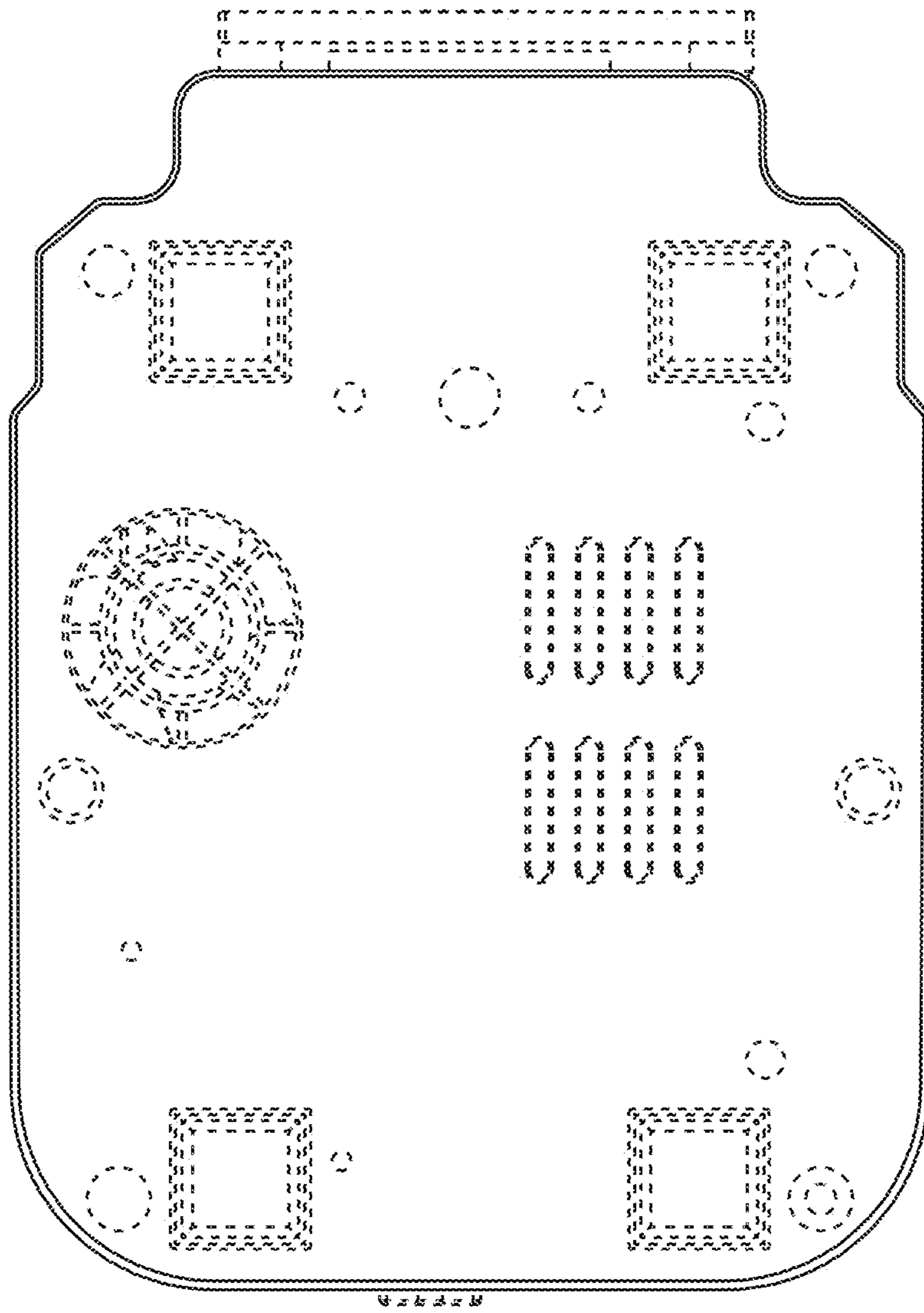


FIG. 7