



US00D933201S

(12) **United States Design Patent** (10) **Patent No.:** **US D933,201 S**  
**Zhou** (45) **Date of Patent:** **\*\* Oct. 12, 2021**

(54) **ELECTRIC DENTAL WATER JET**  
(71) Applicant: **Xing Zhou**, Guangzhou (CN)  
(72) Inventor: **Xing Zhou**, Guangzhou (CN)  
(\*\*) Term: **15 Years**

2020/0170767 A1\* 6/2020 Zhou ..... A61C 17/024  
2021/0030518 A1\* 2/2021 Zhou ..... A61B 1/04  
2021/0059801 A1\* 3/2021 Yu ..... A61C 17/0205

(21) Appl. No.: **29/691,878**  
(22) Filed: **May 20, 2019**  
(30) **Foreign Application Priority Data**

FOREIGN PATENT DOCUMENTS

EM 006432001-0001 \* 6/2019

Nov. 21, 2018 (CN) ..... 201830662521.2

(51) **LOC (13) Cl.** ..... **24-02**  
(52) **U.S. Cl.**  
USPC ..... **D24/111**

OTHER PUBLICATIONS

Guangzhou T.K. Medical Instrument Co., Decision to Grant, JP2019-010751, dated Oct. 23, 2019, 1 pg.  
Guangzhou T.K. Medical Instrument Co., Examination Opinions, TW108302649, dated Nov. 19, 2019, 6 pgs.

(58) **Field of Classification Search**  
USPC ..... D24/108, 111-115, 117, 152, 176  
CPC ..... A61C 17/20; A61C 17/00; A61C 17/005;  
A61C 17/02; A61C 17/0202; A61C  
17/0205; A61C 17/0211; A61C 17/36;  
A61C 17/028; A61C 17/22; A61C  
17/222; A61C 17/225; A61C 17/28  
See application file for complete search history.

\* cited by examiner

*Primary Examiner* — Lilyana Bekic  
(74) *Attorney, Agent, or Firm* — Morgan, Lewis & Bockius LLP

(56) **References Cited**

U.S. PATENT DOCUMENTS

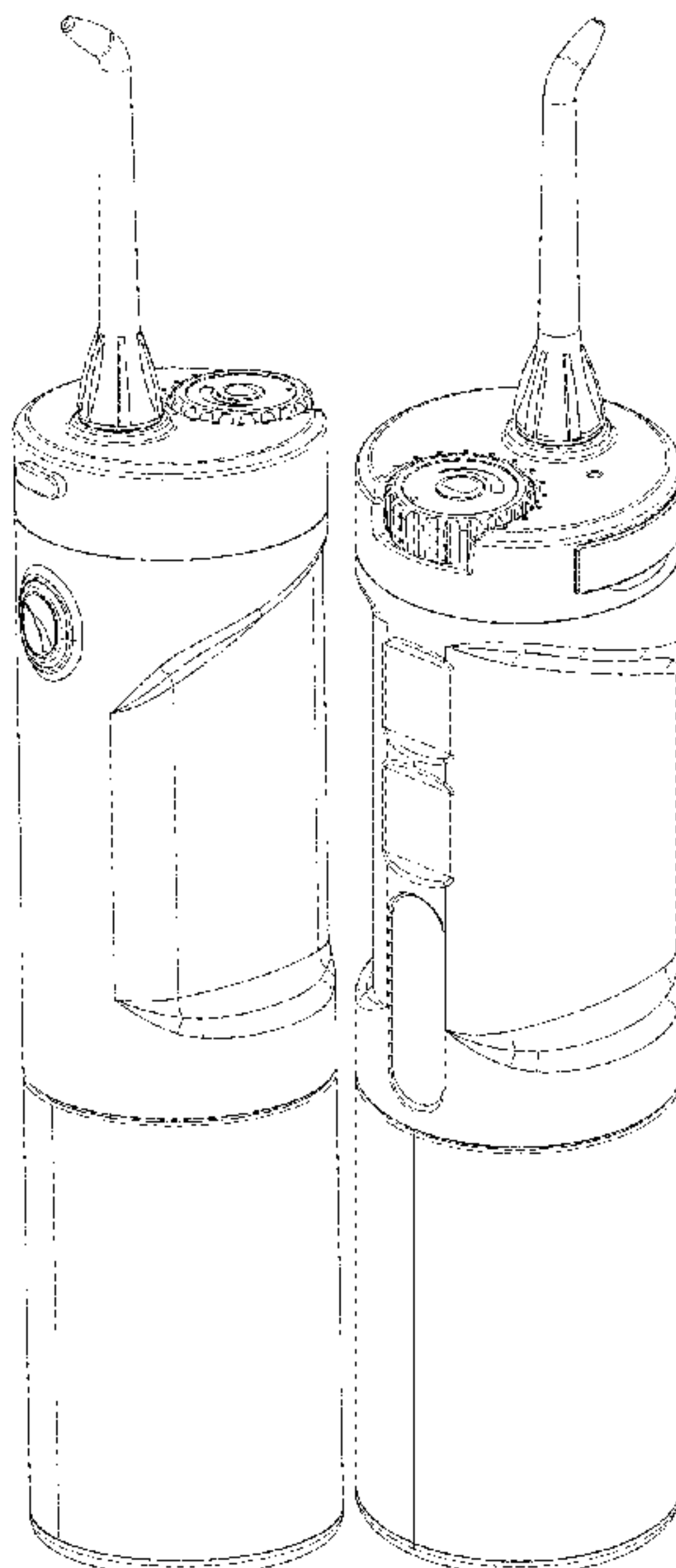
D209,395 S \* 11/1967 Gilbert ..... D24/113  
D322,314 S \* 12/1991 Ohbayashi ..... D24/113  
D373,631 S \* 9/1996 Maeda ..... D24/111  
D413,975 S \* 9/1999 Maeda ..... D24/111  
D812,219 S \* 3/2018 Wang ..... D24/111  
D889,637 S \* 7/2020 Yuan ..... D24/111  
2009/0305187 A1\* 12/2009 Janssen ..... A61C 17/0202  
433/88  
2019/0358006 A1\* 11/2019 Arias Haber ..... A61C 17/02

(57) **CLAIM**  
The ornamental design for an electric dental water jet, as shown and described.

**DESCRIPTION**

FIG. 1 is a front perspective view of an electric dental water jet showing my new design;  
FIG. 2 is a rear perspective view thereof;  
FIG. 3 is an enlarged bottom plan view thereof;  
FIG. 4 is an enlarged top plan view thereof;  
FIG. 5 is a front elevational view thereof;  
FIG. 6 is a right side elevational view;  
FIG. 7 is a rear elevational view thereof; and,  
FIG. 8 is a left side elevational view thereof.  
The broken lines shown in the drawings represent portions of the electric dental water jet that form no part of the claimed design.

**1 Claim, 7 Drawing Sheets**



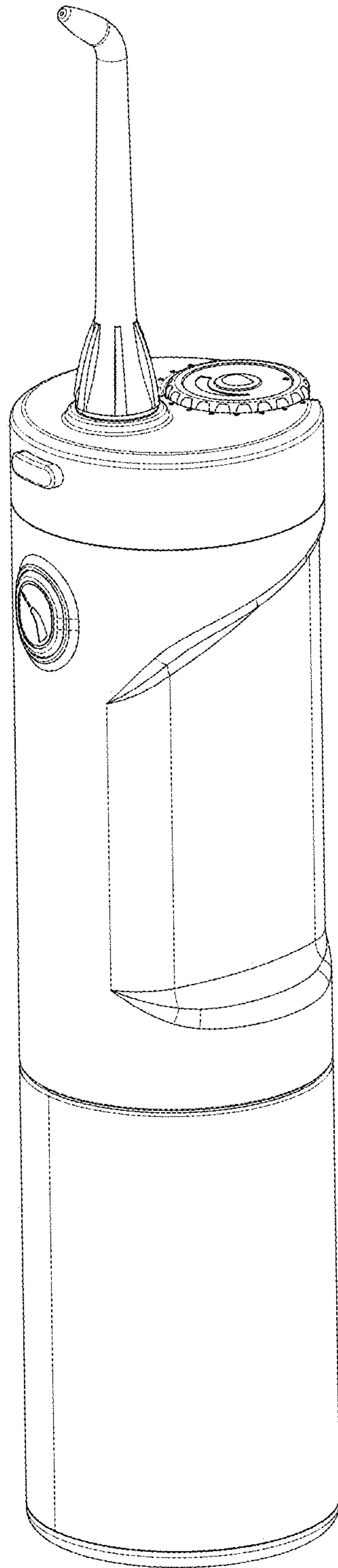


Figure 1

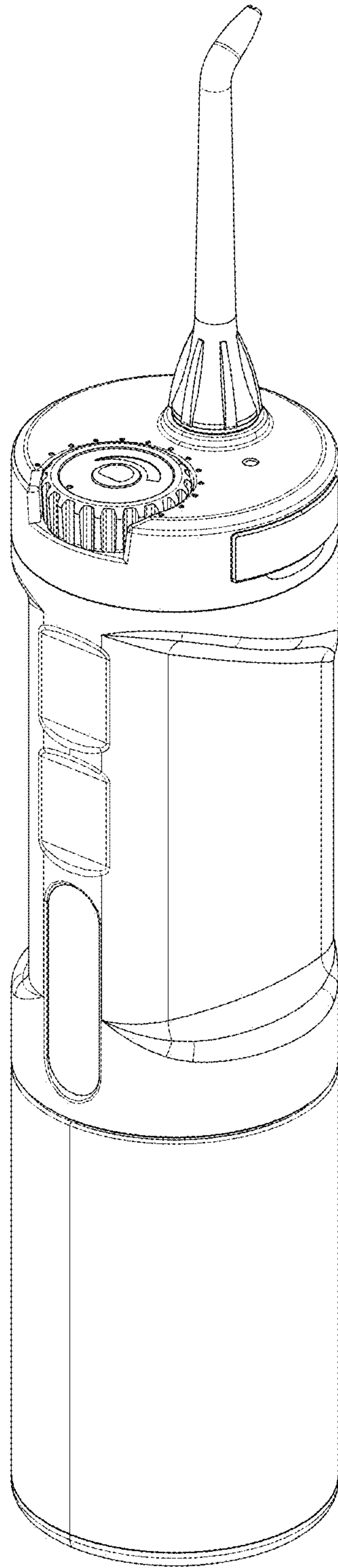
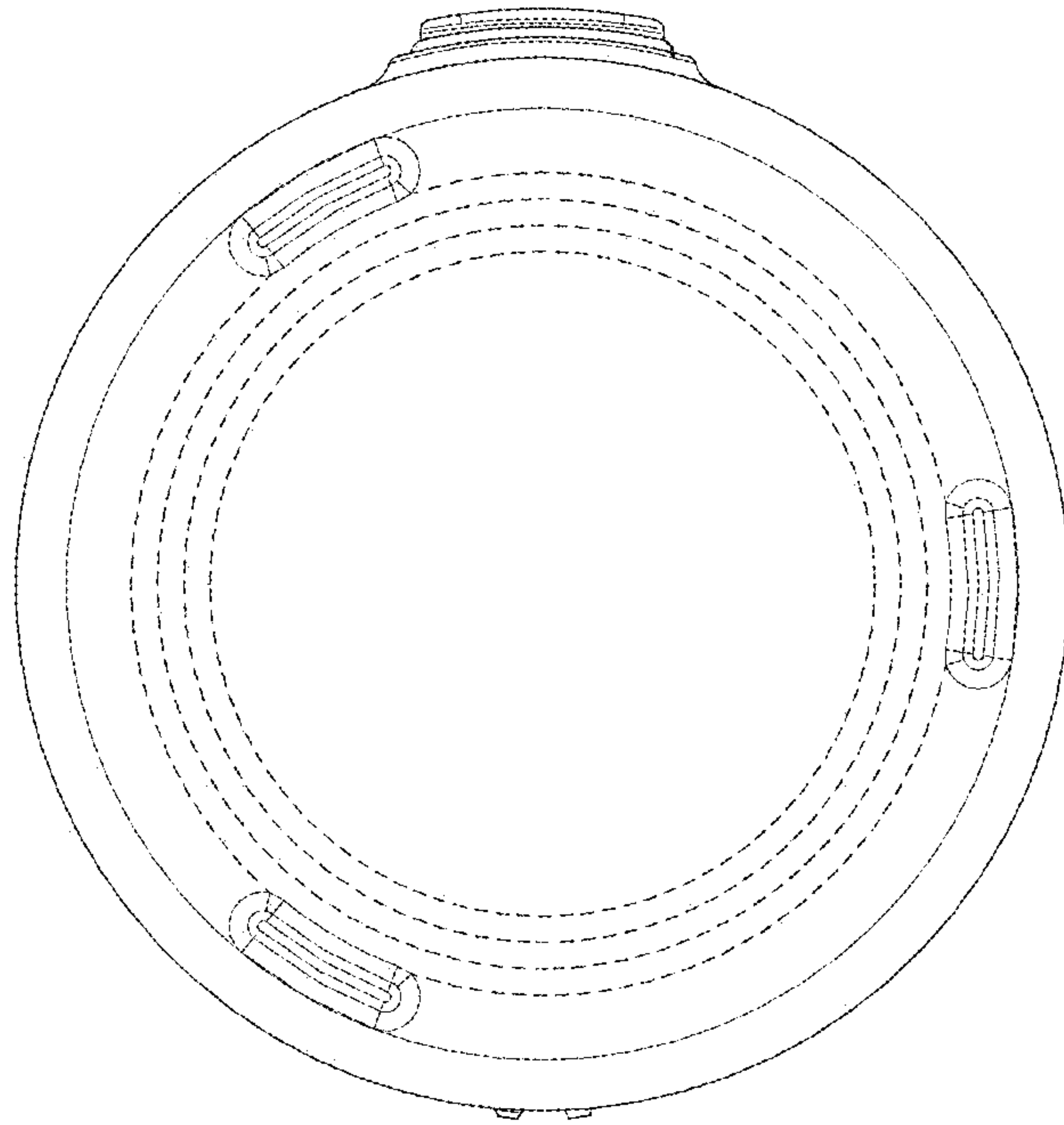
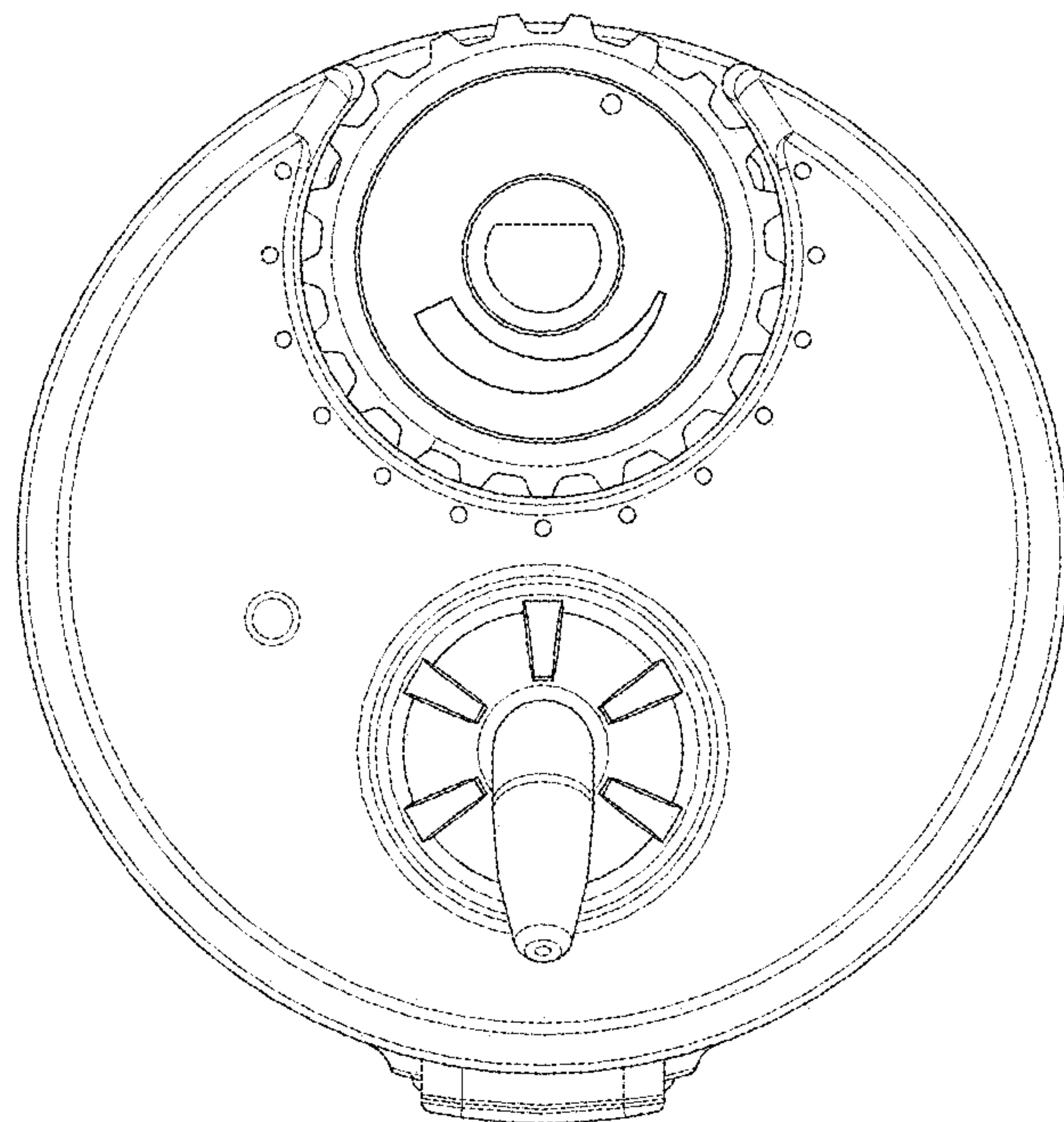


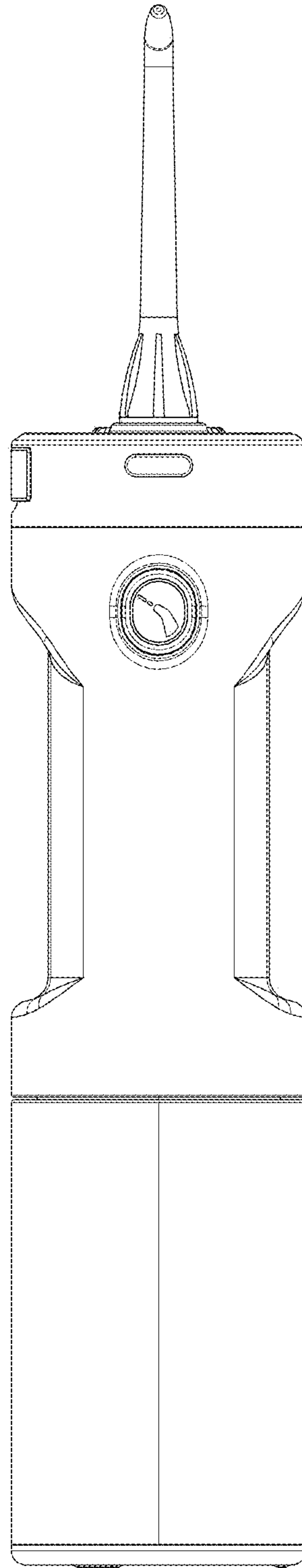
Figure 2



**Figure 3**



**Figure 4**



**Figure 5**

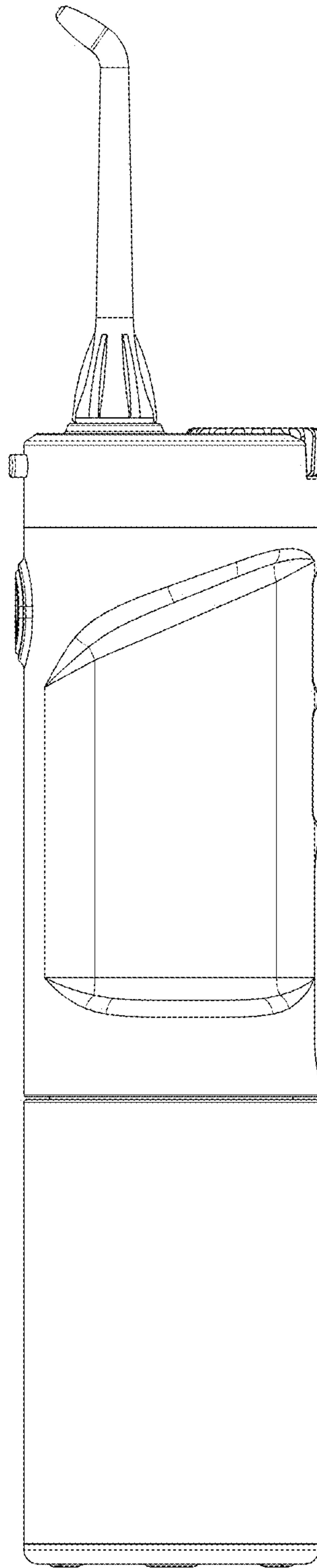


Figure 6



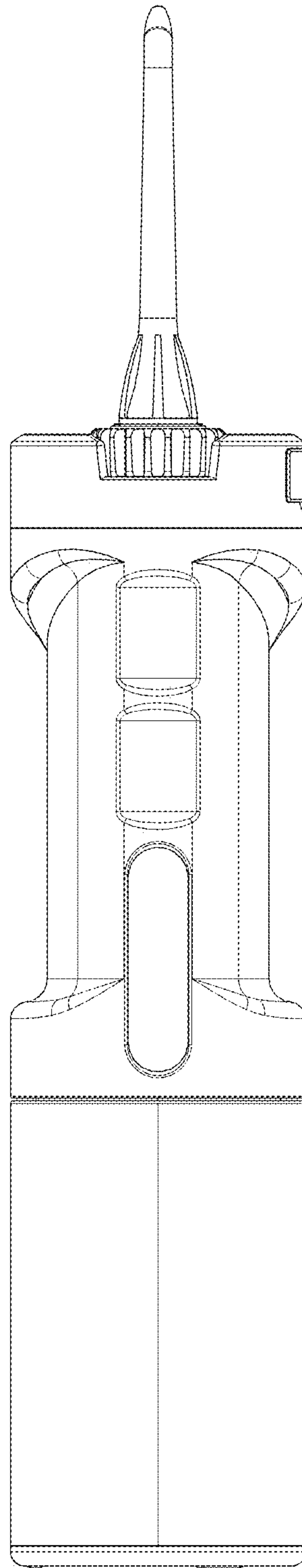
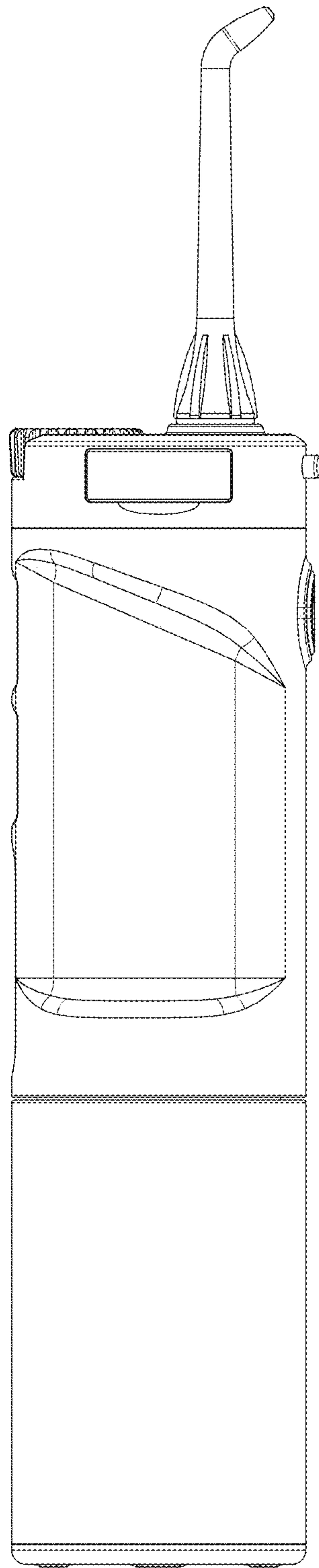


Figure 7



**Figure 8**