



US00D933199S

(12) **United States Design Patent** (10) **Patent No.:** **US D933,199 S**  
**Chen** (45) **Date of Patent:** **\*\* Oct. 12, 2021**

(54) **ASSISTING INSTRUMENT FOR SLEEP**

(71) Applicant: **Shenzhen MaiWeiXun Electronic Co., LTD**, Shenzhen (CN)

(72) Inventor: **Taiming Chen**, Shenzhen (CN)

(73) Assignee: **SHENZHEN MAIWEIXUN ELECTRONIC CO., LTD**, Shenzhen (CN)

(\*\*) Term: **15 Years**

(21) Appl. No.: **29/720,597**

(22) Filed: **Jan. 14, 2020**

(51) **LOC (13) Cl.** ..... **30-02**

(52) **U.S. Cl.**  
USPC ..... **D24/110**

(58) **Field of Classification Search**  
USPC ..... D24/108, 110-115, 117, 121, 127, 162,  
D24/164, 185; D9/724, 529  
CPC ... A61B 5/4809; A61B 5/4818; A61B 5/4806;  
A61B 5/4815  
See application file for complete search history.

(56) **References Cited**

**U.S. PATENT DOCUMENTS**

4,949,715	A	*	8/1990	Brugger	.....	A61M 15/00 128/200.14
D679,800	S	*	4/2013	Gusky	.....	D24/110
D703,311	S	*	4/2014	Daly	.....	D24/110
D732,158	S	*	6/2015	Salmon	.....	D24/110
D734,446	S	*	7/2015	Salmon	.....	D24/108
D735,865	S	*	8/2015	Nishimura	.....	D24/164

D739,521	S	*	9/2015	Pipe	.....	D24/108
D740,929	S	*	10/2015	Pipe	.....	D24/108
D740,930	S	*	10/2015	Pipe	.....	D24/108
D753,812	S	*	4/2016	Salmon	.....	D24/110
D759,230	S	*	6/2016	Gordon	.....	D24/110
D759,804	S	*	6/2016	Singh	.....	D24/108
D859,638	S	*	9/2019	Swanbury	.....	D24/110
D877,321	S	*	3/2020	DiMatteo	.....	D24/110
D883,472	S	*	5/2020	Hogerwerf	.....	D24/111
D890,914	S	*	7/2020	Ghodsi	.....	D24/108
D903,094	S	*	11/2020	Ghodsi	.....	D24/108

\* cited by examiner

*Primary Examiner* — Michelle E. Wilson

*Assistant Examiner* — Aula Soroush

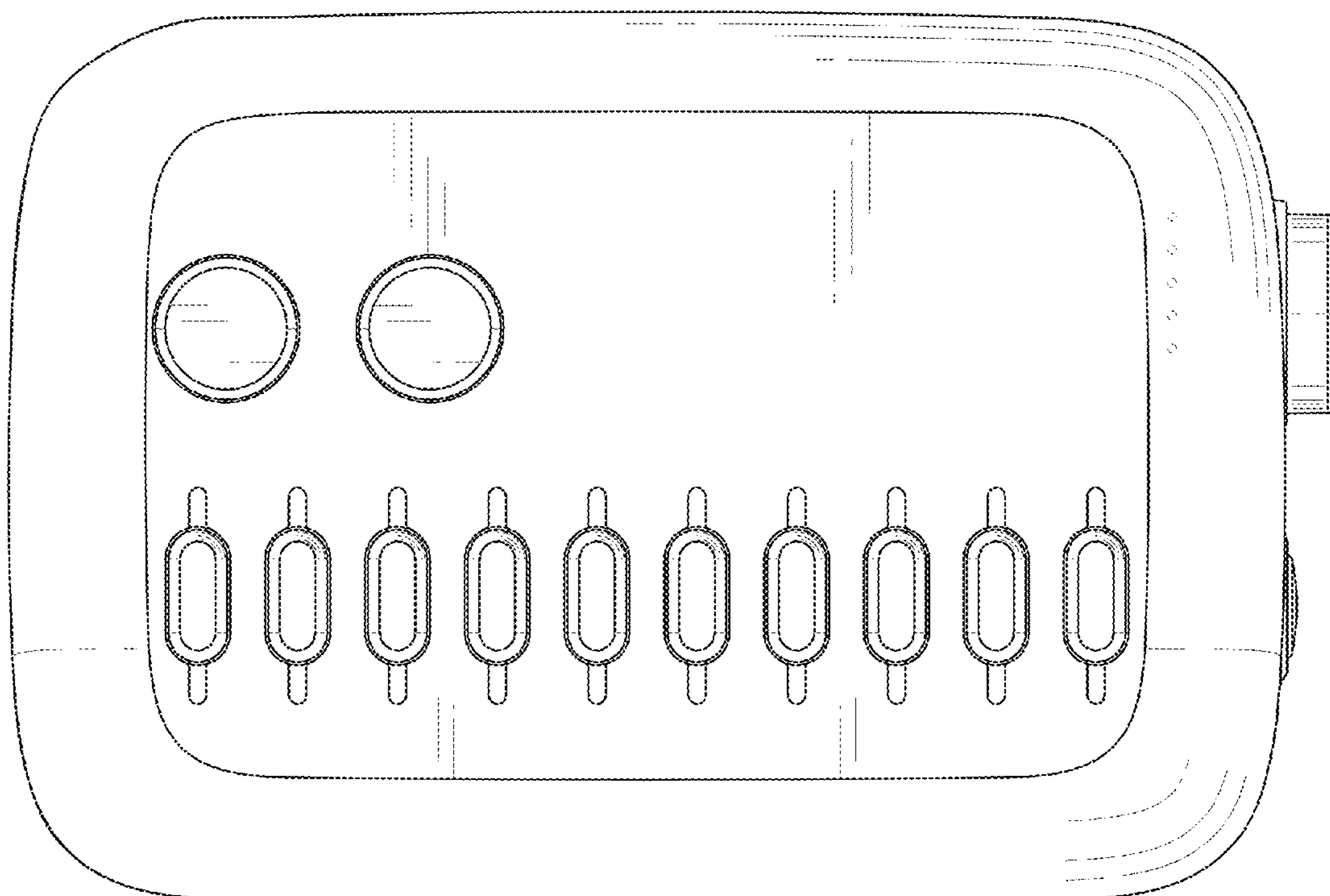
(57) **CLAIM**

I claim the ornamental design for an assisting instrument for sleep, as shown and described.

**DESCRIPTION**

FIG. 1 is a front view of an assisting instrument for sleep; FIG. 2 is a rear view thereof; FIG. 3 is a left-side view thereof; FIG. 4 is a right-side view thereof; FIG. 5 is a top view thereof; FIG. 6 is a bottom view thereof; FIG. 7 is a front perspective view thereof; and, FIG. 8 is a rear perspective view thereof. The broken lines depict portions of the assisting instrument for sleep in which the design is embodied that form no part of the claimed design.

**1 Claim, 8 Drawing Sheets**



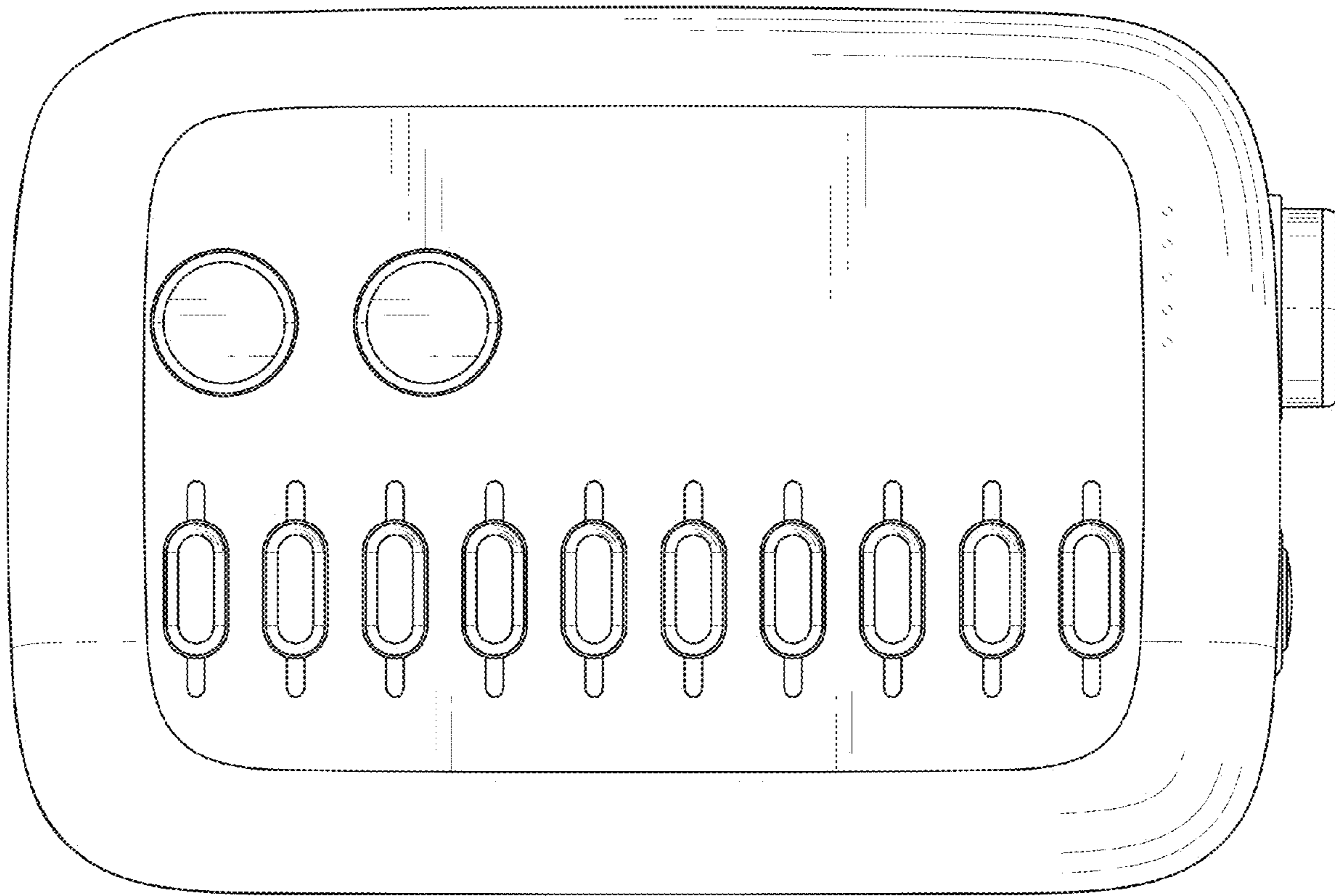


FIG. 1

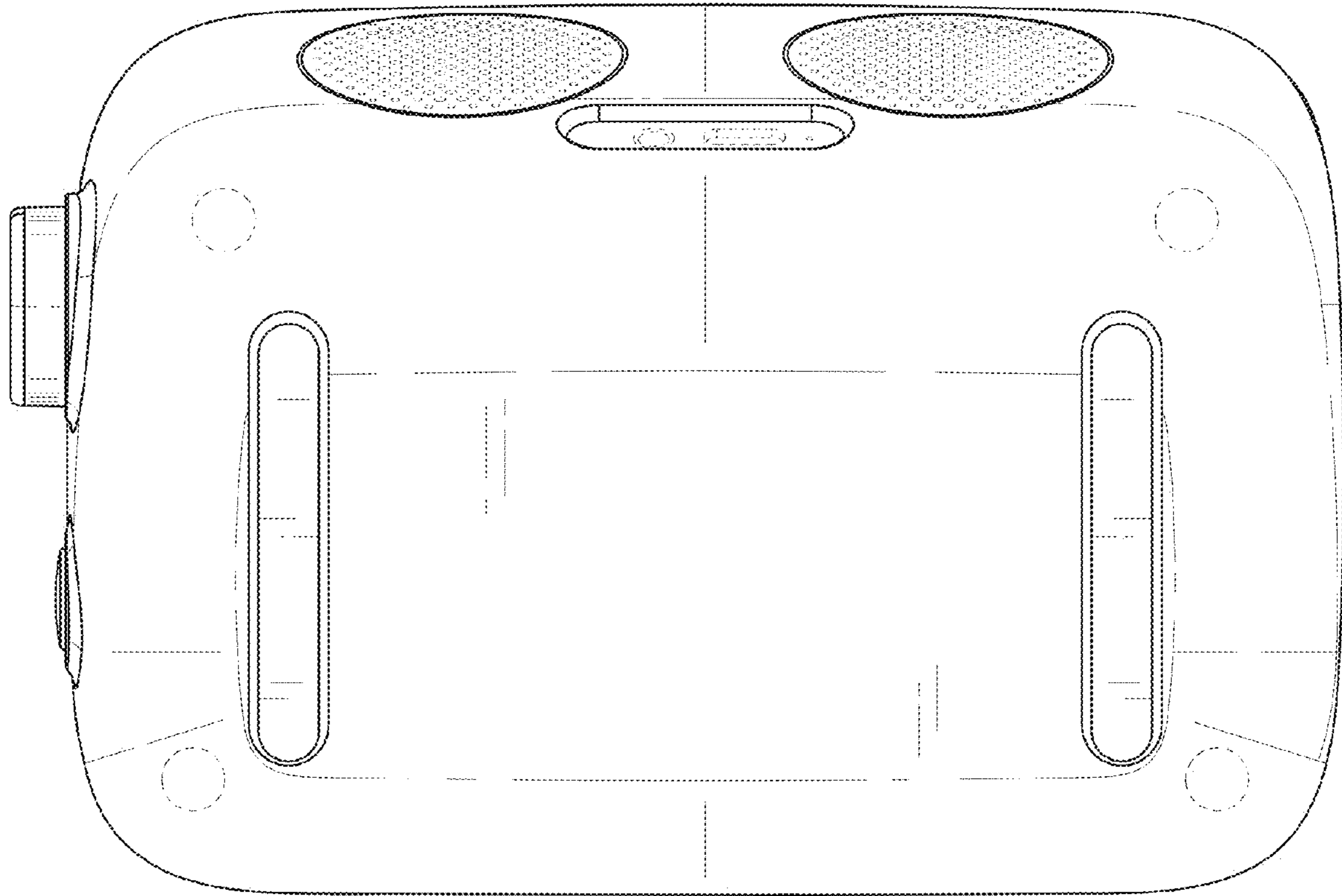


FIG. 2

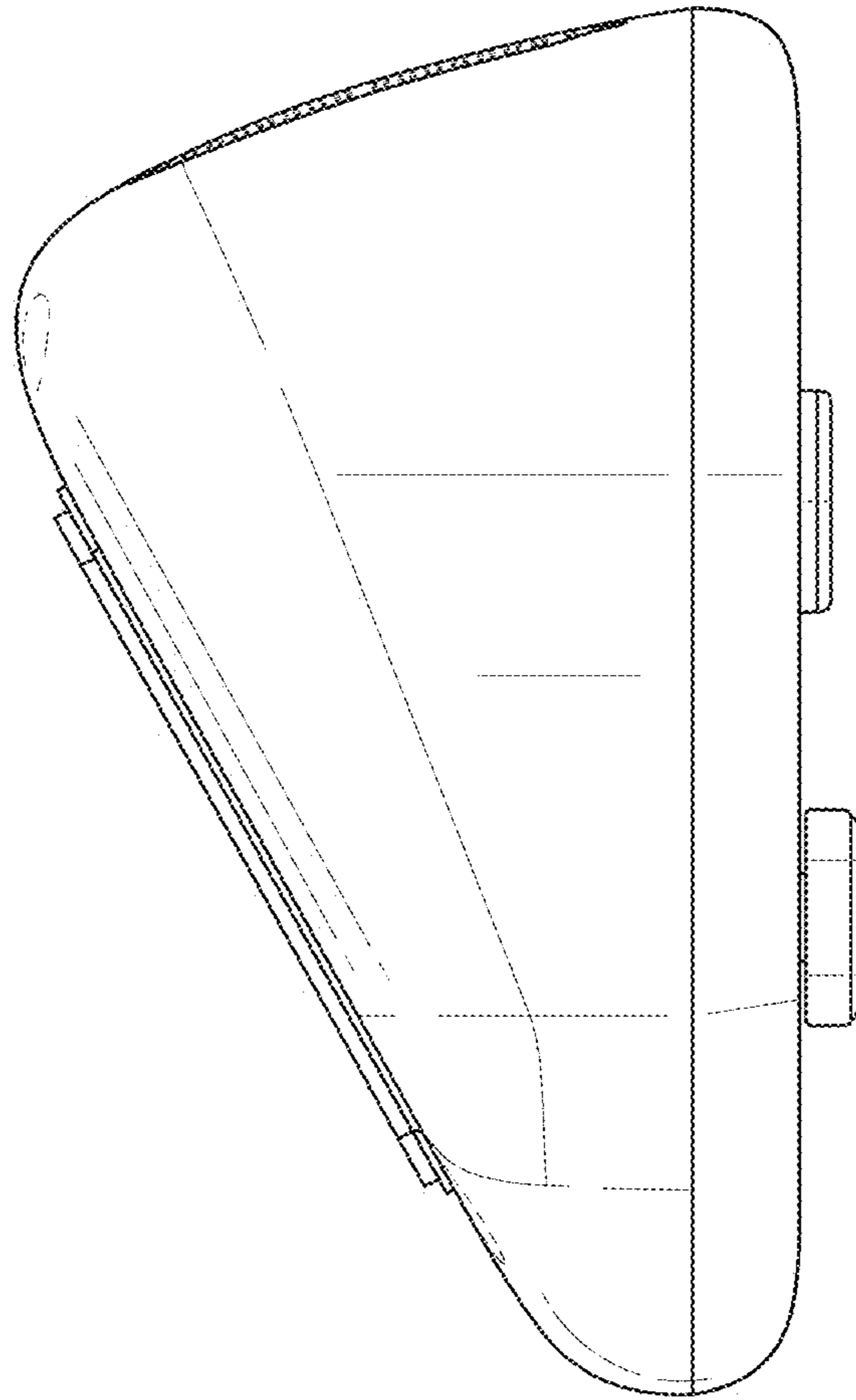


FIG. 3

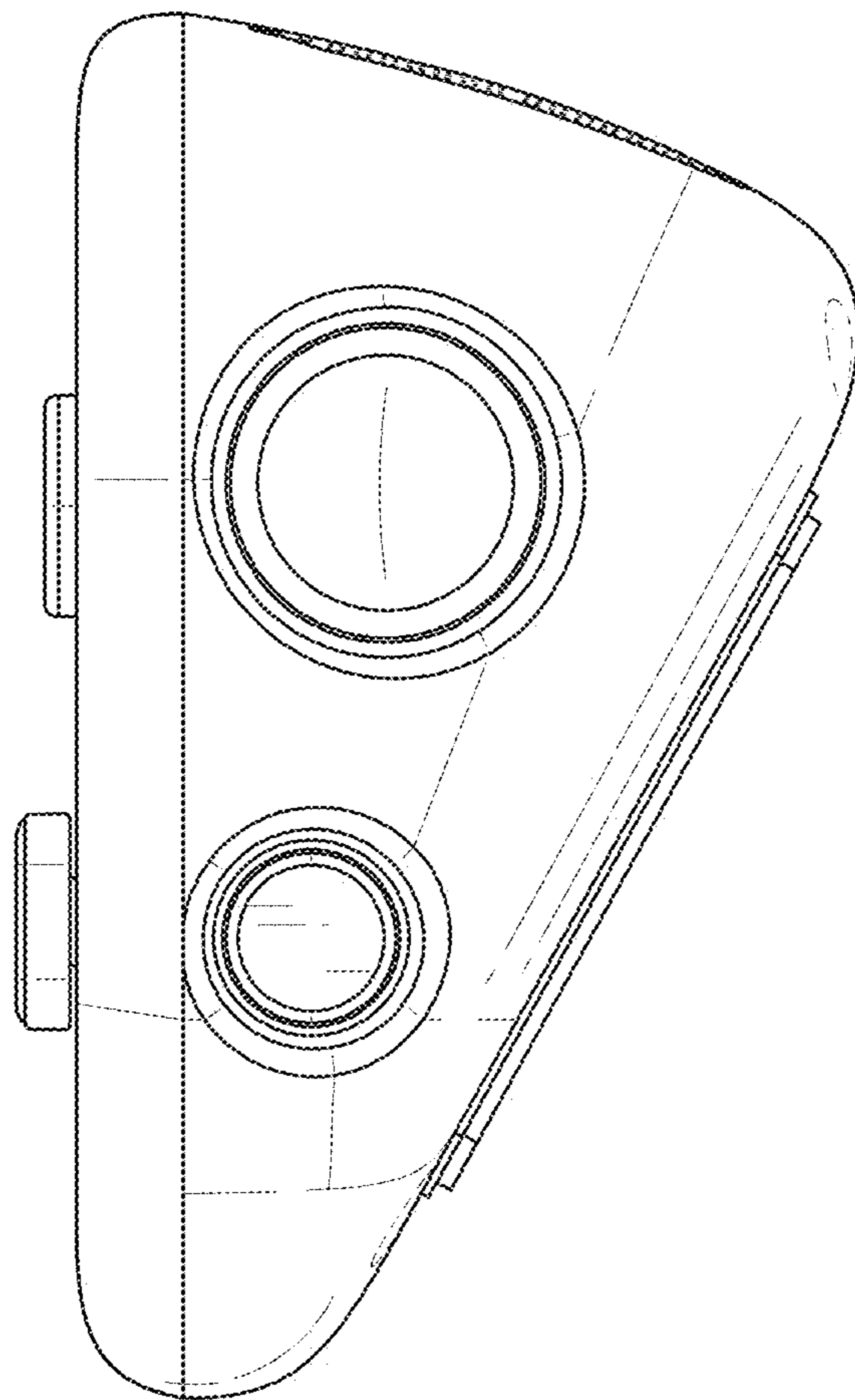


FIG. 4

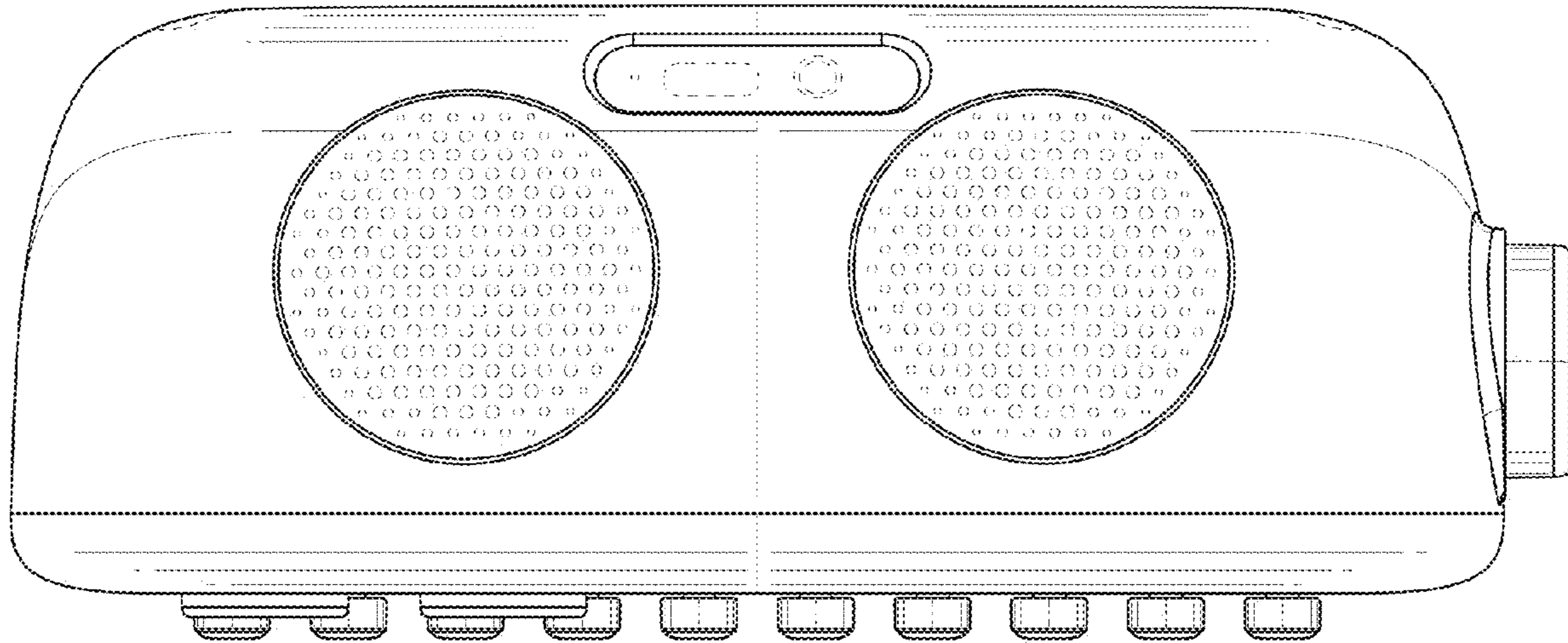


FIG. 5

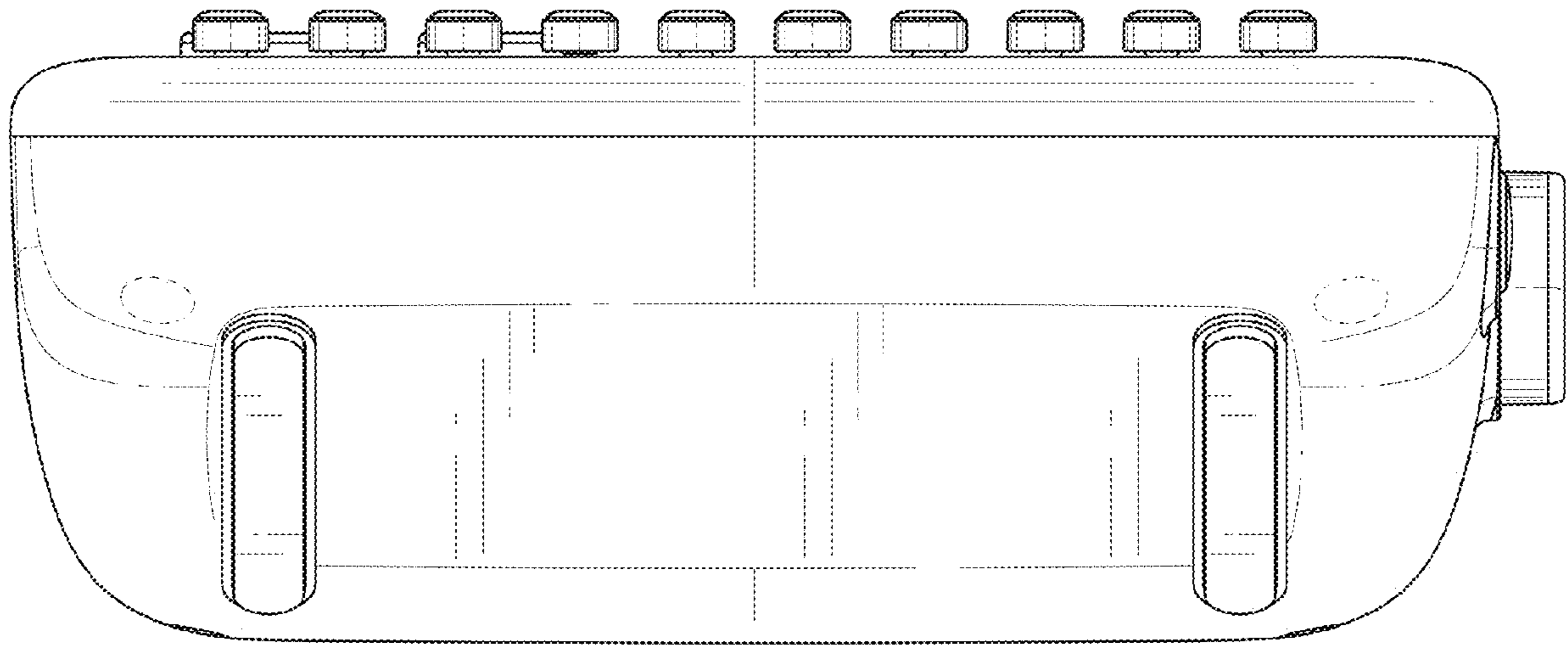


FIG. 6

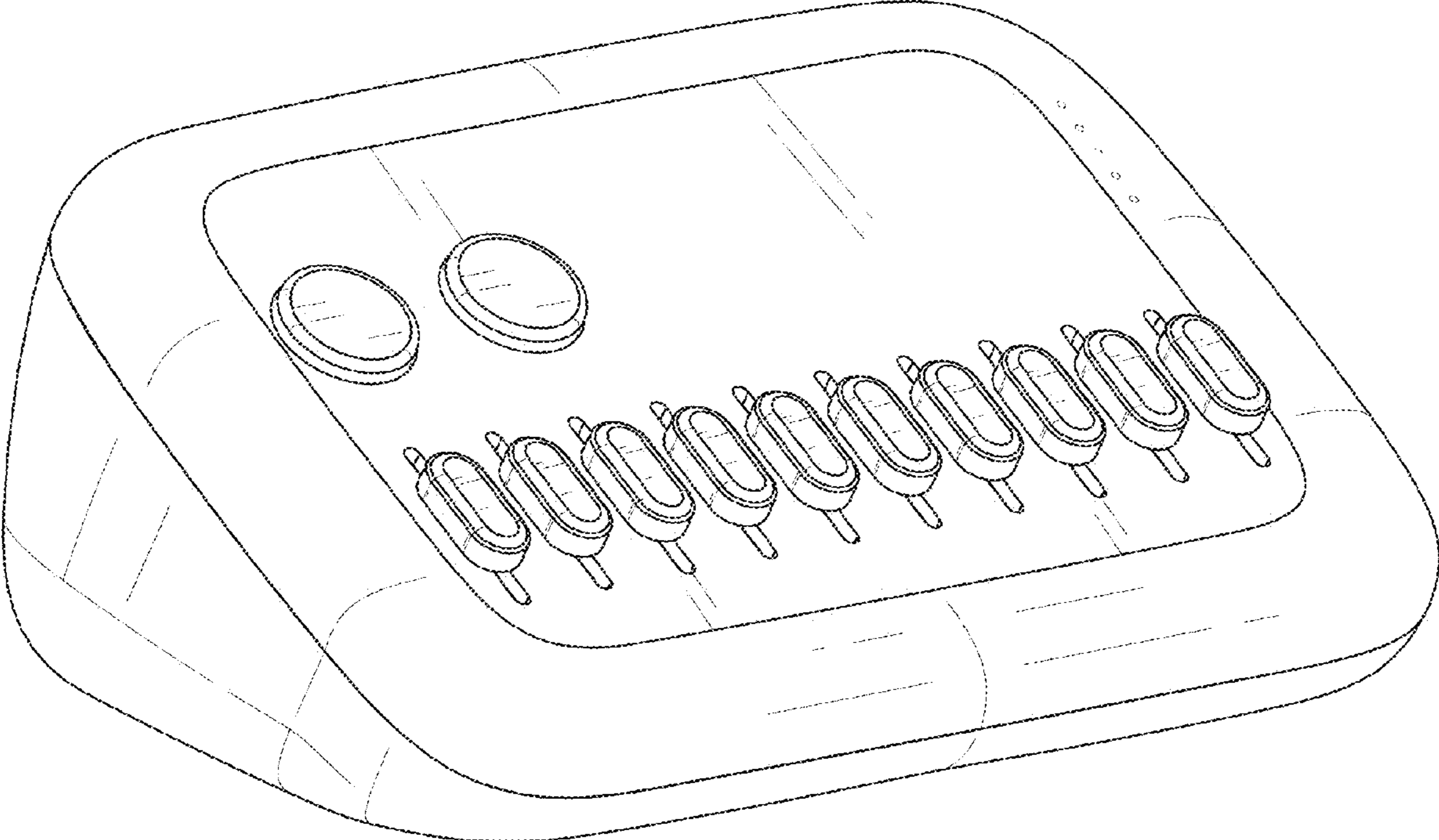


FIG. 7



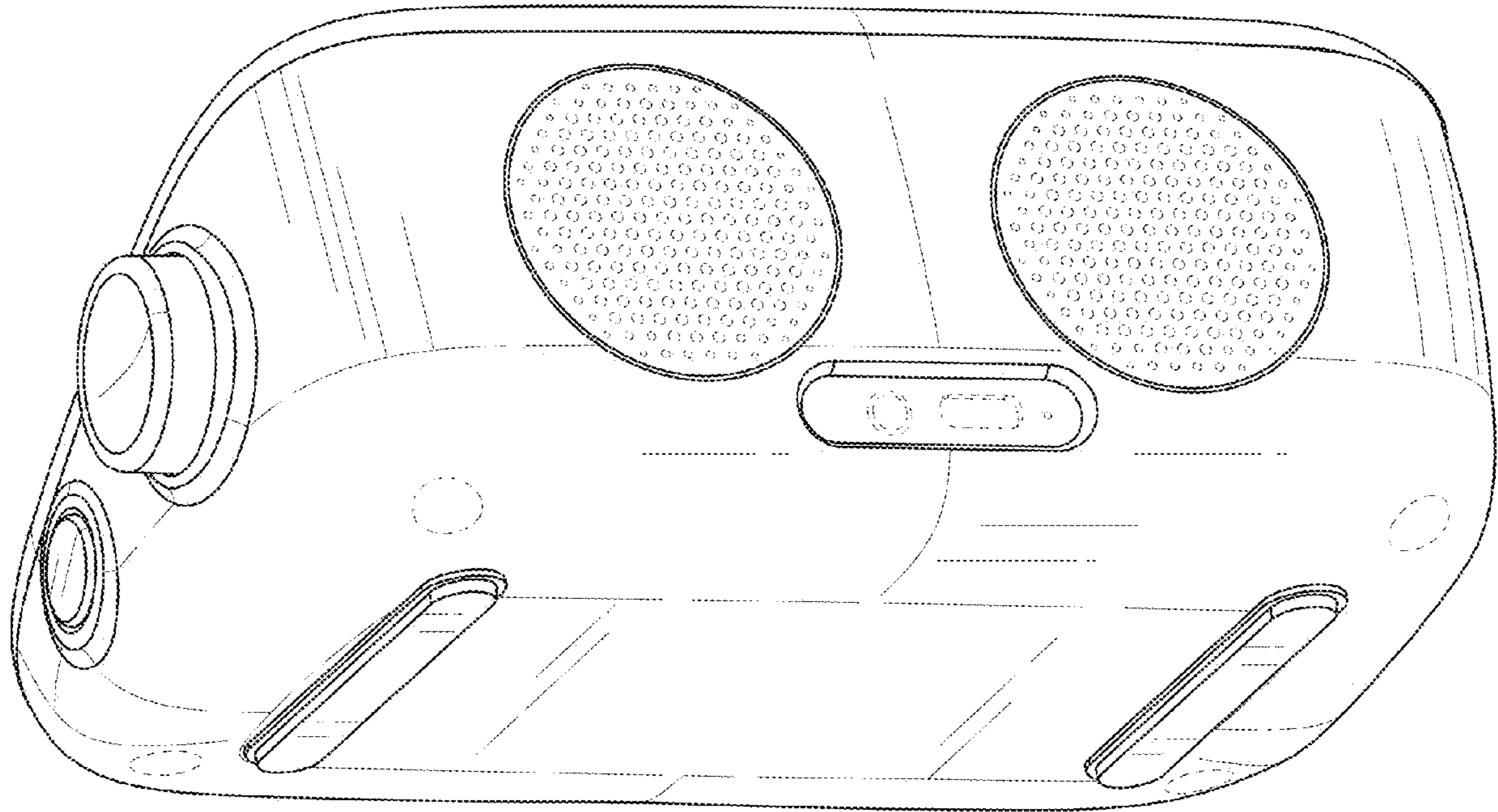


FIG. 8