



US00D933195S

(12) **United States Design Patent** (10) **Patent No.:** **US D933,195 S**
Malaker et al. (45) **Date of Patent:** **** Oct. 12, 2021**

(54) **FAN GRILLE** 2,800,069 A 7/1957 Smith
2,875,678 A 3/1959 Shepherd
(71) Applicant: **HOMEWERKS WORLDWIDE,** D185,175 S 5/1959 Schlumbohm
LLC, Lake Bluff, IL (US) 2,911,900 A 11/1959 Rudy
2,924,661 A 2/1960 Messeas, Jr.
(72) Inventors: **Michael Malaker, Gurnee, IL (US);** 2,963,956 A 12/1960 Hill
Huang Xiaoying, Panyu (CN); Jeffrey 2,966,550 A 12/1960 Goldberg et al.
Jon Pischke, Cary, IL (US); Zhang 2,987,258 A 6/1961 North
Ruilin, Foshan (CN) 3,002,676 A 10/1961 Papsdorf
3,045,579 A 7/1962 Jenn et al.
(73) Assignee: **Homewerks Worldwide, LLC, Lake** 3,064,548 A 11/1962 Field
Bluff, IL (US) 3,068,341 A 12/1962 Ortiz et al.
3,101,662 A 8/1963 Alldritt
3,194,952 A 7/1965 Wells
3,211,080 A 10/1965 Rader
(**) Term: **15 Years** (Continued)

(21) Appl. No.: **29/714,889**
(22) Filed: **Nov. 26, 2019**
(51) **LOC (13) Cl.** **23-03**
(52) **U.S. Cl.**
USPC **D23/412; D23/371; D23/385**
(58) **Field of Classification Search**
USPC **D23/314, 351, 353, 354, 364, 366,**
D23/370-376, 378, 381, 383, 385, 388,
D23/393, 395, 411, 412; D26/59
CPC **F24F 13/082; H04R 1/028**
See application file for complete search history.

FOREIGN PATENT DOCUMENTS

CA 2471905 7/2003
JP 04-20670 1/1992
(Continued)

Primary Examiner — Sharon S Oum
(74) *Attorney, Agent, or Firm* — Cozen O'Connor

(57) **CLAIM**

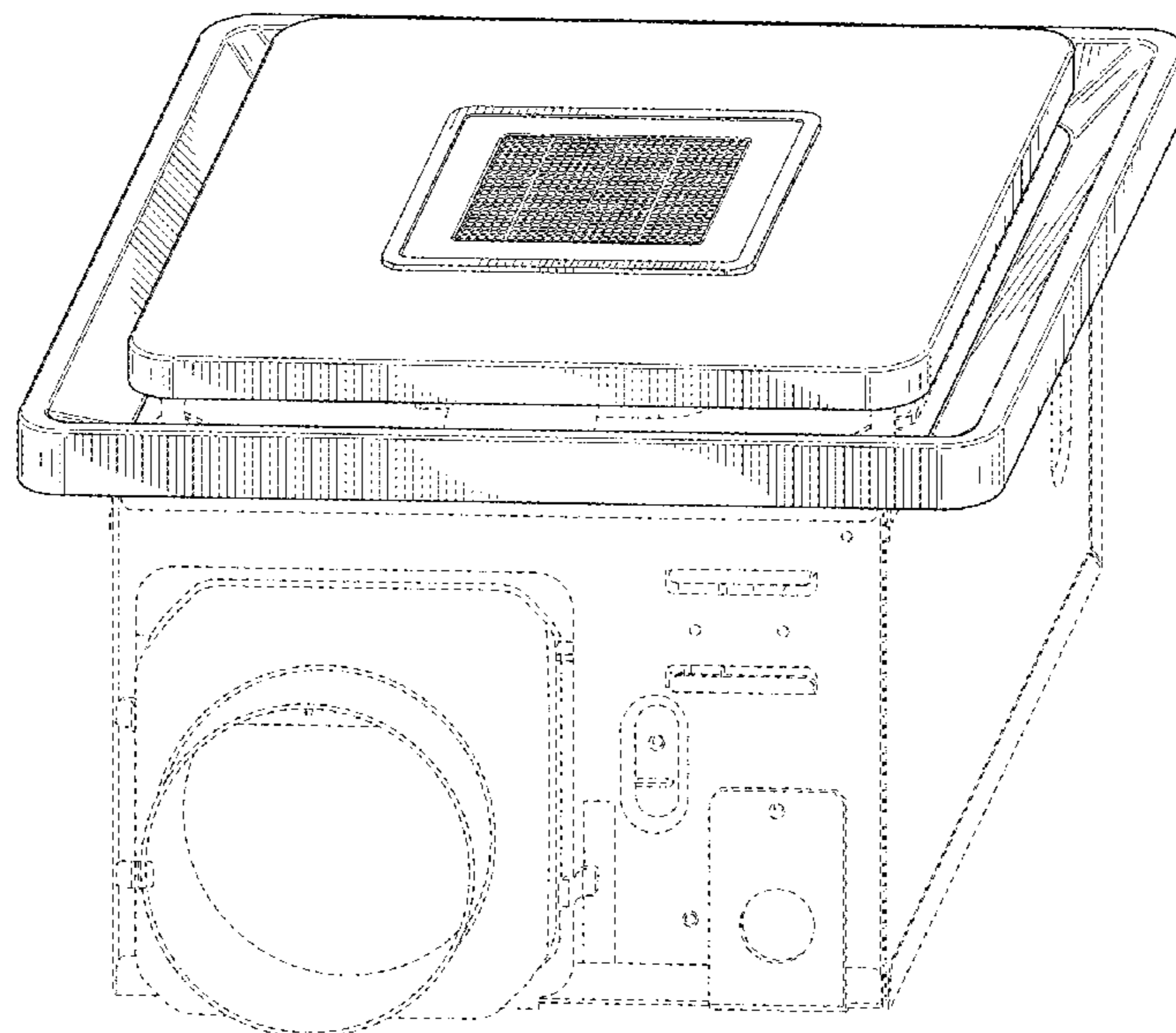
The ornamental design for a fan grille, as shown and described.

DESCRIPTION

FIG. 1 shows a front perspective view of a fan grille; FIG. 2 shows a front view thereof; FIG. 3 shows a left side view thereof; FIG. 4 shows a right side view thereof; FIG. 5 shows a bottom view thereof; FIG. 6 shows a top view thereof; and, FIG. 7 shows a rear view thereof. The broken lines illustrate environmental structure and portion of the fan grille that form no part of the claimed design.

(56) **References Cited**
U.S. PATENT DOCUMENTS
1,199,664 A 9/1916 Chambley
1,532,635 A 4/1925 Osbun
2,010,322 A 8/1935 Riddell
2,182,690 A 12/1939 Cole
2,189,008 A 2/1940 Kurth
2,278,581 A 4/1942 Dexter
2,359,021 A 9/1944 Campbell et al.
2,483,377 A 9/1949 Young
2,668,491 A 2/1954 Gerlitz
2,673,514 A 3/1954 Hanks
2,710,573 A 6/1955 Marker

1 Claim, 7 Drawing Sheets



(56)

References Cited

U.S. PATENT DOCUMENTS

3,212,425 A	10/1965	Hazen et al.	5,879,232 A	3/1999	Luter, II et al.
3,326,112 A	6/1967	Sadlow et al.	5,884,694 A	3/1999	Tanenbaum
3,332,334 A	7/1967	Melzer	5,909,534 A	6/1999	Ko
3,347,025 A	10/1967	Wiley	5,918,972 A	7/1999	Van Belle
3,438,180 A	4/1969	Klouda	5,934,783 A	8/1999	Yoshikawa
D215,675 S	10/1969	Yran	5,938,525 A	8/1999	Birdsong
3,570,387 A	3/1971	Eggers	D416,315 S	11/1999	Nanjo
3,572,234 A	3/1971	Schoenthaler	5,980,057 A	11/1999	Christie
3,577,710 A	5/1971	Feldman	5,996,727 A	12/1999	Blind et al.
3,606,593 A	9/1971	Steiner	6,060,979 A	5/2000	Eichsteadt
3,636,306 A	1/1972	Bumpus	6,087,938 A	7/2000	Gitelis et al.
3,665,838 A	5/1972	Shepherd	D432,226 S	10/2000	Orendorff
3,692,977 A	9/1972	Duhamel et al.	D433,116 S	10/2000	Han et al.
3,698,833 A	10/1972	Cann et al.	D434,751 S	12/2000	Sogabe et al.
3,701,895 A	10/1972	Sweetser	D437,194 S	2/2001	Rivas et al.
3,732,030 A	5/1973	Mullings	D437,405 S	2/2001	Schrank
3,743,439 A	7/1973	Cann	6,215,885 B1	4/2001	Geiger
3,785,271 A	1/1974	Joy	D444,777 S	7/2001	Bird et al.
3,788,207 A	1/1974	Doherty, II	D448,462 S	9/2001	Nanjo
3,832,679 A	8/1974	Foley et al.	6,321,869 B1	11/2001	Park
3,926,537 A	12/1975	Piper	D452,906 S	1/2002	Peng
3,952,638 A	4/1976	Felter et al.	D453,375 S	2/2002	Peng
4,073,597 A	2/1978	Barnhart et al.	6,345,685 B1	2/2002	Wells et al.
4,115,082 A	9/1978	Newell	D454,392 S	3/2002	Shapiro
4,142,227 A	2/1979	Aikens	6,361,432 B1	3/2002	Walker
D254,490 S	3/1980	Matsubara	D457,232 S	5/2002	Miura
D258,083 S	1/1981	Gammell	D457,616 S	5/2002	Yamanaka et al.
4,252,547 A	2/1981	Johnson	D461,236 S	8/2002	Chura et al.
D261,645 S	11/1981	Babb	D467,572 S	12/2002	Narita
D263,499 S	3/1982	Markowitz	D467,906 S	12/2002	Sadatsuki
4,319,898 A	3/1982	Maierhofer	D468,005 S	12/2002	Bailey
4,322,632 A	3/1982	Hart et al.	6,488,579 B2	12/2002	Larson et al.
4,335,647 A	6/1982	Timmons	6,494,599 B1	12/2002	Leen
4,336,749 A	6/1982	Barnhart et al.	D474,173 S	5/2003	Right et al.
4,382,400 A	5/1983	Stutzman	6,558,003 B2	5/2003	Mihara
4,385,550 A	5/1983	Steiner et al.	6,601,247 B2	8/2003	Shimizu
4,385,911 A	5/1983	Popeil et al.	6,634,768 B2	10/2003	McKenzie et al.
D270,559 S	9/1983	Clivio et al.	D481,822 S	11/2003	Wang
4,406,216 A	9/1983	Hott et al.	D484,114 S	12/2003	Gansterer
4,510,851 A	4/1985	Sarnosky et al.	D490,147 S	5/2004	Miura
D279,310 S	6/1985	Murphy	6,769,509 B2	8/2004	Harwood
4,550,796 A	11/1985	Tomita	D497,900 S	11/2004	Motoishi
D287,276 S	12/1986	Little, Jr.	D497,984 S *	11/2004	Tokunaga D23/364
D287,888 S	1/1987	Castor et al.	D510,996 S	10/2005	Vladika
D288,007 S	1/1987	Jonas et al.	6,979,169 B2	12/2005	Penlesky et al.
D289,894 S	5/1987	Ohtsuji et al.	D519,661 S	4/2006	Young
4,671,284 A	6/1987	Wilson et al.	D521,145 S	5/2006	Craw et al.
D291,079 S	7/1987	Ohtsuji	7,066,613 B2	6/2006	Vishwamitra
4,681,024 A	7/1987	Ivey	D531,301 S	10/2006	Sinur et al.
D291,988 S	9/1987	Ishizaki	D533,537 S	12/2006	Reardon et al.
4,716,409 A	12/1987	Hart et al.	D533,956 S	12/2006	Vladika
D295,741 S	5/1988	Keitoku	D535,431 S	1/2007	Roland
4,814,961 A	3/1989	O'Brien et al.	D535,433 S	1/2007	Craw et al.
4,817,163 A	3/1989	Stastny	D539,888 S	4/2007	Tsuji
4,867,640 A	9/1989	Penlesky et al.	D540,619 S	4/2007	Kim
D308,419 S	6/1990	Mason	D541,927 S	5/2007	Yamanaka et al.
5,058,490 A	10/1991	Sodec et al.	D543,270 S	5/2007	Miura et al.
5,068,773 A	11/1991	Toth	D545,420 S *	6/2007	Jacobsen D23/314
D323,327 S	1/1992	Davidson	D551,655 S	9/2007	Kim
D325,770 S	4/1992	Haug et al.	D555,777 S	11/2007	Aveldson et al.
D334,119 S	3/1993	Giugiaro	D556,855 S	12/2007	Mullenmeister et al.
5,278,432 A	1/1994	Ignatius et al.	D559,948 S	1/2008	Bickler et al.
5,448,495 A	9/1995	Liu	D559,953 S	1/2008	Bickler et al.
5,507,691 A	4/1996	Nishizawa	D562,937 S	2/2008	Schönherr et al.
D372,775 S	8/1996	Schuler	D565,716 S	4/2008	Jacak
D374,927 S	10/1996	Chabot	D565,717 S	4/2008	Jacak
5,628,558 A	5/1997	Iacono et al.	D565,722 S	4/2008	Hollingsworth et al.
5,664,872 A	9/1997	Spearman et al.	D566,257 S	4/2008	Deng
D386,244 S	11/1997	Caron et al.	D566,262 S	4/2008	Zakula et al.
D387,859 S	12/1997	Ukai	D567,352 S	4/2008	Hollingsworth et al.
D390,757 S	2/1998	Wold et al.	D567,353 S	4/2008	Hollingsworth et al.
5,734,131 A	3/1998	Sakamoto	D567,354 S	4/2008	Jacak et al.
D394,101 S	5/1998	Hayashi et al.	D567,355 S	4/2008	Zakula et al.
D394,863 S	6/1998	Saer	D567,597 S	4/2008	Shamoon
D403,787 S	1/1999	Van Belle	D567,931 S	4/2008	Hollingsworth et al.
			D567,932 S	4/2008	Hollingsworth et al.
			D567,933 S	4/2008	Hollingsworth et al.
			D568,460 S	5/2008	Jacak et al.
			D569,492 S	5/2008	Zakula et al.

(56)

References Cited

U.S. PATENT DOCUMENTS

D570,465 S	6/2008	Miyake et al.	8,666,104 B2	3/2014	Ively et al.
D571,355 S	6/2008	Koizumi	D701,952 S	4/2014	Hoshino et al.
7,380,292 B1	6/2008	Harris	8,720,966 B2	5/2014	Stein
D574,478 S	8/2008	Miyake et al.	D706,916 S *	6/2014	Penlesky D23/370
D575,386 S	8/2008	Jacak et al.	D707,794 S	6/2014	Hanna
D575,387 S	8/2008	Zakula et al.	8,763,750 B1	7/2014	Berkman et al.
D575,388 S	8/2008	Deng	D710,336 S	8/2014	Aarrestad
D577,101 S	9/2008	Kong et al.	8,814,513 B2	8/2014	Yang et al.
D577,805 S	9/2008	Adrian et al.	D713,950 S	9/2014	Jepson
D580,542 S *	11/2008	Miyake D23/385	D713,951 S	9/2014	Jepson
D581,508 S	11/2008	Miyake et al.	D713,952 S	9/2014	Jepson
D581,510 S	11/2008	Albano	D713,953 S	9/2014	Jepson
D581,516 S	11/2008	Koury et al.	D725,624 S	3/2015	Carney
D581,517 S	11/2008	Koury et al.	8,967,832 B2	3/2015	Zakula et al.
7,455,500 B2	11/2008	Penlesky et al.	9,004,723 B2	4/2015	Zakula et al.
7,455,583 B2	11/2008	Taya	D728,766 S	5/2015	Kim
7,467,881 B2	12/2008	McMillen	9,057,519 B1	6/2015	Paynton et al.
D584,111 S	1/2009	Eide et al.	D733,682 S	7/2015	Kelly et al.
D584,393 S	1/2009	Miyake et al.	9,103,104 B1	8/2015	Tom
D584,394 S	1/2009	Miyake et al.	D745,652 S *	12/2015	Berkman D23/411
D585,975 S	2/2009	Guthrie	D752,199 S	3/2016	Berkman
D586,455 S	2/2009	Guthrie	D755,160 S	5/2016	Ponce
D586,456 S	2/2009	Guthrie	D763,422 S	8/2016	Ueno
D588,577 S	3/2009	Blanchette	D767,748 S	9/2016	Nakai
D589,605 S	3/2009	Reedy	D777,897 S	1/2017	Rizzi
D589,940 S	4/2009	Jacobs	D784,512 S	4/2017	Jonas
D595,402 S	6/2009	Miyake et al.	D822,190 S *	7/2018	Niki D23/351
7,553,039 B2	6/2009	Harris et al.	D822,811 S *	7/2018	Niki D23/351
D603,031 S	10/2009	Kashimoto	D891,680 S *	7/2020	Patel D26/89
7,606,379 B2	10/2009	Ivey et al.	D892,296 S *	8/2020	Puffer D23/385
7,607,935 B2	10/2009	Dahl	D899,582 S *	10/2020	Appiahene-Agyei D23/412
D606,641 S	12/2009	Kim et al.	2002/0150274 A1	10/2002	Winget
D609,800 S	2/2010	Chen	2003/0031330 A1	2/2003	Kim
7,683,777 B2	3/2010	Macaluso et al.	2003/0100258 A1	5/2003	Donnelly
D617,441 S	6/2010	Koury et al.	2003/0162492 A1	8/2003	Cafferro et al.
D617,889 S *	6/2010	Miyake D23/385	2003/0220068 A1	11/2003	Orendorff
D618,782 S	6/2010	Zakula	2003/0220069 A1	11/2003	Orendorff
D623,265 S	9/2010	Reynoso	2003/0220070 A1	11/2003	Orendorff
D623,721 S	9/2010	Reynoso	2004/0107271 A1	6/2004	Ahn et al.
7,844,060 B2	11/2010	Zulkowski	2004/0179710 A1	9/2004	Farinelli et al.
D630,706 S	1/2011	Giggs et al.	2005/0186993 A1	8/2005	Yueh
D631,528 S	1/2011	Wang	2005/0286546 A1	12/2005	Bassoli et al.
7,862,194 B2	1/2011	Seade	2006/0060415 A1	3/2006	Radu et al.
D632,776 S	2/2011	Dos Anjos	2006/0072776 A1	4/2006	Vishwamitra
7,881,565 B2	2/2011	Kilic et al.	2006/0262949 A1	11/2006	Cho et al.
7,881,656 B2	2/2011	Khedouri et al.	2007/0008711 A1	1/2007	Kim
D635,238 S	3/2011	Zakula et al.	2007/0064433 A1	3/2007	Wright
D636,069 S	4/2011	LeMay et al.	2007/0092088 A1	4/2007	Change
D636,482 S	4/2011	LeMay et al.	2007/0189553 A1	8/2007	Holden, III
D639,385 S	6/2011	Flowers et al.	2007/0259617 A1	11/2007	Craig
8,042,961 B2	10/2011	Massara et al.	2008/0069686 A1	3/2008	Masaki et al.
D653,323 S	1/2012	Jacak	2008/0109550 A1	5/2008	Tedesco et al.
D654,998 S	2/2012	Zakula et al.	2008/0182505 A1	7/2008	Oosterhuis
D655,403 S	3/2012	Zakula et al.	2008/0225510 A1	9/2008	Rocha
D657,036 S	4/2012	Vetu	2008/0226112 A1	9/2008	Lin
D662,175 S	6/2012	Flowers et al.	2008/0298045 A1	12/2008	Wright
D662,176 S	6/2012	Flowers et al.	2009/0061757 A1	3/2009	Rimmer et al.
D664,249 S	7/2012	Wang et al.	2009/0170421 A1	7/2009	Adrian et al.
8,218,805 B2	7/2012	Hornback	2009/0196016 A1	8/2009	Massara et al.
D665,225 S *	8/2012	Zakula D7/409	2010/0009621 A1	1/2010	Hsieh
D665,478 S	8/2012	Farley	2010/0021294 A1	1/2010	Yeh
D666,707 S	9/2012	Eikhoff et al.	2010/0127607 A1	5/2010	Harris
8,297,402 B2	10/2012	Stewart et al.	2010/0190607 A1	7/2010	Widerman et al.
8,300,086 B2	10/2012	Marlin et al.	2010/0199413 A1	8/2010	Pollack et al.
8,365,861 B2	2/2013	Massini et al.	2010/0308657 A1	12/2010	Bucher
8,382,332 B2	2/2013	Zakula et al.	2011/0047686 A1	3/2011	Moore
D678,468 S	3/2013	Hanna	2011/0075396 A1	3/2011	Sun
D678,995 S	3/2013	Hoshino et al.	2011/0080733 A1	4/2011	Wang
D681,794 S	5/2013	Lin et al.	2011/0230116 A1	9/2011	Balik
8,434,916 B2	5/2013	Craw et al.	2011/0248835 A1	10/2011	Speegle et al.
D685,346 S	7/2013	Szymanski	2011/0306299 A1	12/2011	Wells
D685,347 S	7/2013	Szymanski	2011/0317861 A1	12/2011	Haase
8,485,696 B2	7/2013	Pringle et al.	2012/0039483 A1	2/2012	Burke et al.
D695,385 S	12/2013	McNicholas	2012/0087125 A1	4/2012	Liu
D697,046 S	1/2014	Hanna	2012/0087128 A1	4/2012	Zakula et al.
			2012/0171942 A1	7/2012	Herzer
			2012/0294472 A1	11/2012	Hudson et al.
			2013/0062437 A1	3/2013	Hanna et al.
			2013/0084793 A1	4/2013	Yang et al.

(56)

References Cited

U.S. PATENT DOCUMENTS

2013/0149115	A1	6/2013	Chang et al.
2013/0302153	A1	11/2013	Liu
2014/0053793	A1	2/2014	Sullivan et al.
2014/0099195	A1	4/2014	Jun
2014/0141709	A1	5/2014	Hammer
2014/0177901	A1	6/2014	Berkman et al.
2014/0183279	A1	7/2014	Hanna et al.
2014/0192513	A1	7/2014	Yim et al.
2014/0233786	A1	8/2014	Sumitani et al.
2014/0254857	A1	9/2014	Berkman et al.
2014/0268650	A1	9/2014	Tsai
2014/0360805	A1	12/2014	Berkman
2014/0364050	A1	12/2014	McIver
2015/0031282	A1	1/2015	Nagan
2015/0125292	A1	5/2015	Karst
2015/0139476	A1	5/2015	Yu
2018/0180320	A1*	6/2018	Maeda F24F 7/007

FOREIGN PATENT DOCUMENTS

JP	04-49381	2/1992
JP	05-119784	5/1993
JP	05-230853	9/1993
JP	2001-157642	6/2001
JP	2004-301438	10/2004
JP	2008-164206	7/2008
JP	2008-190766	8/2008

* cited by examiner

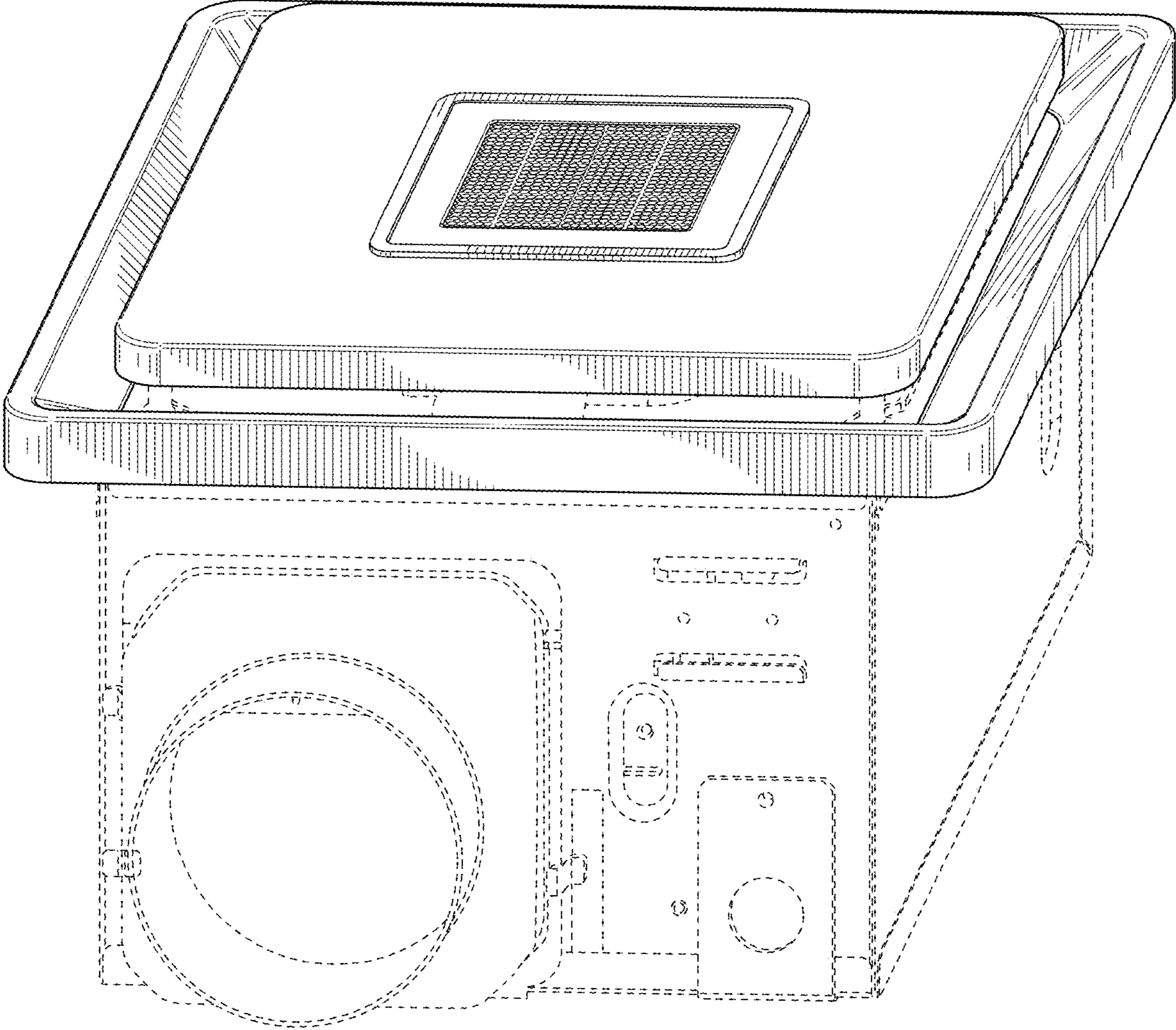


FIG. 1

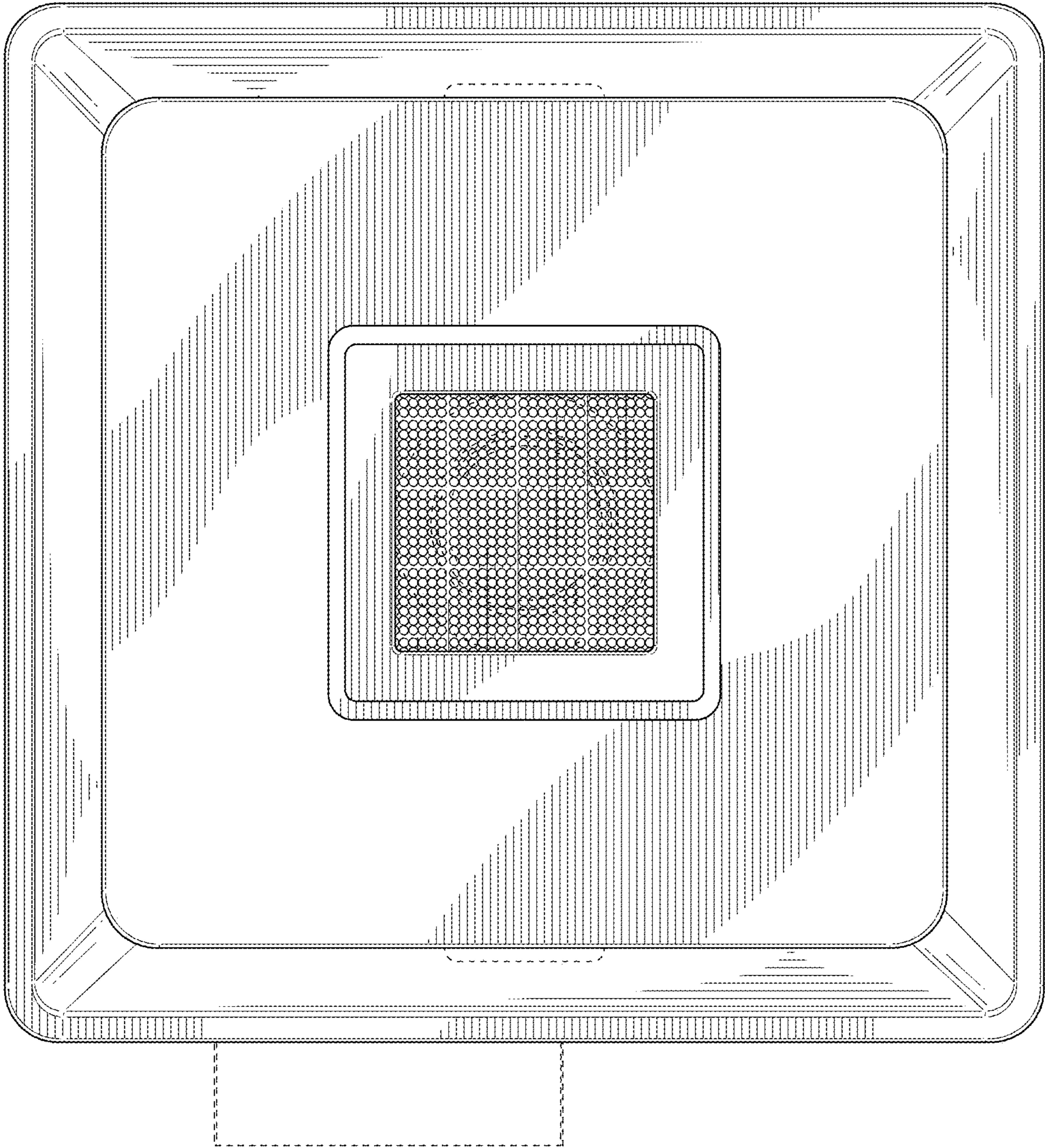


FIG. 2

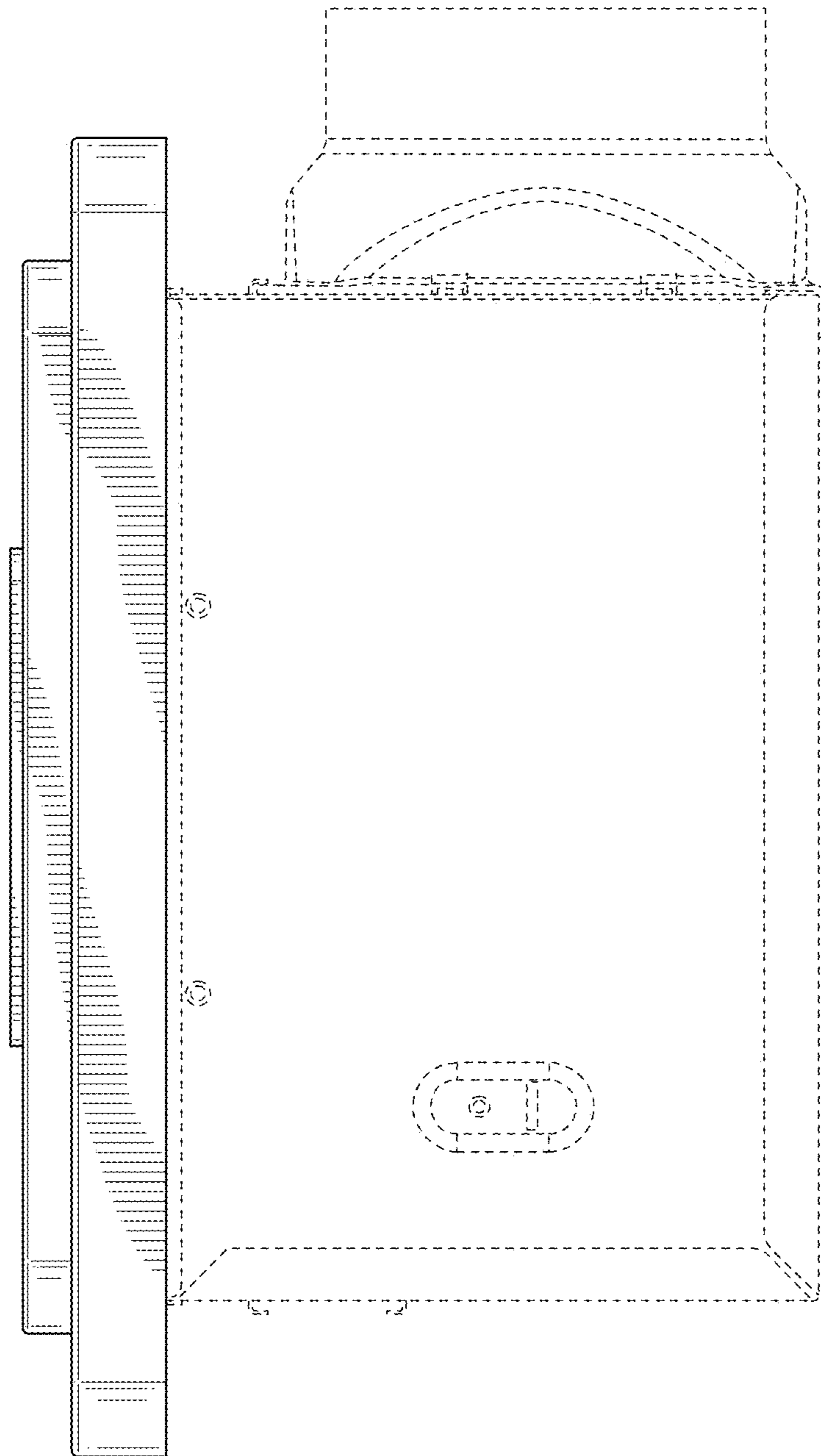


FIG. 3

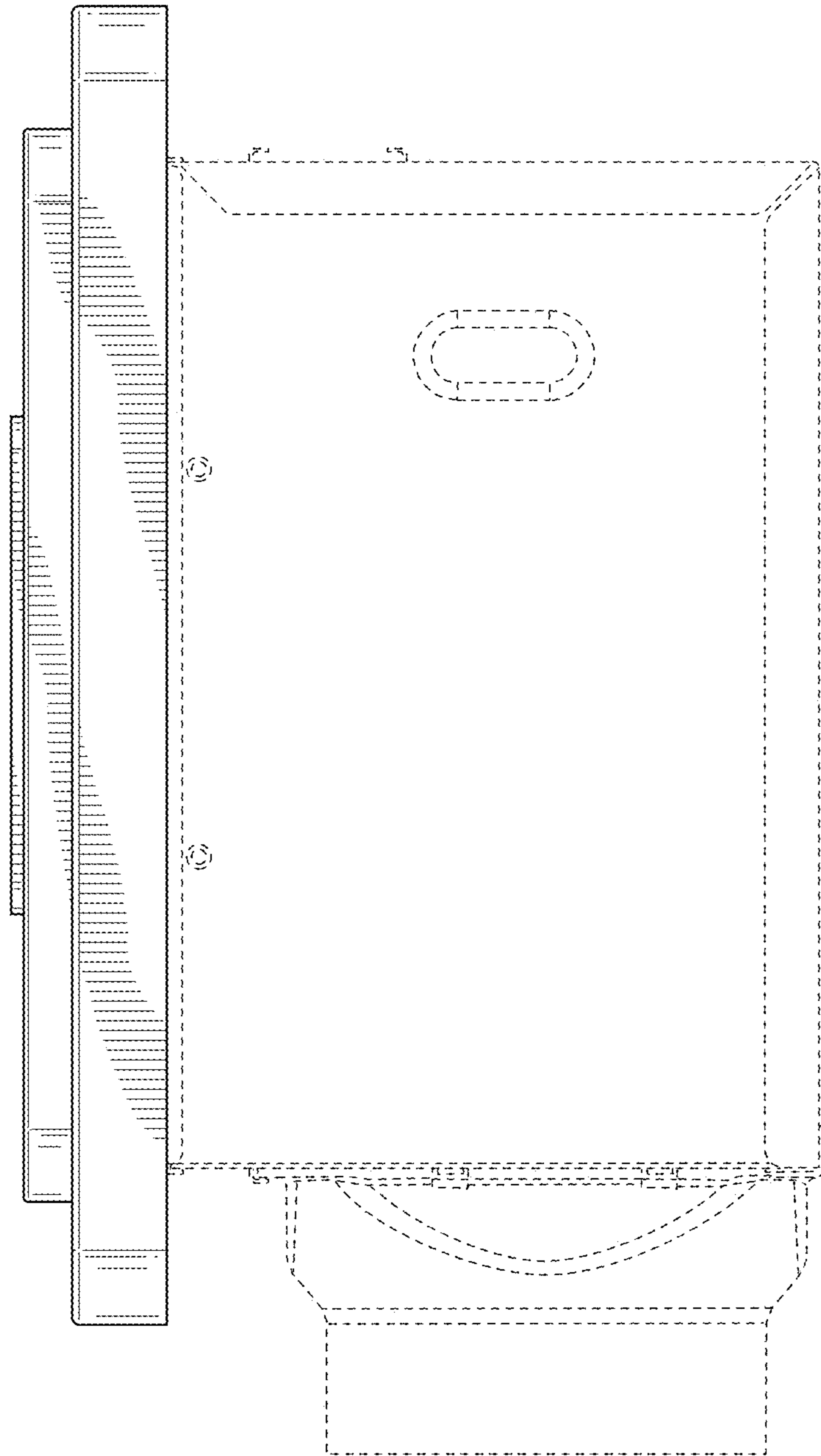


FIG. 4

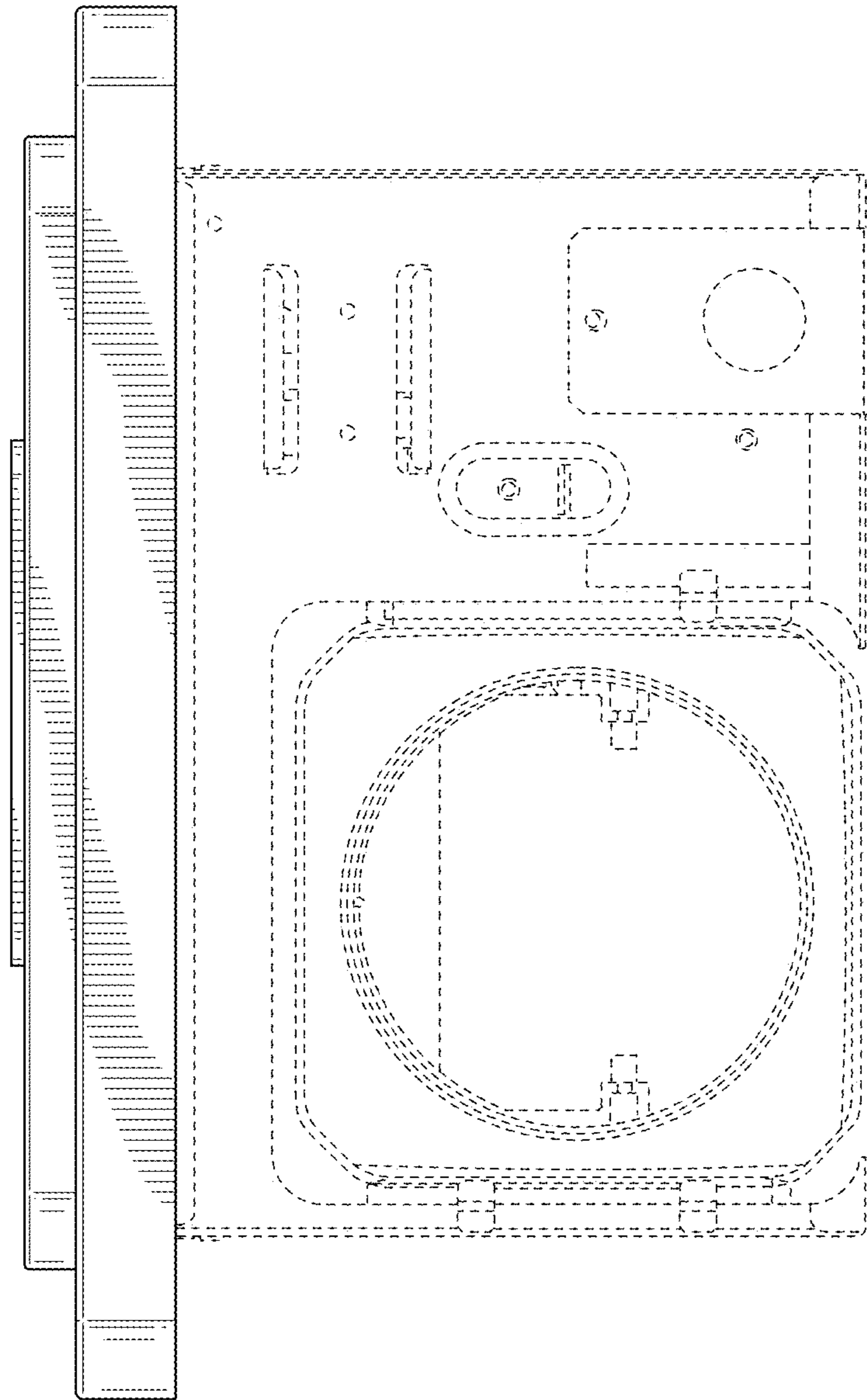


FIG. 5

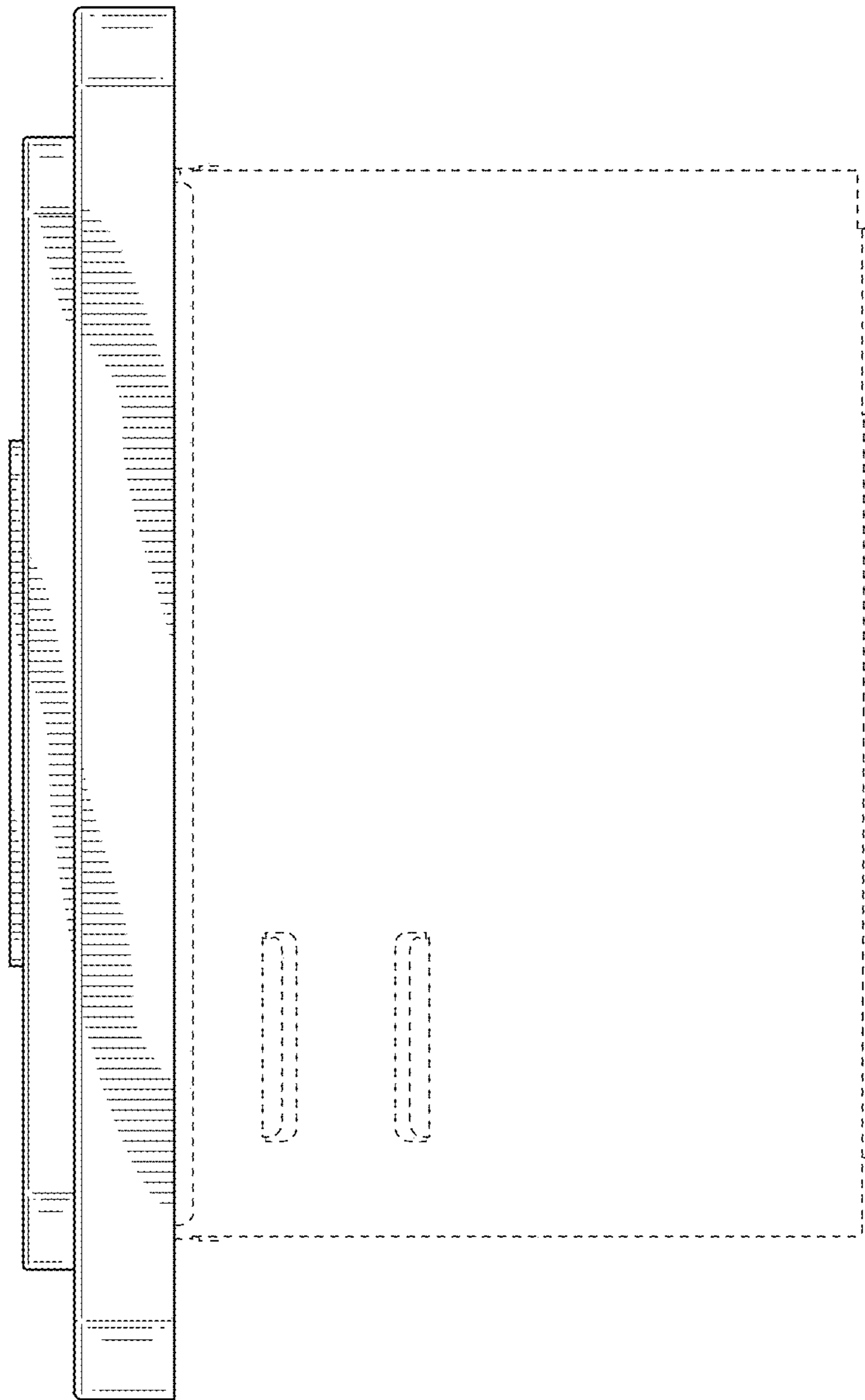


FIG. 6

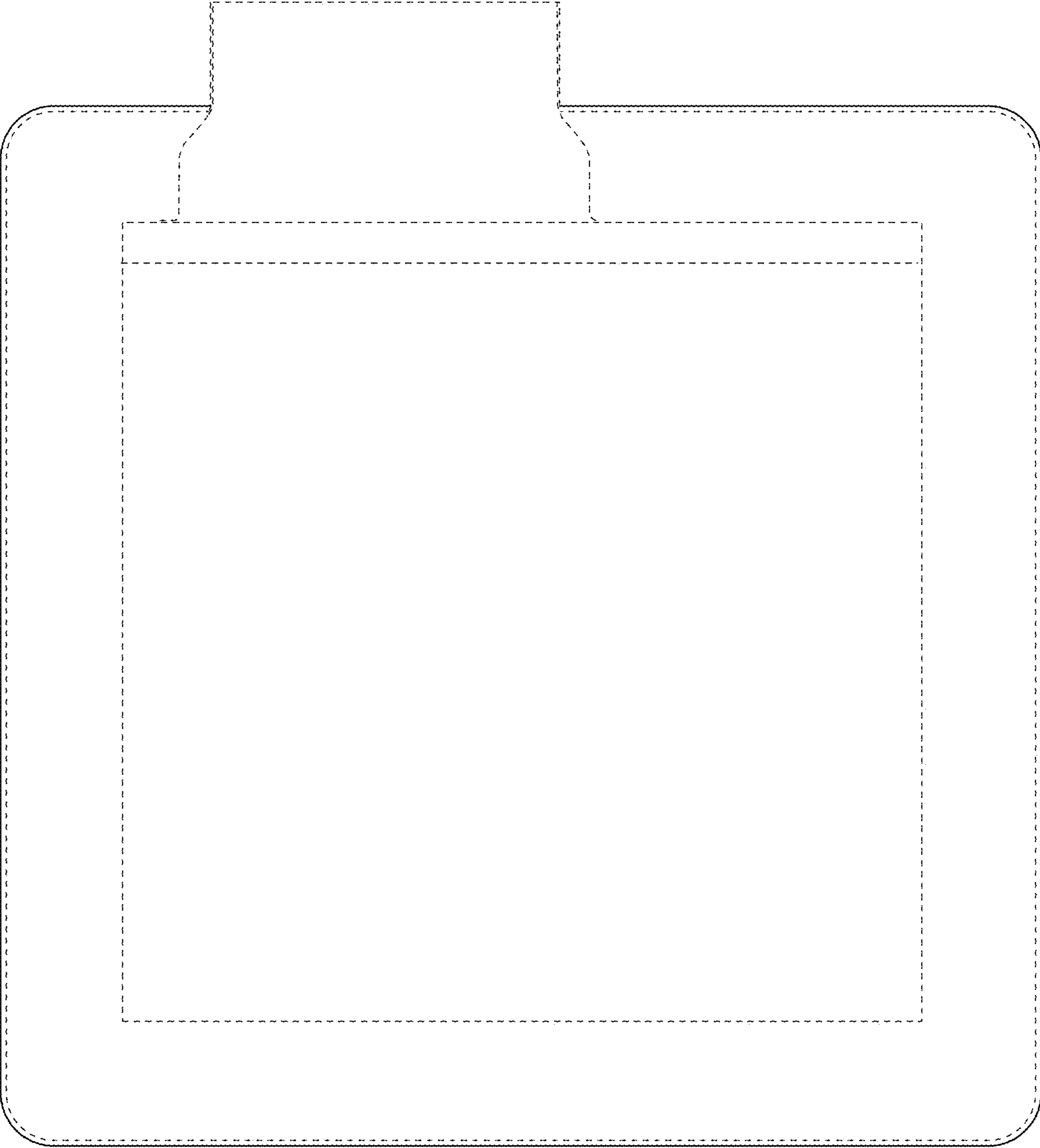


FIG. 7