



US00D933193S

(12) **United States Design Patent**
Haggar

(10) **Patent No.:** **US D933,193 S**

(45) **Date of Patent:** **** *Oct. 12, 2021**

(54) **CEILING FAN MOTOR HOUSING**

(71) Applicant: **HUNTER FAN COMPANY,**
Memphis, TN (US)

(72) Inventor: **Alexander Jonathan Haggar,**
Memphis, TN (US)

(73) Assignee: **Hunter Fan Company,** Memphis, TN
(US)

(*) Notice: This patent is subject to a terminal disclaimer.

(**) Term: **15 Years**

(21) Appl. No.: **29/694,613**

(22) Filed: **Jun. 12, 2019**

Related U.S. Application Data

(63) Continuation of application No. 29/608,177, filed on Jun. 20, 2017, now Pat. No. Des. 855,788.

(51) **LOC (13) Cl.** **23-03**

(52) **U.S. Cl.**
USPC **D23/411; D26/59**

(58) **Field of Classification Search**
USPC D23/336, 370–380, 383–386, 411;
D26/59; D21/487, 488
CPC F04D 25/088; F04D 29/38; F04D 29/384;
F04D 29/386; F21V 33/0096
See application file for complete search history.

(56) **References Cited**

U.S. PATENT DOCUMENTS

D297,974 S	10/1988	Sonneman
D314,618 S	2/1991	Yen
D328,491 S	8/1992	Markwardt
D357,978 S	5/1995	Young
D453,216 S	1/2002	Gajewski
D544,979 S	6/2007	Hartmann, Jr. et al.

D561,374 S	2/2008	Hartmann, Jr. et al.
D565,230 S	3/2008	Hetfield et al.
D584,396 S	1/2009	Bucher et al.
D594,543 S	6/2009	Pan
D595,004 S	6/2009	Pan
D599,461 S	9/2009	Ertze
D605,751 S	12/2009	Yang
D607,600 S	1/2010	Keith
D609,799 S	2/2010	Lee
D627,456 S	11/2010	Wang
D628,687 S	12/2010	Yao

(Continued)

OTHER PUBLICATIONS

www.montecarlofans.com/33062152-Clarity—Rubberized-White-3CLYR52RZWD, Item Specification for Clarity Collection, Matte White, Accessed Jun. 19, 2017.

(Continued)

Primary Examiner — Sharon S Oum

(74) *Attorney, Agent, or Firm* — McGarry Bair PC

(57) **CLAIM**

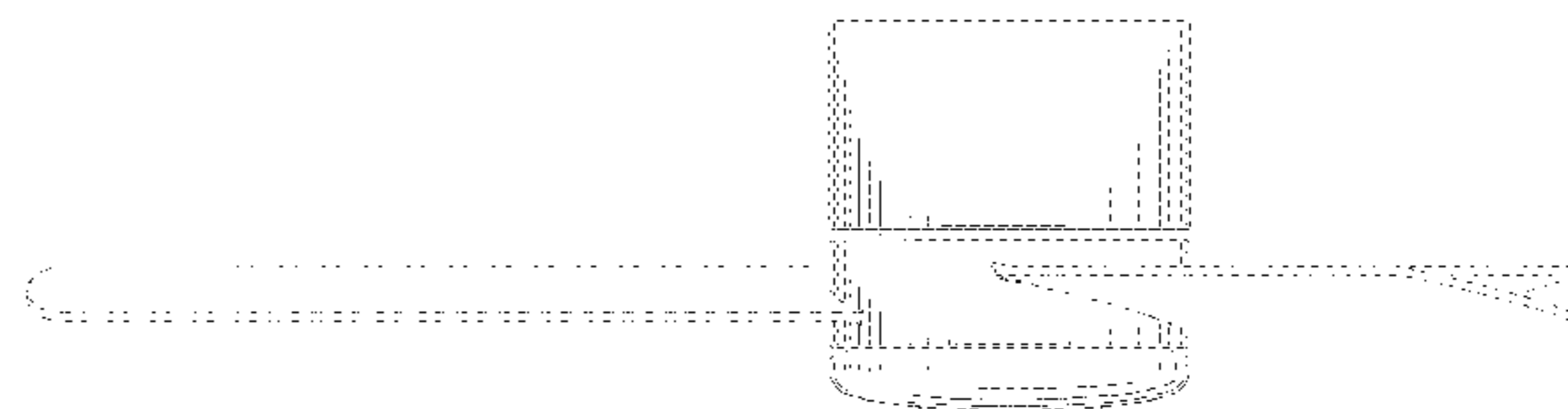
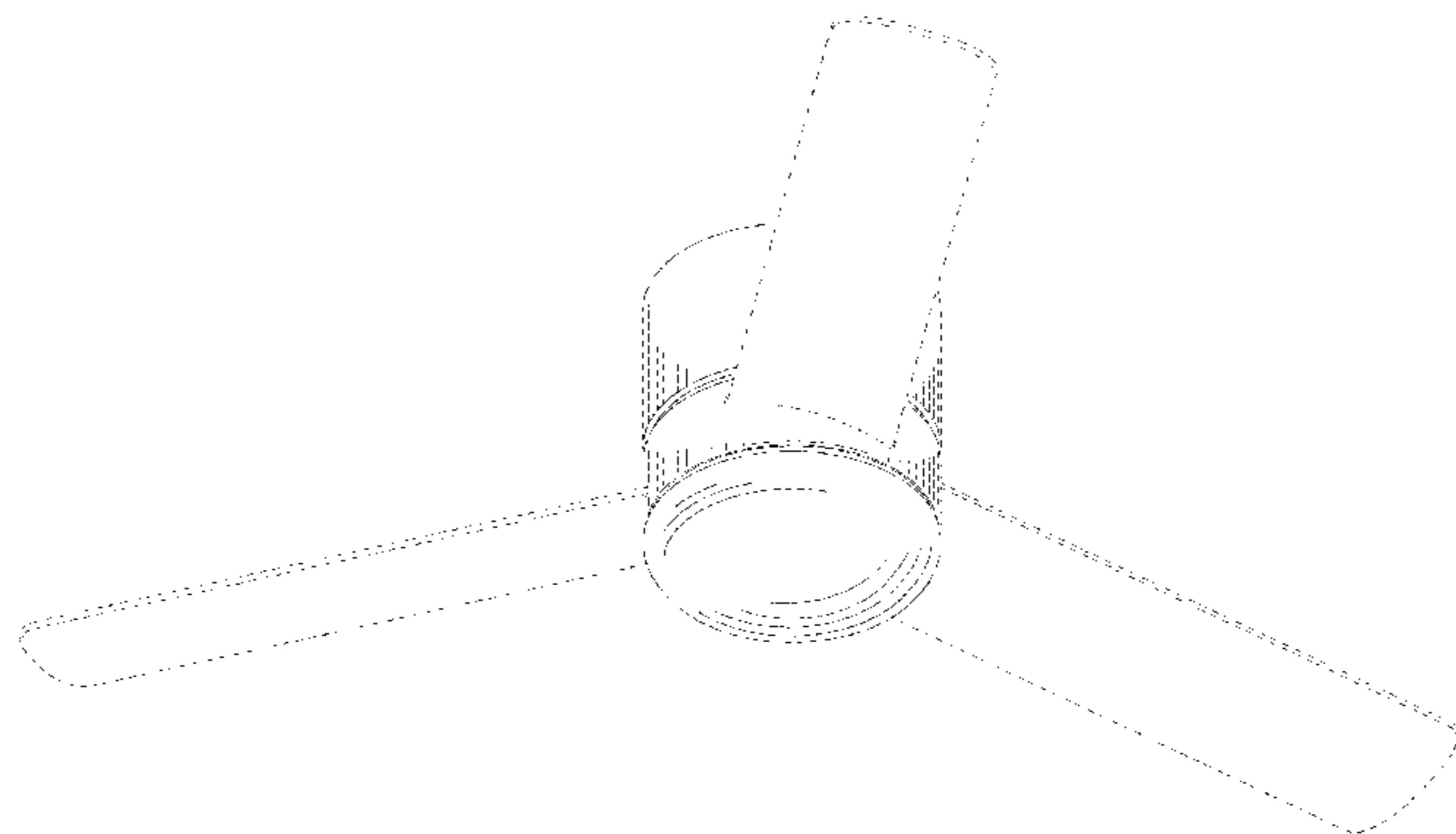
The ornamental design for a ceiling fan motor housing, as shown and described.

DESCRIPTION

FIG. 1 is a bottom perspective view of a ceiling fan motor housing in the environment of a ceiling fan, showing my new design;
FIG. 2 is a top perspective view thereof;
FIG. 3 is a left side view thereof;
FIG. 4 is a rear view thereof;
FIG. 5 is a right side view thereof;
FIG. 6 is a front side view thereof;
FIG. 7 is a top view thereof; and,
FIG. 8 is a bottom view thereof.

Portions of the ceiling fan motor housing and ceiling fan environment shown in broken lines form no part of the claimed design.

1 Claim, 8 Drawing Sheets



(56)

References Cited

U.S. PATENT DOCUMENTS

D628,688 S 12/2010 Pan
 D633,644 S 3/2011 Sprengers
 D694,463 S 11/2013 Sieczkowski
 D708,315 S 7/2014 Wang
 D715,917 S 10/2014 Hidalgo
 D744,634 S 12/2015 Wang
 D751,187 S 3/2016 Dolan
 D759,799 S 6/2016 Wang
 D769,506 S 10/2016 Orozco
 D771,794 S 11/2016 Wang
 D771,860 S 11/2016 Weiss et al.
 D772,393 S 11/2016 Wang
 D774,175 S 12/2016 Wang
 D782,644 S * 3/2017 Wang D23/377
 D785,157 S 4/2017 Wang
 D788,283 S 5/2017 Busta
 D788,286 S 5/2017 Busta
 D799,665 S 10/2017 Wang
 D799,667 S 10/2017 Wang
 D801,515 S 10/2017 Wang
 D805,174 S 12/2017 Guthrie
 D805,625 S 12/2017 Haggar
 D808,510 S 1/2018 Gajewski
 D810,920 S 2/2018 Haggar
 D818,104 S * 5/2018 Holmes D23/377
 D834,696 S 11/2018 Schulzman
 D838,357 S 1/2019 Haggar
 D855,788 S * 8/2019 Haggar D23/377
 D855,789 S * 8/2019 Haggar D23/377

D874,634 S * 2/2020 Haggar D23/377
 D877,314 S * 3/2020 Holmes D23/411
 D885,551 S * 5/2020 McRoberts D23/377
 D888,221 S * 6/2020 O'Connell D23/377
 D904,597 S * 12/2020 O'Connell D23/411
 2006/0274538 A1 * 12/2006 Bacon F21V 17/12
 362/433
 2018/0128276 A1 5/2018 Li
 2018/0128277 A1 5/2018 Chia

OTHER PUBLICATIONS

<http://www.kichler.com/products/product/52-arkwet-patio-ceiling-fan-mwh-339529mwh>, Item Specification for Kichler Arkwet Patio Collection, 52" Arkwet Patio Ceiling Fan MWH, Accessed Jun. 19, 2017.
<http://www.montecarlofans.com/50453/56-Vision-Max---Rubberized-White-3VNMR56RZWD>, Item Specification for Monte Carlo Vision Max Collection, Matte White, Accessed Jun. 19, 2017.
<http://www.homedepot.com/p/Hampton-Bay-Northport-52-in-Brushed-Nickel-Ceiling-Fan-14926/202790687>, Item Specification for Hampton Bay Northport 52 in. Brushed Nickel Ceiling Fan, Accessed Jun. 19, 2017.
<http://www.montecarlofans.com/50446/52-Discus-Trio---Brushed-Steel-3DIR52BSD>, Item Specification for Monte Carlo Discus Trio Collection, Brushed Steel, Accessed Jun. 19, 2017.
<http://www.kichler.com/products/product/60-bowen-ceiling-fan-mwh-330243mwh>, Kichler Bowen Ceiling Fan Collection 60" Bowen Ceiling Fan MWH, Accessed Jun. 19, 2017.

* cited by examiner

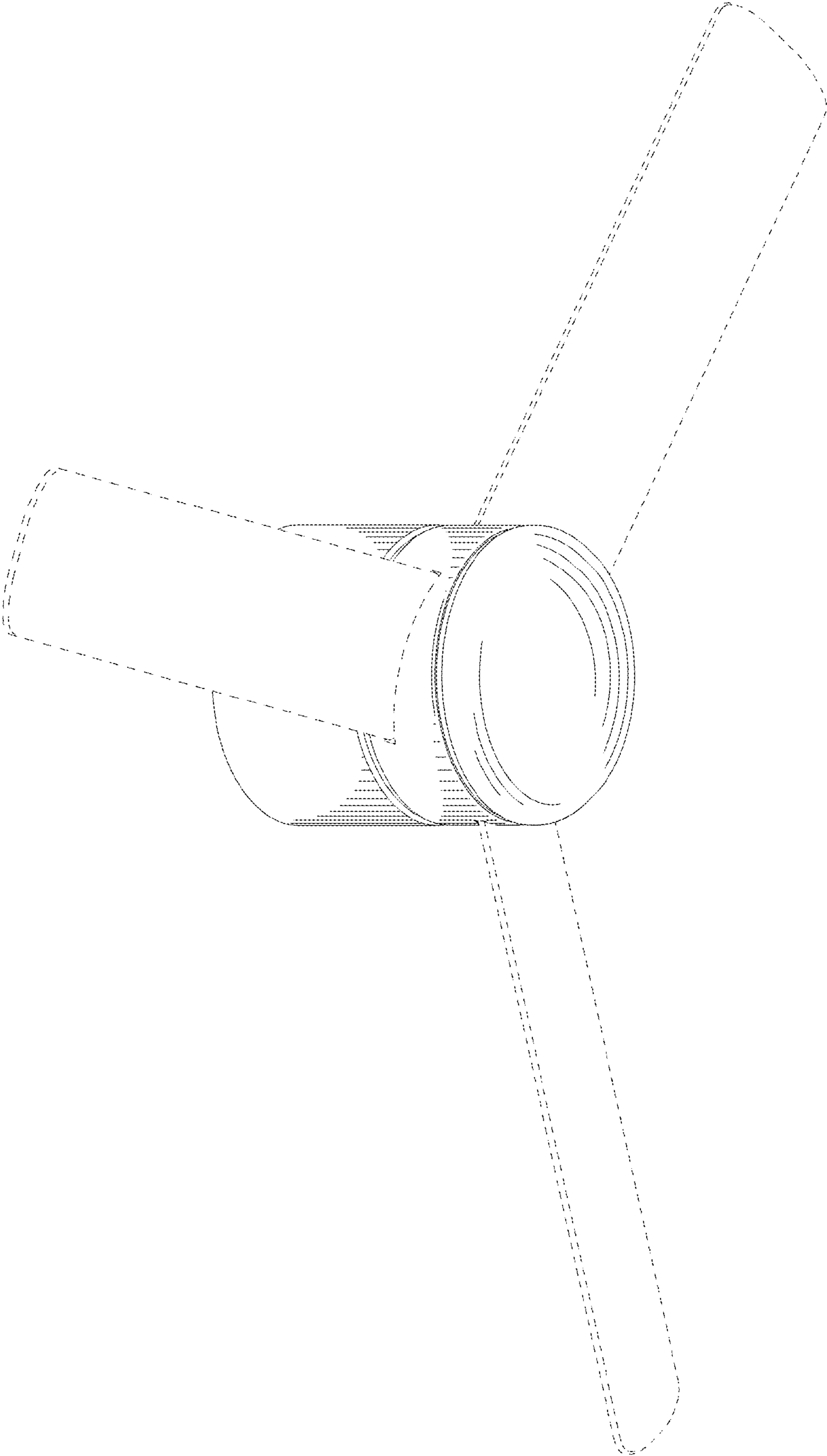


FIG.1

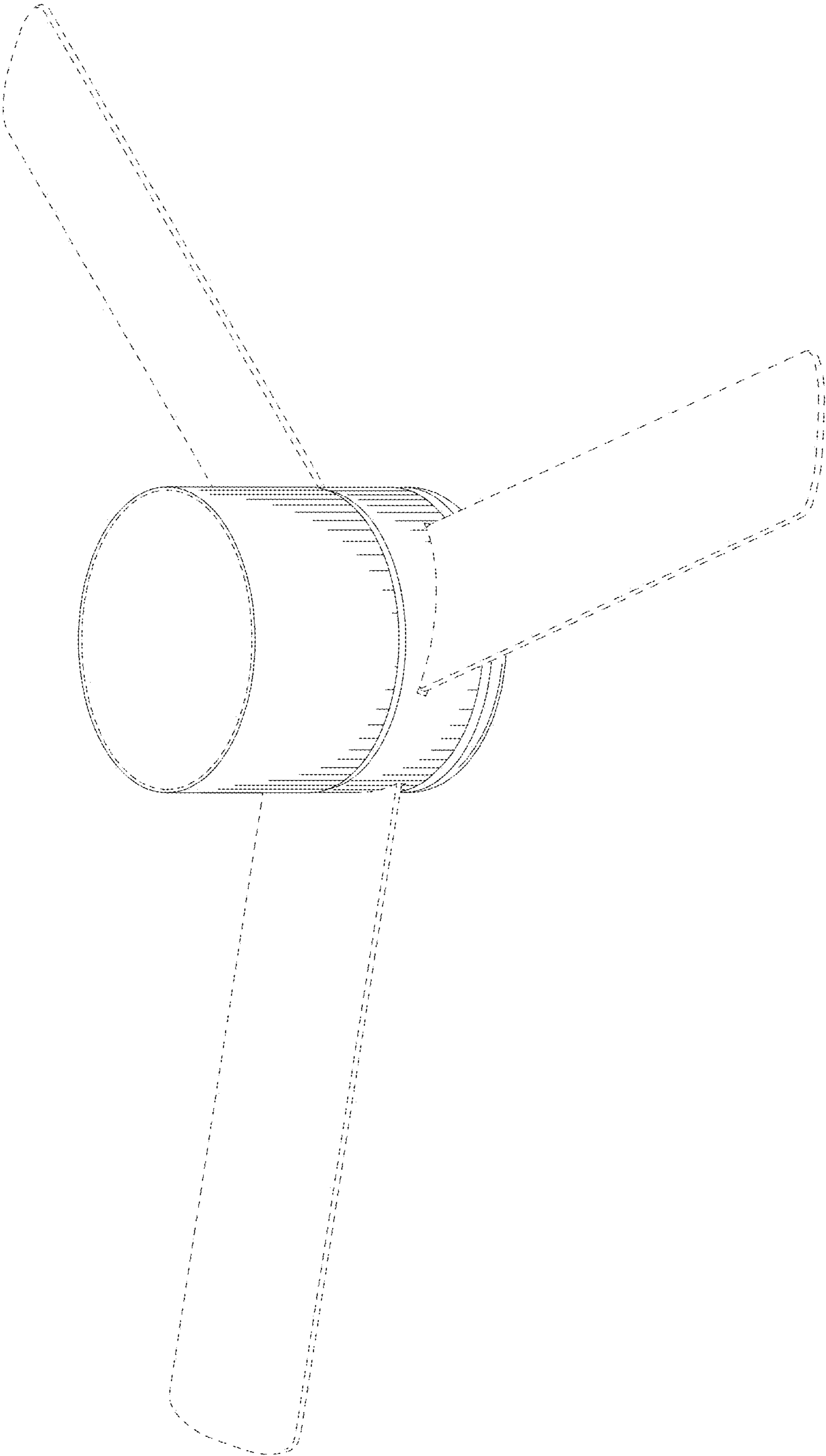


FIG.2

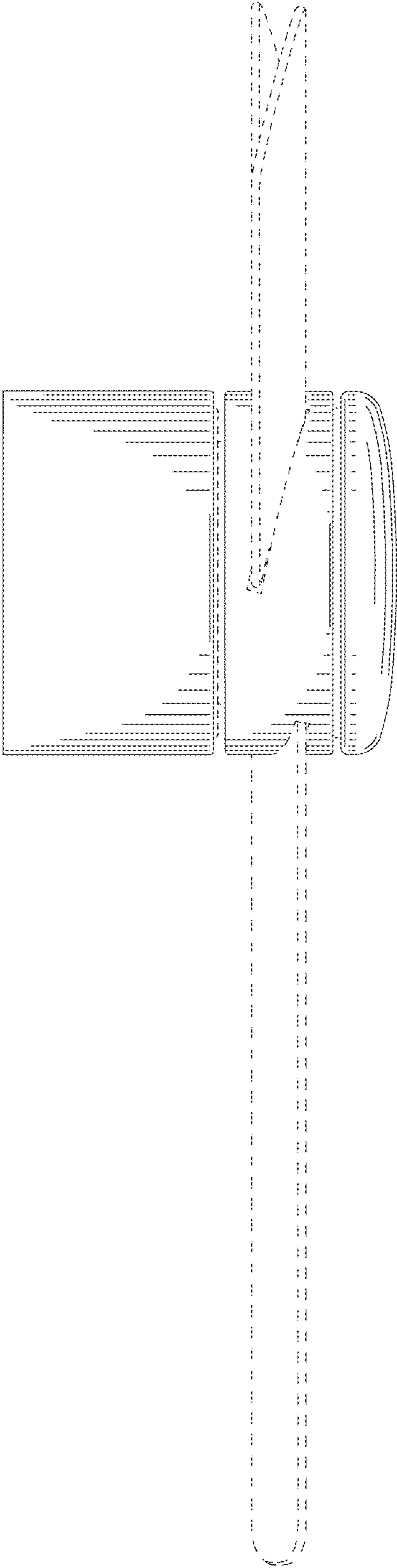


FIG. 3

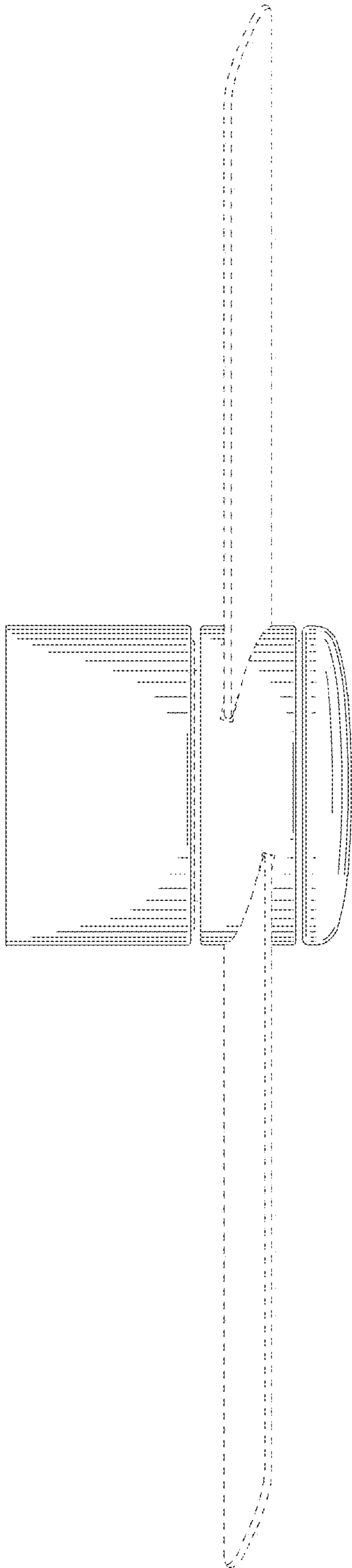


FIG.4

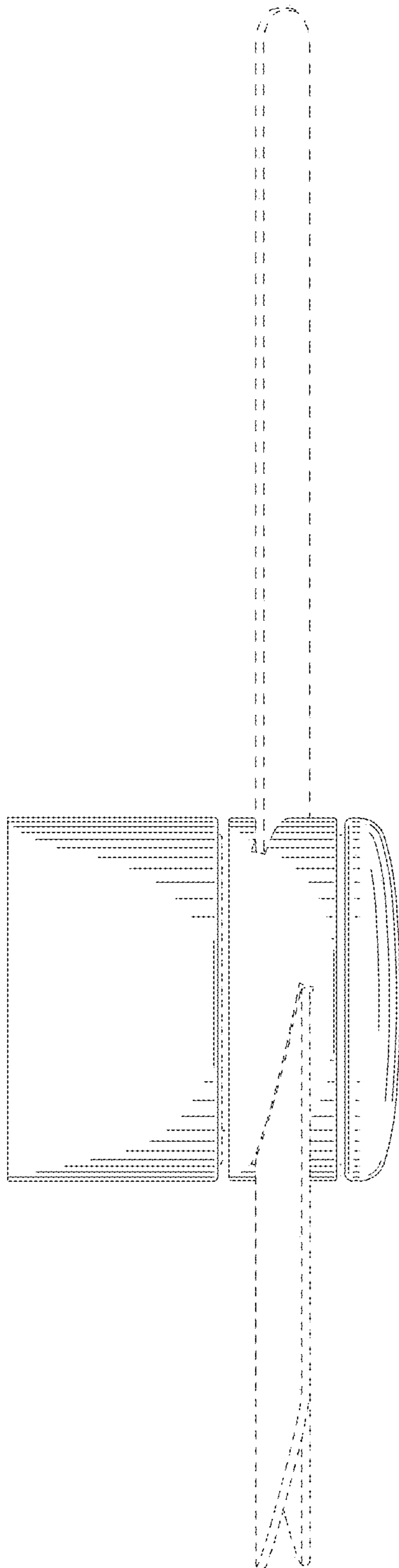


FIG. 5

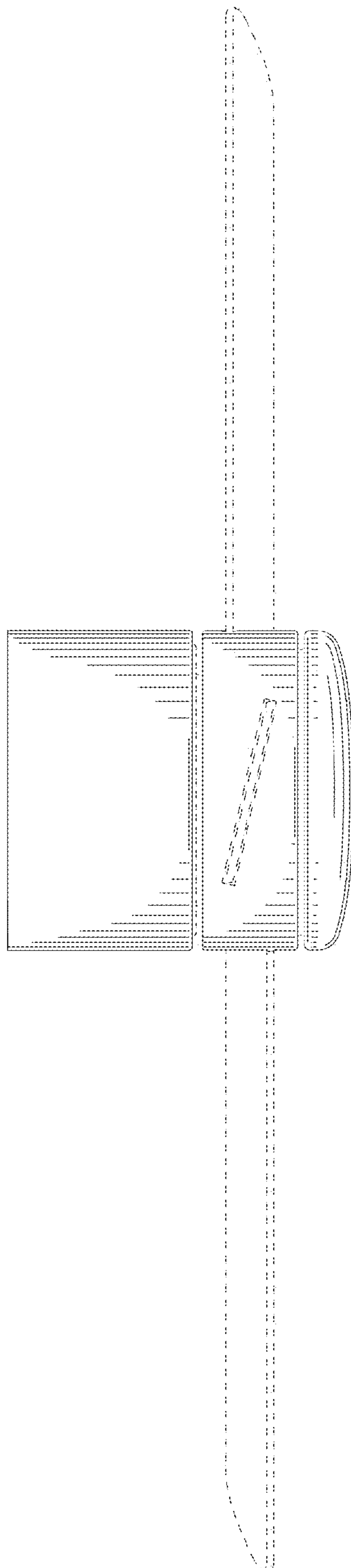


FIG.6

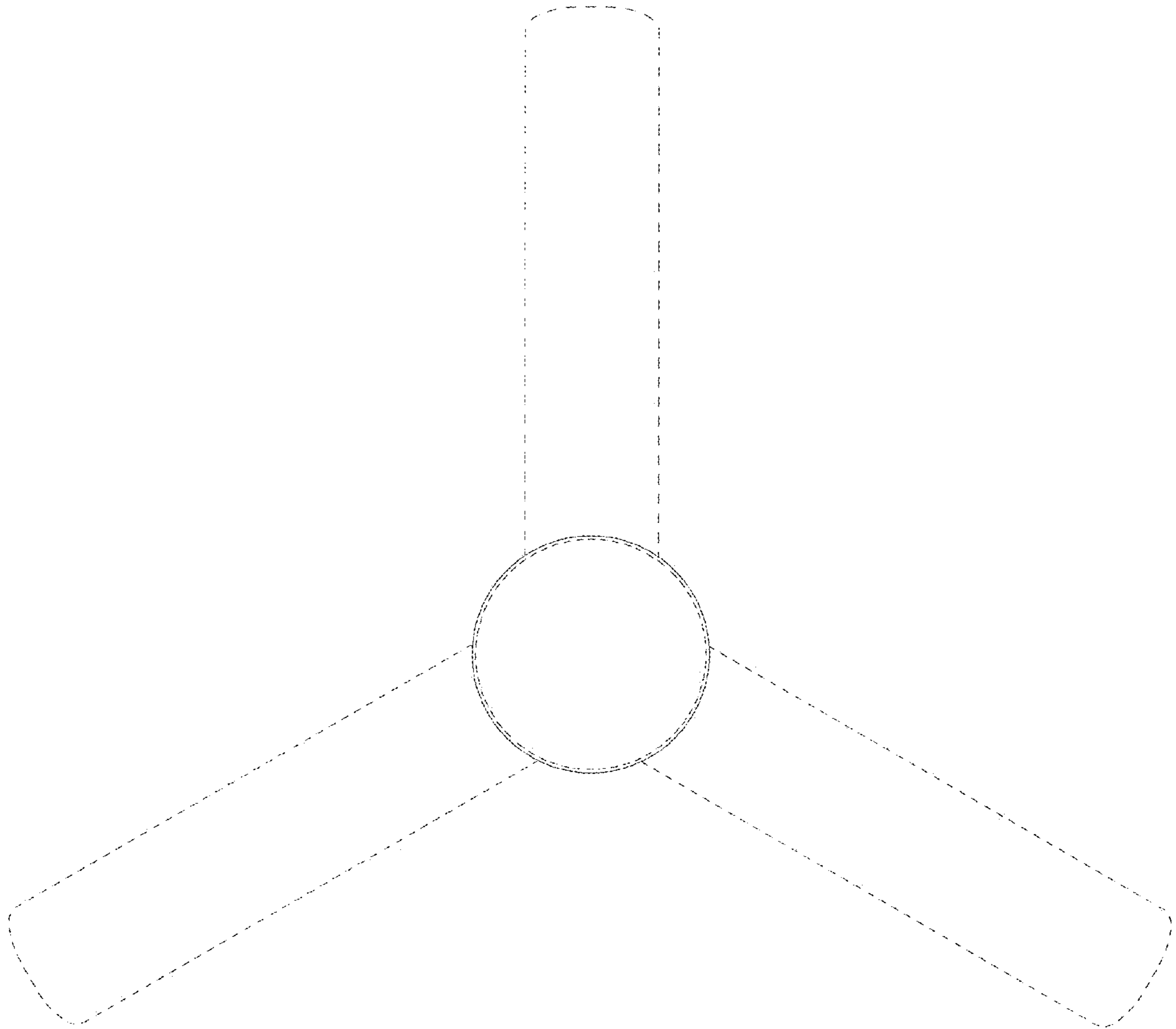


FIG.7

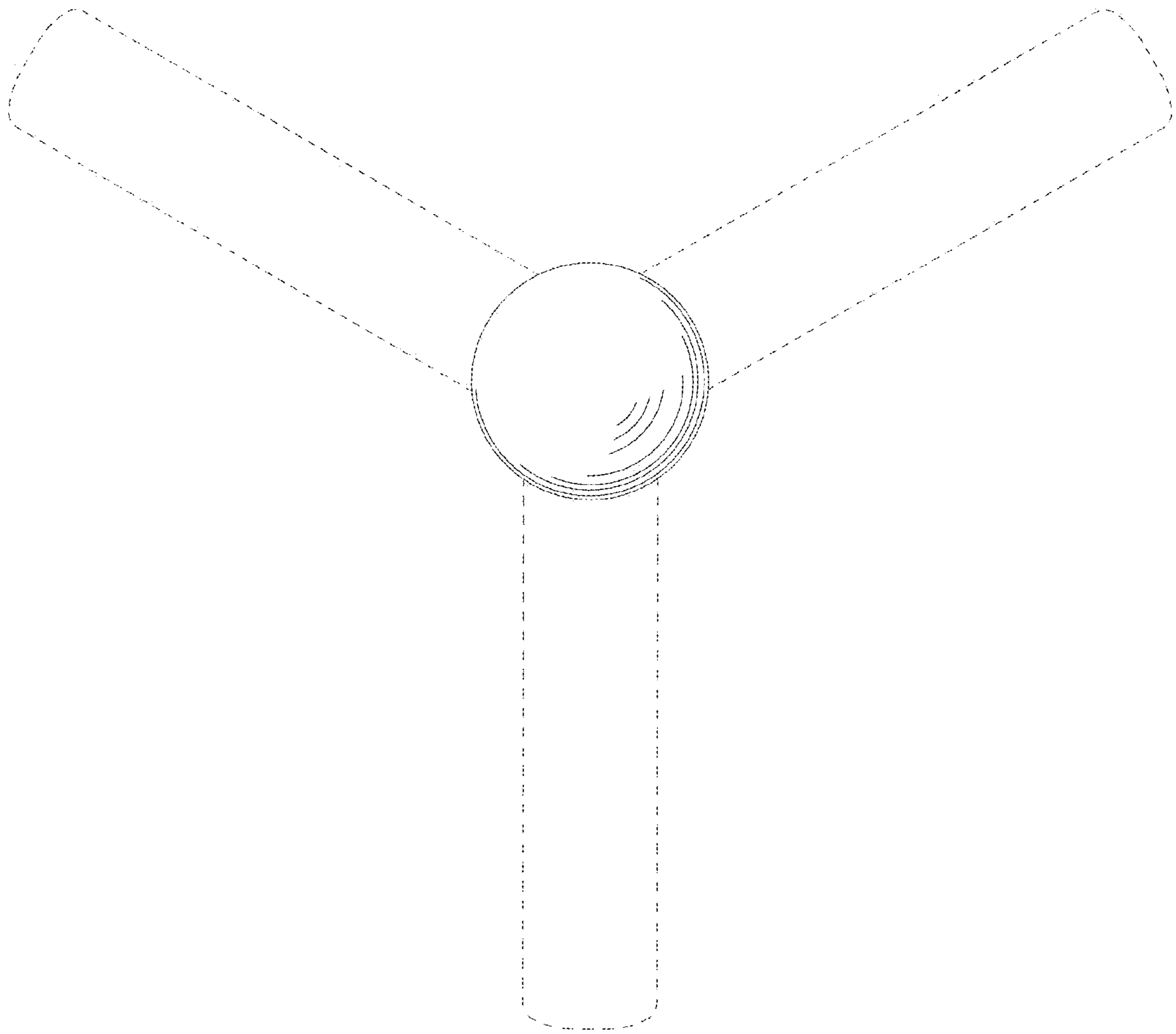


FIG.8