



US00D933192S

(12) **United States Design Patent** (10) **Patent No.:** **US D933,192 S**
Rajput et al. (45) **Date of Patent:** **** Oct. 12, 2021**

(54) **SUCTION HOOD** D439,648 S * 3/2001 Jones D23/370
7,278,823 B2 * 10/2007 Platz F04D 29/4233
415/204
(71) Applicant: **ATLAS COPCO AIRPOWER,** D621,027 S * 8/2010 Peia D23/411
NAAMLOZE VENNOOTSCHAP, 7,861,708 B1 * 1/2011 Lyons F04D 25/08
Wilrijk (BE) 126/110 A
(72) Inventors: **Prashant K. Rajput,** Maharashtra (IN); D878,543 S * 3/2020 Green D23/393
Vishal Krishnarao Patil, Maharashtra D900,299 S * 10/2020 Hedlund D23/393
(IN); **Vijay Sohanlal Sharma,** 10,906,597 B2 * 2/2021 Biancalana B62D 25/12
(IN); **Vijay Sohanlal Sharma,** 10,913,403 B2 * 2/2021 DeJong B60J 5/0415
Maharashtra (IN); **Srinivasan Arjune,** 10,994,433 B2 * 5/2021 Panzer B01D 46/0002
Tamil Nadu (IN) 11,027,785 B1 * 6/2021 Golan B62D 25/12
(Continued)

(73) Assignee: **ATLAS COPCO AIRPOWER,**
NAAMLOZE VENNOOTSCHAP,
Wilrijk (BE)

(**) Term: **15 Years**

(21) Appl. No.: **29/731,409**

(22) Filed: **Apr. 15, 2020**

(30) **Foreign Application Priority Data**

Mar. 16, 2020 (EM) 007756754-0002

(51) **LOC (13) Cl.** **23-04**

(52) **U.S. Cl.**
USPC **D23/393**

(58) **Field of Classification Search**
USPC D23/370-376, 355, 393, 414; D15/5
CPC A61H 9/0021; A61H 33/00; B05B 1/00;
B05B 1/14; B05B 1/185; B05B 1/08;
B05B 1/02; B05B 1/26; B05B 12/002;
B05B 1/18; B05B 9/01; F02M 35/024;
F02M 35/10; F02M 35/04; B01D 46/10;
B01D 46/0002; E03C 1/12; E03B 11/08
See application file for complete search history.

(56) **References Cited**

U.S. PATENT DOCUMENTS

D437,042 S * 1/2001 Kapturowski D23/370
D437,043 S * 1/2001 Wettergren D23/370

OTHER PUBLICATIONS

Bosch 2600283022 Suction Hood Jan. 26, 2018, Amazon.com Mar. 13, 2021: URL: <https://www.amazon.com/Bosch-2600283022-Suction-Hood/dp/B079BWWVXM> (Year: 2018).*

(Continued)

Primary Examiner — Jack Reickel

Assistant Examiner — Keith J Wilson

(74) *Attorney, Agent, or Firm* — Bacon & Thomas, PLLC

(57) **CLAIM**

The ornamental design for a suction hood, as shown and described.

DESCRIPTION

FIG. 1 is a perspective view of the suction hood.

FIG. 2 is a top view thereof.

FIG. 3 is a bottom view thereof.

FIG. 4 is a right side view thereof.

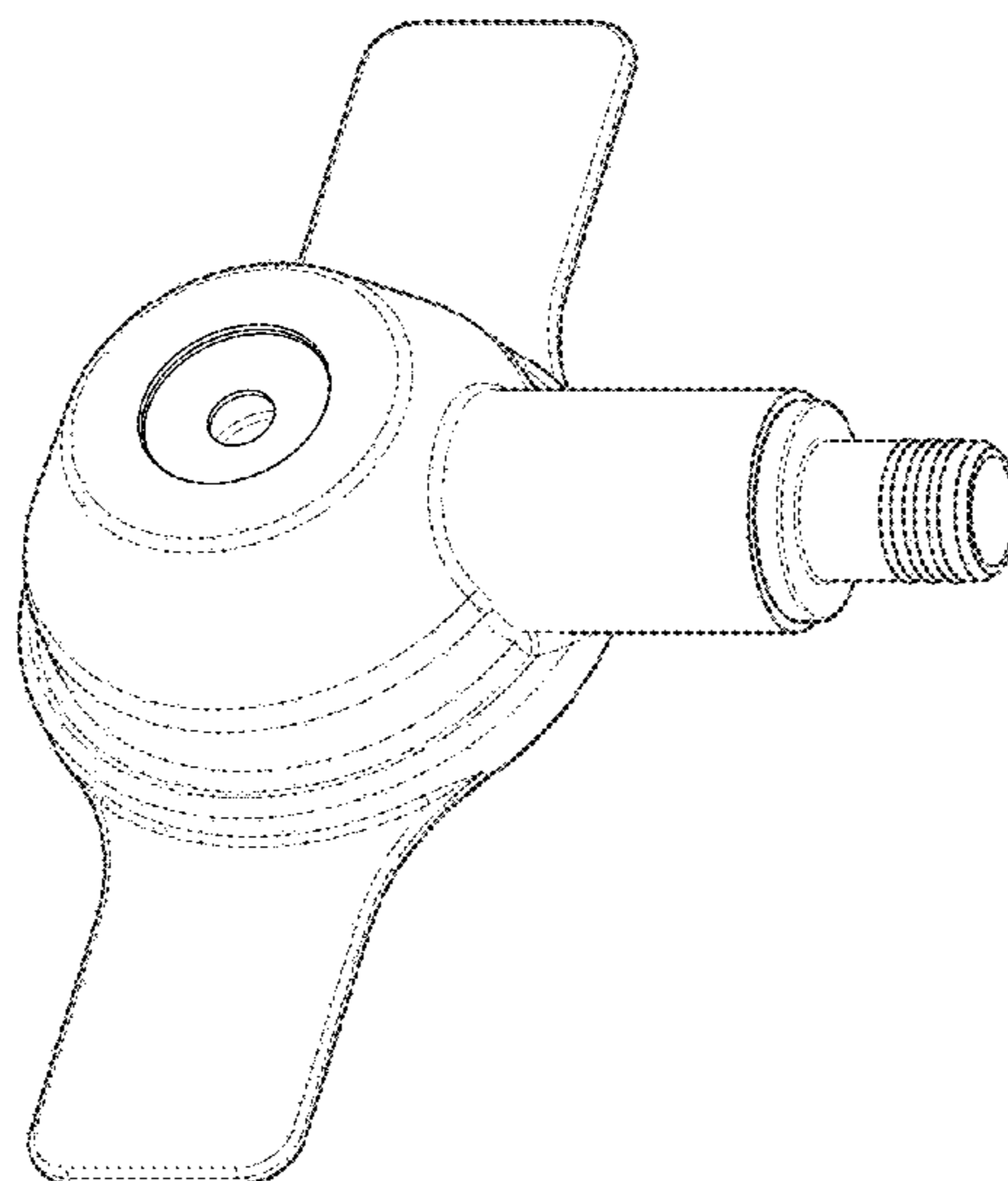
FIG. 5 is a back view thereof.

FIG. 6 is a left side view thereof; and,

FIG. 7 is a front view thereof.

The broken lines in the figures illustrate portions of the article which form no part of the claimed design.

1 Claim, 7 Drawing Sheets



(56)

References Cited

U.S. PATENT DOCUMENTS

11,050,143 B2* 6/2021 Shin H01Q 13/16
11,072,374 B2* 7/2021 Gandhi B62D 35/00
2013/0328300 A1* 12/2013 Bond B26D 3/00
285/42
2015/0267600 A1* 9/2015 Mehravaran F01P 5/06
123/41.11
2021/0229747 A1* 7/2021 Dominic B62D 27/02

OTHER PUBLICATIONS

POWERTEC 70169 Mini Gulp Dust Hood, Apr. 29, 2016, Amazon.com, Aug. 24, 2021.URL: <https://www.amazon.com/POWERTEC-70169-Mini-Gulp-Dust/dp/B01EY1NCM8> (Year: 2016).*

POWERTEC 70150 Rectangular Dust Hood, Oct. 14, 2011, Amazon.com, Aug. 24, 2021.URL: <https://www.amazon.com/POWERTEC-70150-Rectangular-Dust-4-Inch/dp/B00M3JFNOO> (Year: 2011).*

HOME-X Drill Dust Collector, Drill Bit Attachment (4-10 Millimeters), Dust Catcher, Jan. 29, 2020, Amazon.com, Aug. 24, 2021,URL: <https://www.amazon.com/Collector-Attachment-Millimeters-Catcher-Accessory/dp/B0849YFV2T> (Year: 2020).*

Milwaukee 5317-DE Dust Extraction, Nov. 1, 2017, Amazon.com, Aug. 24, 2021, Amazon.com, Aug. 24, 2021.URL: <https://www.amazon.com/Milwaukee-5317-DE-Dust-Extraction/dp/B073444ZBZ> (Year: 2017).*

* cited by examiner

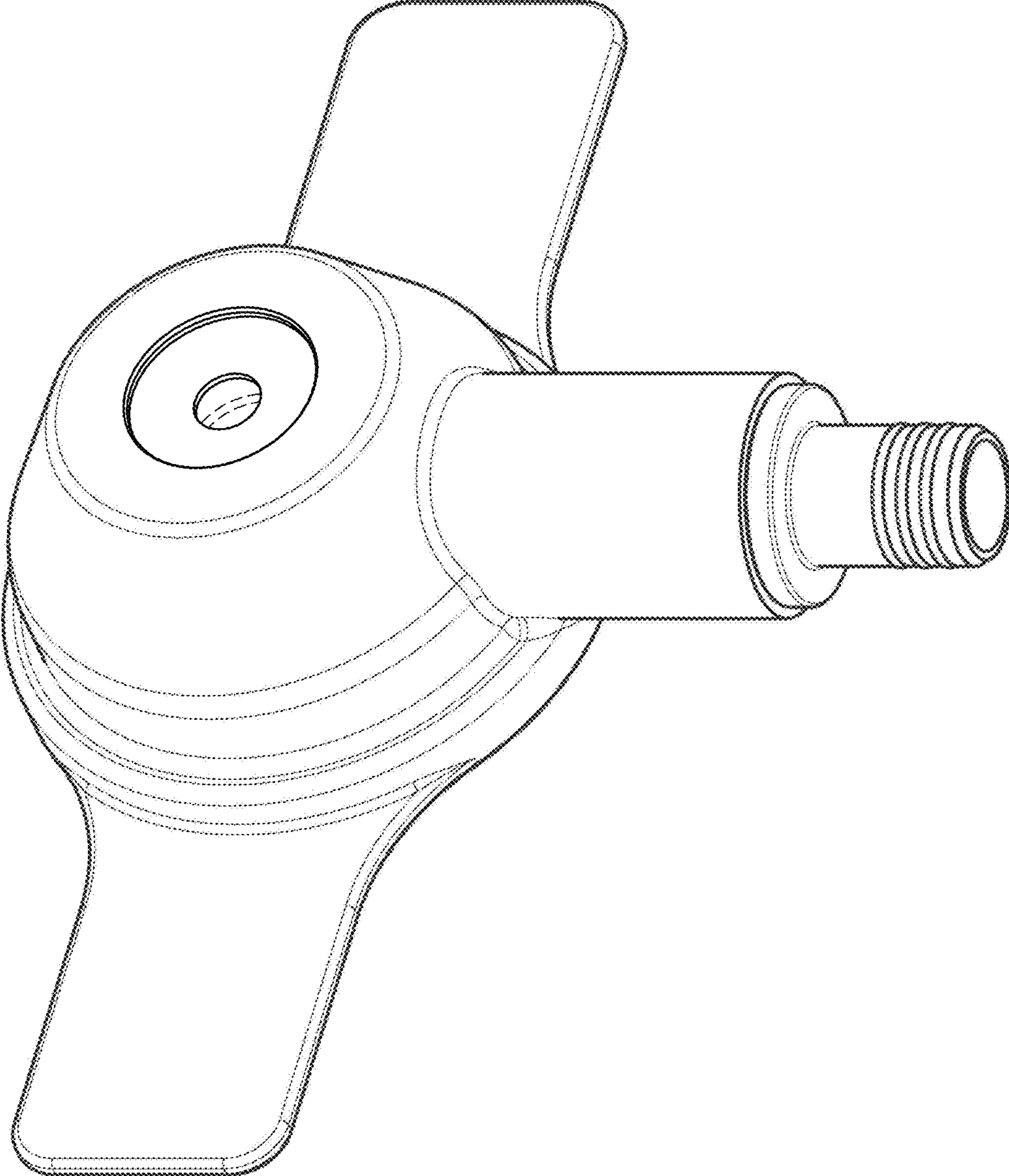


Fig. 1

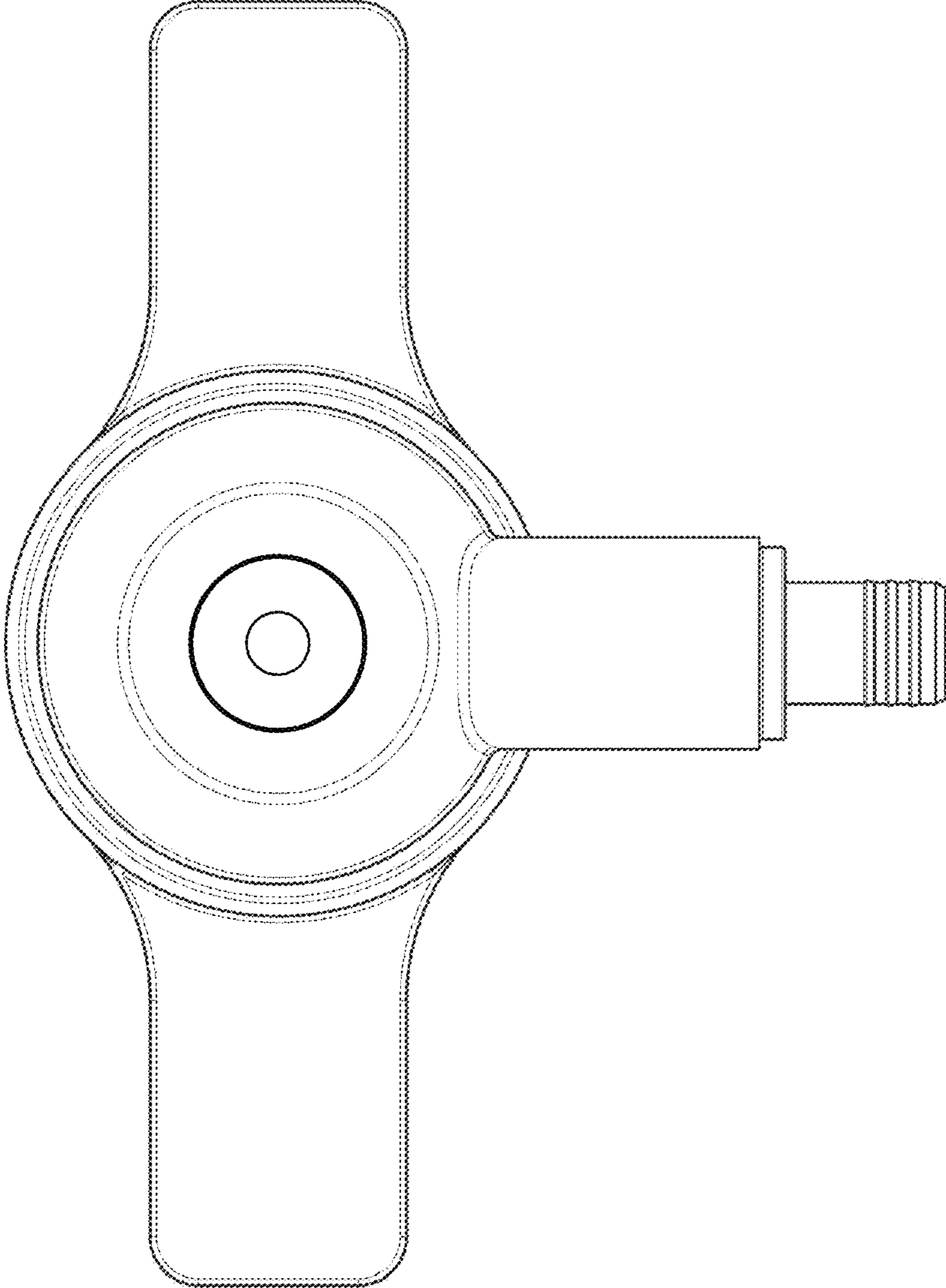


Fig. 2

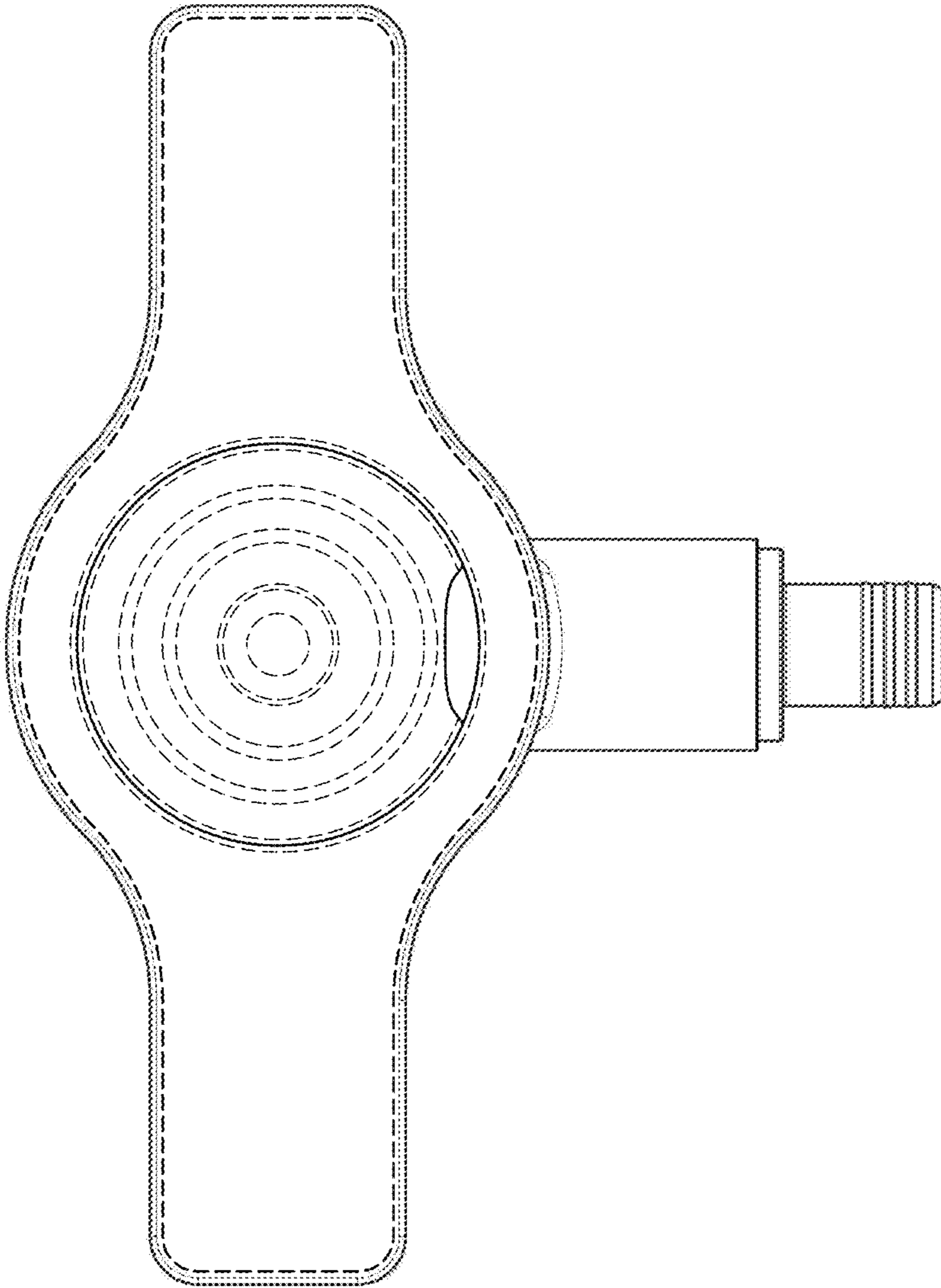


Fig. 3

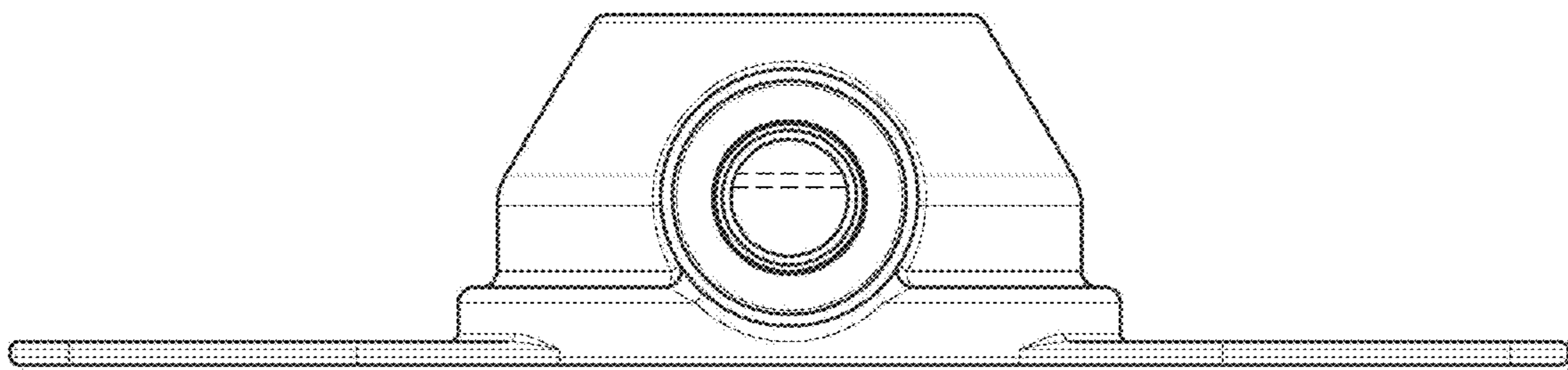


Fig. 4

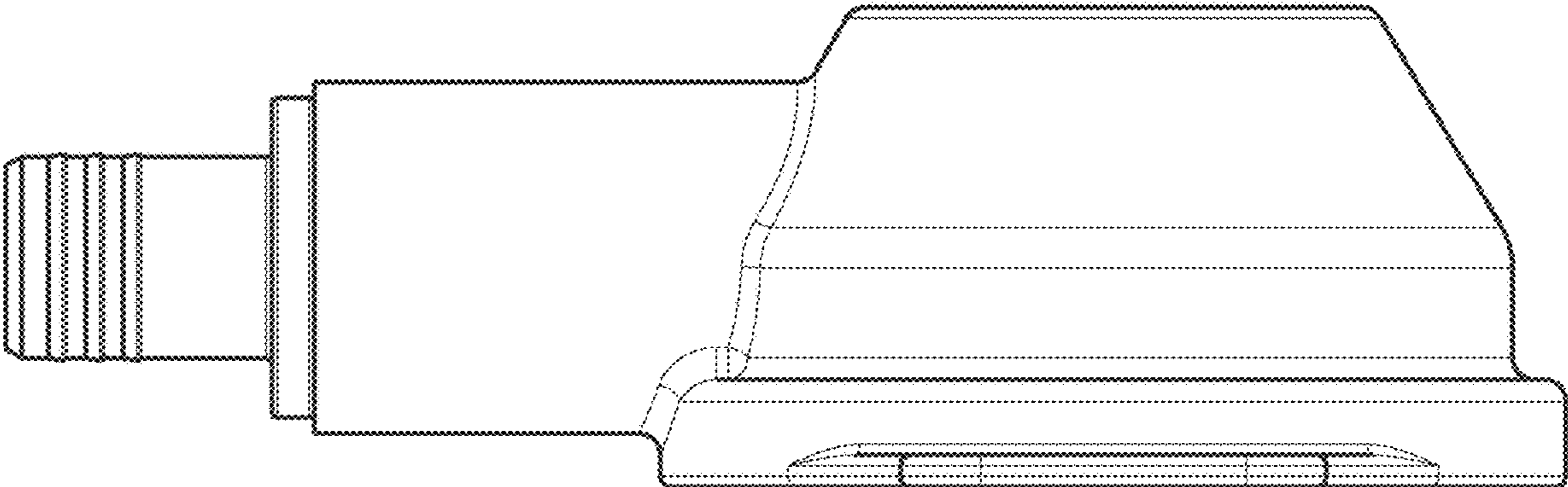


Fig. 5

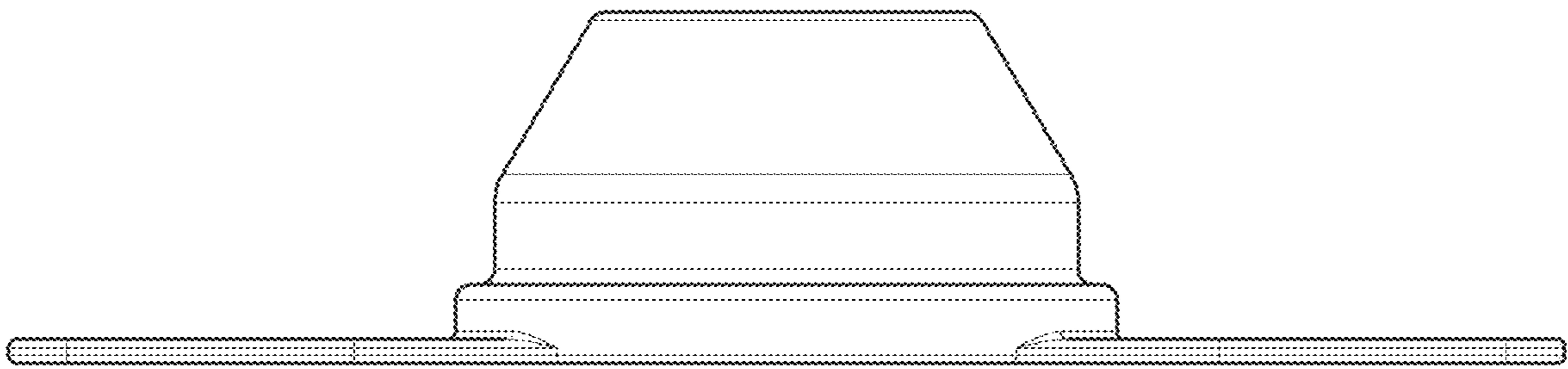


Fig. 6

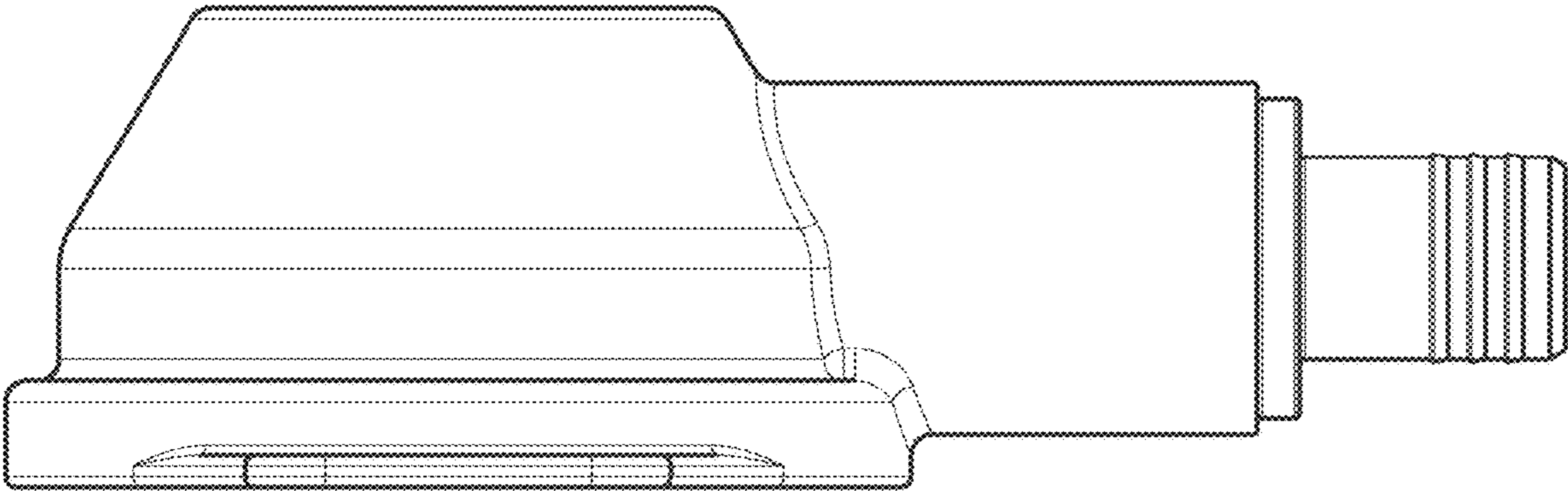


Fig. 7