



US00D933191S

(12) **United States Design Patent**
Shimada et al.

(10) **Patent No.:** **US D933,191 S**

(45) **Date of Patent:** **** Oct. 12, 2021**

(54) **COVER FOR CEILING VENTILATION FAN**

(71) Applicant: **Panasonic Intellectual Property Management Co., Ltd., Osaka (JP)**

(72) Inventors: **Yashio Shimada, Osaka (JP); Motohiro Aoki, Hyogo (JP)**

(73) Assignee: **Panasonic Intellectual Property Management Co., Ltd., Osaka (JP)**

(**) Term: **15 Years**

(21) Appl. No.: **29/717,355**

(22) Filed: **Dec. 17, 2019**

(51) **LOC (13) Cl.** **23-04**

(52) **U.S. Cl.**
USPC **D23/385; D23/412**

(58) **Field of Classification Search**
USPC D23/314, 351, 353, 354, 364, 366,
D23/370-376, 378, 381, 383, 385, 388,
D23/393, 395, 411, 412; D26/59
CPC F24F 13/082; H04R 1/028
See application file for complete search history.

(56) **References Cited**

U.S. PATENT DOCUMENTS

D533,956 S *	12/2006	Vladika	D26/118
D570,465 S *	6/2008	Miyake	D23/371
D574,478 S *	8/2008	Miyake	D23/371
D581,508 S *	11/2008	Miyake	D23/371
D678,497 S *	3/2013	Tom	D23/371
D681,794 S *	5/2013	Lin	D23/371
D702,827 S *	4/2014	Mase	D23/370

D705,417 S *	5/2014	Lin	D23/371
9,103,104 B1 *	8/2015	Tom	E03D 9/052
9,398,357 B2 *	7/2016	Berkman	H04R 1/028
D779,050 S *	2/2017	Jonas	D23/388
D799,679 S *	10/2017	Jonas	D23/385
D800,294 S *	10/2017	Jonas	D23/385
D800,295 S *	10/2017	Jonas	D23/385
D857,872 S *	8/2019	Shimada et al.		
D883,467 S *	5/2020	Jonas	D23/385
D886,983 S *	6/2020	Jonas	D23/385
D899,582 S *	10/2020	Appiahene-Agyei	D23/412
D908,200 S *	1/2021	Jonas	D23/385
2009/0170421 A1 *	7/2009	Adrian	F24F 13/06 454/349
2018/0180320 A1 *	6/2018	Maeda	F24F 7/007

* cited by examiner

Primary Examiner — Sharon S Oum

(74) *Attorney, Agent, or Firm* — Brinks Gilson & Lione

(57) **CLAIM**

We claim the ornamental design for a cover for ceiling ventilation fan, as shown and described.

DESCRIPTION

FIG. 1 is a perspective view of a cover for ceiling ventilation fan of the present invention;
FIG. 2 is a front elevation view thereof;
FIG. 3 is a rear view thereof;
FIG. 4 is a left side view thereof;
FIG. 5 is a right side view thereof;
FIG. 6 is a top view thereof;
FIG. 7 is a bottom view thereof; and,
FIG. 8 is a cross-sectional view taken along line 8-8 of FIG. 2.

1 Claim, 8 Drawing Sheets

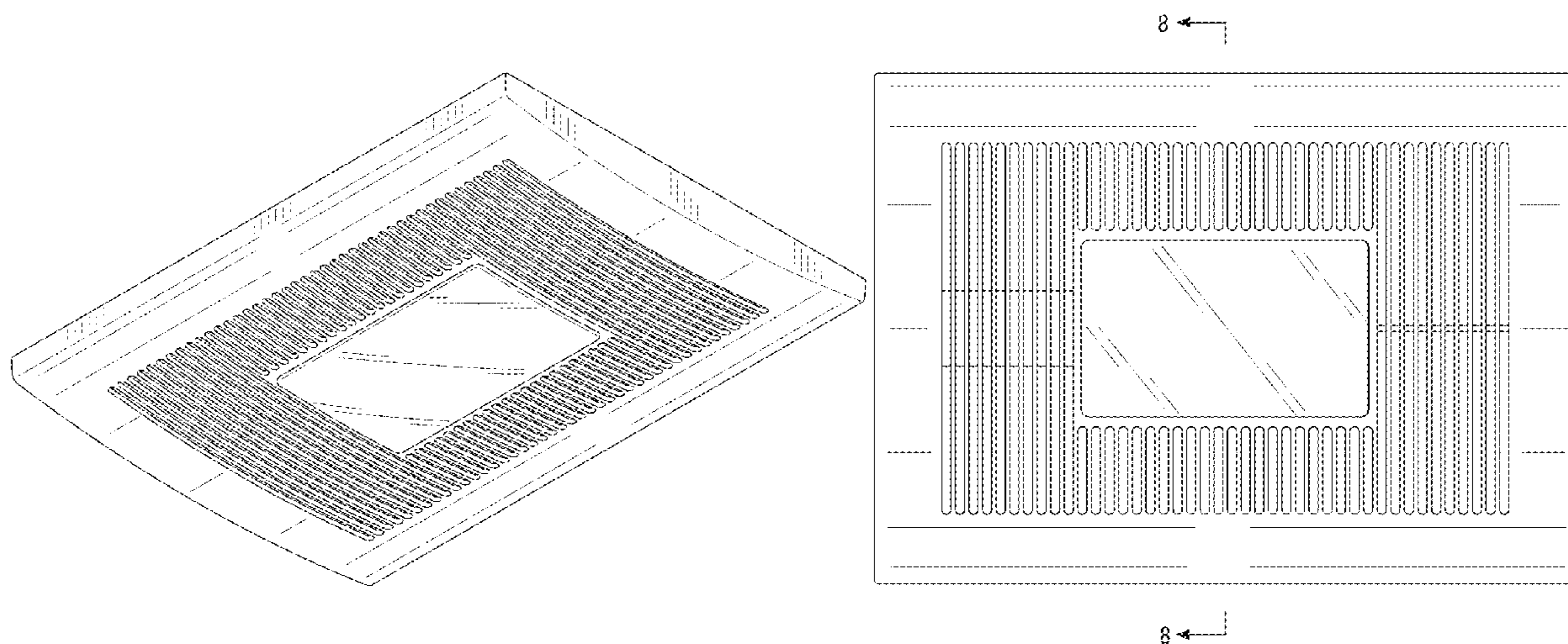


FIG. 1

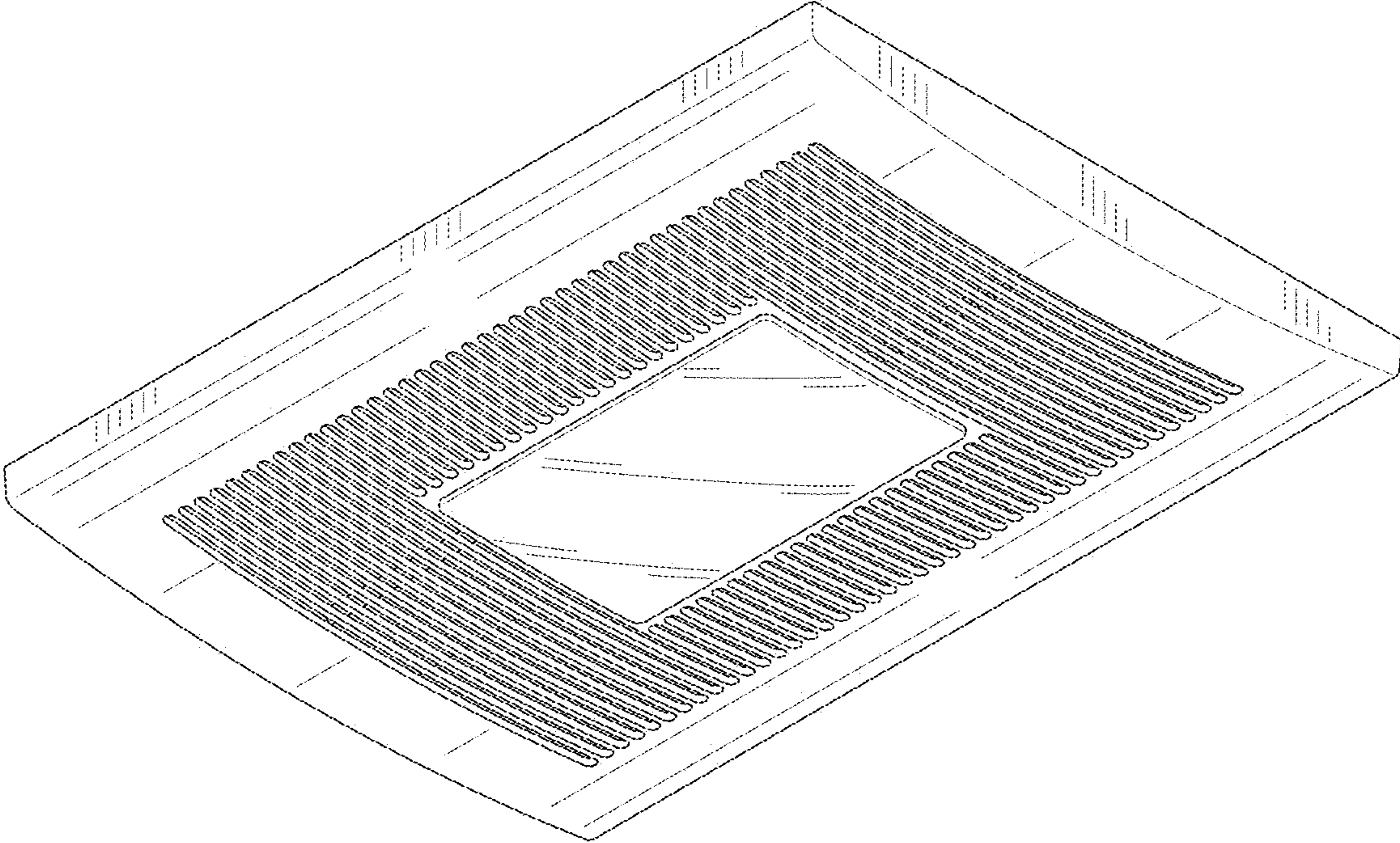


FIG. 2

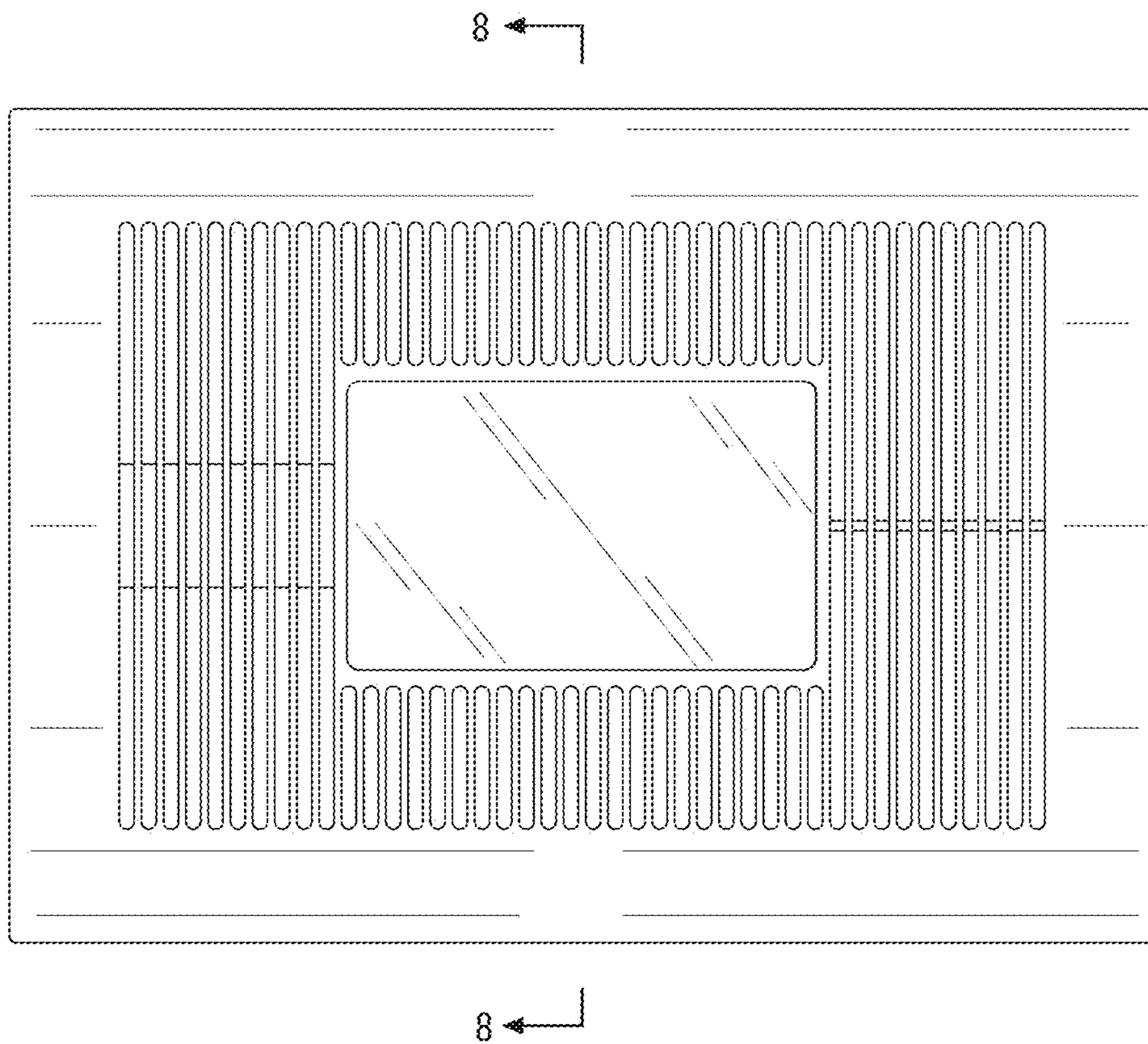


FIG. 3

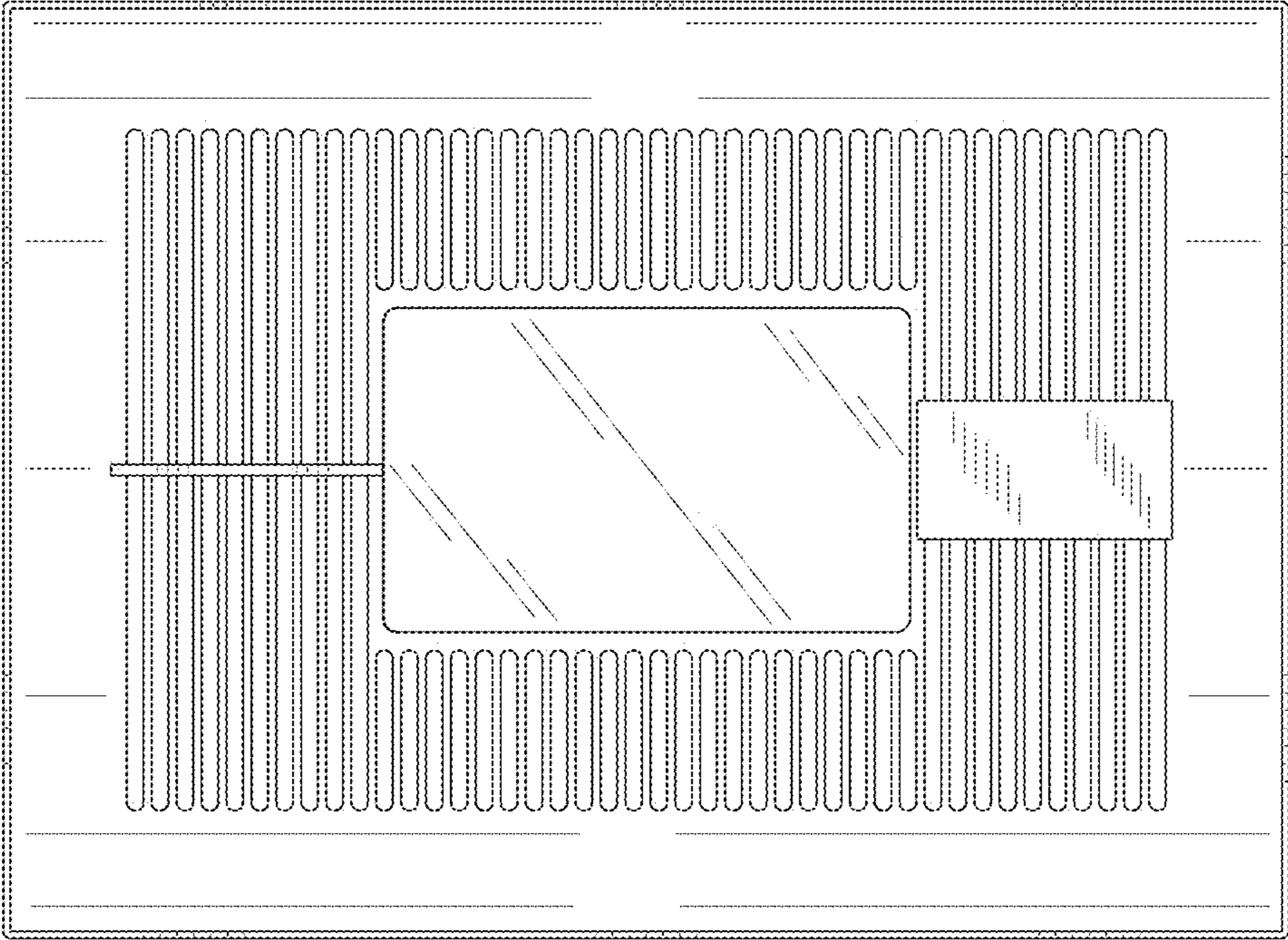


FIG. 4



FIG. 5



FIG. 6



FIG. 7



FIG. 8

