



US00D933188S

(12) **United States Design Patent** (10) **Patent No.:** **US D933,188 S**
Li et al. (45) **Date of Patent:** **** Oct. 12, 2021**

(54) **FAN ASSEMBLY**
(71) Applicant: **Fanimation, Inc.**, Zionsville, IN (US)
(72) Inventors: **Allen Li**, Taichung (TW); **Kristina Christopher**, Davidson, NC (US)
(73) Assignee: **Fanimation, Inc.**, Zionsville, IN (US)
(**) Term: **15 Years**
(21) Appl. No.: **29/689,591**
(22) Filed: **Apr. 30, 2019**
(51) **LOC (13) Cl.** **23-04**
(52) **U.S. Cl.**
USPC **D23/377**
(58) **Field of Classification Search**
USPC D23/370, 377, 379, 385, 411, 413;
D26/59; D12/214, 339, 344
CPC F04D 25/088; F04D 29/38; F04D 29/384;
F04D 29/386; F21V 33/0096
See application file for complete search history.

(56) **References Cited**
U.S. PATENT DOCUMENTS
2,058,122 A * 10/1936 Assala B64C 11/16
416/94
D516,201 S * 2/2006 Badarello D23/411
D535,011 S 1/2007 Gajewski
D535,015 S 1/2007 Gajewski
D535,387 S 1/2007 Gajewski
D535,388 S 1/2007 Gajewski
D536,083 S 1/2007 Gajewski
D576,265 S 9/2008 Bucher et al.
7,481,626 B2 1/2009 Gajewski
D670,802 S 11/2012 Wang
D671,203 S 11/2012 Wang
D715,419 S 10/2014 Schulzman
D715,421 S 10/2014 Schulzman
D721,430 S 1/2015 Schulzman

D721,800 S * 1/2015 Busta D23/413
D726,297 S * 4/2015 Liu D23/377
D750,213 S 2/2016 Schulzman
(Continued)

OTHER PUBLICATIONS

Fanimation BPW8530-48WW Wrap Set of Three Ceiling Fan Blades, date first available Mar. 6, 2019, site visited Dec. 17, 2020, Copyright © 1996-2020, <https://www.amazon.com/Fanimation-Fans-BPW8530-48WW-Wrap-Custom/dp/B07PFLQMPG/ref=sr_1_12?dchild=1&keywords=fanimation+wrap+ceiling+fan&qid=1608261205&sr=8-12>.*

(Continued)

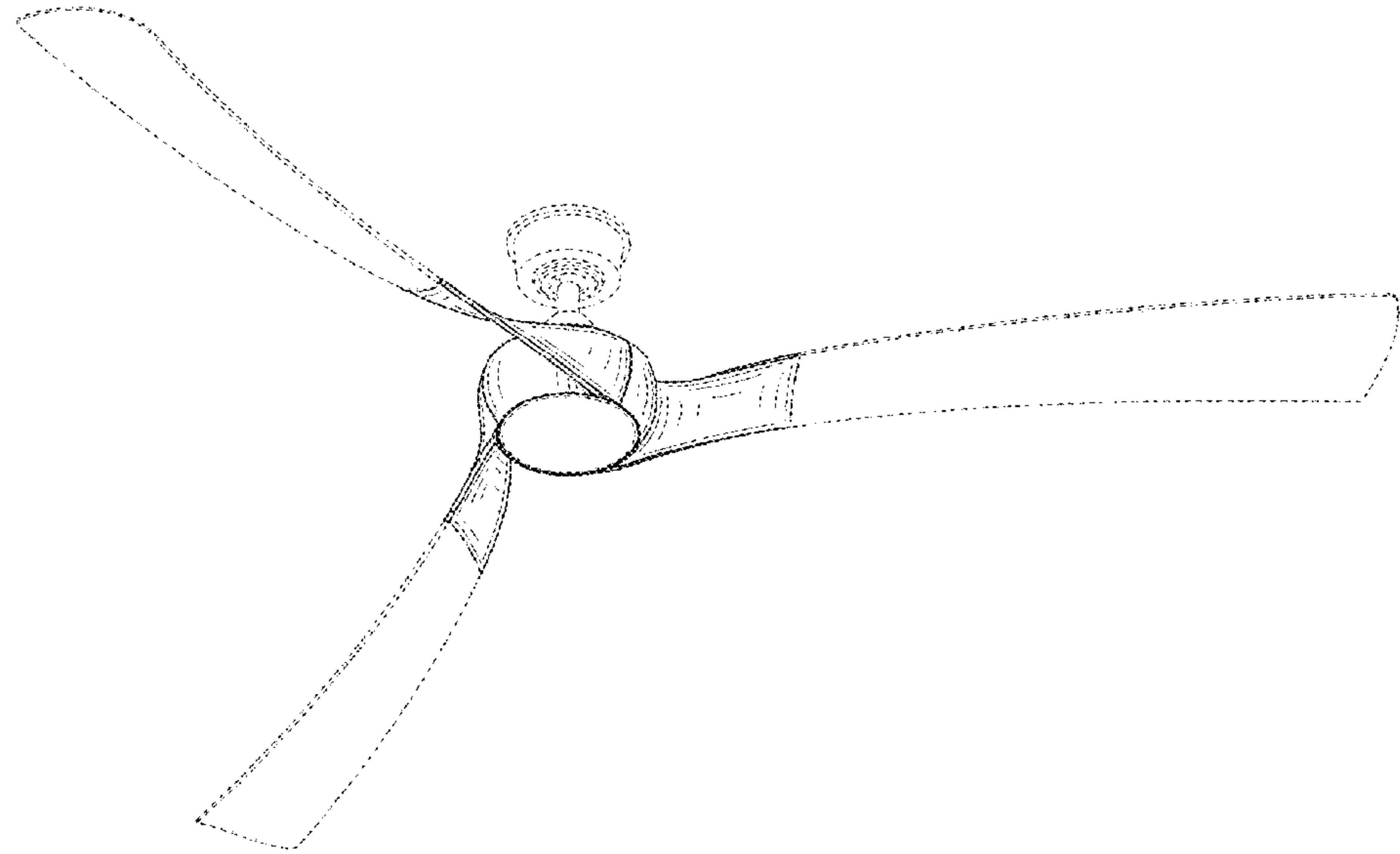
Primary Examiner — Lilyana Bekic
Assistant Examiner — Sharon S Oum
(74) *Attorney, Agent, or Firm* — Maginot, Moore & Beck LLP

(57) **CLAIM**
The ornamental design for a fan assembly, as shown and described.

DESCRIPTION

FIG. 1 is a bottom perspective view of a fan assembly showing our new design;
FIG. 2 is a front side elevational view of the fan assembly of FIG. 1;
FIG. 3 is a rear side elevational view of the fan assembly of FIG. 1;
FIG. 4 is a left side elevational view of the fan assembly of FIG. 1;
FIG. 5 is a right side elevational view of the fan assembly of FIG. 1;
FIG. 6 is a top plan view of the fan assembly of FIG. 1; and, FIG. 7 is a bottom plan view of the fan assembly of FIG. 1. The broken lines shown in the drawings illustrate portions of the fan assembly that form no part of the claimed design. The dash-dot-dash broken lines define the bounds of the claimed design and form no part thereof.

1 Claim, 5 Drawing Sheets



(56)

References Cited

U.S. PATENT DOCUMENTS

D780,902 S 3/2017 Gajewski
9,605,685 B2* 3/2017 Wang F04D 29/34
D817,472 S * 5/2018 Schulzman D23/377
D818,572 S 5/2018 Gajewski
D828,535 S * 9/2018 Searle D23/377
D849,225 S * 5/2019 Schulzman D23/377
D851,233 S * 6/2019 Gajewski D23/377
D853,554 S * 7/2019 Biancuzzo D23/413
D873,404 S * 1/2020 Biancuzzo D23/377
D886,979 S * 6/2020 Gorali D23/377
2007/0104583 A1* 5/2007 Gajewski F04D 29/34
416/210 R
2015/0336504 A1* 11/2015 Birgen F21V 33/0096
362/516

OTHER PUBLICATIONS

Fanimation MAD8531BN Wrap Custom Motor, date first available
Mar. 6, 2019, site visited Dec. 17, 2020, Copyright © 1996-2020,
<https://www.amazon.com/dp/B07PFLQGVT/ref=sbl_dpx_B07PGR5Z82_0>.*

* cited by examiner

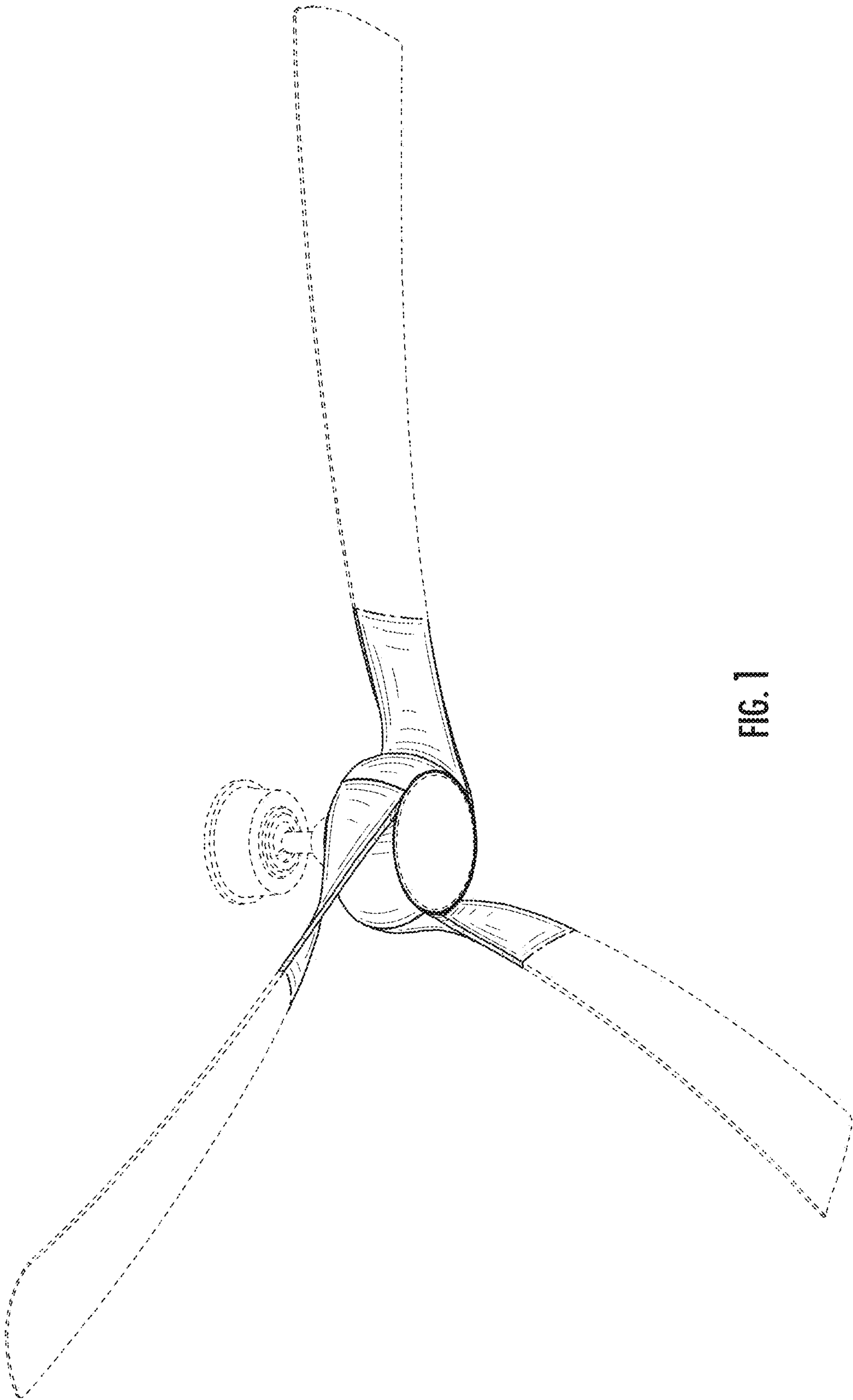


FIG. 1

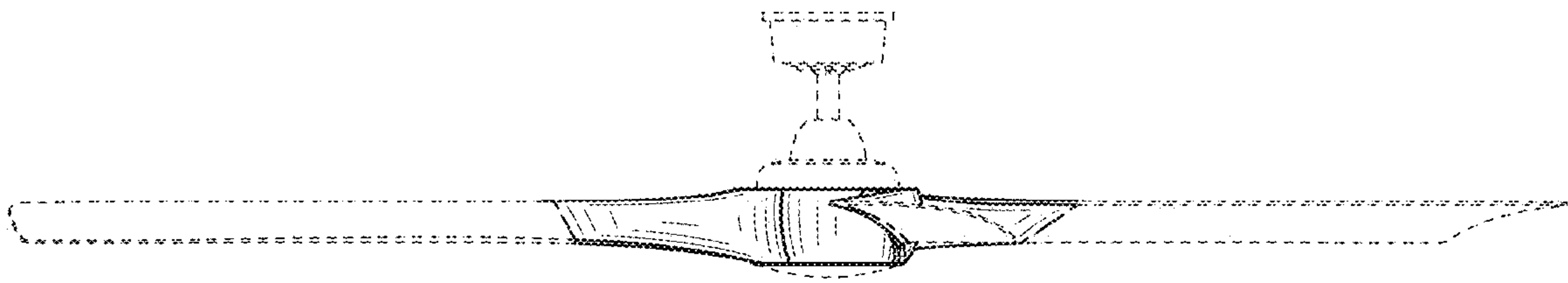


FIG. 2

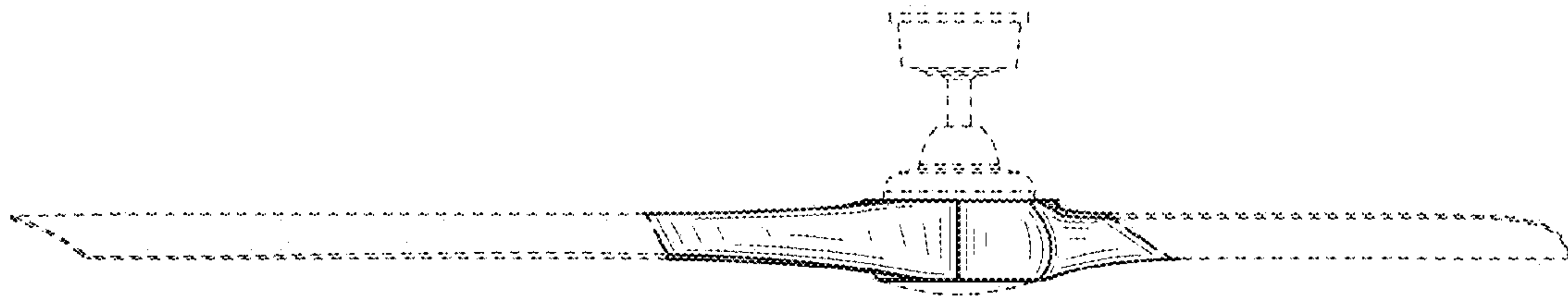


FIG. 3

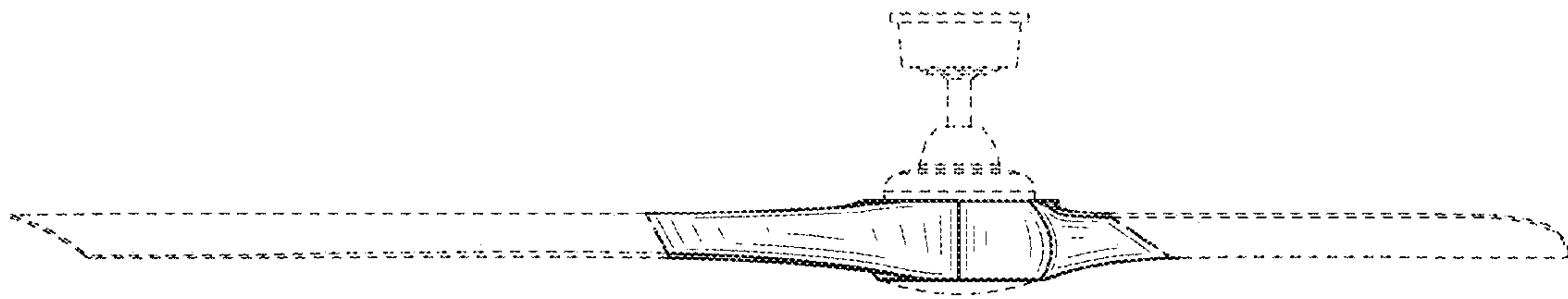


FIG. 4

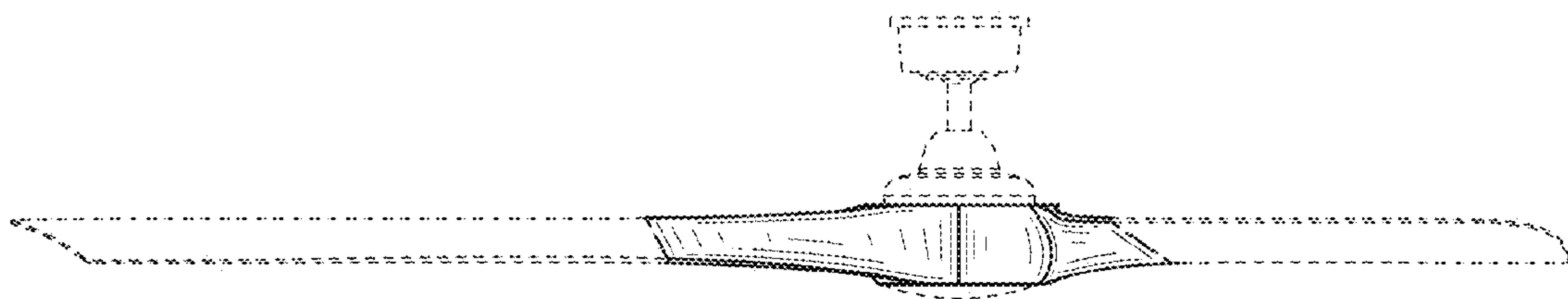


FIG. 5

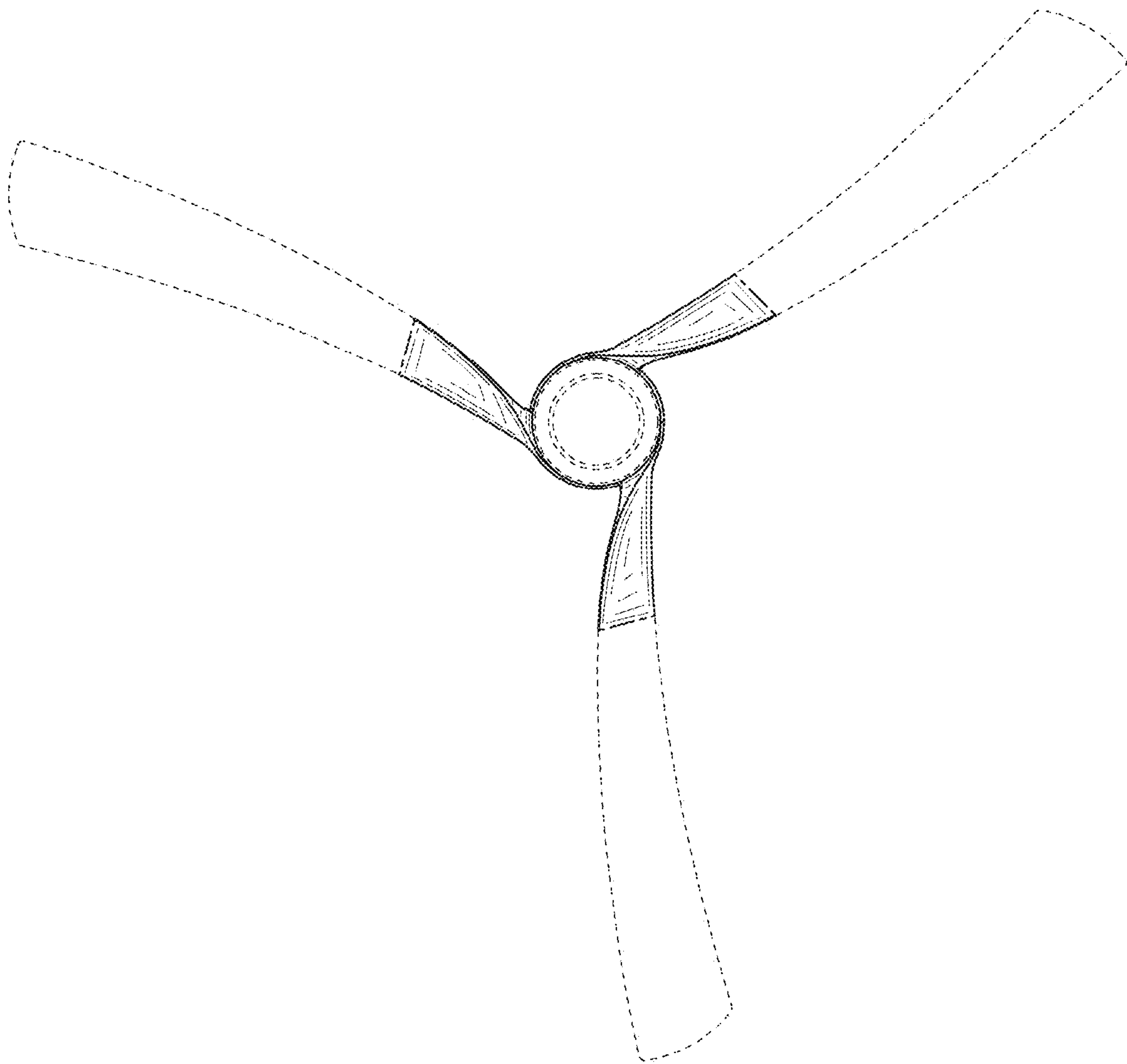


FIG. 6

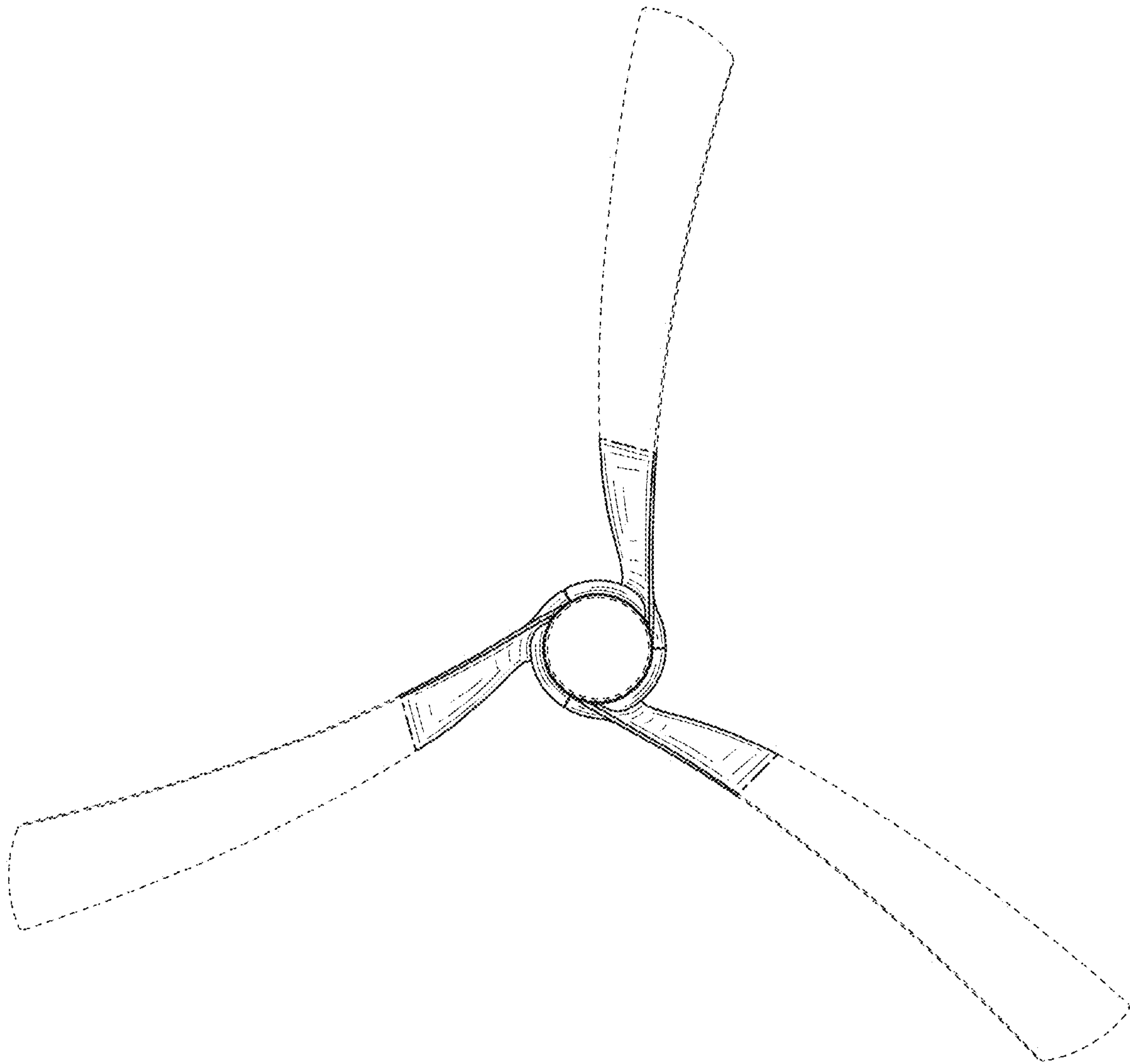


FIG. 7