



US00D933187S

(12) **United States Design Patent** (10) **Patent No.:** **US D933,187 S**
McRoberts (45) **Date of Patent:** **** Oct. 12, 2021**

(54) **CEILING FAN**

(71) Applicant: **Hunter Fan Company**, Memphis, TN (US)

(72) Inventor: **Claire Bernice McRoberts**, Memphis, TN (US)

(73) Assignee: **Hunter Fan Company**, Memphis, TN (US)

(**) Term: **15 Years**

(21) Appl. No.: **29/685,884**

(22) Filed: **Apr. 1, 2019**

(51) **LOC (13) Cl.** **23-04**

(52) **U.S. Cl.**
USPC **D23/377**

(58) **Field of Classification Search**
USPC D23/370, 377, 379, 385, 411, 413;
D26/59; D12/214, 339, 344
CPC F04D 25/088; F04D 29/38; F04D 29/384;
F04D 29/386; F21V 33/0096
See application file for complete search history.

(56) **References Cited**

U.S. PATENT DOCUMENTS

D420,120 S	2/2000	Evans	
D434,134 S	11/2000	Frampton	
D437,406 S	2/2001	Frampton	
D444,870 S	7/2001	Lee	
D490,182 S *	5/2004	Benensohn	D26/79
D516,707 S	3/2006	Frampton	
D517,688 S *	3/2006	Frampton	D23/413
D599,473 S	9/2009	Klausing et al.	
D620,101 S *	7/2010	Frampton	D23/413
D739,001 S *	9/2015	Crisa'	D23/372
D743,528 S	11/2015	Wang	
D745,134 S *	12/2015	Wang	D23/413
D804,641 S	12/2017	McRoberts et al.	

D872,251 S *	1/2020	Haggar	D23/377
D872,252 S *	1/2020	McRoberts	D23/377
D900,301 S *	10/2020	Haggar	D23/411
2016/0319842 A1 *	11/2016	Botkin	F04D 25/088

OTHER PUBLICATIONS

<https://www.hunterfan.com/ceiling-fans/casablanca-academy-motor-fan006>, Casablanca Fan Company, Academy Motor Ceiling Fan, Item No. 54084, accessed Jun. 21, 2018.
<http://www.craftmade.com/Craftmade-PU52SS5-Stainless-Steel-Ceiling-Fan.HTM>, Craftmade Pulsar, 52" Stainless Steel Ceiling Fan with LED Light and Remote, Model No. PU52SS5-LED, accessed Jun. 21, 2018.

(Continued)

Primary Examiner — Sharon S Oum

(74) *Attorney, Agent, or Firm* — McGarry Bair PC

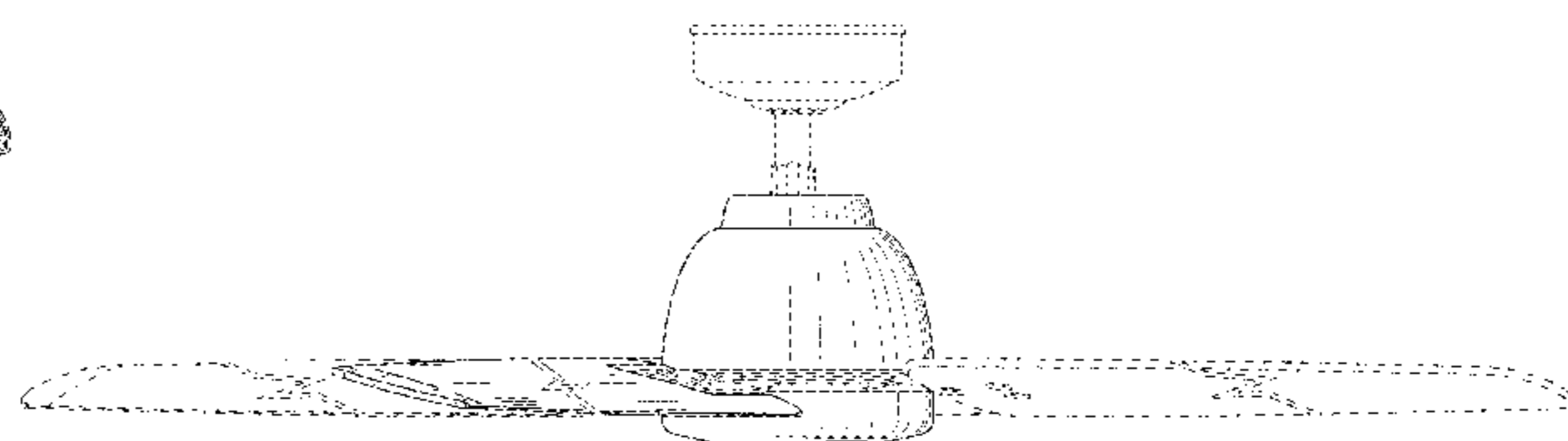
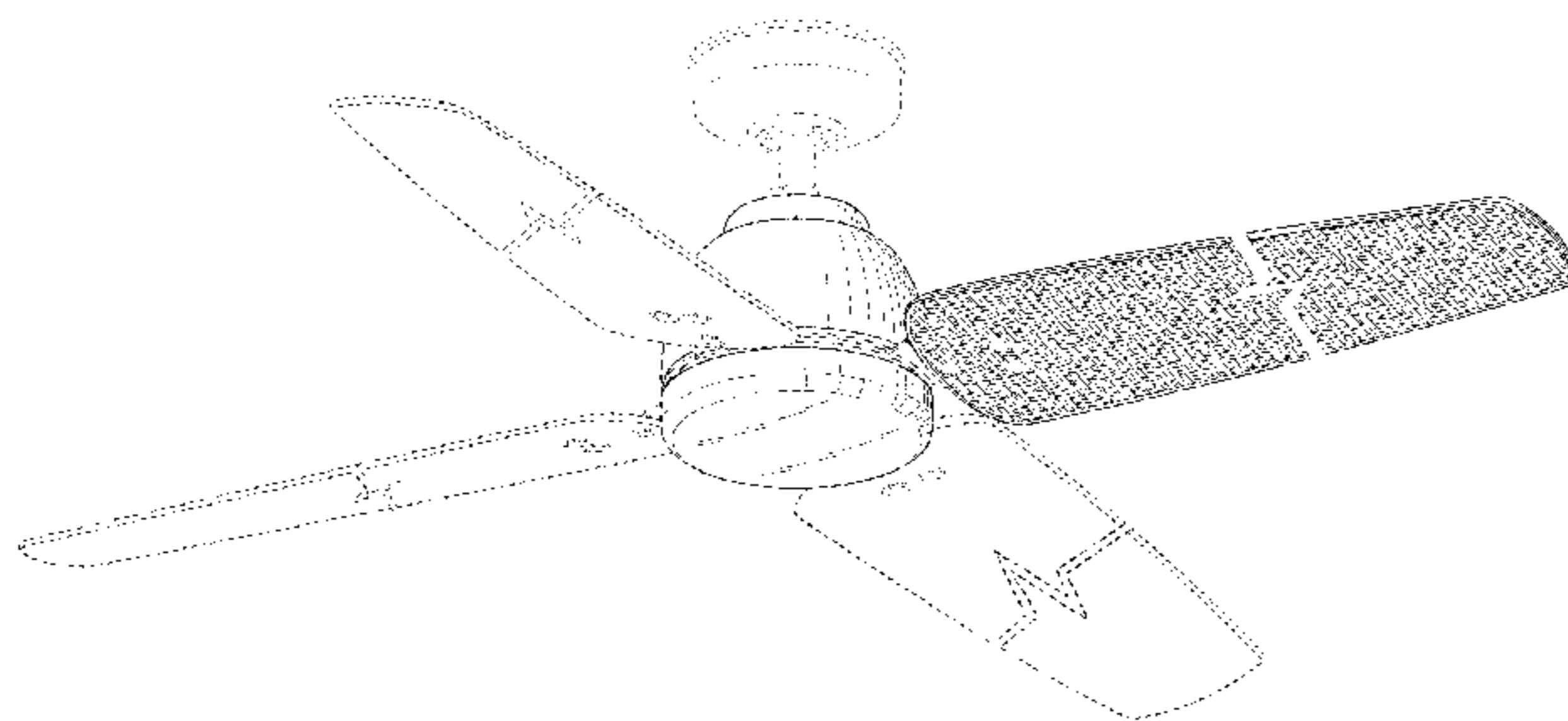
(57) **CLAIM**

The ornamental design for a ceiling fan, as shown and described.

DESCRIPTION

FIG. 1 is a bottom perspective view of a ceiling fan, showing my new design;
FIG. 2 is a top view thereof;
FIG. 3 is a bottom view thereof;
FIG. 4 is a right side view thereof;
FIG. 5 is a front view thereof;
FIG. 6 is a left side view thereof; and,
FIG. 7 is a rear view thereof.
Portions of the ceiling fan shown in broken lines form no part of the claimed design. The ceiling fan blades are shown with a symbolic break in their length. The appearance of any portion of the ceiling fan blades between the break lines forms no part of the claimed design.

1 Claim, 7 Drawing Sheets



(56)

References Cited

OTHER PUBLICATIONS

<http://www.quoruminternational.com/index.cfm/app/productDetail?product=39525-86>, Quorum International, Metro 52" Oiled Bronze Ceiling Fan, Model No. 39525-86, accessed Jun. 21, 2018.

<http://ceilingfans.emerson.com/en/shop/fan/fans-s-emerson-fans/fans-s-contemporary/euclid-fan-p-cf500>, Emerson, Euclid Modern 56" 5-Blade Ceiling Fan, Model No. P-CF500, accessed Jun. 21, 2018.

<http://www.kichler.com/products/product/42-bowen-ceiling-fan-ni-330241ni.aspx>, Kichler, Bowen Ceiling Fan Collection, 42" Bowen Ceiling Fan in Brushed Nickel, Model No. 330241NI, accessed Jun. 21, 2018.

<https://www.minkagroup.net/f8521-bn.html>, Minka Group, Alva 56" 5-Blade Ceiling Fan with LED Light in Brushed Nickel Finish with Seashore Grey Blades, Model No. F85L-BN, accessed Jun. 14, 2018.

<https://www.homedepot.com/GE-Daelyn-54-in-LED-Indoor-Brushed-Nickel-Ceiling-Fan-with-SkyPlug-Technology-20697/207197395>, GE, Daelyn 54 in. LED Indoor Brushed Nickel Ceiling Fan with SkyPlug Technology, Model No. 20697, accessed Jun. 21, 2018.

<https://www.hunterfan.com/ceiling-fans/coral-bay-outdoor-with-light-52-inch-fan516>, Hunter Fan Company, Coral Bay Outdoor 52 inch Ceiling Fan with Light, Item No. 59420, accessed Jun. 21, 2018.

<https://www.homedepot.com/p/Hunter-Channelside-52-in-LED-Indoor-Outdoor-Noble-Bronze-Ceiling-Fan-with-Remote-Control-59040/206775128>, Hunter Fan Company, Channelside 52 in. LED Indoor/Outdoor Noble Bronze Ceiling Fan with Remote Control, Model No. 59040.

<https://www.minkagroup.net/f753-whf.html>, Minka Group, Java 54" 3-Blade Ceiling Fan in Flat White Finish and Flat White Blades, Model No. F753-WHF, accessed Jun. 21, 2018.

https://www.amazon.com/Hunter-Fan-Company-99363-Light/dp/B06X1B5BNV/ref=sr_1_5_?ie=UTF8&qid=1529431657&sr=8-5&keywords=hunter+vault+ceiling+fan, Hunter Fan Company 99363 Light Kit Matte Black, Model No. 99383, accessed Jun. 21, 2018.

<http://www.menards.com/main/p-1444424537879-c-7487.htm?tid=-5244648551955826367>, Turn of the Century, Montego Bay 52" Weathered Copper Transitional Wet-Rated Ceiling Fan, Model No. CP152115, accessed Jun. 21, 2018.

* cited by examiner

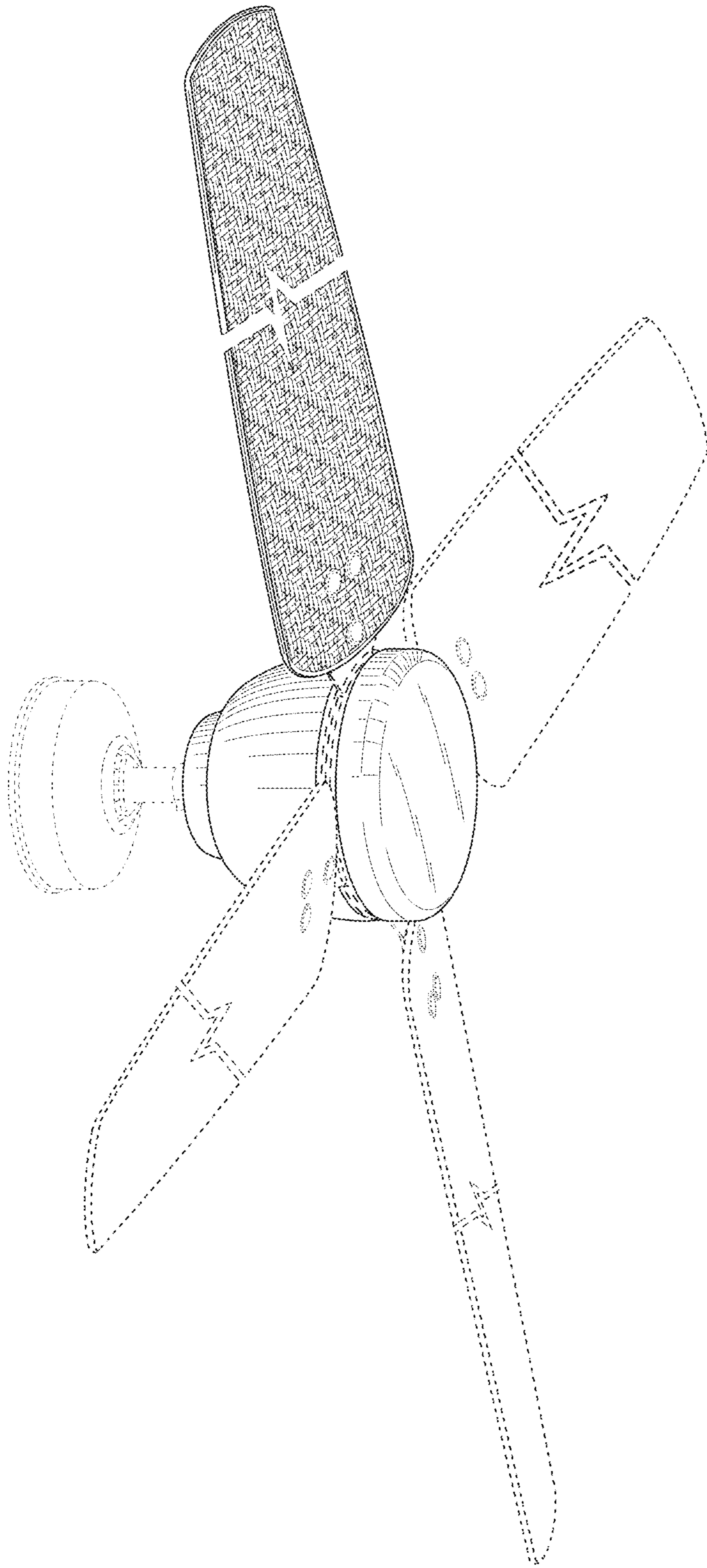


FIG. 1

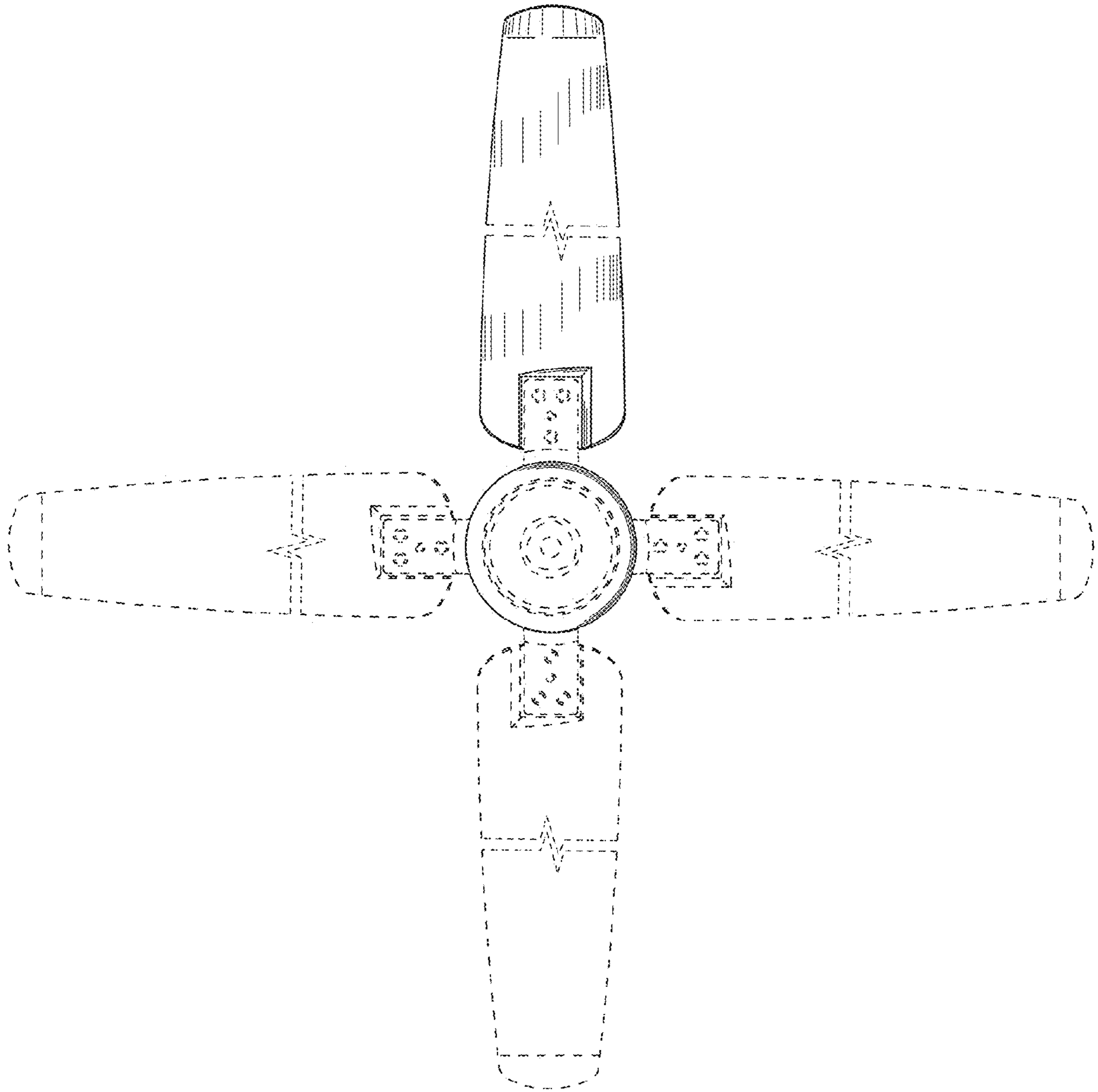


FIG. 2

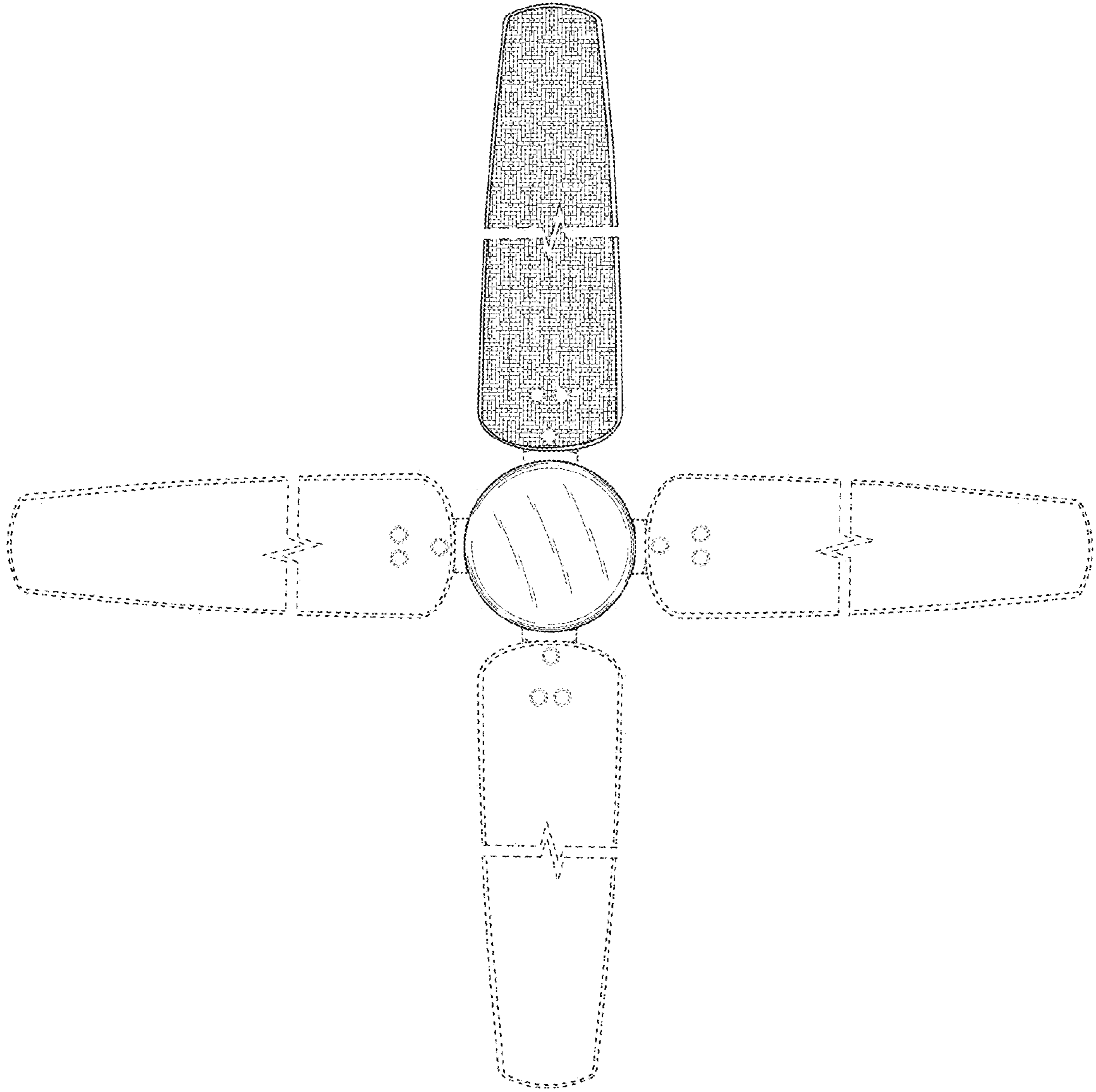


FIG. 3

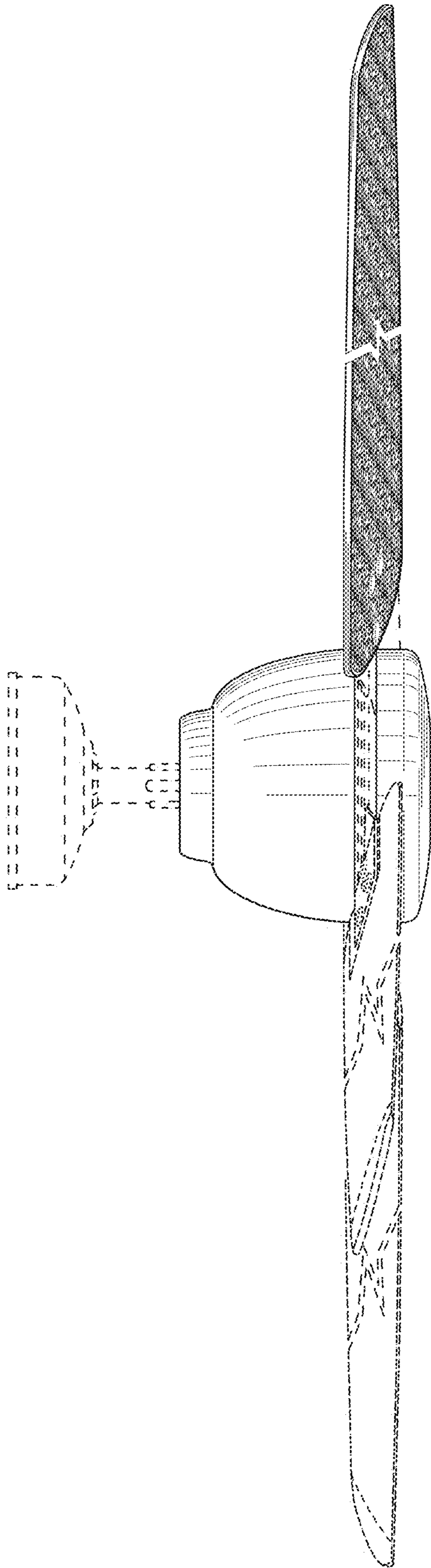


FIG. 4

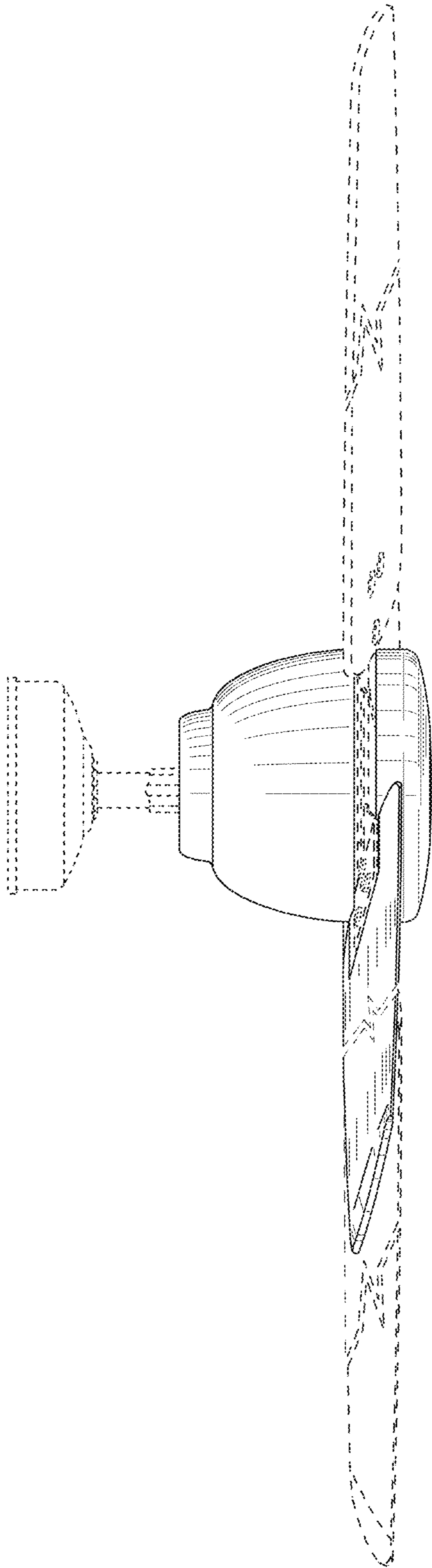


FIG. 5

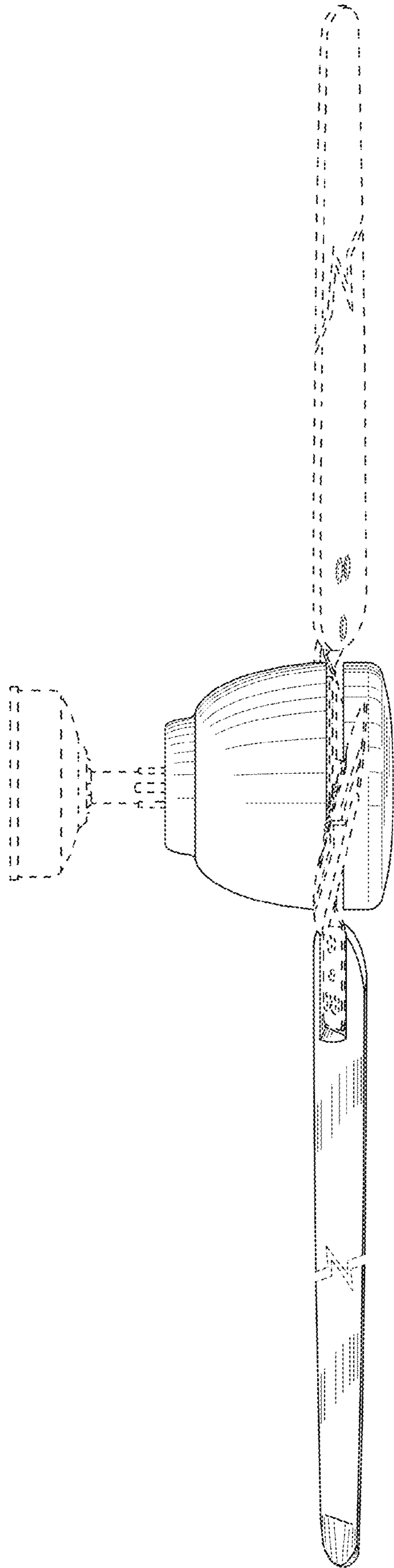


FIG. 6

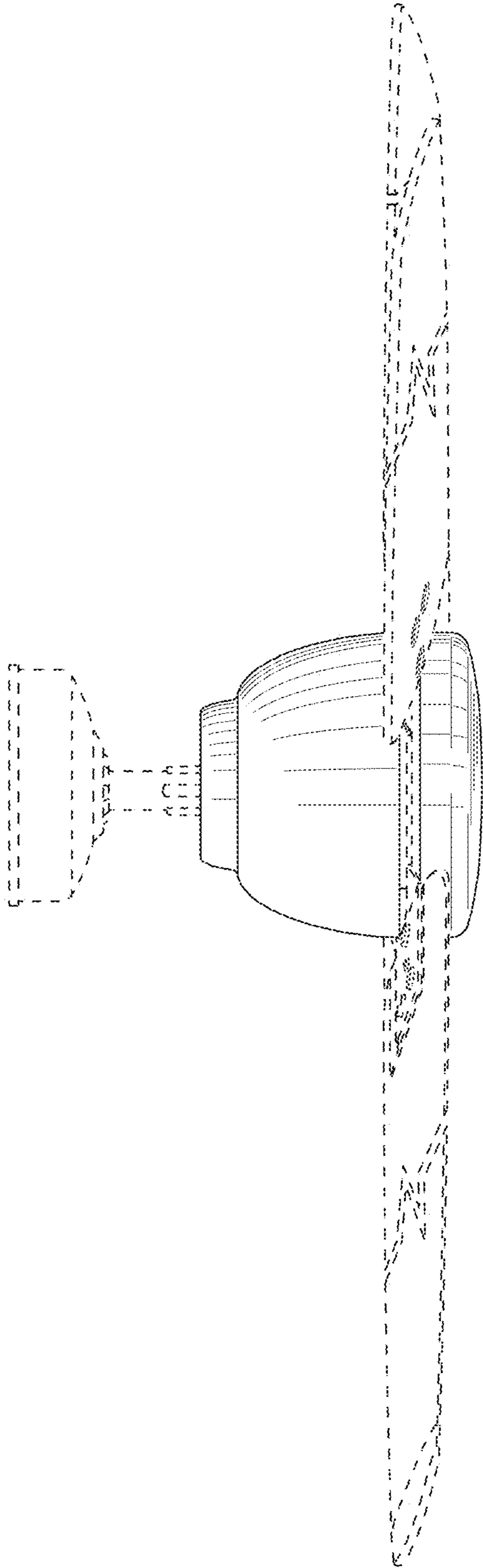


FIG. 7