



US00D933184S

(12) **United States Design Patent** (10) **Patent No.:** **US D933,184 S**
Patton et al. (45) **Date of Patent:** **** Oct. 12, 2021**

(54) **BASE UNIT FOR A DIFFUSER**
(71) Applicant: **Arome D'Art, LLC**, Costa Mesa, CA (US)
(72) Inventors: **Douglas Patton**, Costa Mesa, CA (US); **Jeffrey Thompson**, Costa Mesa, CA (US)
(73) Assignee: **Arome D'Art, LLC**, Newport Beach, CA (US)
(**) Term: **15 Years**
(21) Appl. No.: **29/716,903**
(22) Filed: **Dec. 12, 2019**
(51) **LOC (13) Cl.** **23-04**
(52) **U.S. Cl.**
USPC **D23/366**
(58) **Field of Classification Search**
USPC D23/209, 355, 356, 358, 359, 360, 364, D23/365, 366, 367; D99/5; D24/217; D32/1; D13/107
CPC . A61L 9/03; A61L 9/012; A61L 9/015; A61L 9/037; F41J 1/01
See application file for complete search history.

(56) **References Cited**

U.S. PATENT DOCUMENTS

D427,564 S * 7/2000 Wu D13/107
D427,966 S * 7/2000 Foster D13/107
D427,967 S * 7/2000 Lloyd D13/107
D460,412 S * 7/2002 Nawrozki D13/107
D467,867 S * 12/2002 Hsiao D13/107
D468,685 S * 1/2003 Jacobs D13/107
D542,900 S * 5/2007 Snow D23/356
D555,087 S * 11/2007 Brefka D13/107

D672,308 S * 12/2012 Cobbett D13/107
D734,717 S * 7/2015 Dvorak D13/107
D772,388 S * 11/2016 Hamilton D23/356
D886,267 S * 6/2020 Hamilton D23/356
D894,369 S * 8/2020 Salmon D24/110
D895,540 S * 9/2020 Hasenmayer D13/107
D904,293 S * 12/2020 Wersland D13/107

(Continued)

Primary Examiner — John A Voytek

(74) *Attorney, Agent, or Firm* — Ryan Dean; Umberg Zipser LLP

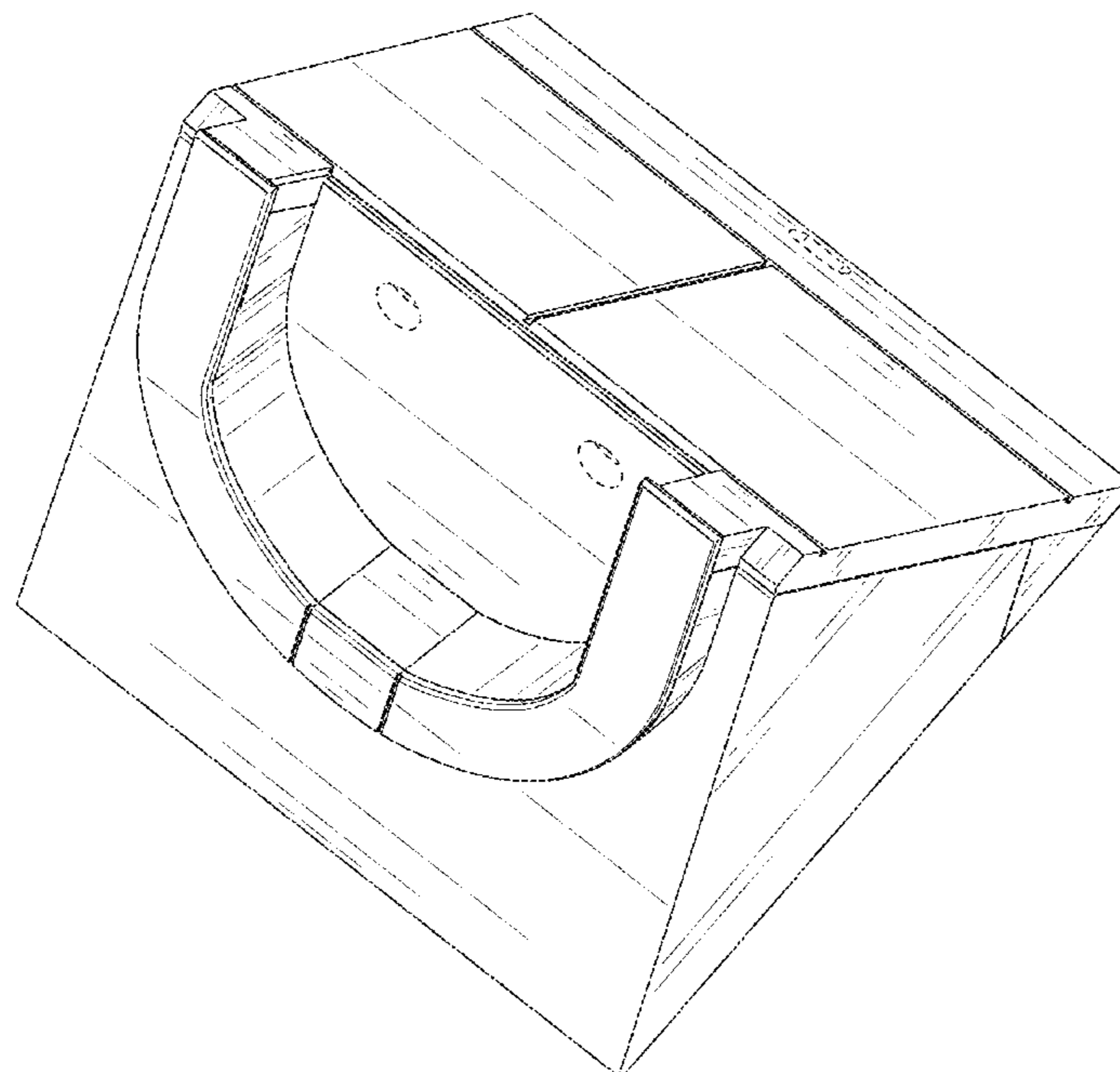
(57) **CLAIM**

We claim the ornamental design for a base unit for a diffuser, as shown and described.

DESCRIPTION

FIG. 1 is a perspective view of a first embodiment of the base unit.
FIG. 2 is a front elevation view of the base unit of FIG. 1.
FIG. 3 is a back elevation view of the base unit of FIG. 1.
FIG. 4 is a left side elevation view of the base unit of FIG. 1.
FIG. 5 is a right side elevation view of the base unit of FIG. 1.
FIG. 6 is a top plan view of the base unit of FIG. 1.
FIG. 7 is a bottom plan view of the base unit of FIG. 1.
FIG. 8 is a perspective view of a second embodiment of the base unit.
FIG. 9 is a front elevation view of the base unit of FIG. 8.
FIG. 10 is a back elevation view of the base unit of FIG. 8.
FIG. 11 is a left side elevation view of the base unit of FIG. 8.
FIG. 12 is a right side elevation view of the base unit of FIG. 8.
FIG. 13 is a top plan view of the base unit of FIG. 8; and, FIG. 14 is a bottom plan view of the base unit of FIG. 8.

1 Claim, 14 Drawing Sheets



(56)

References Cited

U.S. PATENT DOCUMENTS

2012/0146251 A1* 6/2012 Heine A61M 16/1095
261/128
2021/0106712 A1* 4/2021 Lee A61L 9/03

* cited by examiner

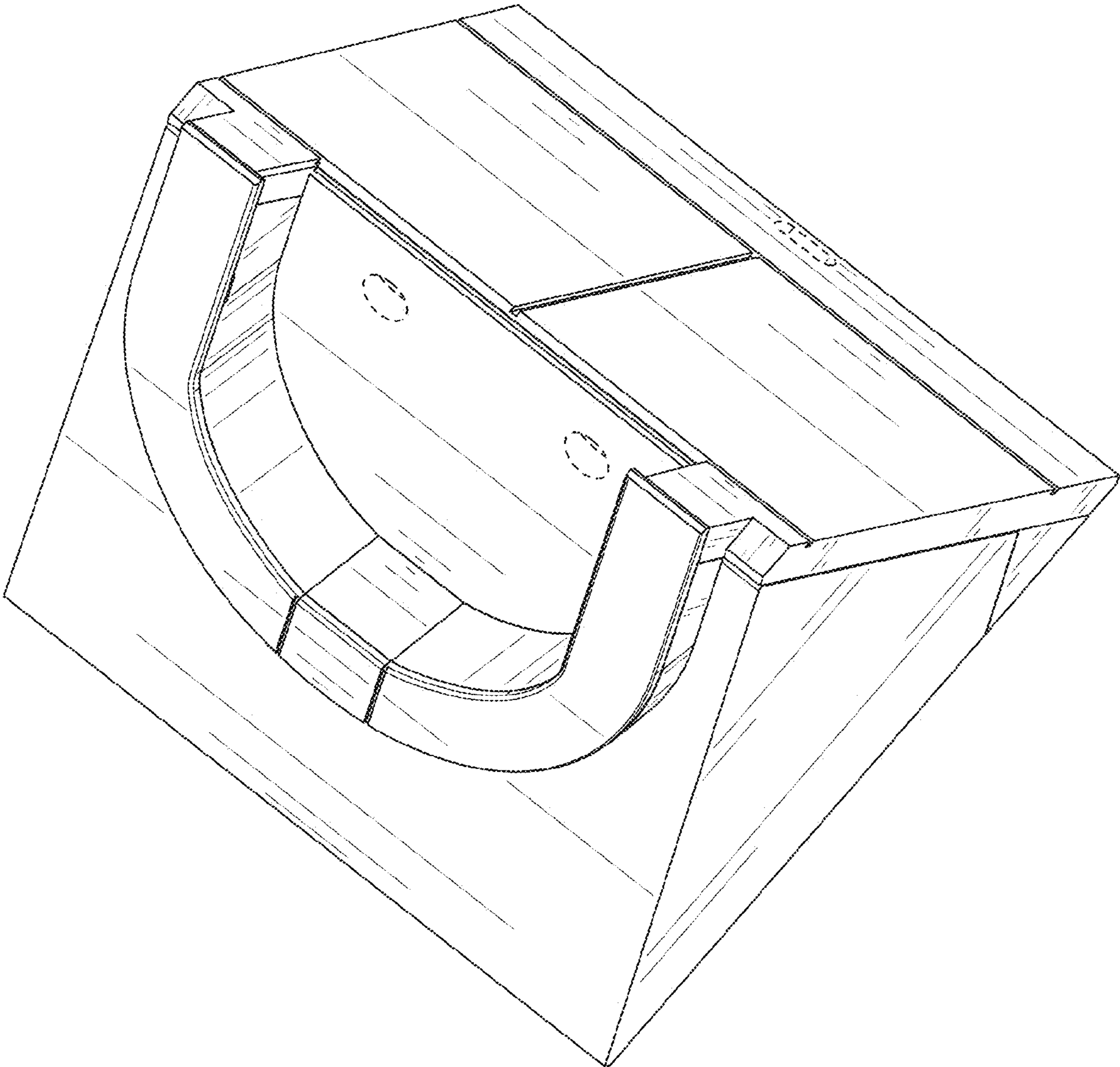


FIG. 1

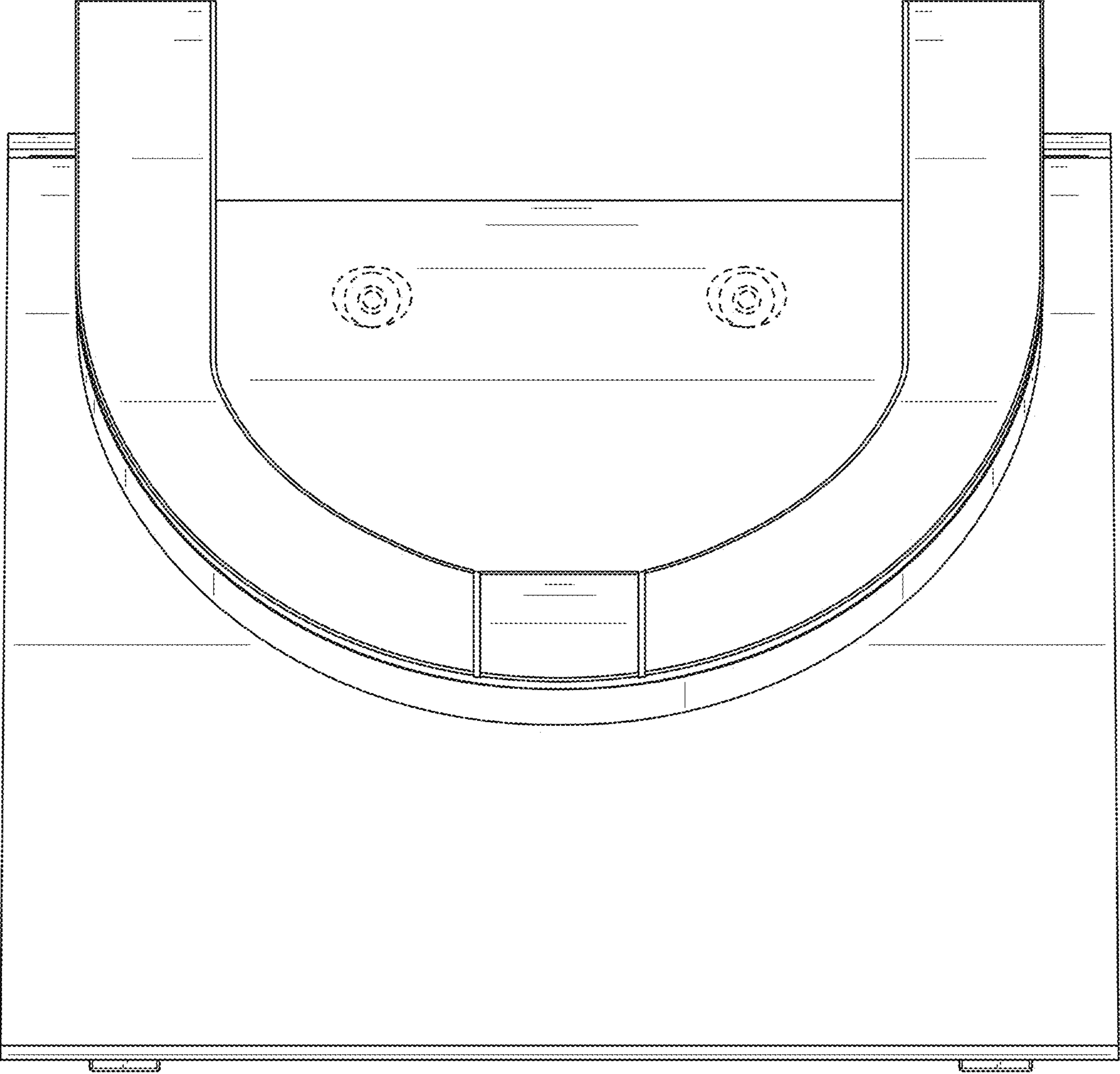


FIG. 2

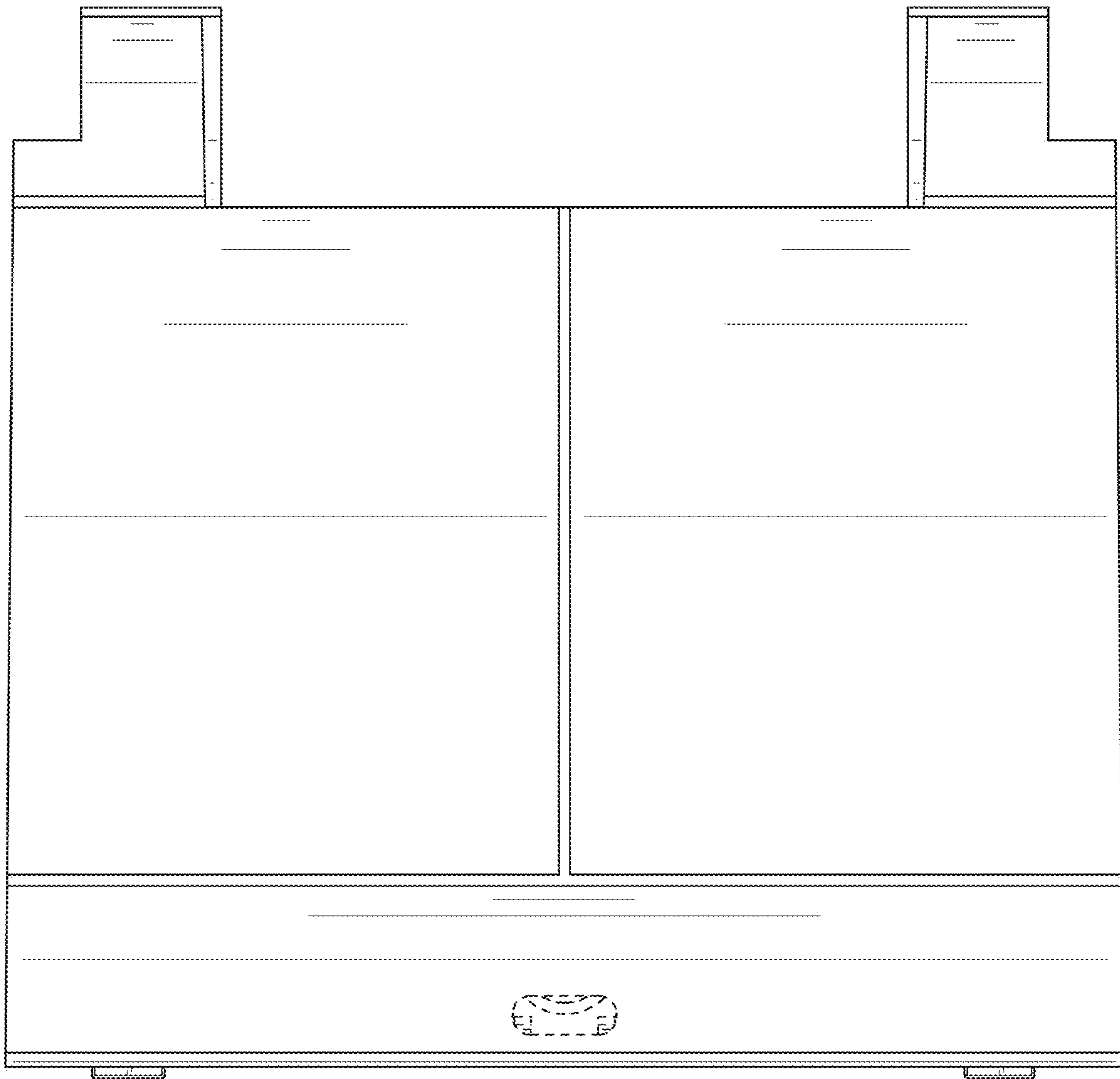


FIG. 3

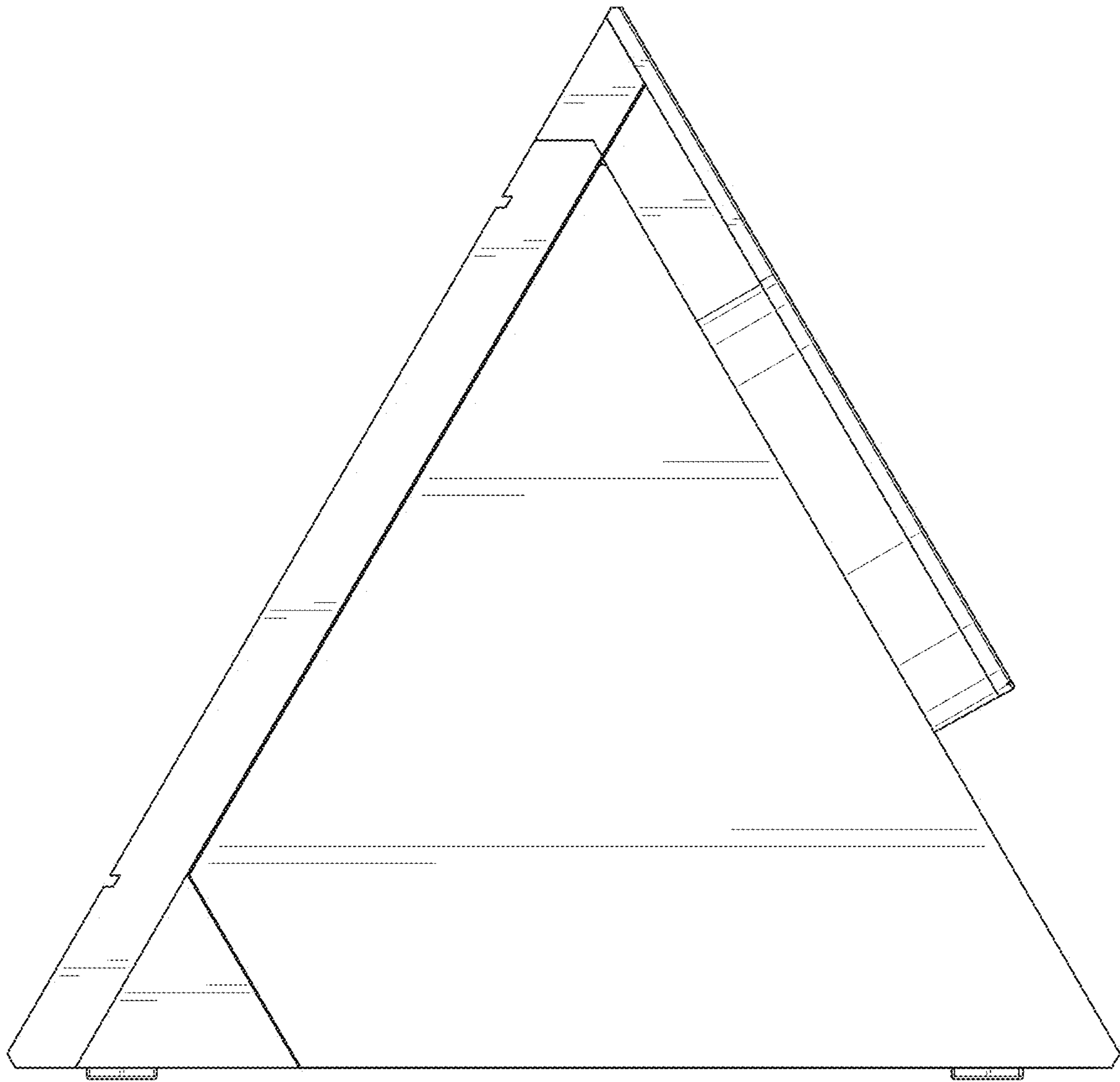


FIG. 4

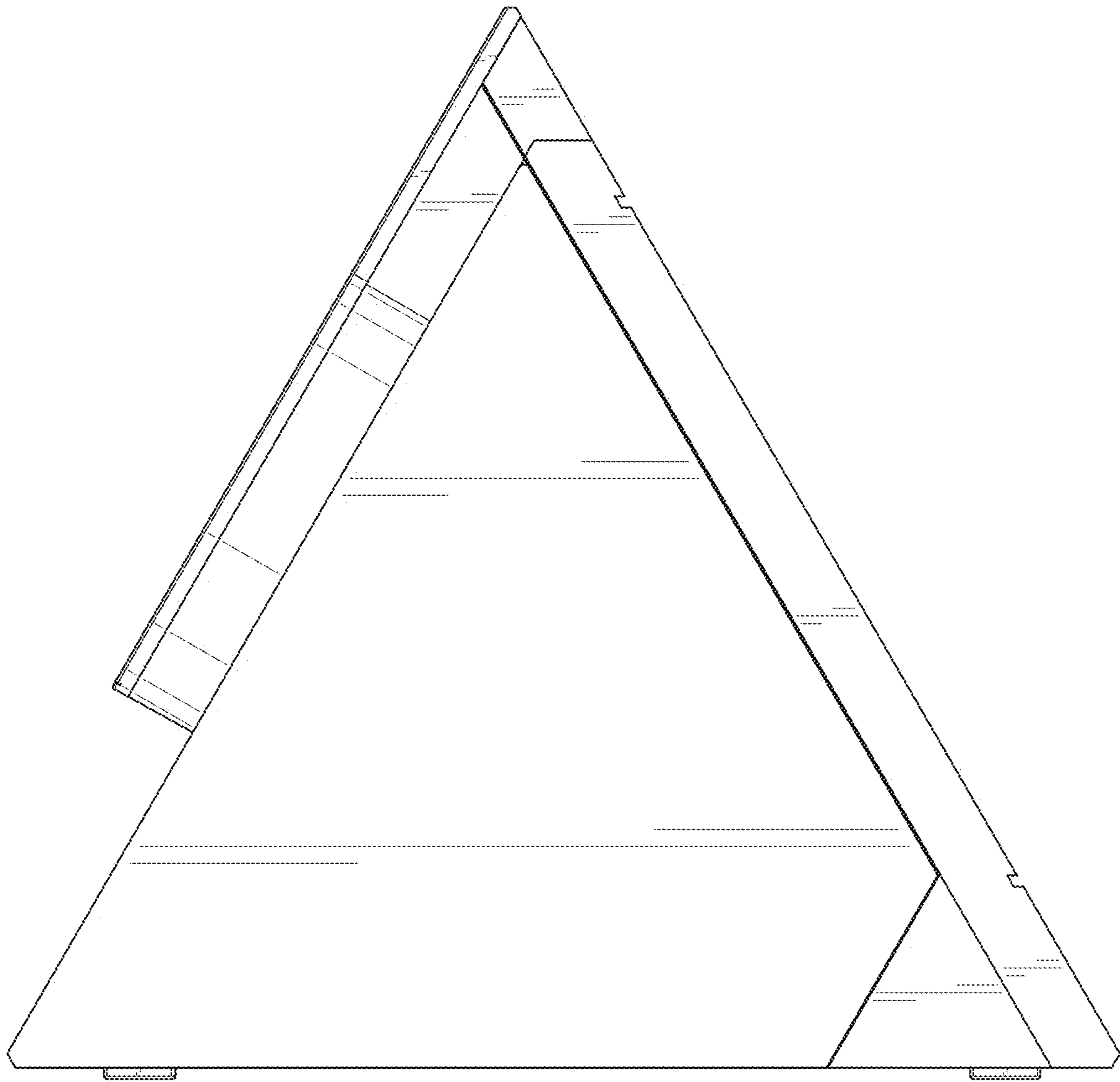


FIG. 5

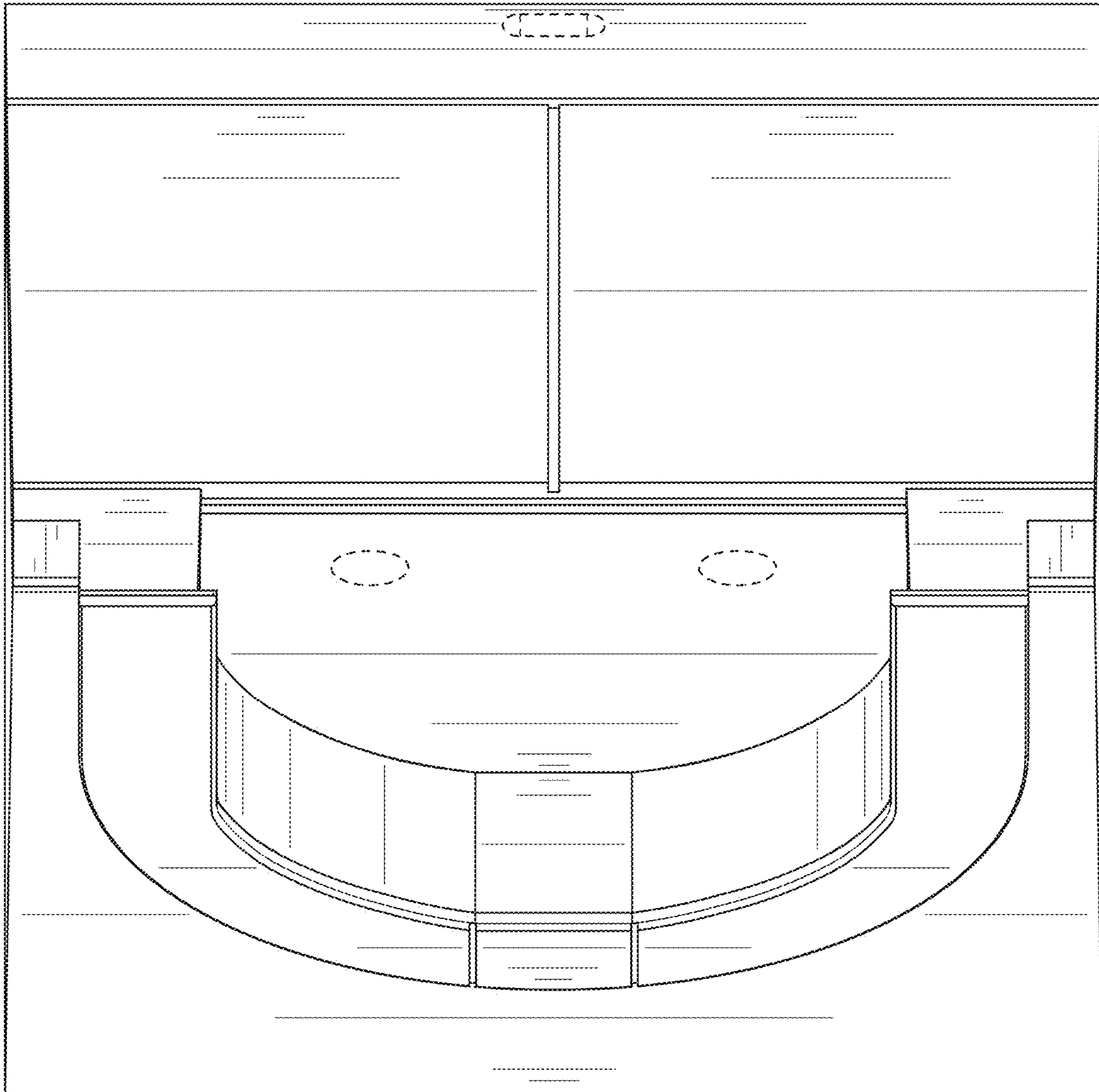


FIG. 6

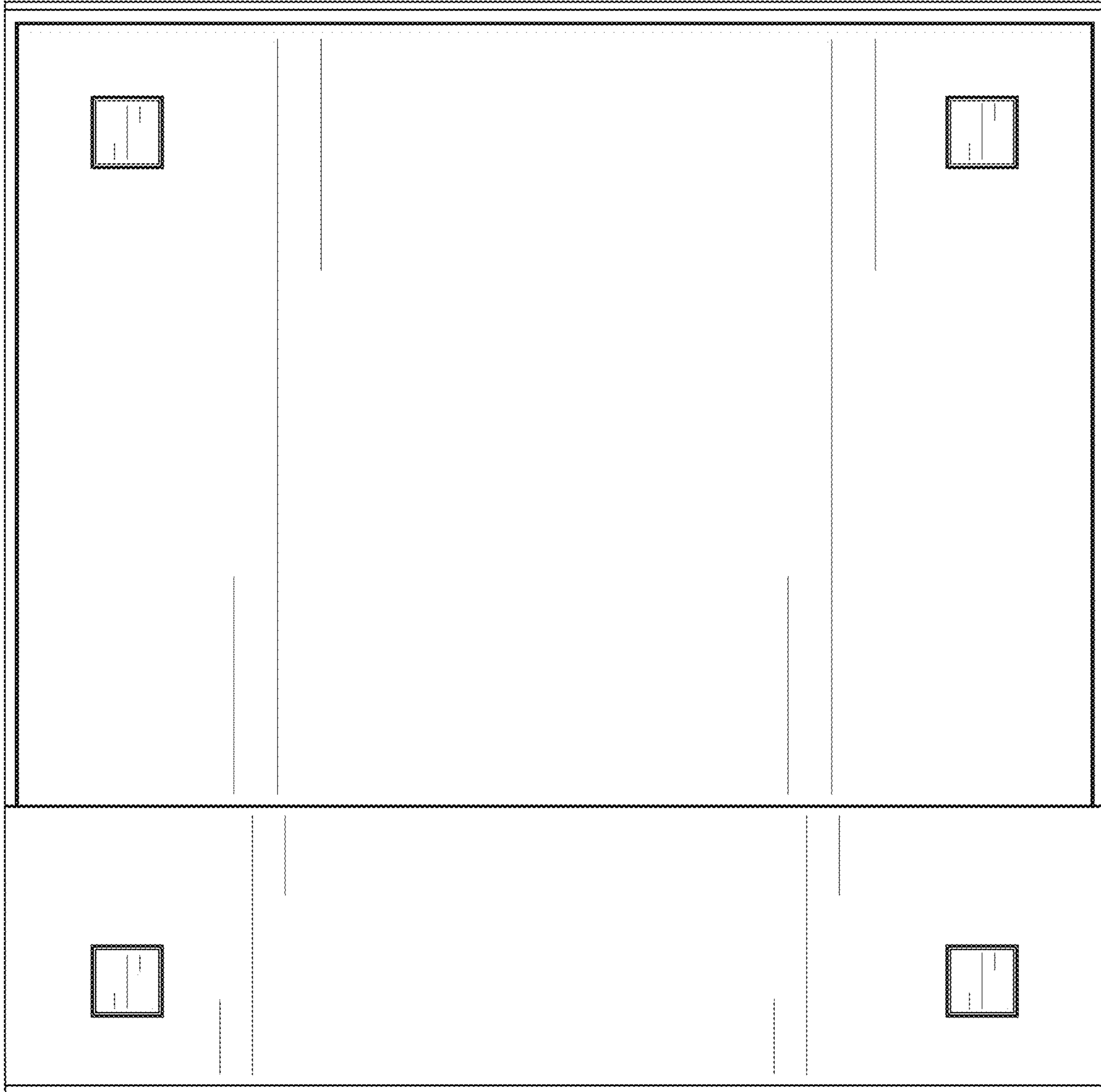


FIG. 7

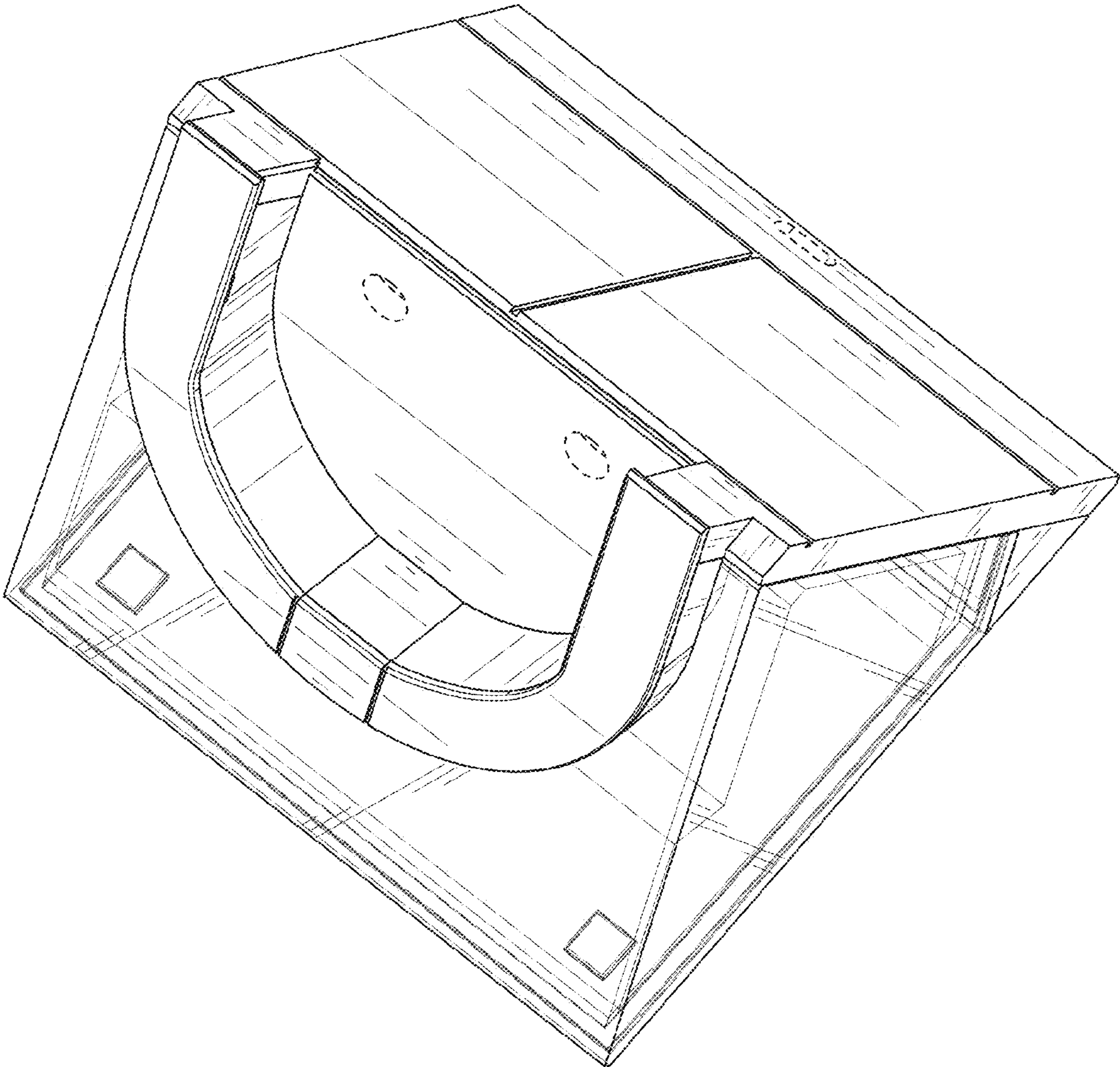


FIG. 8

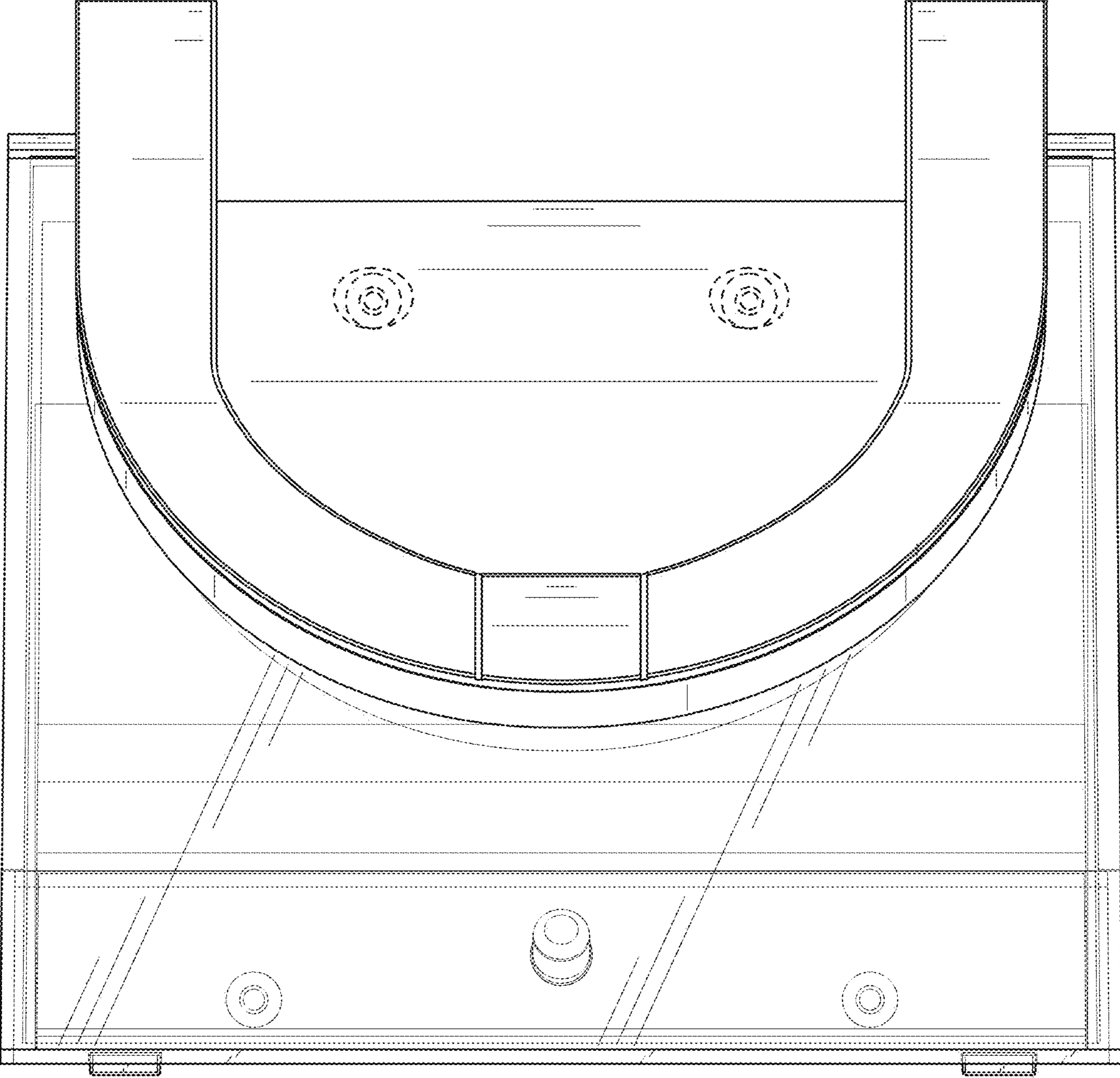


FIG. 9

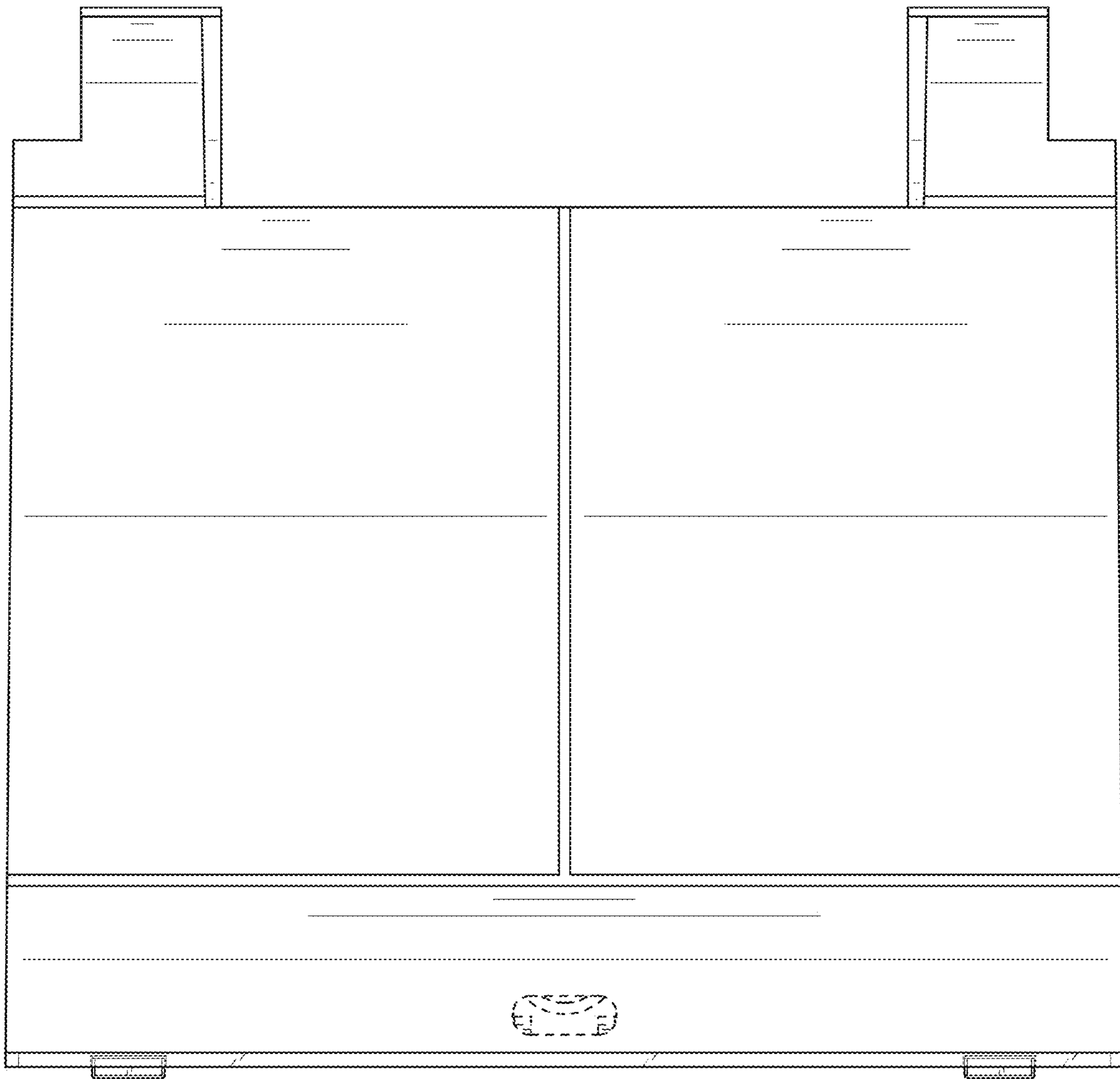


FIG. 10

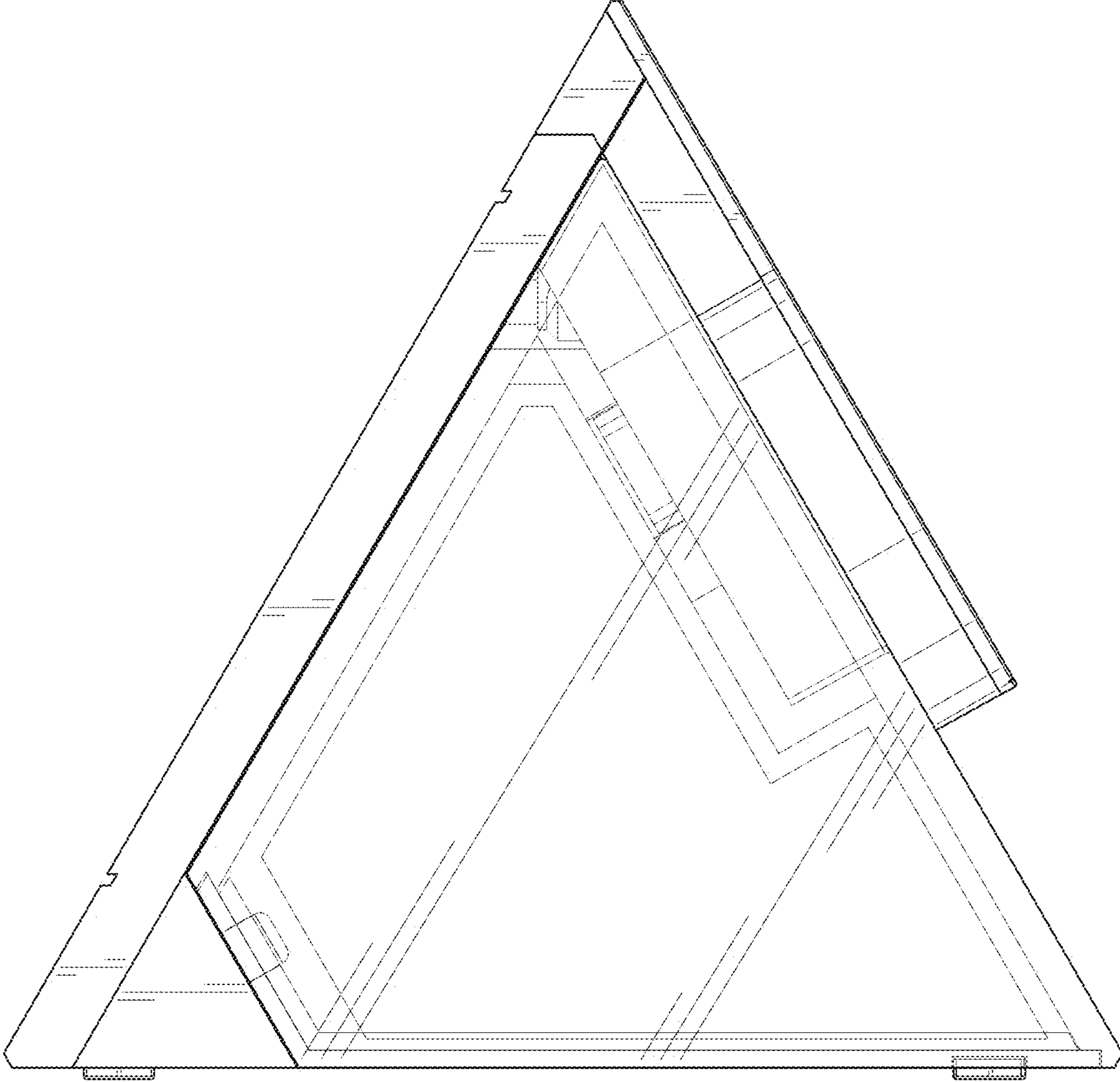


FIG. 11

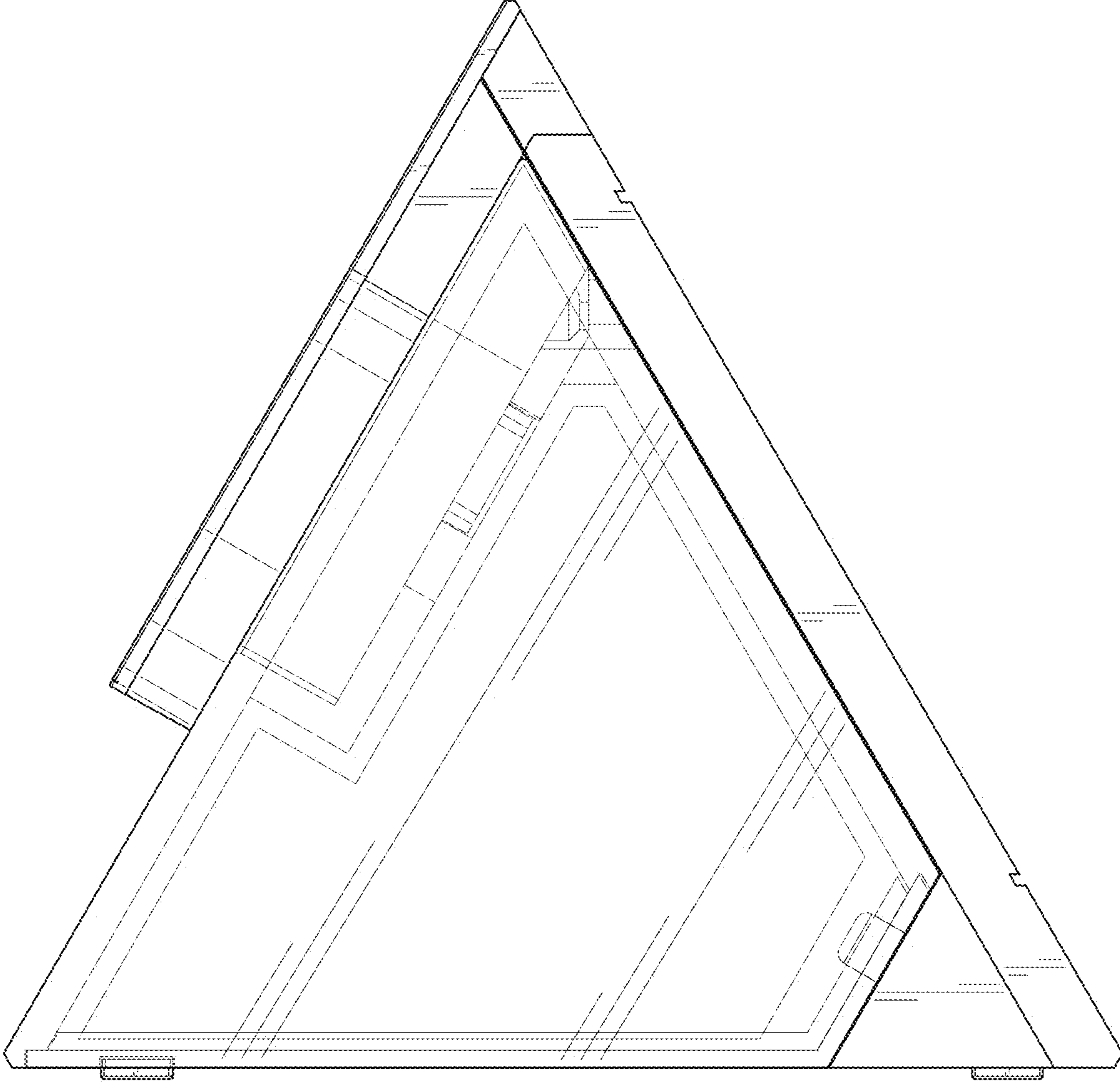


FIG. 12

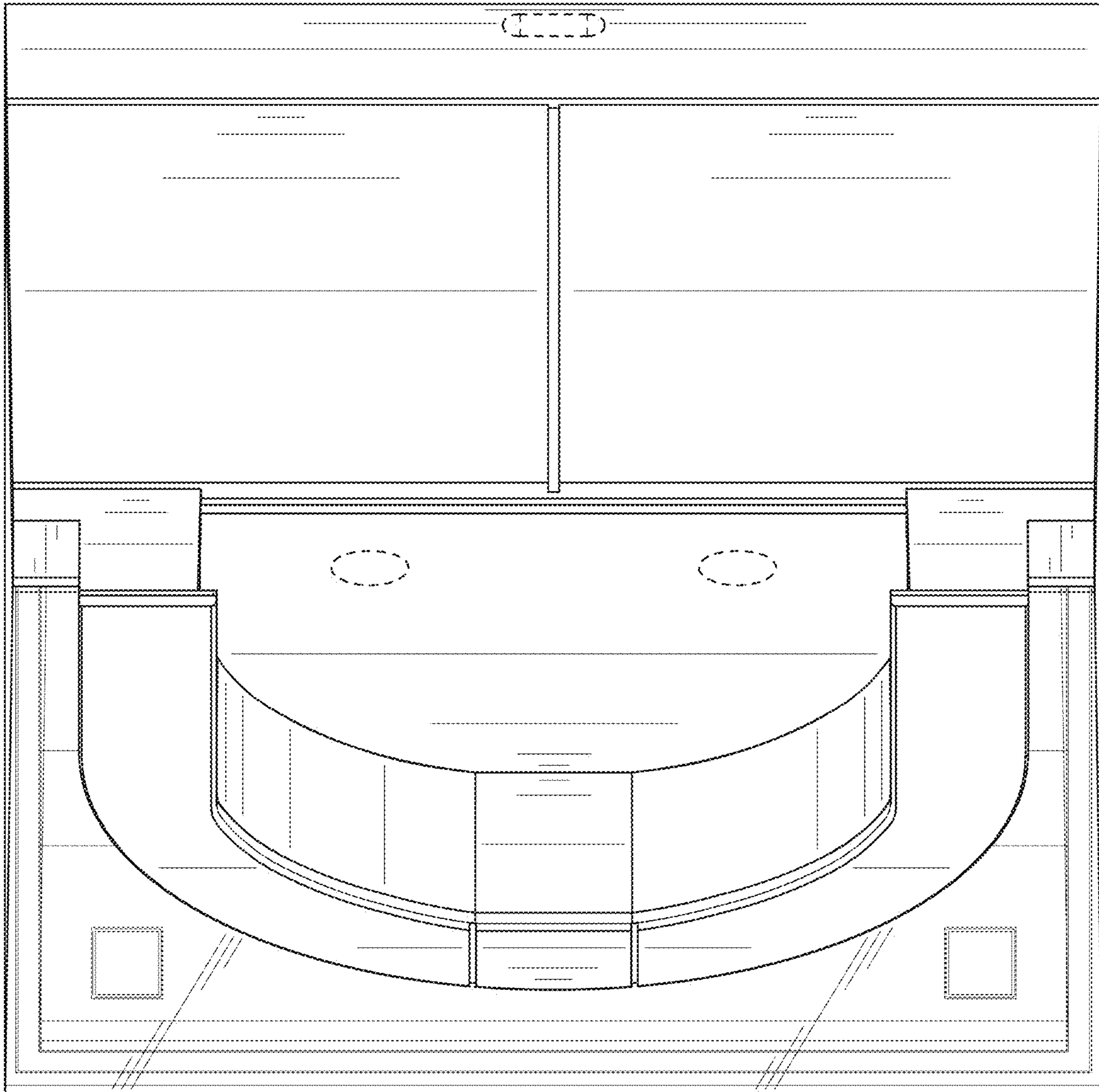


FIG. 13

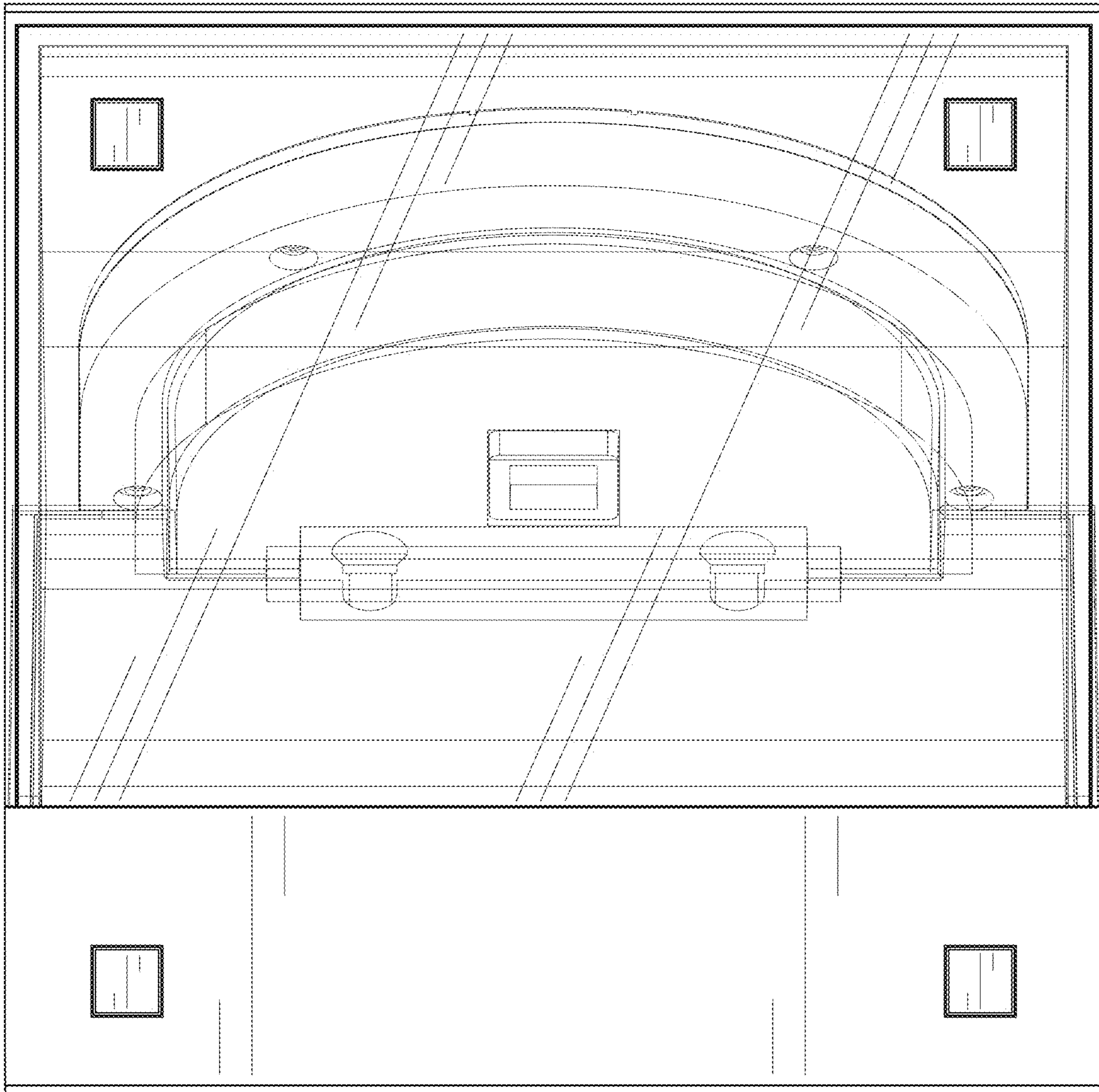


FIG. 14