



US00D933183S

(12) **United States Design Patent**
Leyden et al.

(10) **Patent No.:** **US D933,183 S**

(45) **Date of Patent:** **** Oct. 12, 2021**

(54) **DIFFUSER**

(71) Applicant: **The Coleman Company, Inc.**, Wichita, KS (US)

(72) Inventors: **Chris Leyden**, Portage, MI (US);
Adrienne Pennington, Portage, MI (US)

(73) Assignee: **The Coleman Company, Inc.**, Wichita, KS (US)

(**) Term: **15 Years**

(21) Appl. No.: **29/708,345**

(22) Filed: **Oct. 4, 2019**

(51) **LOC (13) Cl.** **23-04**

(52) **U.S. Cl.**
USPC **D23/366**

(58) **Field of Classification Search**
USPC D23/209, 355, 356, 358, 359, 360, 364,
D23/365, 366, 367; D99/5
CPC . A61L 9/03; A61L 9/012; A61L 9/015; A61L
9/037; F41J 1/01
See application file for complete search history.

(56) **References Cited**

U.S. PATENT DOCUMENTS

D380,820 S * 7/1997 Levine D23/356
D395,491 S * 6/1998 Jane' D23/356

D766,415 S * 9/2016 Kim D23/364
D789,502 S * 6/2017 Cartwright D23/356
D818,094 S * 5/2018 Cartwright D23/356
D854,131 S * 7/2019 Ediger D23/356
D870,873 S * 12/2019 Chen D23/356
D893,693 S * 8/2020 Xiao D23/356
D898,175 S * 10/2020 Liu D23/356
D898,886 S * 10/2020 Israel D23/356
D903,844 S * 12/2020 Chen D23/356

* cited by examiner

Primary Examiner — John A Voytek

(74) *Attorney, Agent, or Firm* — Husch Blackwell LLP

(57) **CLAIM**

We claim the ornamental design for a diffuser, as shown and described.

DESCRIPTION

FIG. 1 is a perspective view of a diffuser according to our new design;
FIG. 2 is a top plan view thereof;
FIG. 3 is a front elevation view thereof;
FIG. 4 is a left side elevation view thereof;
FIG. 5 is a right side elevation view thereof;
FIG. 6 is a rear elevation view thereof; and,
FIG. 7 is a bottom plan view thereof.
In the drawings, the broken lines depict portions of the diffuser that form no part of the claimed design.

1 Claim, 4 Drawing Sheets

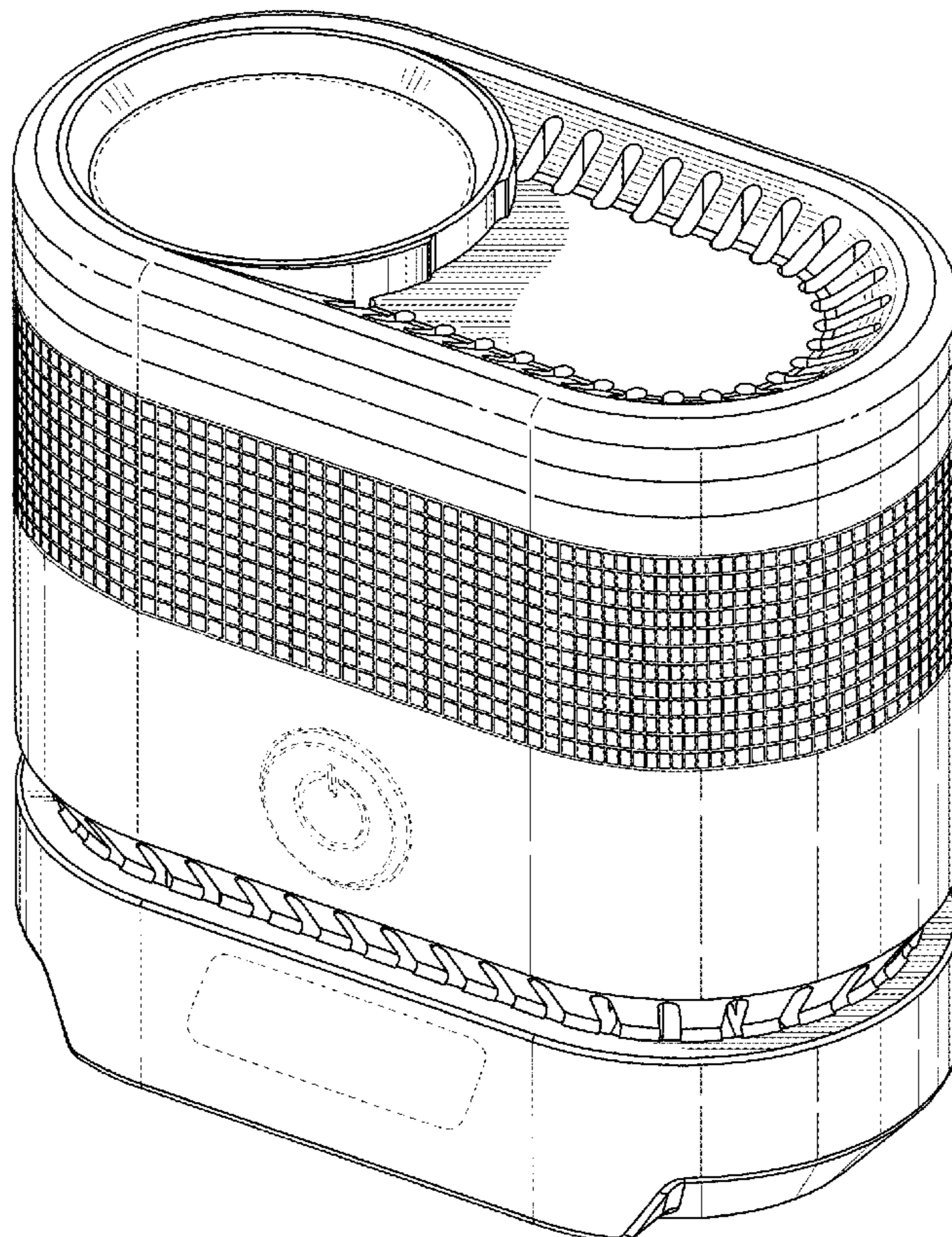


FIG. 1

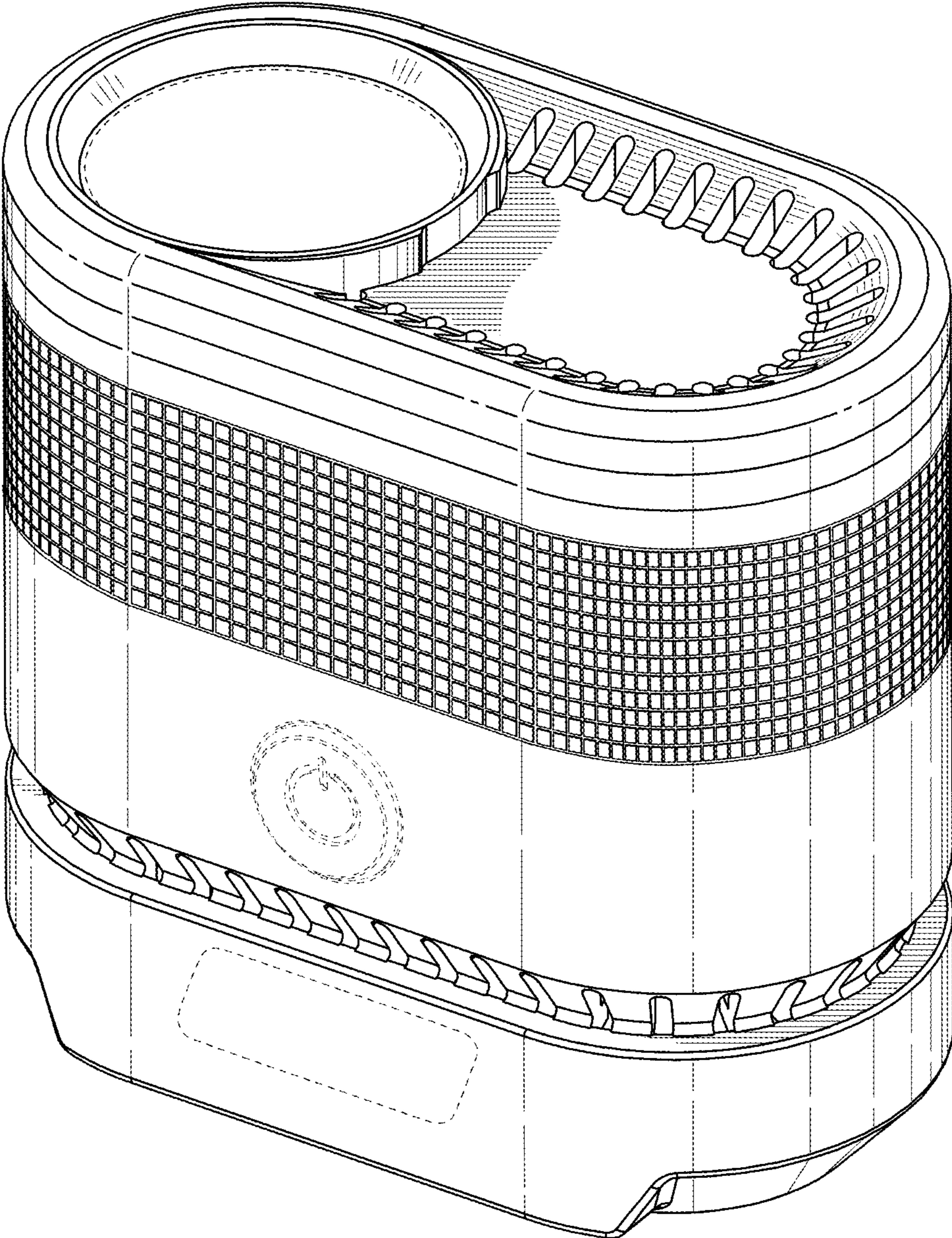


FIG. 2

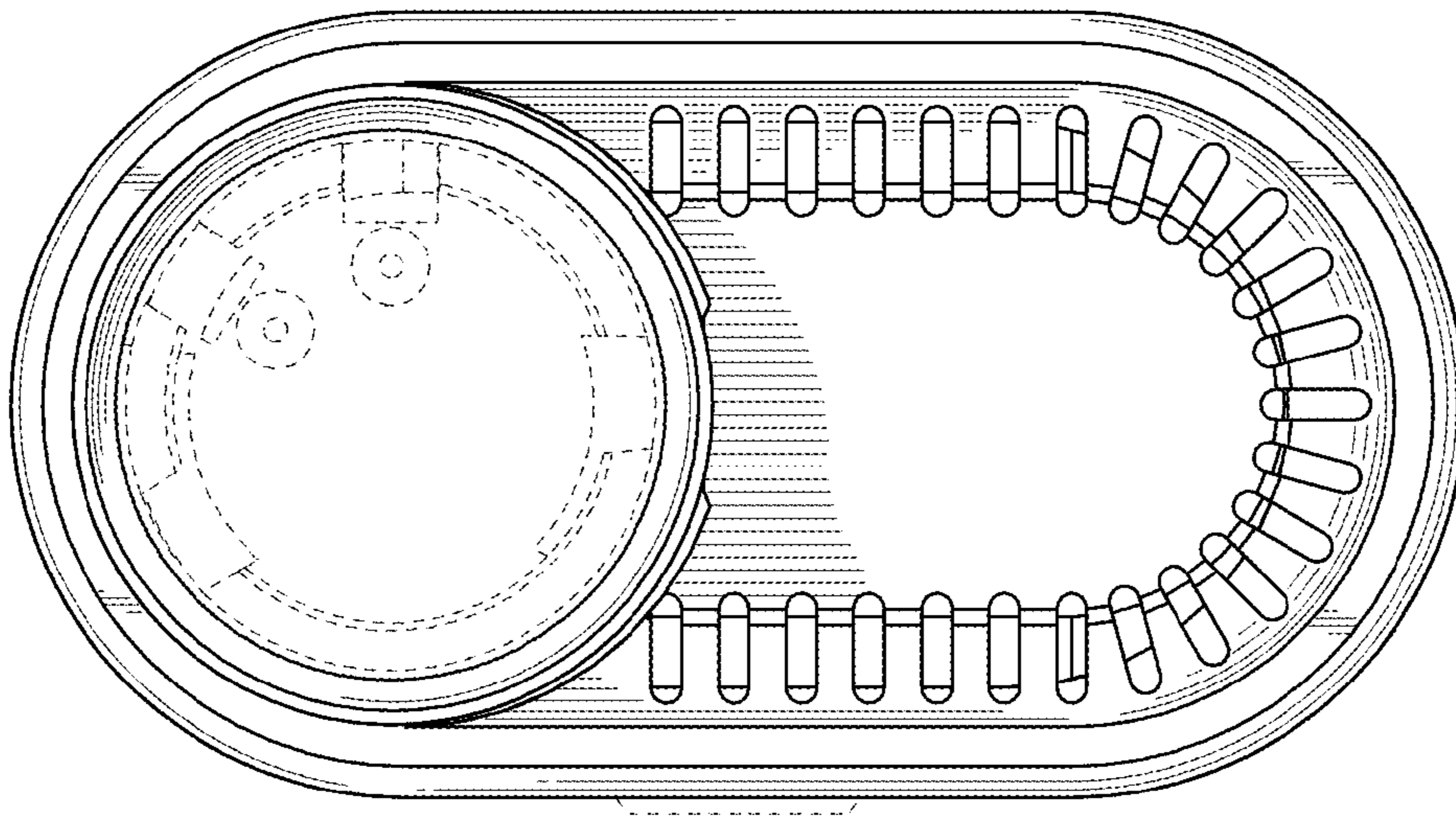


FIG. 3

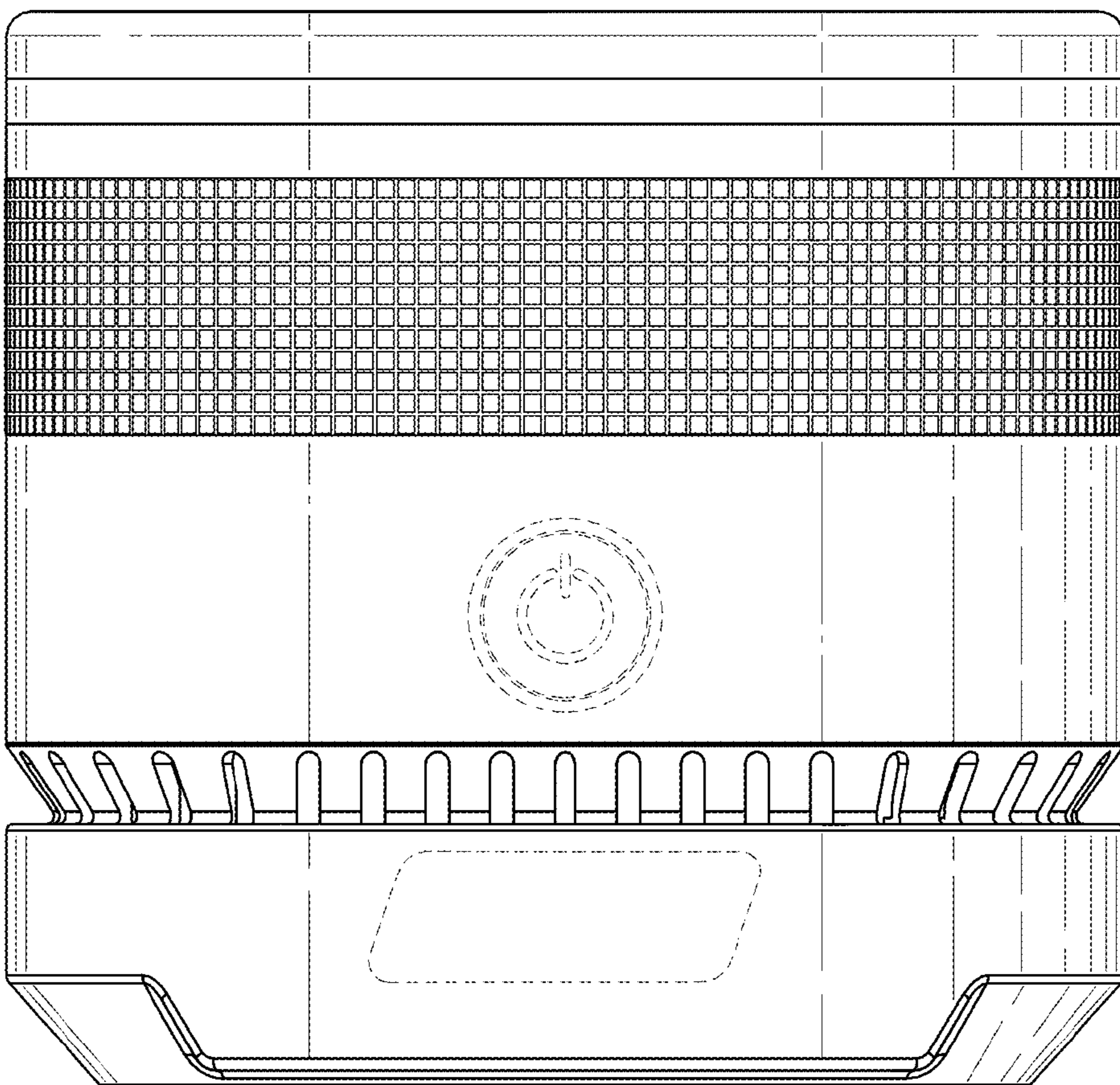


FIG. 4

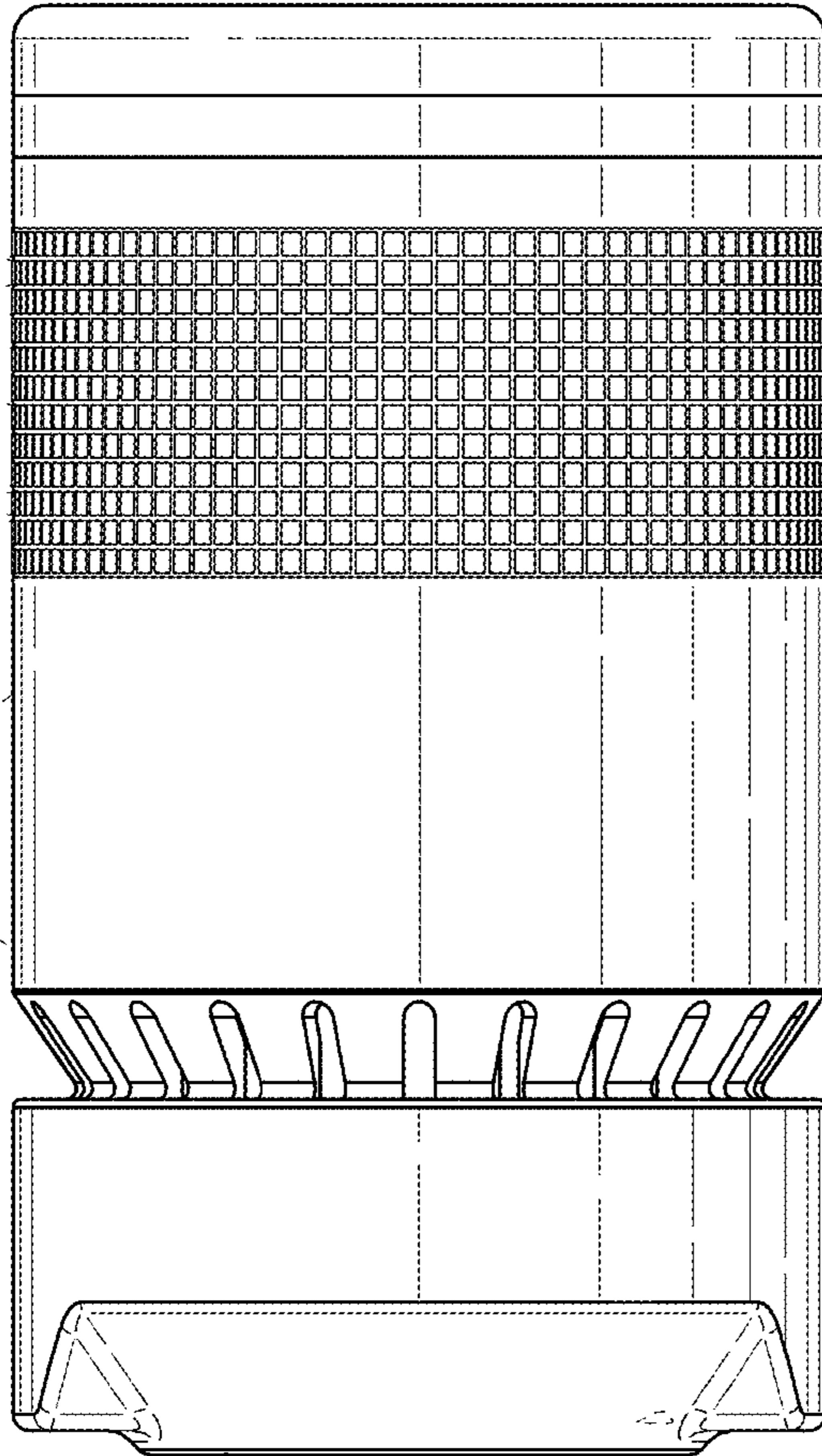


FIG. 5

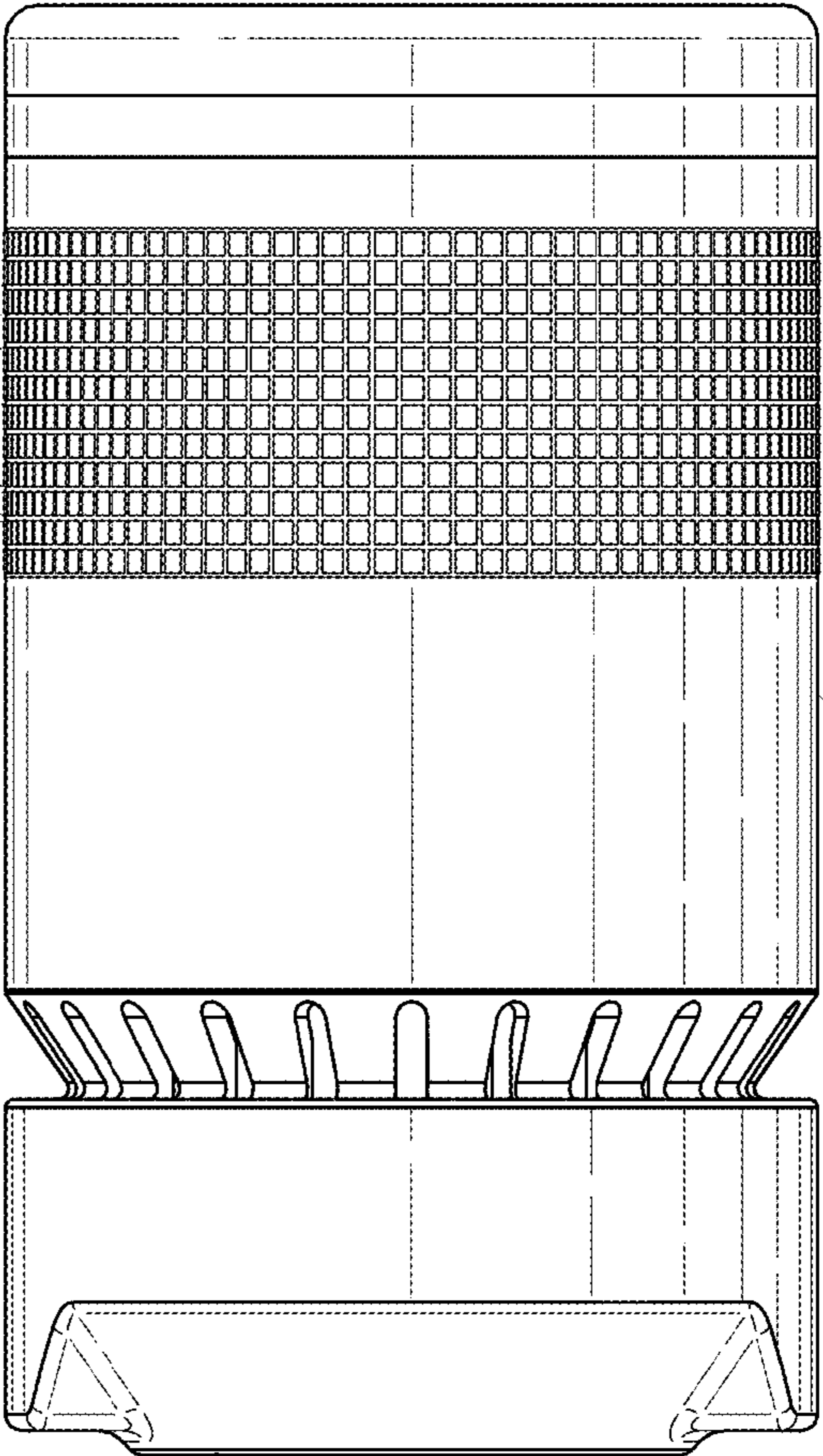


FIG. 6

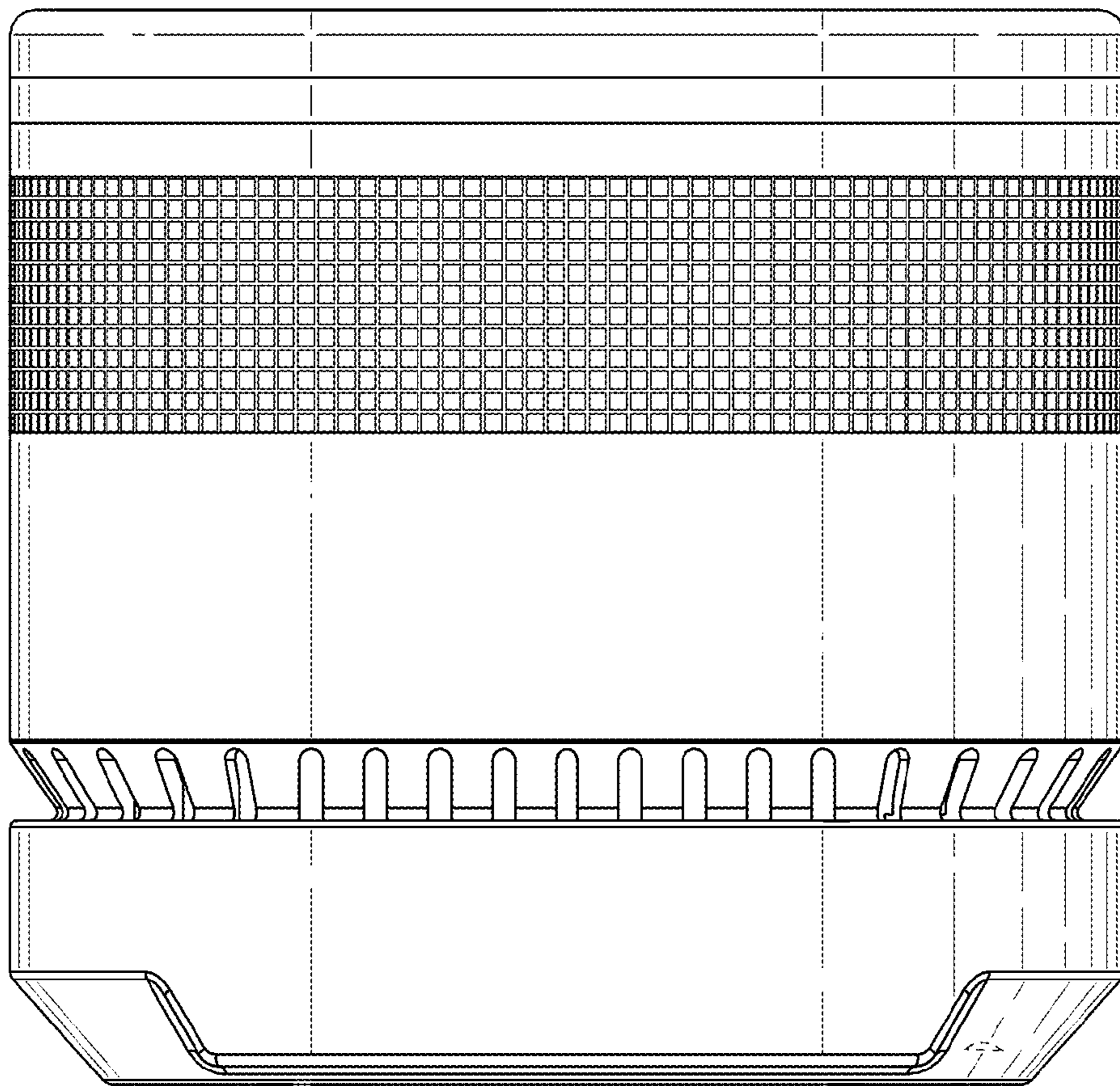


FIG. 7

