



US00D933177S

(12) **United States Design Patent** (10) **Patent No.:** **US D933,177 S**
Bucher (45) **Date of Patent:** **** Oct. 12, 2021**

- (54) **SHOWER BASE**
- (71) Applicant: **AS America, Inc.**, Piscataway, NJ (US)
- (72) Inventor: **Christophe Bucher**, Hillsborough, NJ (US)
- (73) Assignee: **AS America, Inc.**, Piscataway, NJ (US)
- (**) Term: **15 Years**
- (21) Appl. No.: **29/703,799**
- (22) Filed: **Aug. 29, 2019**

D611,129 S 3/2010 Hisey
 D612,027 S 3/2010 Hisey
 D612,180 S 3/2010 Mayer
 D613,839 S 4/2010 Hisey
 7,739,757 B2 6/2010 Witt
 (Continued)

FOREIGN PATENT DOCUMENTS

CA 44025 * 8/1978
 CA 2514275 A1 * 2/2006 A47K 3/40
 (Continued)

OTHER PUBLICATIONS

Amazon, MX Group square low profile shower tray, posted Oct. 28, 2013, [online], [visited May 6, 2021]. Internet, <URL: <https://www.amazon.co.uk/MX-Group-Square-Elements-Profile/dp/B00G95FYLA/ref?th=1>> (Year: 2013).*

(Continued)

Primary Examiner — Sheryl Lane
Assistant Examiner — Samantha N Wood
 (74) *Attorney, Agent, or Firm* — Morrison & Foerster LLP

Related U.S. Application Data

- (63) Continuation of application No. 29/630,386, filed on Dec. 20, 2017, now Pat. No. Des. 860,413.
- (51) **LOC (13) Cl.** **23-02**
- (52) **U.S. Cl.**
USPC **D23/304**
- (58) **Field of Classification Search**
USPC D23/303, 304, 305, 275, 277, 283;
D32/55, 56
CPC . A47K 3/00; A47K 3/02; A47K 3/004; A47K 3/40; A47K 3/405; A47K 3/022; A47K 3/28; A47K 3/281
See application file for complete search history.

(57) **CLAIM**

I claim the ornamental design for a shower base, as shown and described.

(56) **References Cited**

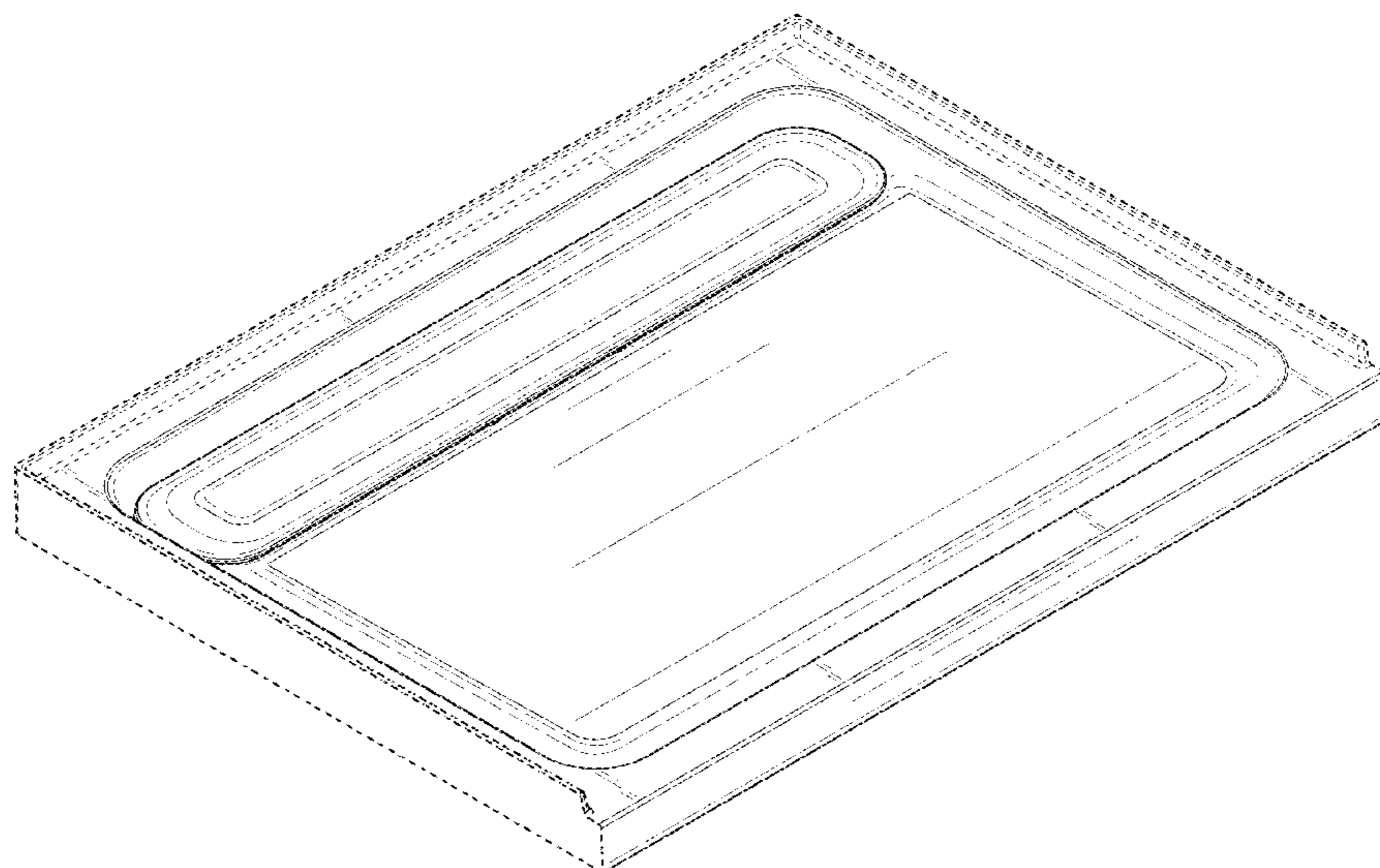
U.S. PATENT DOCUMENTS

D351,019 S 9/1994 Moore et al.
 D480,455 S 10/2003 Painter et al.
 D486,208 S 2/2004 Piatt et al.
 D532,877 S 11/2006 Hisey
 D539,394 S * 3/2007 Luxton A47K 3/40
 D23/283
 D540,926 S 4/2007 Flores
 D541,913 S 5/2007 Piatt
 D596,721 S 7/2009 Hisey
 D596,722 S 7/2009 Hisey
 D609,316 S 2/2010 Hisey

DESCRIPTION

FIG. 1 is a front perspective view of a shower base showing my new design;
 FIG. 2 is a front view thereof;
 FIG. 3 is a rear view thereof;
 FIG. 4 is a side view thereof;
 FIG. 5 is a side view of the opposite side of FIG. 4; and,
 FIG. 6 is a top view thereof.
 The broken lines shown in the drawings illustrate portions of a shower base that form no part of the claimed design.

1 Claim, 4 Drawing Sheets



(56)

References Cited

U.S. PATENT DOCUMENTS

8,474,068 B2 7/2013 Kik, Sr. et al.
 D693,911 S * 11/2013 Adams D23/304
 D731,630 S 6/2015 DeSocio
 D750,764 S 3/2016 DeSocio
 9,462,916 B2 10/2016 Adams
 D776,246 S 1/2017 Licini
 D785,148 S 4/2017 Licini
 9,611,634 B2 4/2017 Erlebach
 D792,954 S 7/2017 Sander et al.
 D827,793 S * 9/2018 Derrickson D23/304
 D858,724 S 9/2019 Bucher et al.
 D859,613 S 9/2019 Bucher et al.
 D859,614 S 9/2019 Bucher et al.
 D860,412 S 9/2019 Bucher et al.
 D860,413 S 9/2019 Bucher et al.
 D860,414 S 9/2019 Bucher et al.
 D860,415 S 9/2019 Bucher et al.
 D868,222 S 11/2019 Bucher et al.
 D868,223 S 11/2019 Bucher et al.
 2004/0034922 A1 * 2/2004 Grayson A47K 3/40
 4/613
 2006/0191067 A1 8/2006 Sadler
 2008/0148474 A1 6/2008 Witt
 2013/0276226 A1 10/2013 Cook et al.
 2016/0166121 A1 6/2016 Limbric et al.
 2017/0164791 A1 6/2017 Provence
 2017/0196413 A1 7/2017 Sander et al.

FOREIGN PATENT DOCUMENTS

CA 2514275 A1 2/2006
 CN 201230272033 * 6/2012
 DE 10131338 A1 9/2002
 DE 102007010598 A1 9/2008
 DE 102010015856 A1 * 9/2011 A47K 3/405
 EM 000293675-0001 4/2005
 EP 1857029 A2 11/2007

GB 4011893 * 7/2009
 JP 2000-265513 A 9/2000
 RU 74583 4/2010

OTHER PUBLICATIONS

Amazon, FIAT shower floor, posted Jun. 3, 2013, [online], [visited May 6, 2021]. Internet, <URL: <https://www.amazon.com/Shower-Floor-Single-Threshold-36x32/dp/B00COTZ0FK/ref>> (Year: 2013).
 Bucher et al., U.S. Office Action dated Dec. 12, 2018, directed to U.S. Appl. No. 29/637,917; 8 pages.
 Bucher et al., U.S. Office Action dated Dec. 12, 2018, directed to U.S. Appl. No. 29/637,921; 7 pages.
 Bucher et al., U.S. Office Action dated Dec. 12, 2018, directed to U.S. Appl. No. 29/637,922; 6 pages.
 Bucher, U.S. Office Action dated Apr. 2, 2019, directed to U.S. Appl. No. 29/630,385; 5 pages.
 Bucher, U.S. Office Action dated Apr. 2, 2019, directed to U.S. Appl. No. 29/630,389; 5 pages.
 Bucher, U.S. Office Action dated Dec. 12, 2018, directed to U.S. Appl. No. 29/630,377; 6 pages.
 Bucher, U.S. Office Action dated Dec. 12, 2018, directed to U.S. Appl. No. 29/630,379; 7 pages.
 Bucher, U.S. Office Action dated Dec. 12, 2018, directed to U.S. Appl. No. 29/630,385; 7 pages.
 Bucher, U.S. Office Action dated Dec. 12, 2018, directed to U.S. Appl. No. 29/630,386; 6 pages.
 Bucher, U.S. Office Action dated Dec. 12, 2018, directed to U.S. Appl. No. 29/630,388; 9 pages.
 Bucher, U.S. Office Action dated Dec. 12, 2018, directed to U.S. Appl. No. 29/630,389; 7 pages.
 Examination Report dated May 7, 2019, directed to CA Application No. 183084; 3 pages.
 First Notification to Make Rectification dated Nov. 14, 2018, directed to CN Application No. 201830463529.6; 2 pages.
 Mincey Marble Manufacturing. (2006) "Installation Instructions for Mincey Marble Manufacturing's Standard Cast Marble Trench Drain Shower Pan—Residence Inn by Marriott"; 3 pages.

* cited by examiner

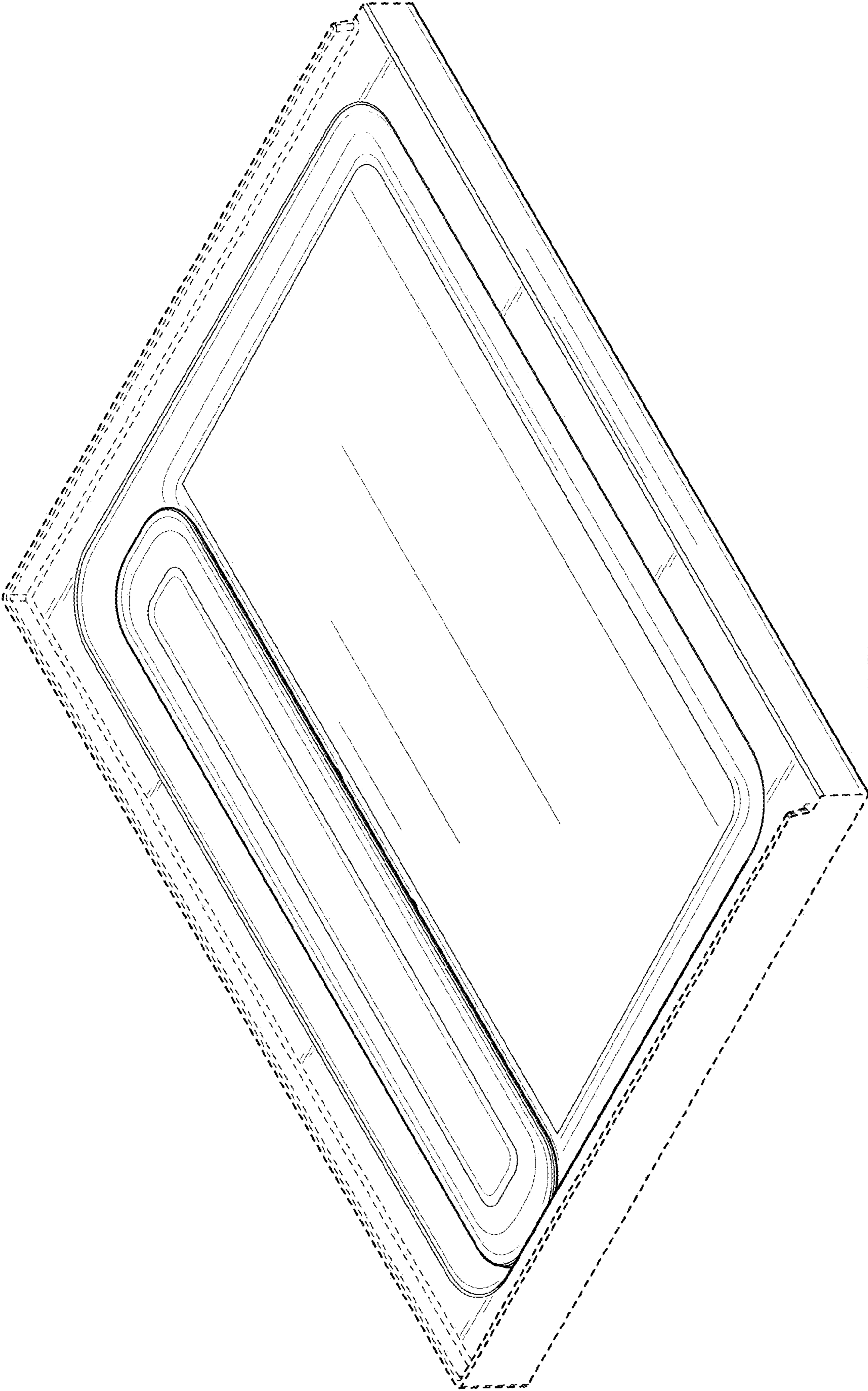


FIG. 1

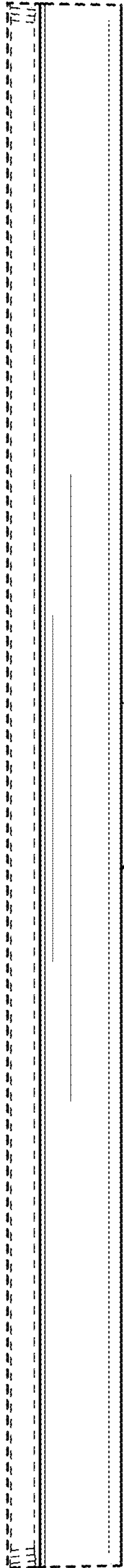


FIG. 2

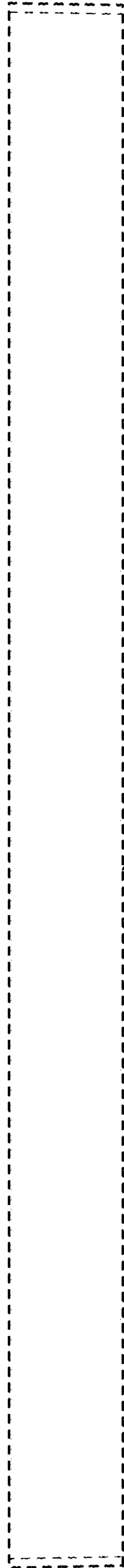


FIG. 3



FIG. 4



FIG. 5

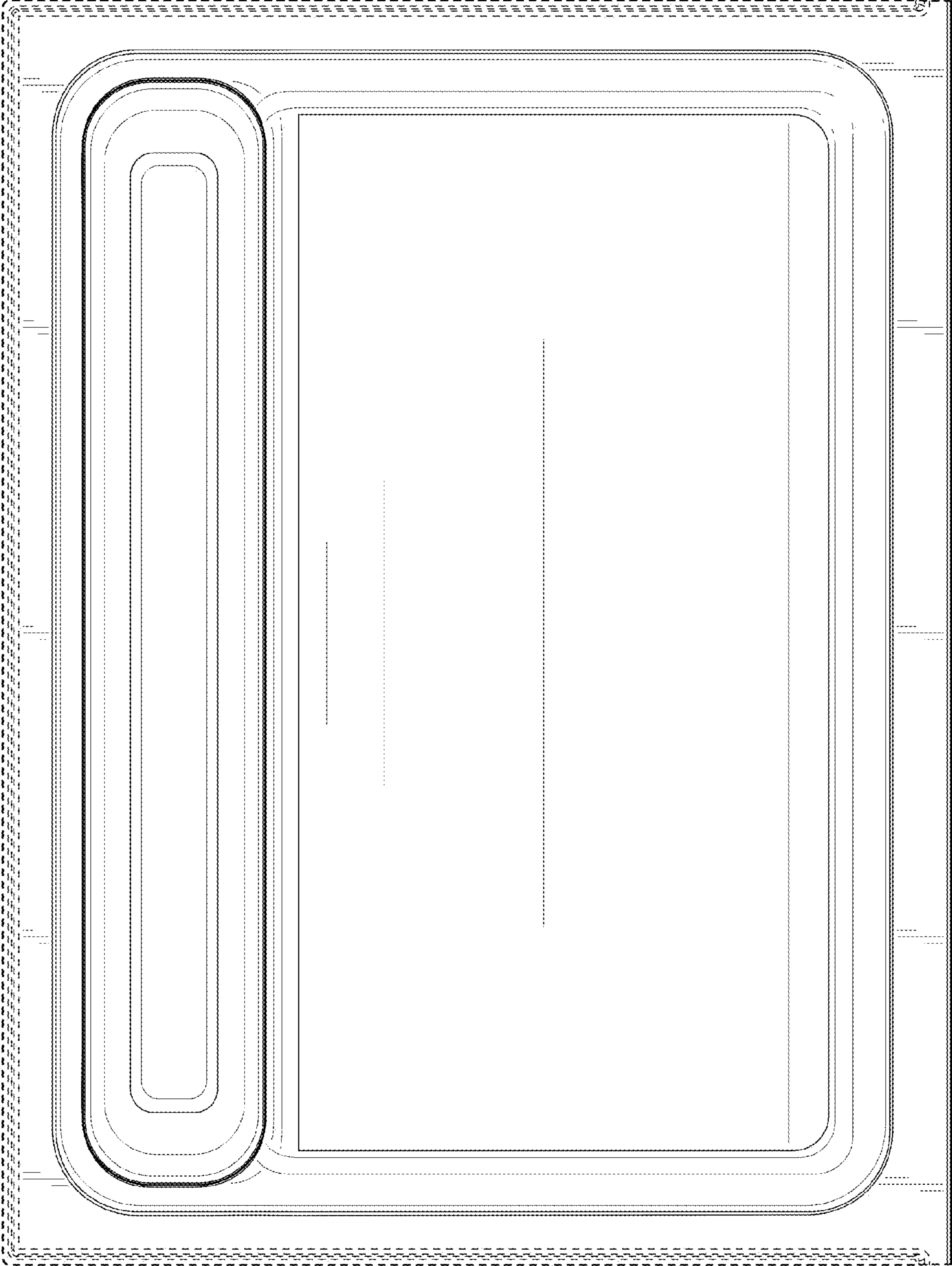


FIG. 6