



US00D933176S

(12) **United States Design Patent**
Cao

(10) **Patent No.:** **US D933,176 S**

(45) **Date of Patent:** **** Oct. 12, 2021**

(54) **VACUUM TOILET BOWL**

(71) Applicant: **Shanghai VacDrain Vacuum Drainage Equipment Co., Ltd., Shanghai (CN)**

(72) Inventor: **Yong Cao, Shanghai (CN)**

(73) Assignee: **Shanghai VacDrain Vacuum Drainage Equipment Co., Ltd., Shanghai (CN)**

(**) Term: **15 Years**

(21) Appl. No.: **29/705,911**

(22) Filed: **Sep. 17, 2019**

(51) **LOC (13) Cl.** **23-02**

(52) **U.S. Cl.**
USPC **D23/300**

(58) **Field of Classification Search**
USPC D23/295, 300-301, 309, 313
See application file for complete search history.

(56) **References Cited**

U.S. PATENT DOCUMENTS

D273,701 S * 5/1984 Bengtson D23/300
D355,711 S * 2/1995 Nagato D23/300
D556,872 S * 12/2007 Crowther D23/300

D596,276 S * 7/2009 Espinoza D23/300
D609,791 S * 2/2010 Cummings D23/300
9,732,507 B2 * 8/2017 Bucher E03D 11/14
D796,652 S * 9/2017 Vish D23/300

* cited by examiner

Primary Examiner — Robert A Delehanty

(57) **CLAIM**

The ornamental design for a vacuum toilet bowl, as shown and described.

DESCRIPTION

FIG. 1 is a front view of a vacuum toilet bowl, showing our new design;

FIG. 2 is a rear view thereof;

FIG. 3 is a left side view thereof;

FIG. 4 is a right side view thereof;

FIG. 5 is a top view thereof;

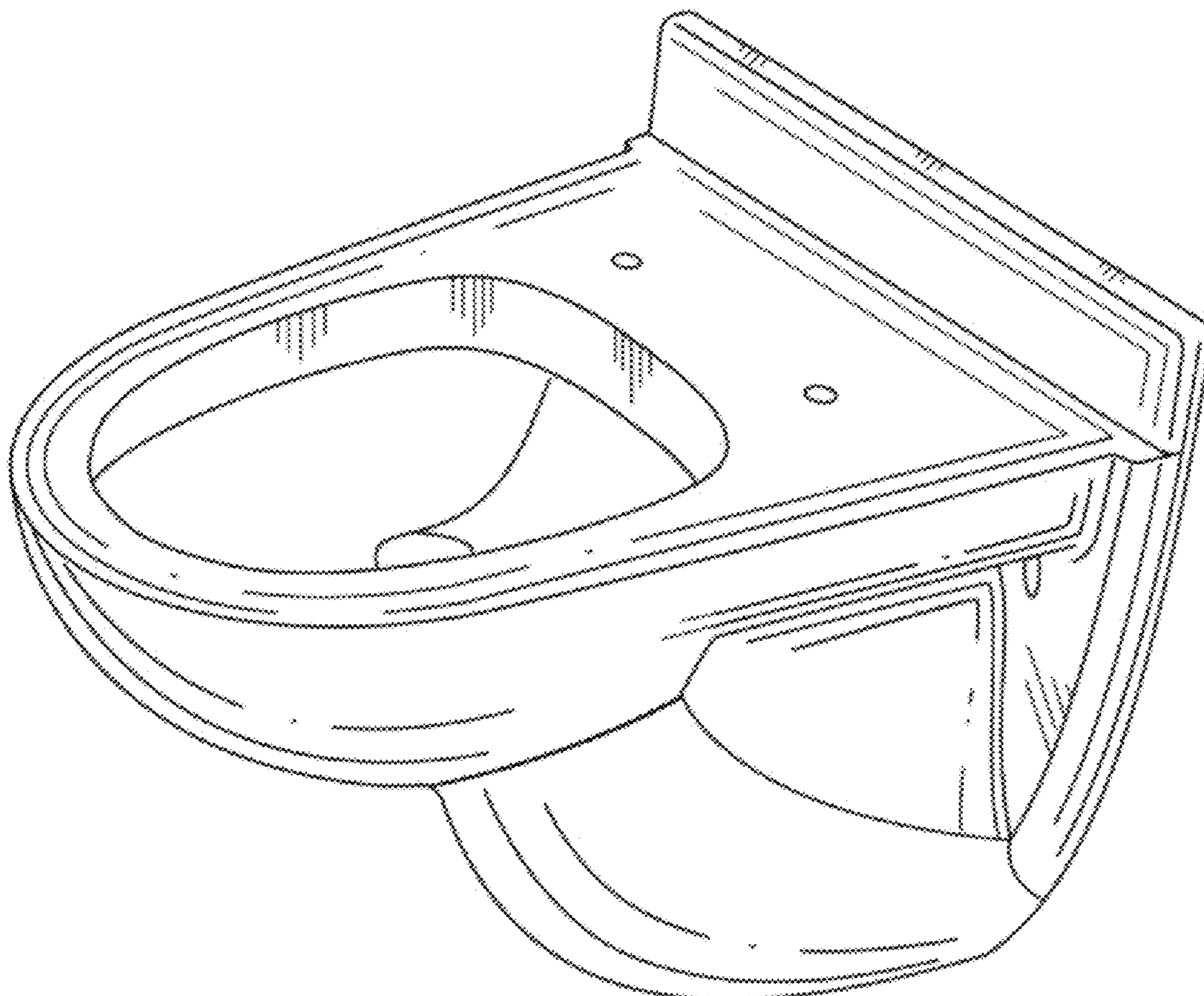
FIG. 6 is a bottom view thereof; and,

FIG. 7 is a perspective view thereof.

Any shading and cross-hatching are not features of the design but are utilized to illustrate the surface contours of the sound amplifier in the drawings.

The broken lines are for the purpose of illustrating only and forms no part of the claimed design.

1 Claim, 7 Drawing Sheets



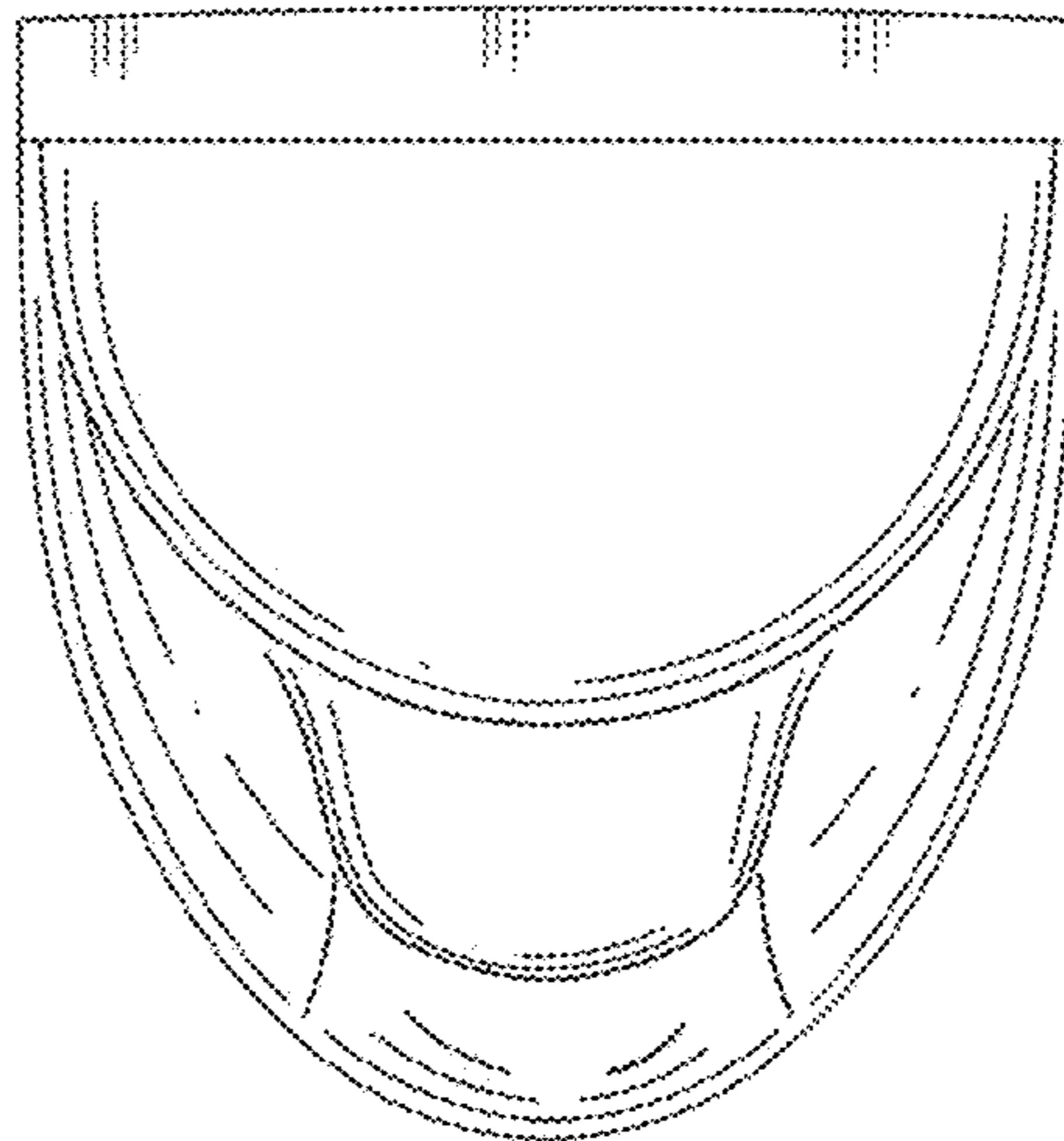


FIG. 1

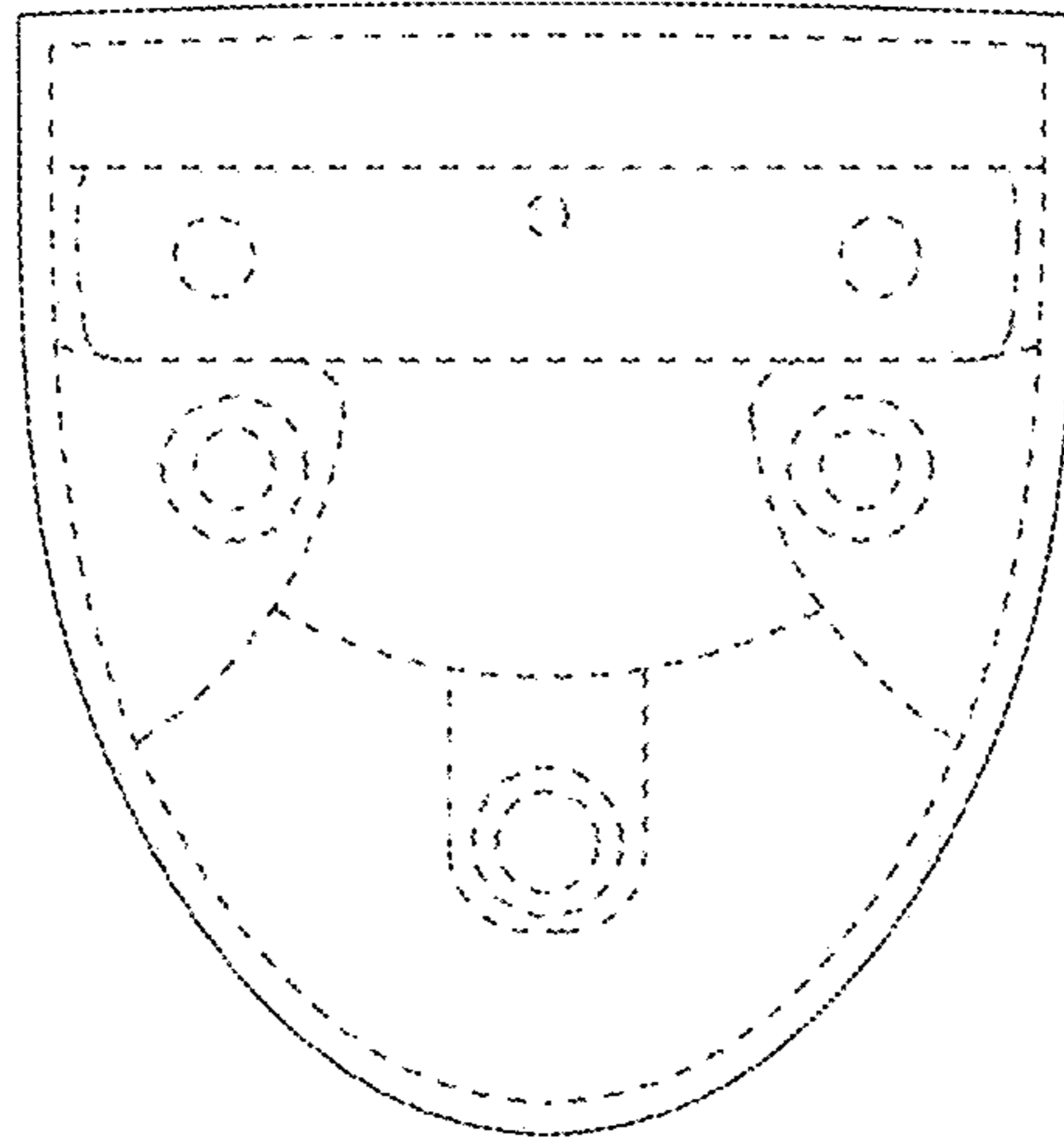


FIG. 2

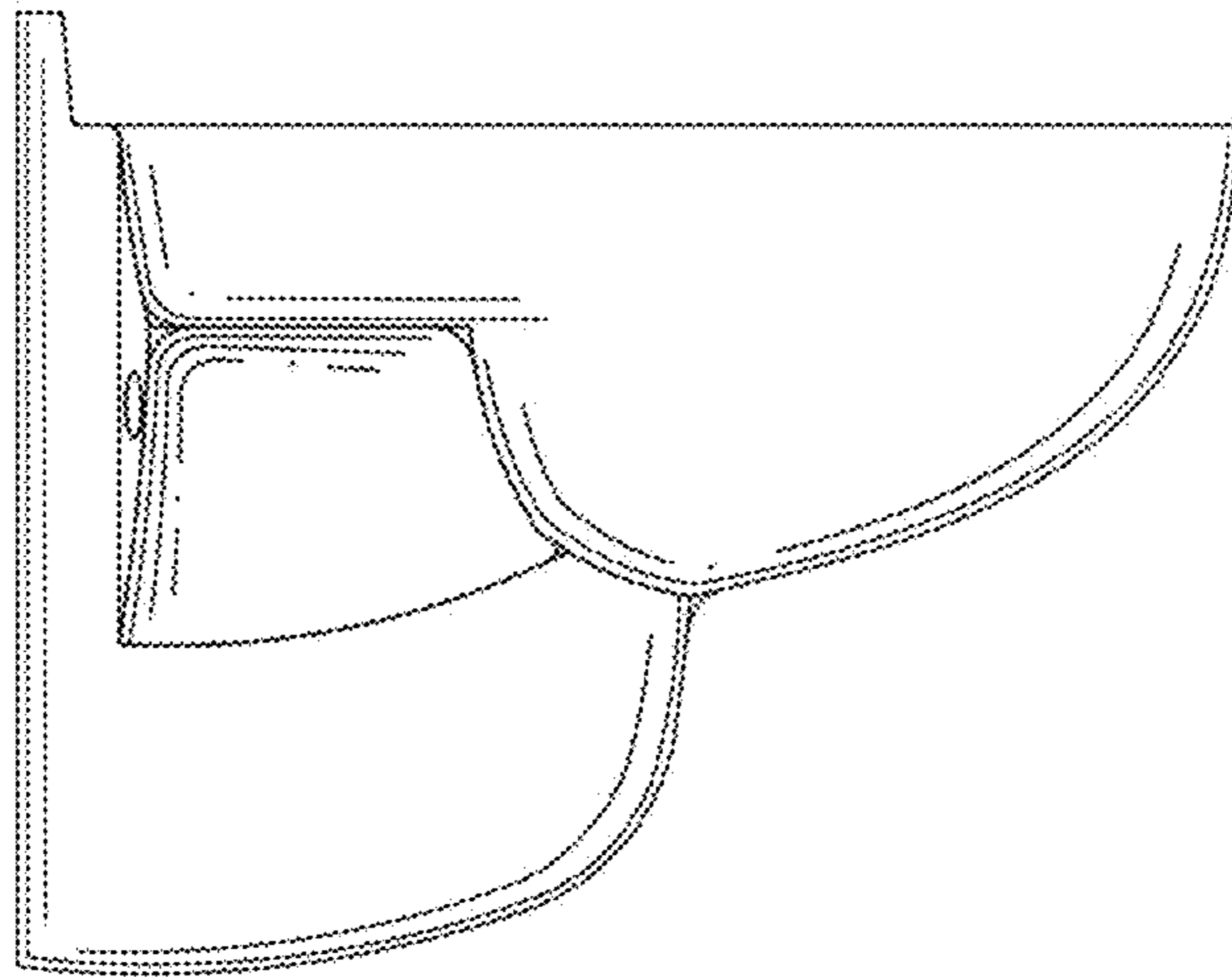


FIG. 3

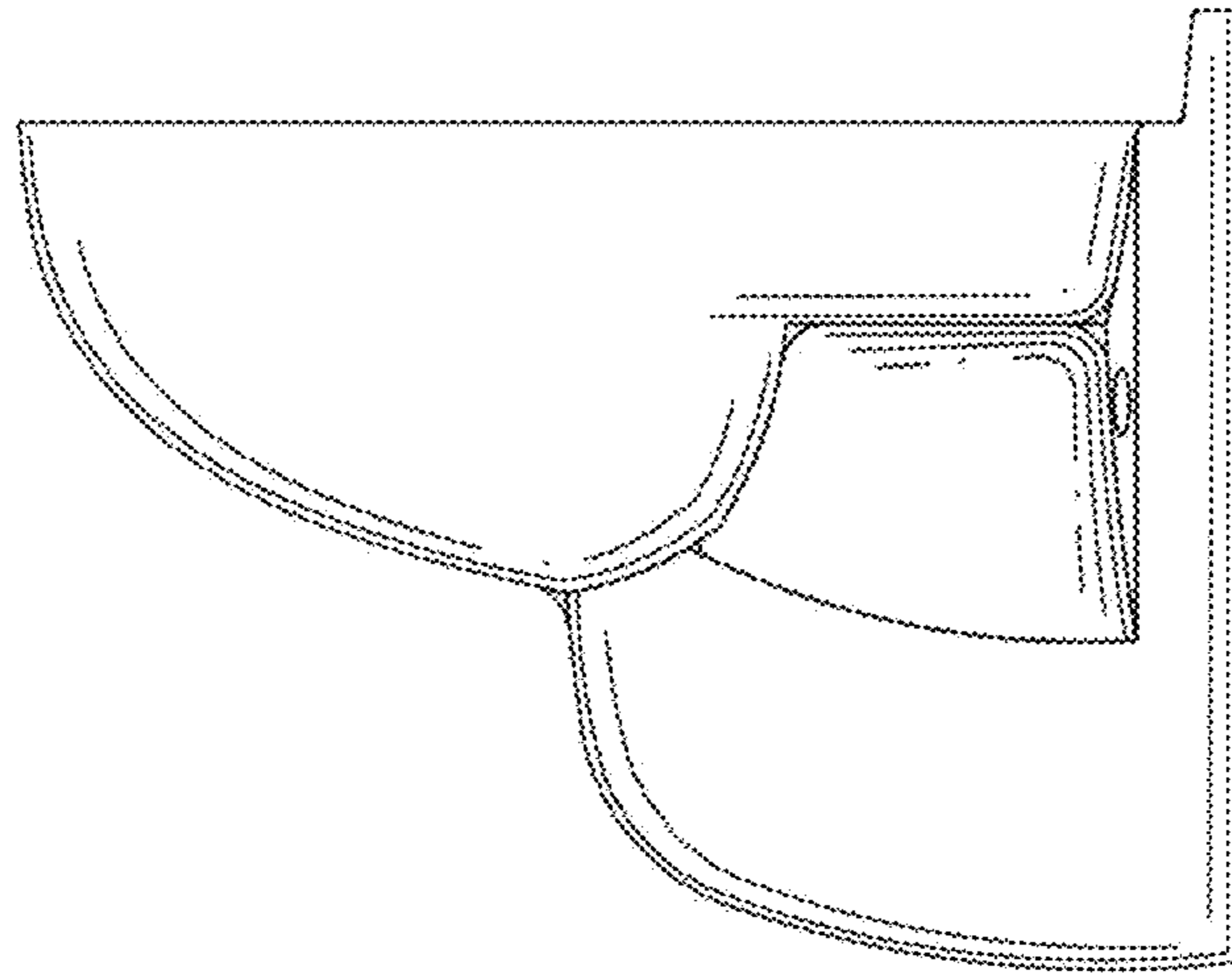


FIG. 4

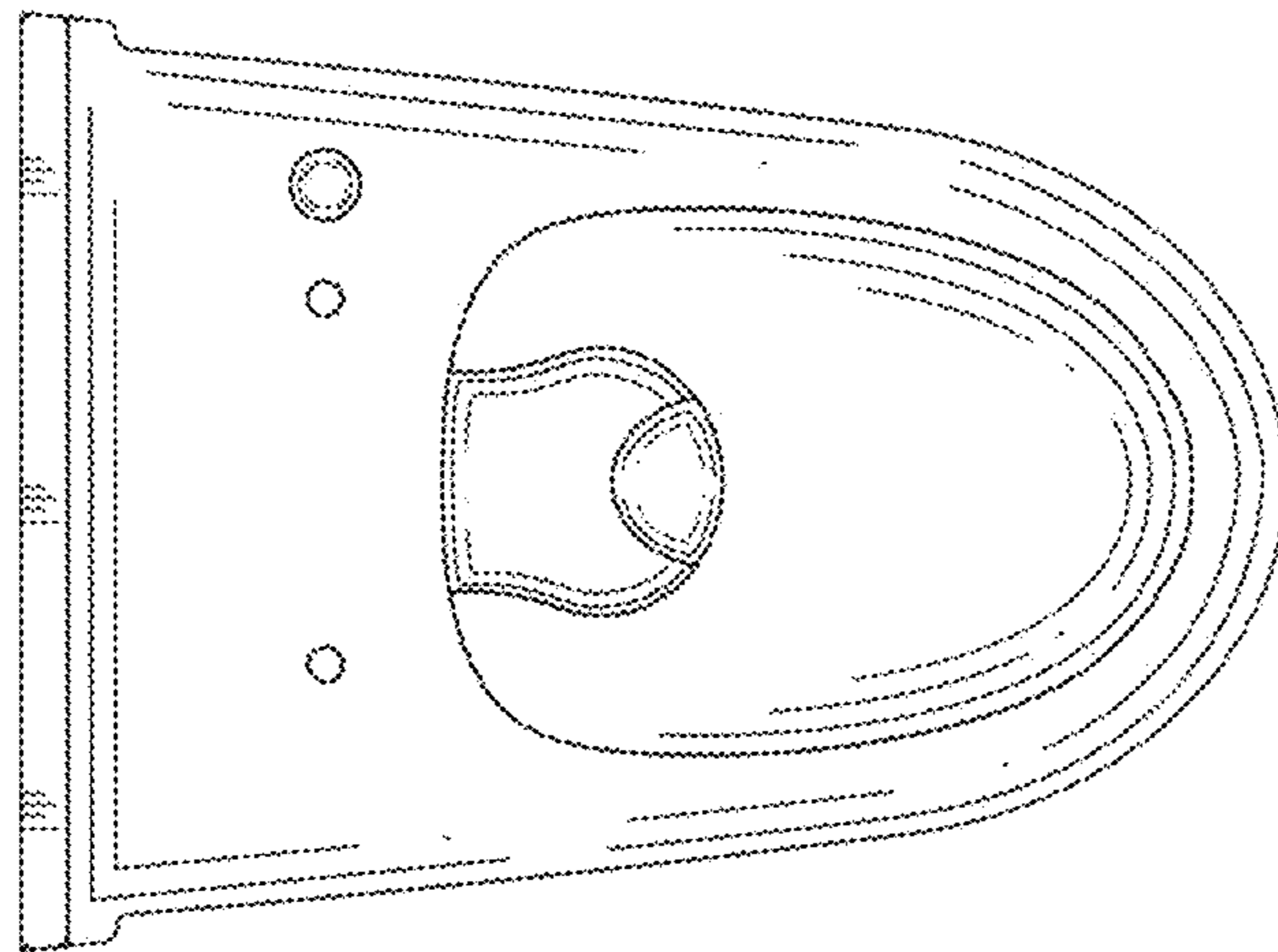


FIG. 5

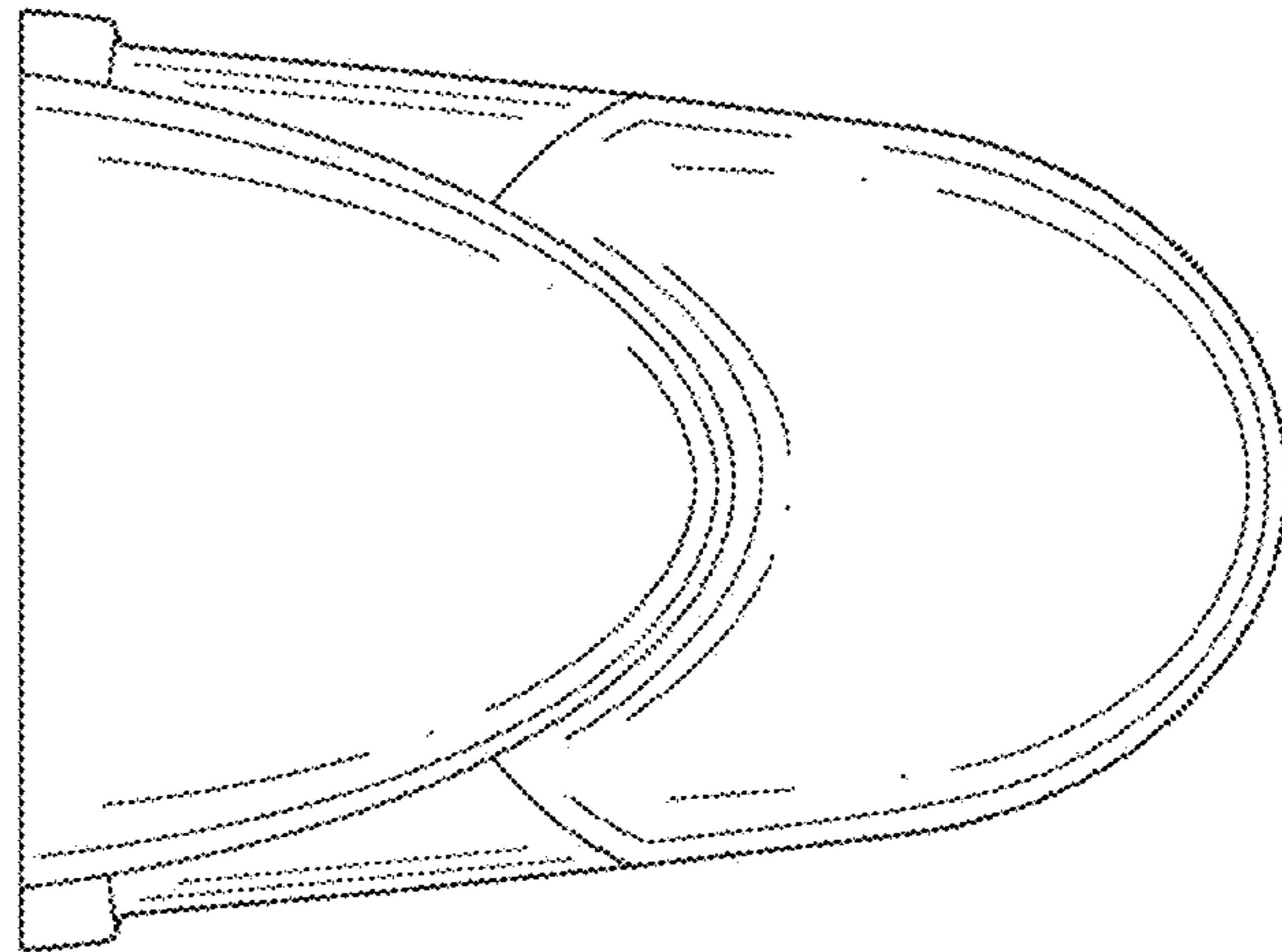


FIG. 6

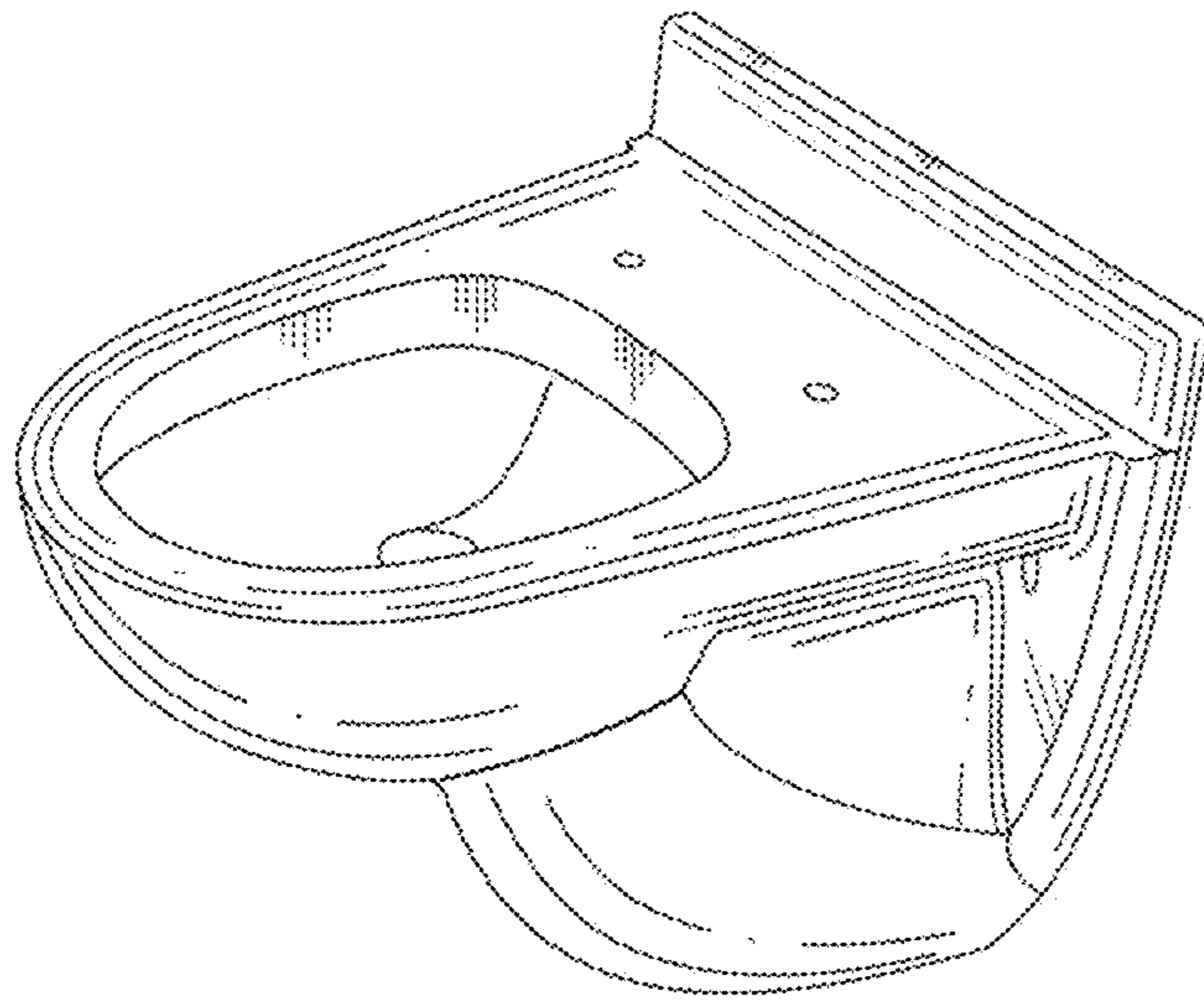


FIG. 7