



US00D933175S

(12) **United States Design Patent**
Han

(10) **Patent No.:** **US D933,175 S**

(45) **Date of Patent:** **** Oct. 12, 2021**

(54) **SINK**

(71) Applicant: **Kyung Hee Han, Yonginsi Sujigu (KR)**

(72) Inventor: **Kyung Hee Han, Yonginsi Sujigu (KR)**

(**) Term: **15 Years**

(21) Appl. No.: **29/706,469**

(22) Filed: **Sep. 20, 2019**

(51) **LOC (13) Cl.** **23-02**

(52) **U.S. Cl.**
USPC **D23/286**

(58) **Field of Classification Search**
USPC D23/271, 284, 286, 293.1, 308;
D24/234; D6/663, 664, 668, 668.1, 668.2
See application file for complete search history.

(56) **References Cited**

U.S. PATENT DOCUMENTS

D188,418 S * 7/1960 Salveson D24/234
D499,469 S * 12/2004 Trepanier D23/286
D599,895 S * 9/2009 Heinz D23/286

D892,283 S * 8/2020 Ellington D23/284
D908,376 S * 1/2021 Han D6/340
2012/0233769 A1* 9/2012 Song A47K 1/02
4/625

* cited by examiner

Primary Examiner — Robert A Delehanty

(74) *Attorney, Agent, or Firm* — John K. Park; Park Law Firm

(57) **CLAIM**

The ornamental design for a sink, as shown and described.

DESCRIPTION

FIG. 1 is a perspective view of a sink showing my new design;

FIG. 2 is a left-side plan view thereof;

FIG. 3 is a right-side plan view thereof;

FIG. 4 is a front plan view thereof;

FIG. 5 is a rear plan view thereof;

FIG. 6 is a top plan view thereof; and,

FIG. 7 is a bottom plan view.

The broken lines showing environment is for illustrative purposes only and form no part of the claimed design.

1 Claim, 7 Drawing Sheets

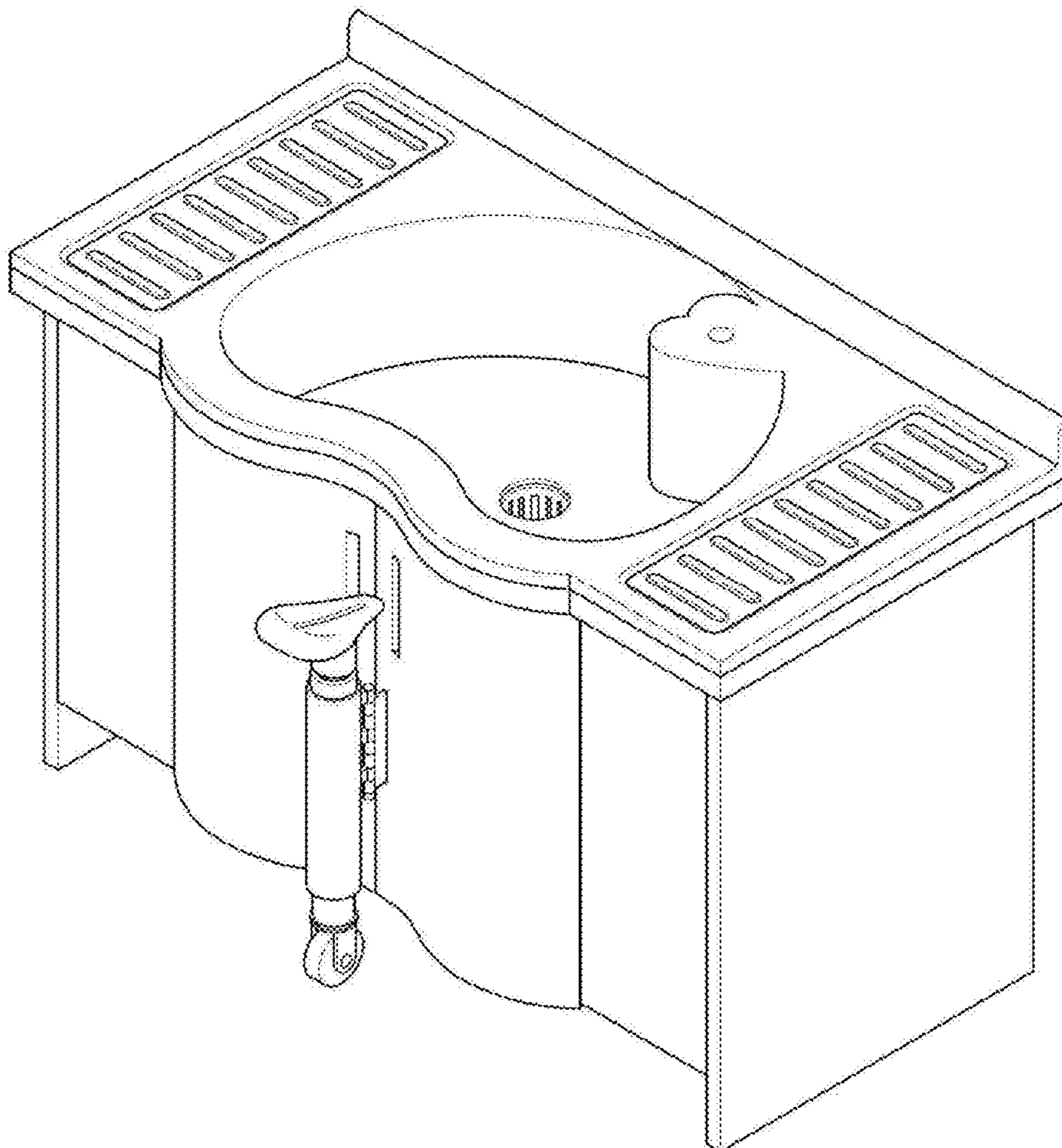


Fig. 1

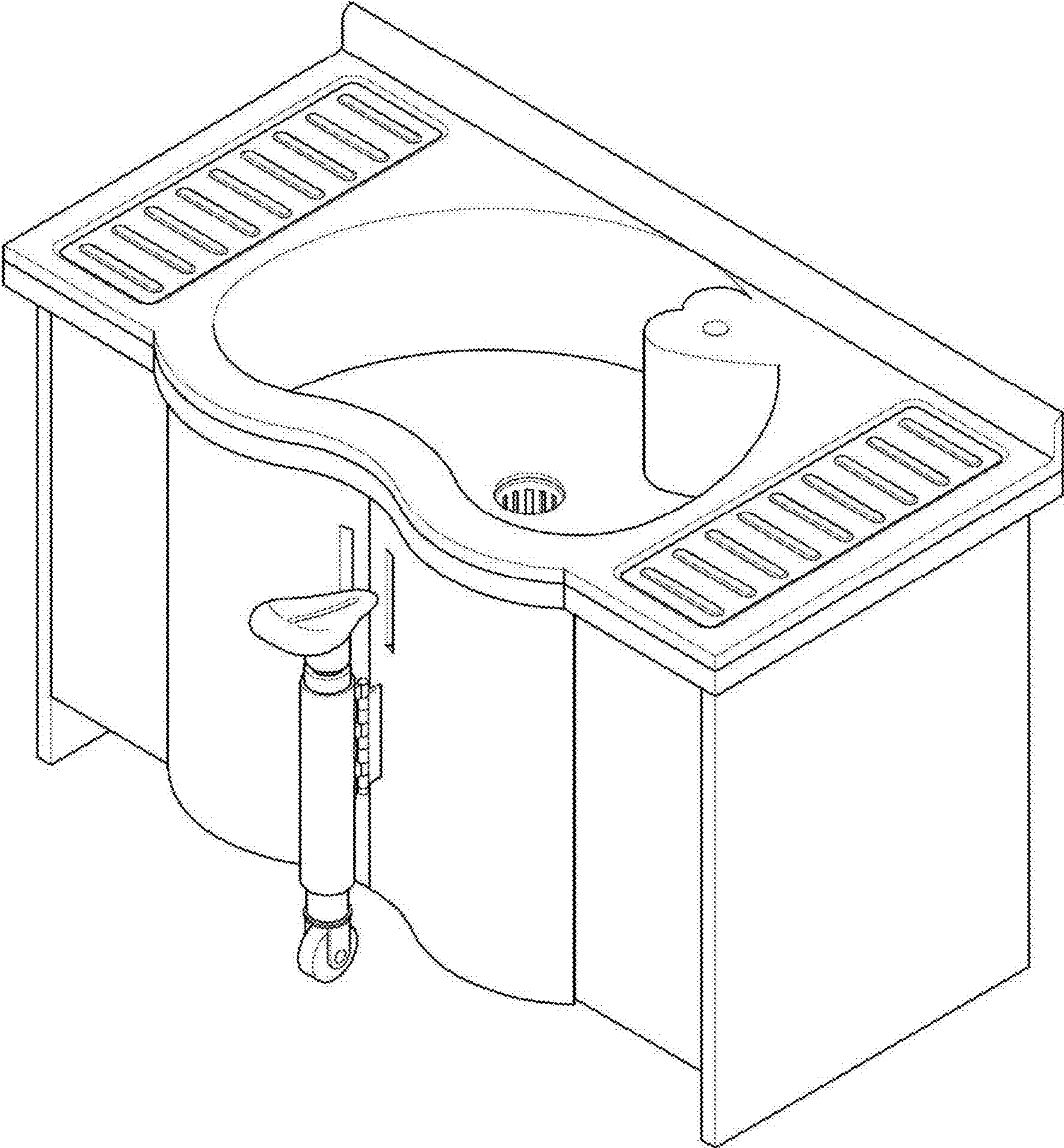


Fig. 2

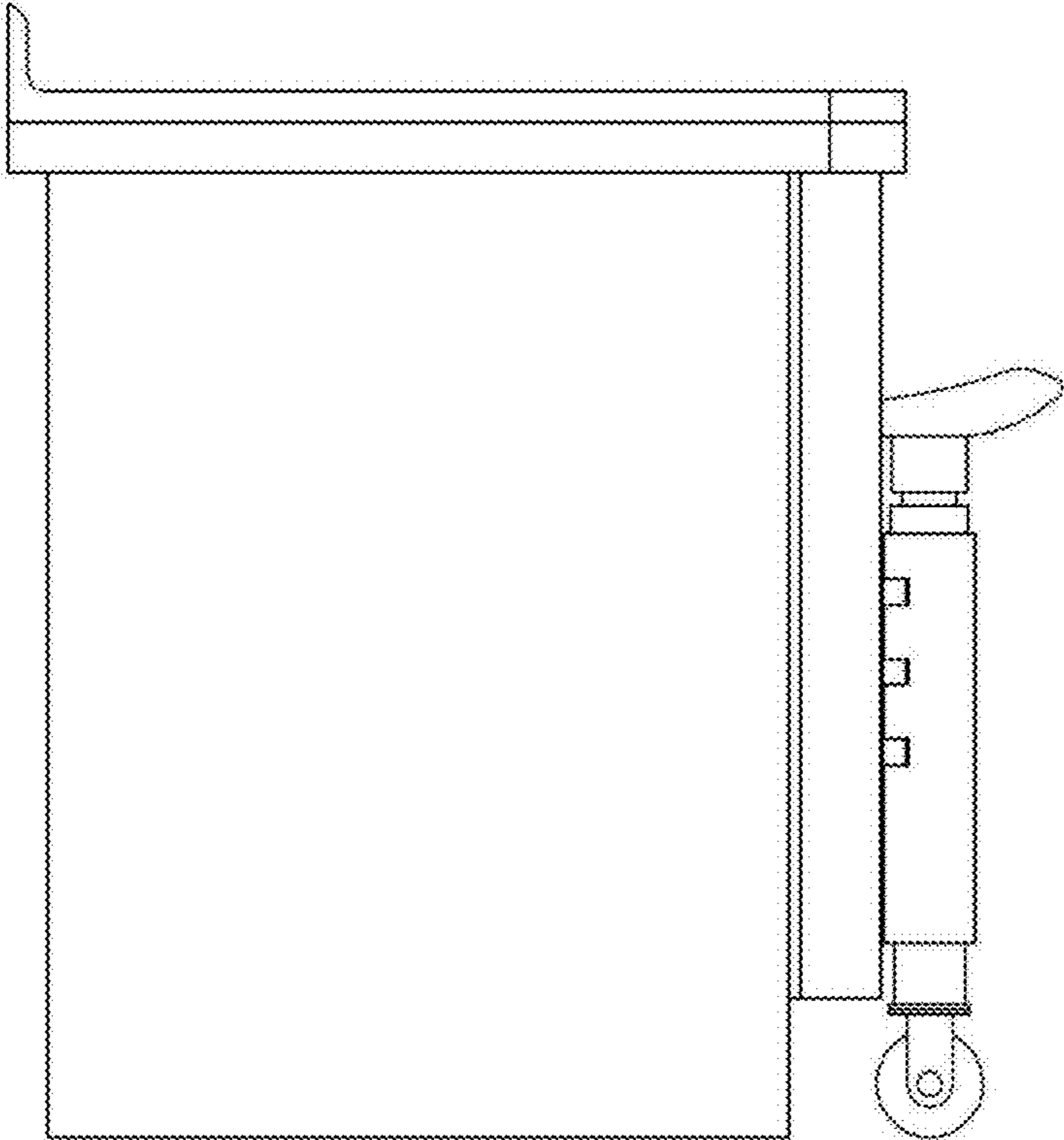


Fig. 3

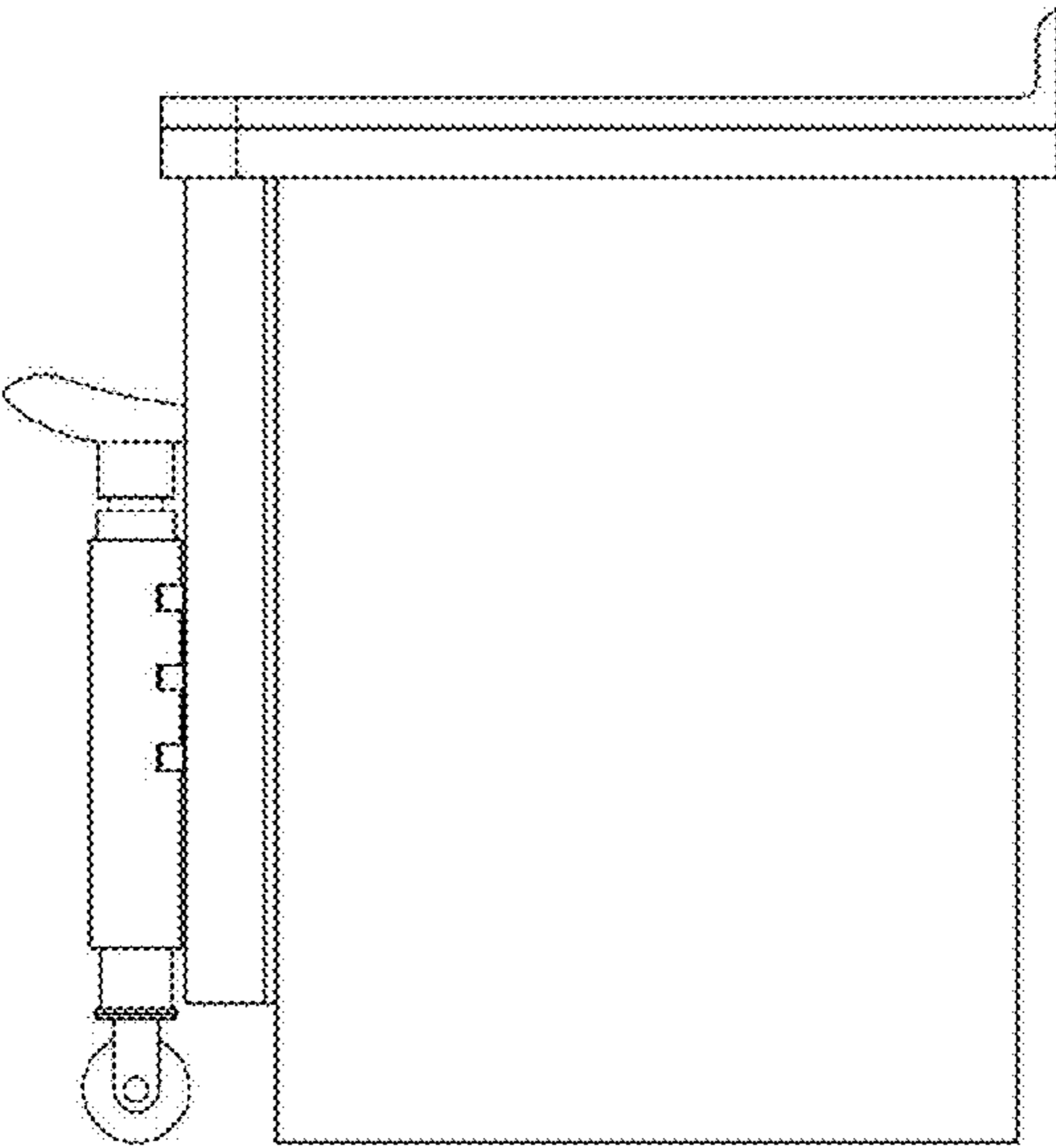


Fig. 4

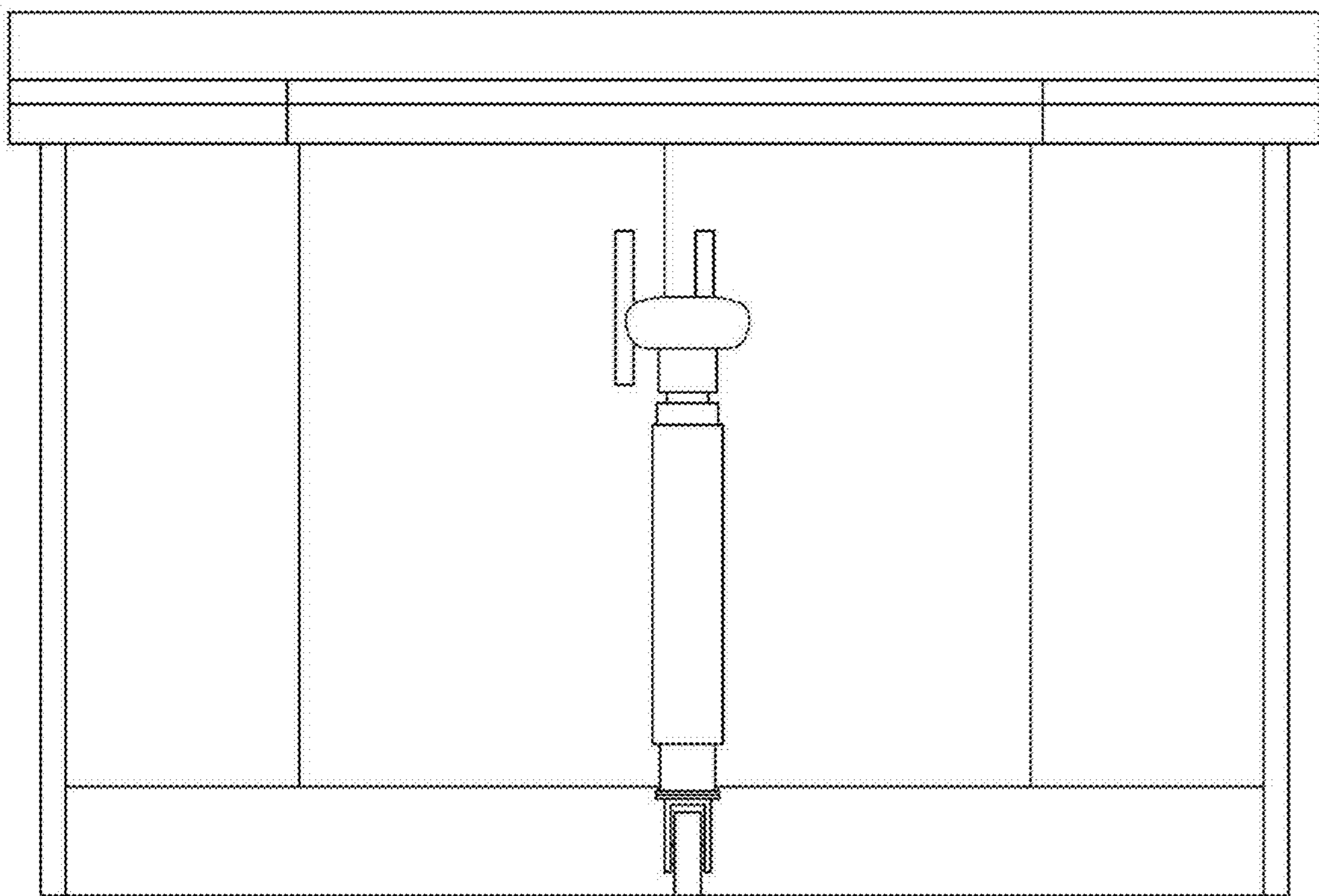


Fig. 5

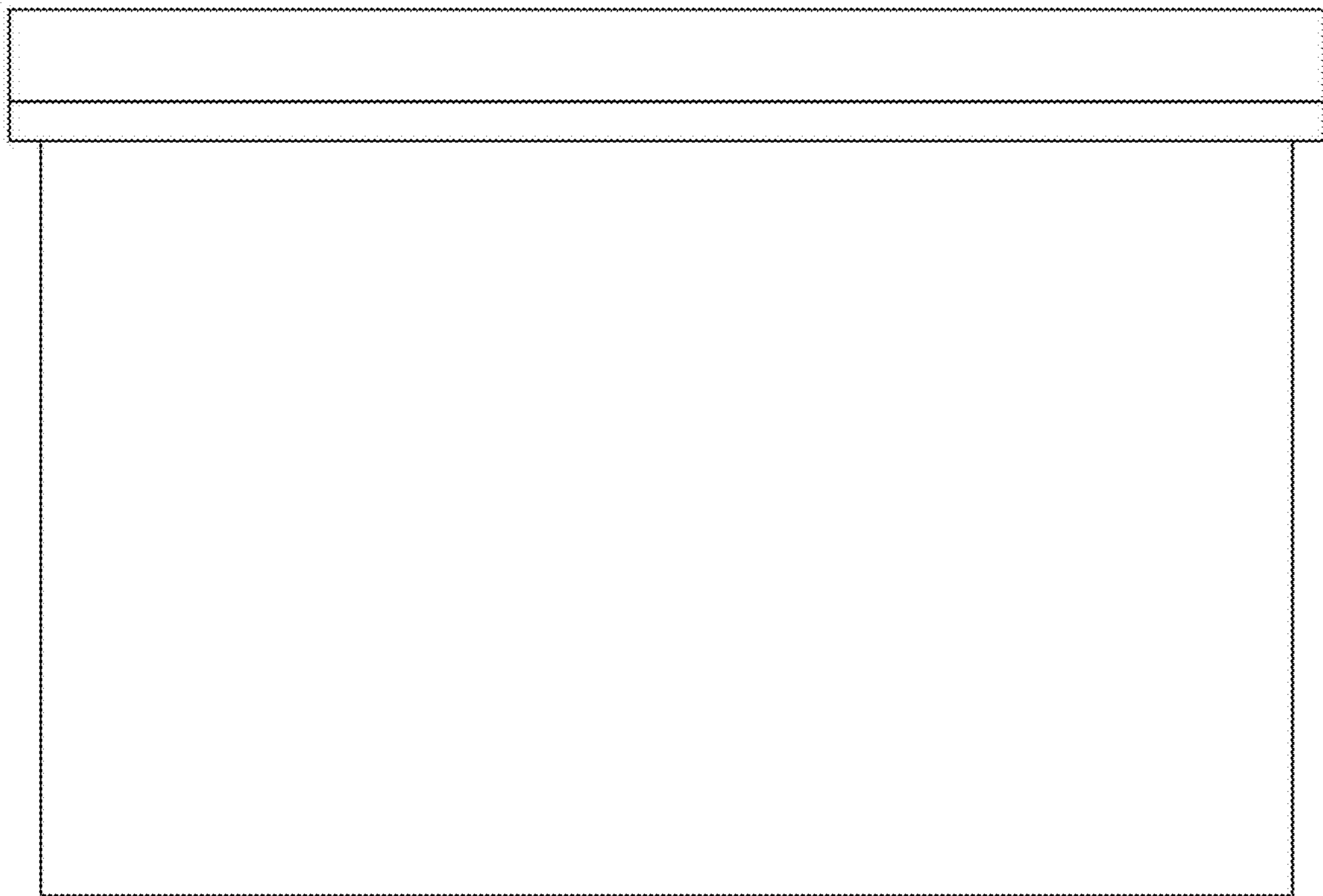


Fig. 6

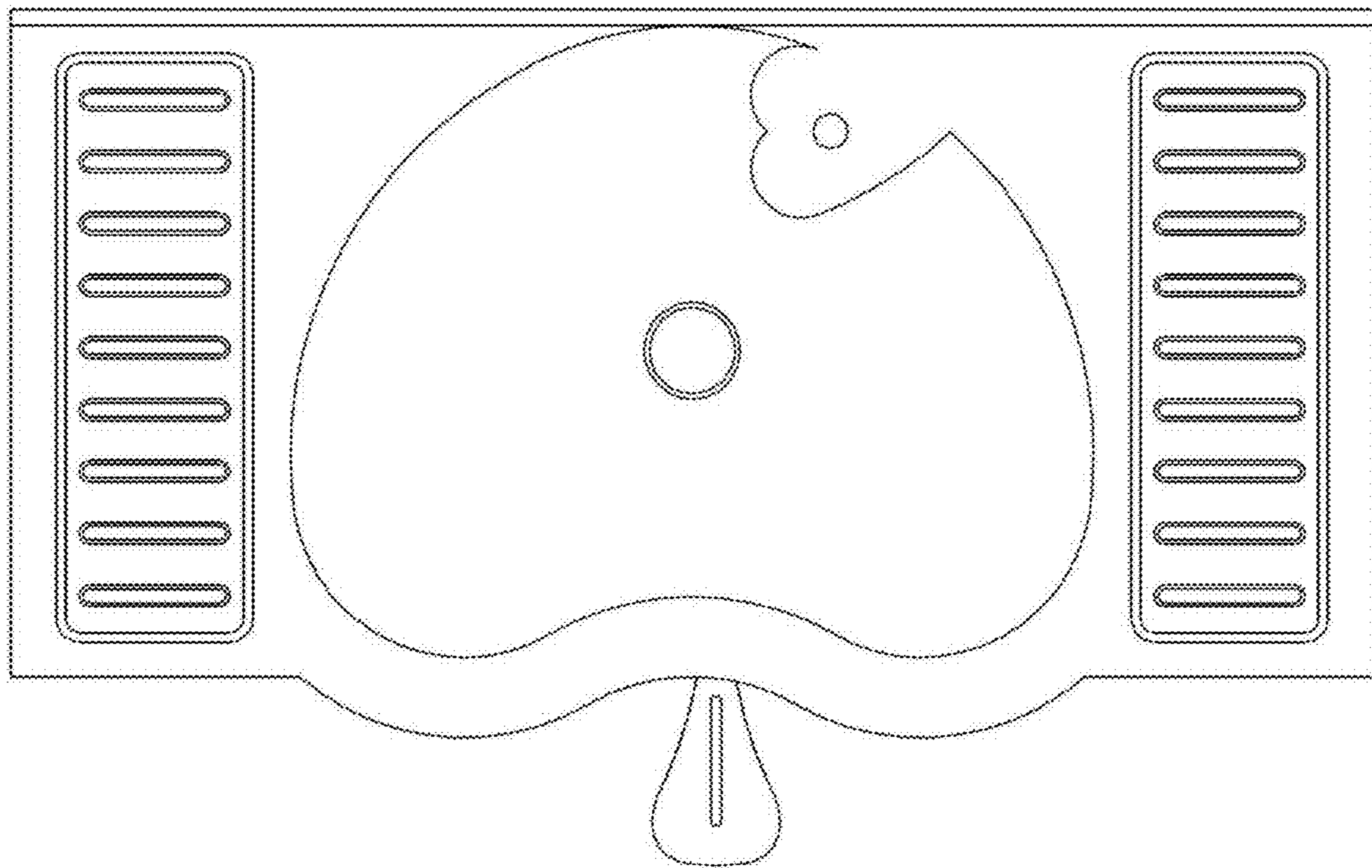


Fig. 7

