



US00D933173S

(12) **United States Design Patent** (10) **Patent No.:** **US D933,173 S**  
**Stoltzfus et al.** (45) **Date of Patent:** **\*\* Oct. 12, 2021**

- (54) **PROTECTIVE SHIELD FOR COVERING CONCRETE HOSE JOINTS**
- (71) Applicant: **SOMERO ENTERPRISES, INC.**, Ft. Myers, FL (US)
- (72) Inventors: **Daniel R. Stoltzfus**, Narvon, PA (US); **Jacob R. Stoltzfus**, Coatesville, PA (US)
- (73) Assignee: **SOMERO ENTERPRISES, INC.**, Ft. Myers, FL (US)
- (\*\*) Term: **15 Years**
- (21) Appl. No.: **29/788,401**
- (22) Filed: **May 17, 2021**

**Related U.S. Application Data**

- (62) Division of application No. 29/668,686, filed on Nov. 1, 2018, now Pat. No. Des. 919,774, which is a division of application No. 14/883,209, filed on Oct. 14, 2015, now Pat. No. 10,302,241.
- (51) **LOC (13) Cl.** ..... **23-01**
- (52) **U.S. Cl.**  
USPC ..... **D23/262**
- (58) **Field of Classification Search**  
USPC ..... D23/221, 259, 262-266, 213-214, D23/227-228, 249, 222; 285/130.1, 285/133.11, 123.15, 294.1, 294.4, 15-16, 285/45, 48-50, 53, 148.19, 148.21, 285/148.22, 235, 89, 390, 393; D24/129; D13/155; 138/96 R, 109-110, 118-118.1, 138/128, 125, 135, 155-156, 167, 169, 138/177, 149, 156-157, 178; 251/146-152; D8/303, 382; 403/320; D15/21  
CPC ..... F16L 25/0027; F16L 58/184; F16L 15/08  
See application file for complete search history.

- (56) **References Cited**  
U.S. PATENT DOCUMENTS  
410,816 A \* 9/1889 Walker et al. .... F16L 35/00  
285/45  
996,926 A 7/1911 Harrington  
2,024,602 A 12/1935 Roberts  
3,344,393 A \* 9/1967 Hendee ..... H01R 13/6392  
439/369

(Continued)

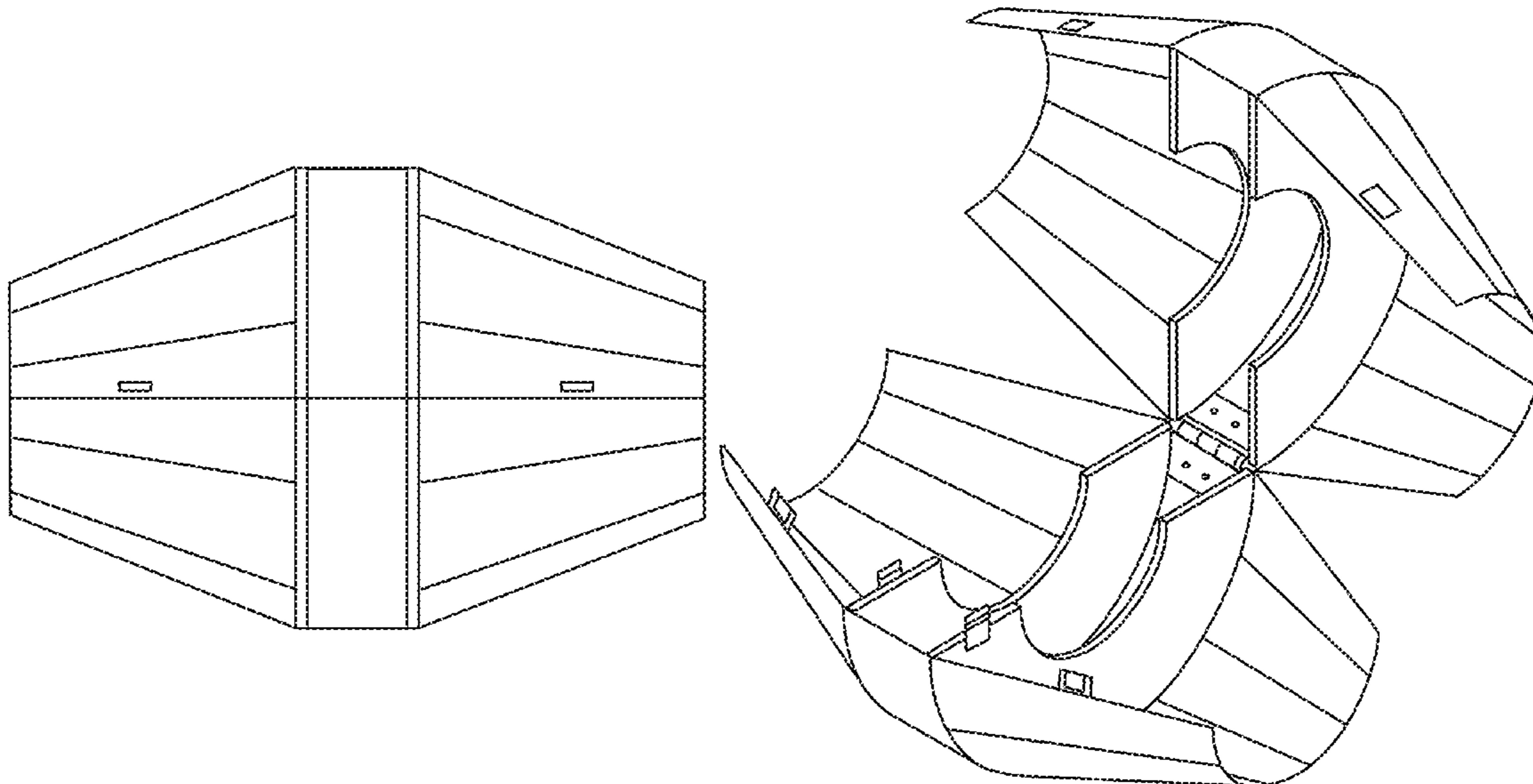
*Primary Examiner* — Amy C Wierenga  
(74) *Attorney, Agent, or Firm* — Honigman LLP

- (57) **CLAIM**  
The ornamental design for a protective shield for covering concrete hose joints, as shown and described.

**DESCRIPTION**

FIG. 1 is a front elevational view showing my new design for the protective shield for covering concrete hose joints, the protective shield being shown in a closed position; FIG. 2 is a rear elevational view of the protective shield in the closed configuration; FIG. 3 is a left end elevational view of the protective shield in the closed configuration; FIG. 4 is a right end elevational view of the protective shield in the closed configuration; FIG. 5 is a perspective view of the protective shield shown in the opened configuration to show the interior configuration for protecting the joint mechanism that connects two concrete hose segments; FIG. 6 is an end elevational view of the protective shield in the opened configuration; and, FIG. 7 is a perspective view of the protective shield in the opened configuration shown in a position of use in its environment. The broken lines shown in FIG. 7 illustrate environment that form no part of the claim.

**1 Claim, 4 Drawing Sheets**



(56)

References Cited

U.S. PATENT DOCUMENTS

4,218,080 A	8/1980	Kendrick		6,913,041 B2	7/2005	Lehnhardt et al.	
4,284,298 A *	8/1981	Kaufmann, Jr. ....	F16L 21/06	7,412,761 B2	8/2008	Male et al.	
			285/302	7,553,181 B1 *	6/2009	Van Dalinda, III .....	H01R 13/6392
4,522,435 A	6/1985	Miller et al.					174/92
4,615,543 A	10/1986	Cannon		7,938,457 B2	5/2011	Weinhandl et al.	
4,643,505 A *	2/1987	House .....	H01R 13/6392	8,312,957 B1	11/2012	Stoltzfus	
			174/92	D697,592 S	1/2014	Hebert	
4,741,559 A *	5/1988	Berghman .....	F16L 35/00	D733,268 S	6/2015	Becker	
			285/419	9,140,391 B2 *	9/2015	Pajak .....	F16L 21/065
4,838,465 A	6/1989	Metzger		D763,198 S *	8/2016	Nooner .....	D13/156
5,069,297 A	12/1991	Krueger et al.		9,518,690 B2 *	12/2016	Belisle .....	F16L 35/00
5,531,695 A	7/1996	Swisher		D776,623 S *	1/2017	Jenkins .....	D13/156
D403,412 S	12/1998	McMahon et al.		10,056,745 B2 *	8/2018	Nooner .....	H02G 3/0462
5,853,200 A *	12/1998	Zieres .....	F16L 35/00	10,302,241 B2	5/2019	Stoltzfus et al.	
			285/45	D919,774 S	5/2021	Stoltzfus et al.	
5,895,076 A	4/1999	Elliott		2010/0007141 A1	1/2010	Janssen	
6,588,976 B2	7/2003	Quenzi et al.		2016/0084423 A1	3/2016	Belisle	
6,878,007 B1 *	4/2005	Decker .....	H01R 13/625	2016/0123518 A1	5/2016	Stoltzfus et al.	
			248/328	2020/0141524 A1	5/2020	Pearman	

\* cited by examiner

Fig. 1

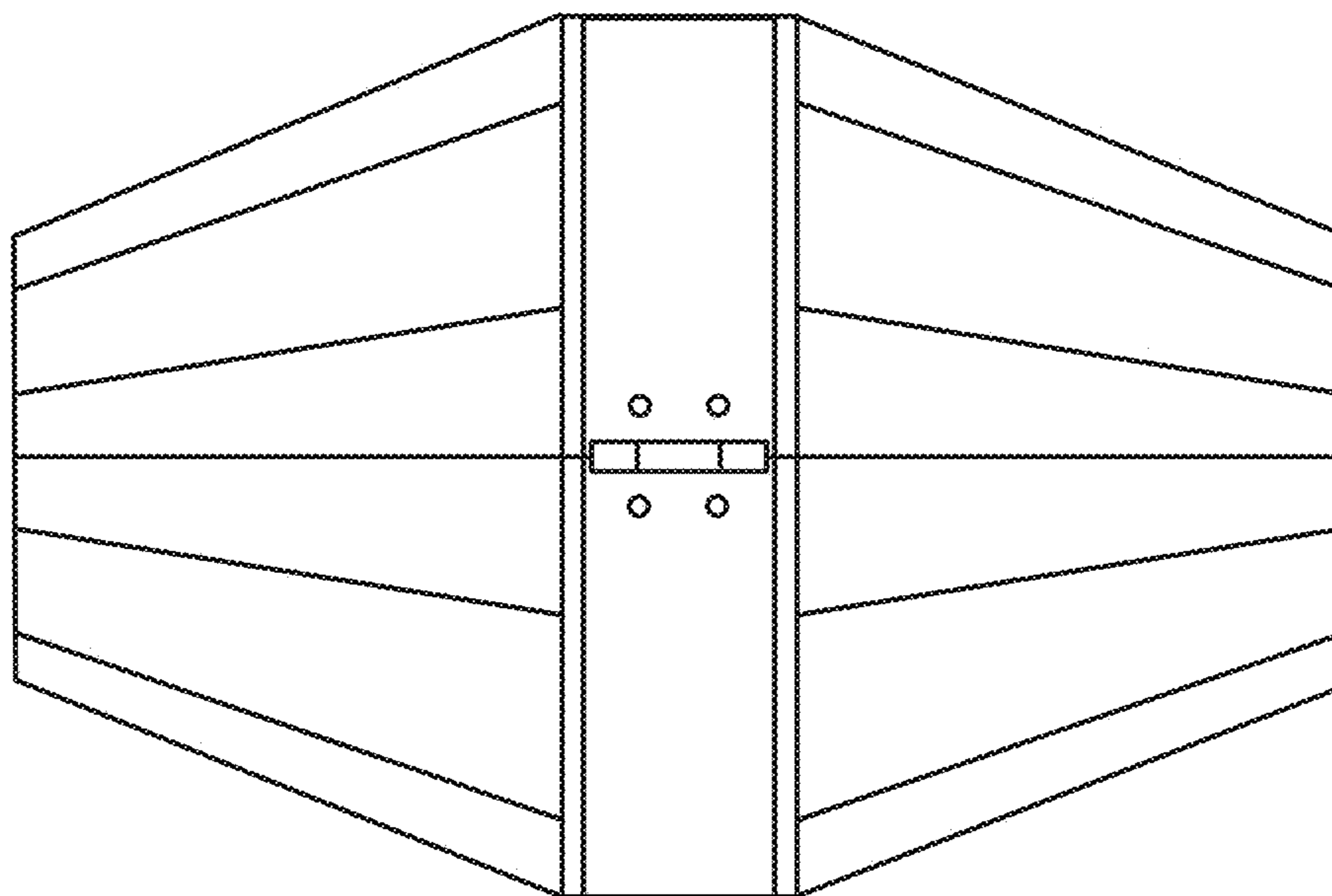
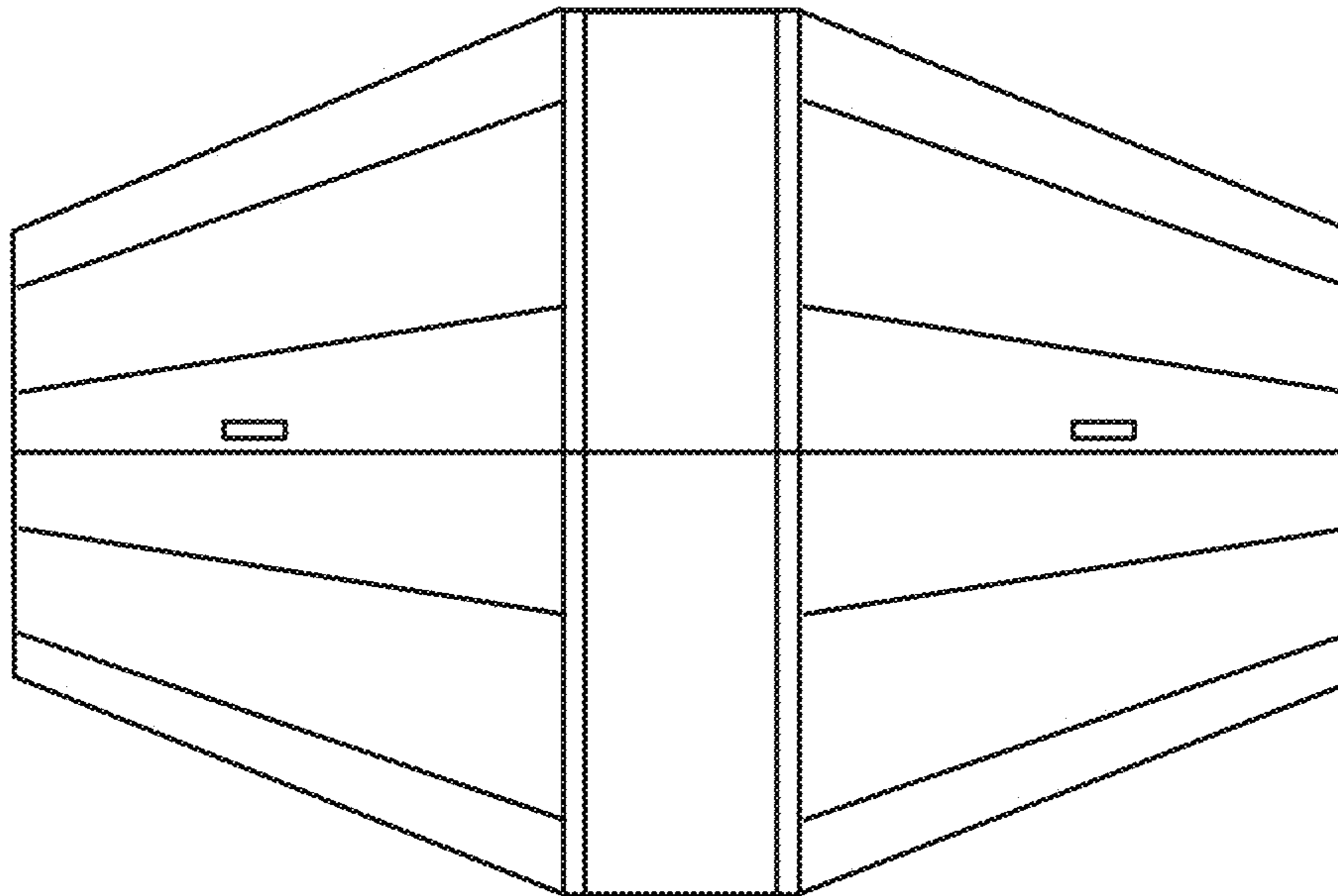


Fig. 2

Fig. 3

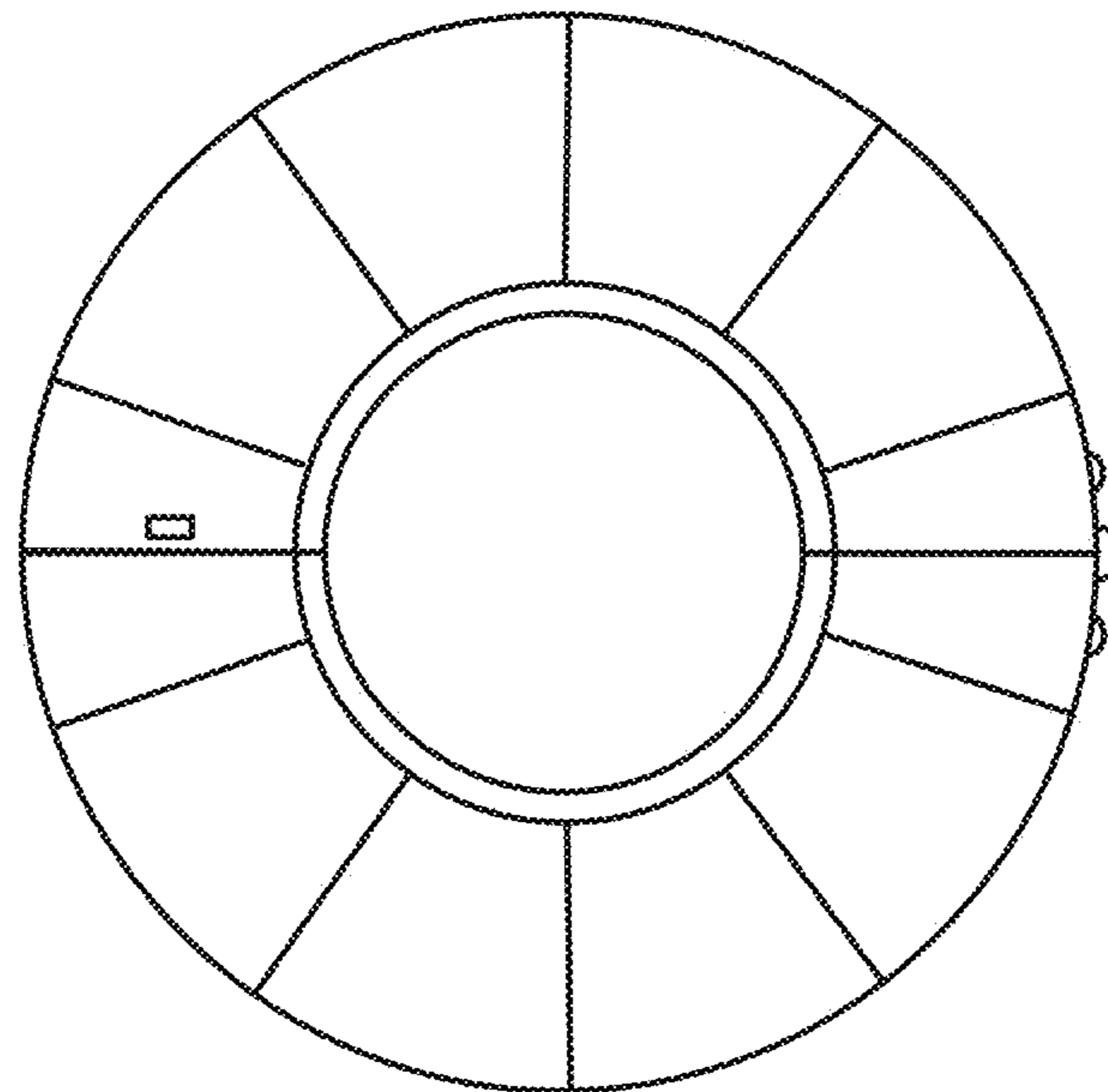
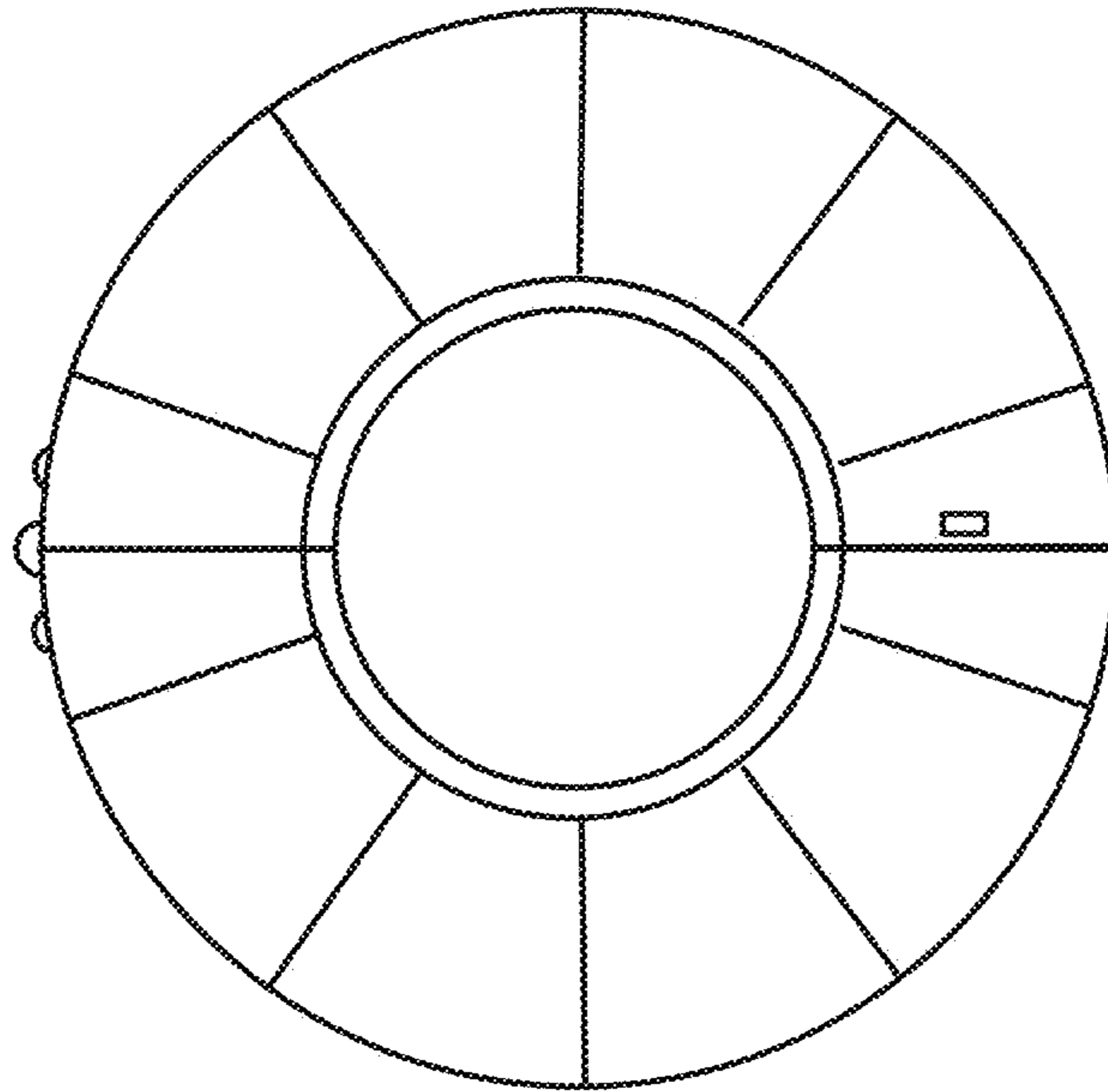


Fig. 4

Fig. 5

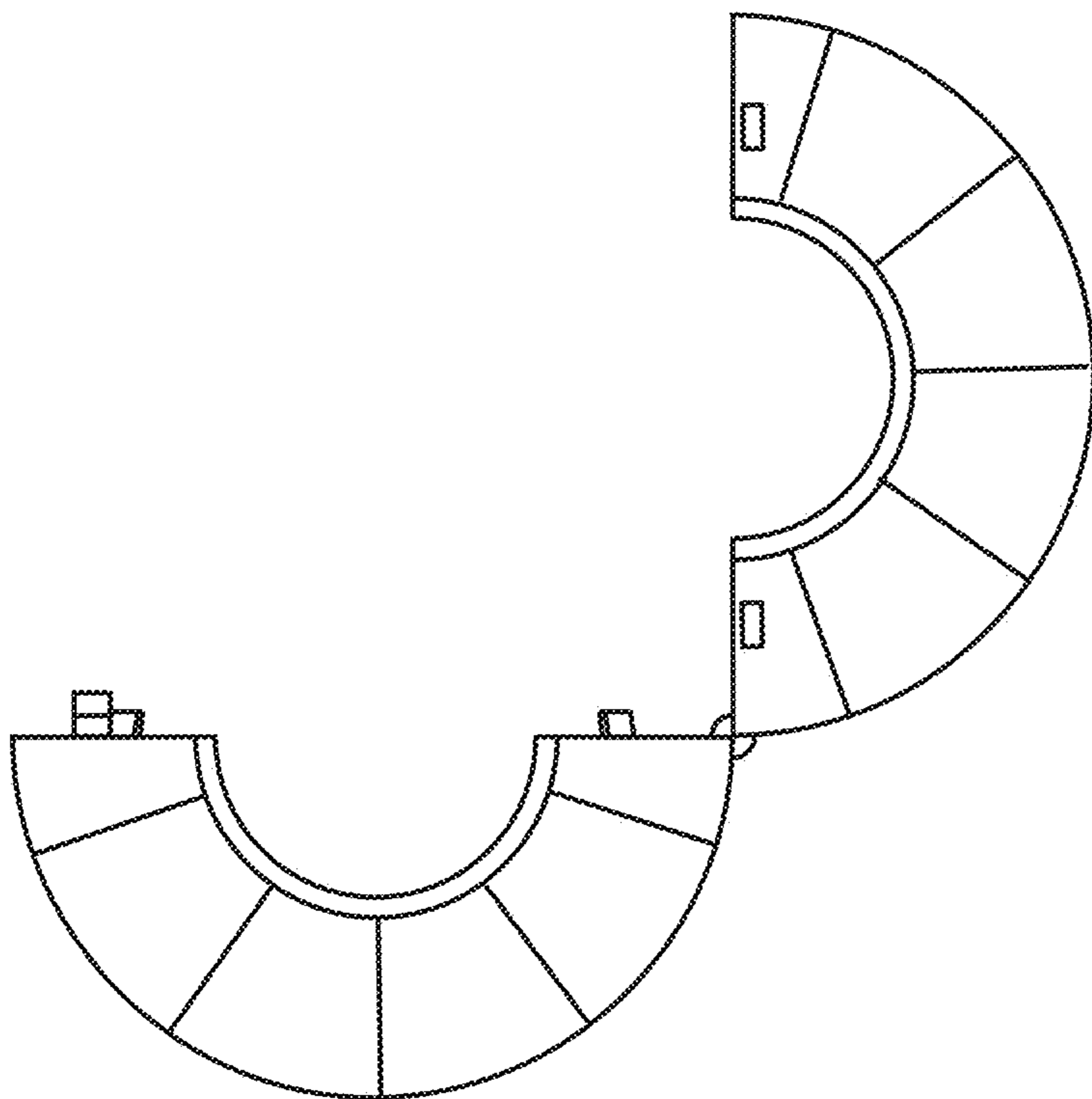
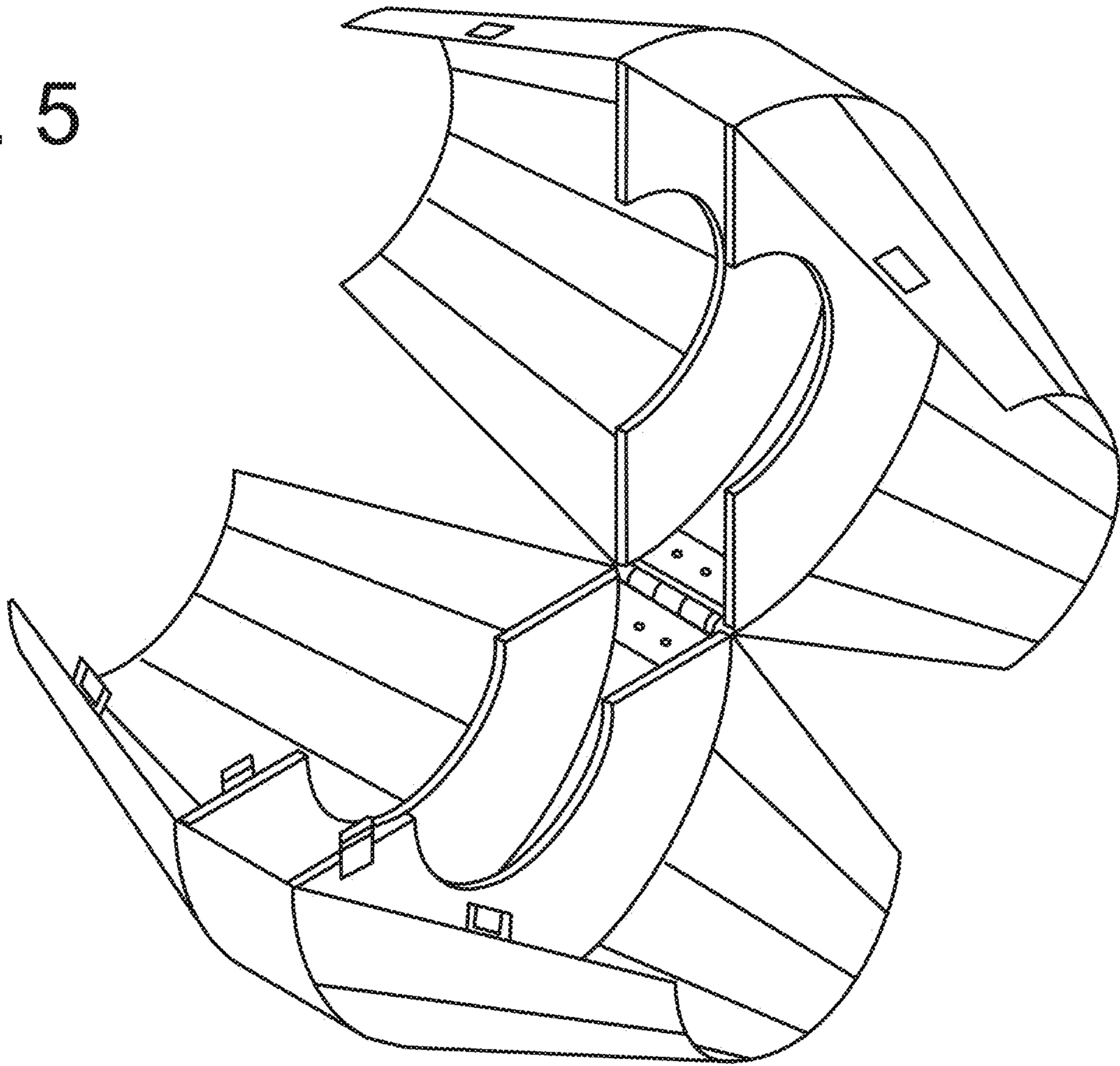


Fig. 6

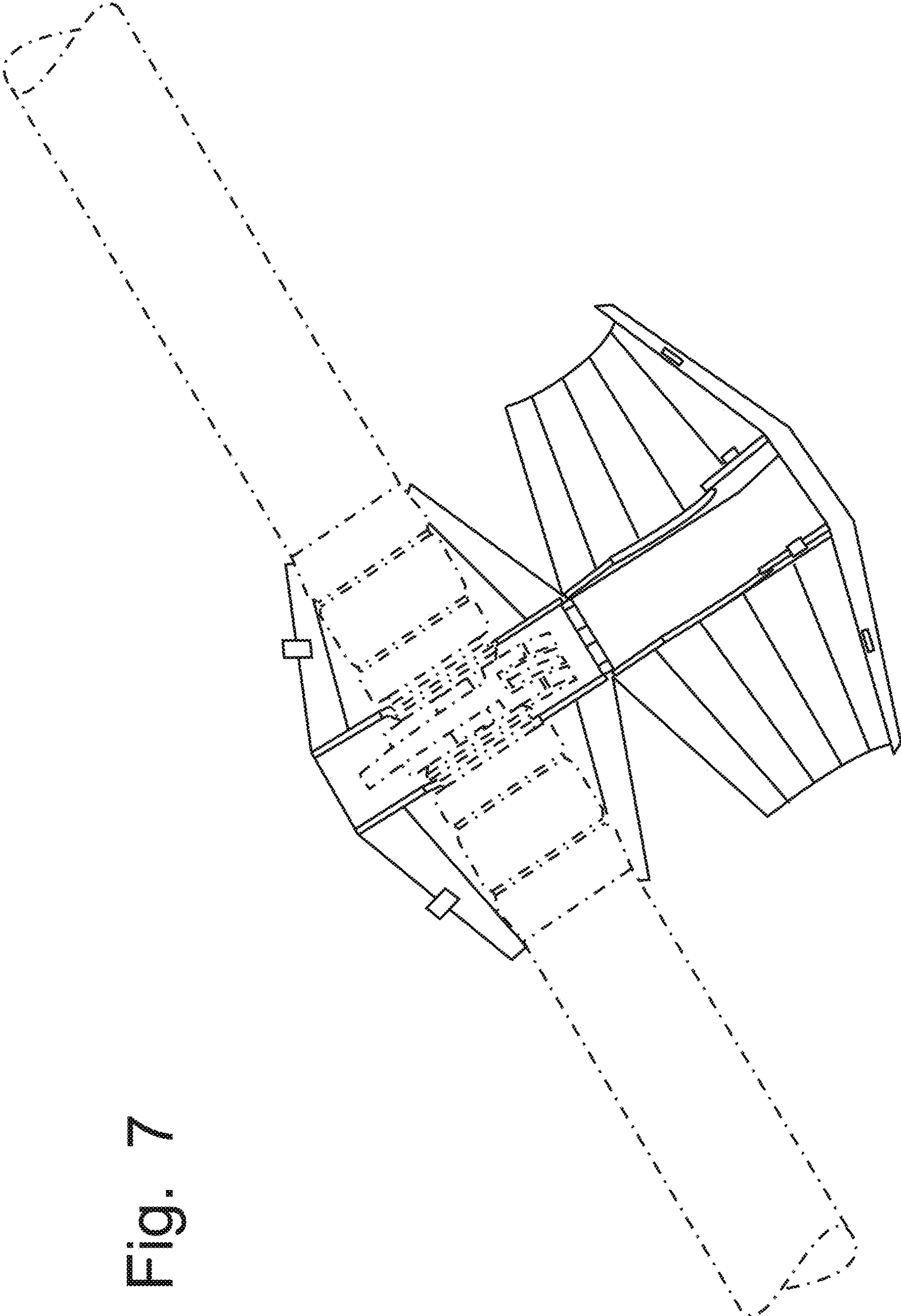


Fig. 7