



US00D933170S

(12) **United States Design Patent** (10) **Patent No.:** **US D933,170 S**
Para (45) **Date of Patent:** **** Oct. 12, 2021**

(54) **FAUCET SPOUT**
(71) Applicant: **DELTA FAUCET COMPANY,**
Indianapolis, IN (US)

D603,021 S * 10/2009 Roy D23/238
D690,399 S * 9/2013 Flowers D23/255
D797,897 S * 9/2017 Fritz D23/255
D828,510 S * 9/2018 Zeisel D23/238
D848,580 S * 5/2019 Garland D23/255

(72) Inventor: **Lauren Para,** Lisle, IL (US)

OTHER PUBLICATIONS

(73) Assignee: **DELTA FAUCET COMPANY,**
Indianapolis, IN (US)

Amazon, Bristan Echo Easy Kitchen Sink, posted Jul. 19, 2011, [online], [visited Jun. 4, 2021], Internet, <URL: https://www.amazon.co.uk/Bristan-EC-SNK-EF-Easyfit/dp/B00PW3MINC/ref> (Year: 2011).*

(**) Term: **15 Years**

* cited by examiner

(21) Appl. No.: **29/733,861**

(22) Filed: **May 7, 2020**

(51) **LOC (13) Cl.** **23-01**

(52) **U.S. Cl.**
USPC **D23/255**

(58) **Field of Classification Search**
USPC D23/257, 249, 254, 259, 255, 233, 234,
D23/235, 236, 237, 238, 239, 240, 241,
D23/242, 243, 244, 245, 246, 247, 248,
D23/250, 251, 252, 253, 256
CPC E03C 1/01; E03C 1/0409; E03C 1/025;
E03C 1/0408; Y10T 137/5339; Y10T
137/6014; Y10T 137/6021

Primary Examiner — Sheryl Lane
Assistant Examiner — Samantha N Wood
(74) *Attorney, Agent, or Firm* — Nirav D. Parikh; Edgar A. Zarins

See application file for complete search history.

(57) **CLAIM**

The ornamental design for a faucet spout, as shown and described.

(56) **References Cited**

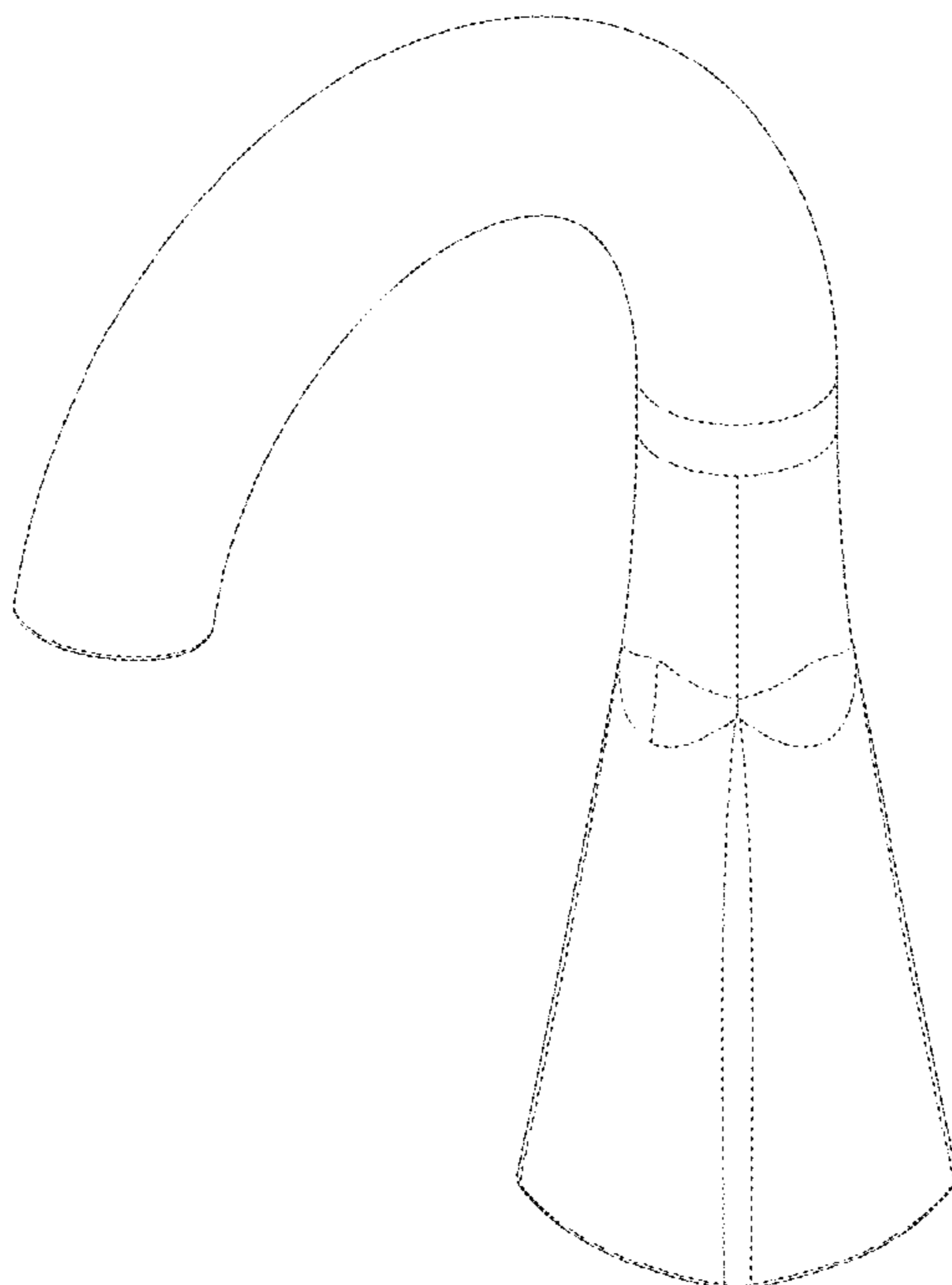
U.S. PATENT DOCUMENTS

D440,633 S * 4/2001 Fleischmann D23/238
D440,635 S * 4/2001 Fleischmann D23/238
D444,212 S * 6/2001 Fleischmann D23/238
D487,923 S * 3/2004 Fraser D23/238
D511,811 S * 11/2005 Lord D23/238
D521,121 S * 5/2006 Fritz D23/255
D566,811 S * 4/2008 Zhang D23/238

DESCRIPTION

FIG. 1 is a front perspective view of a faucet spout showing my new design;
FIG. 2 is a rear perspective view thereof;
FIG. 3 is a front elevational view thereof;
FIG. 4 is a left side view thereof;
FIG. 5 is a rear view thereof;
FIG. 6 is a right side view thereof;
FIG. 7 is a top plan view thereof; and,
FIG. 8 is a bottom view thereof.

1 Claim, 4 Drawing Sheets



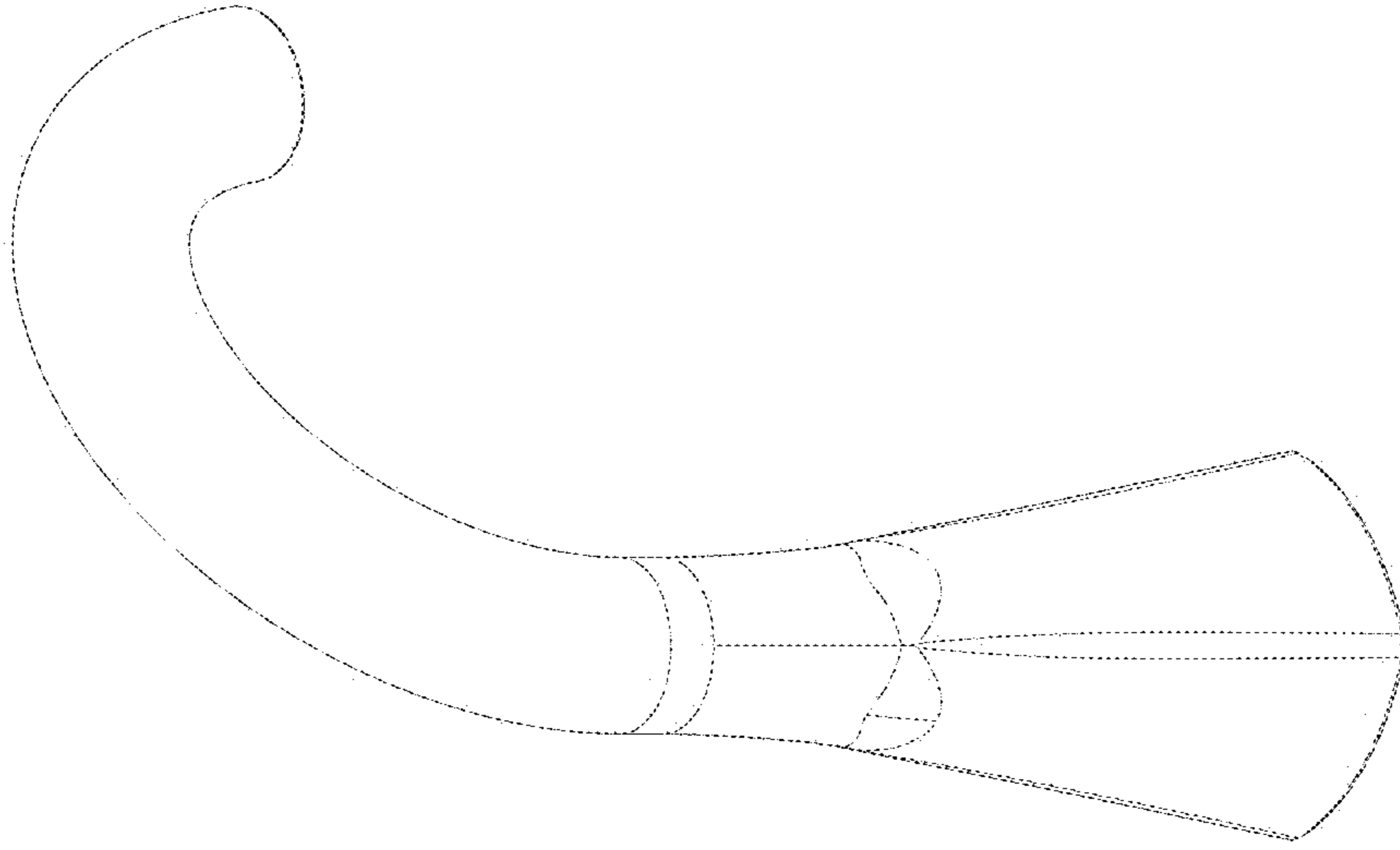


FIG - 2

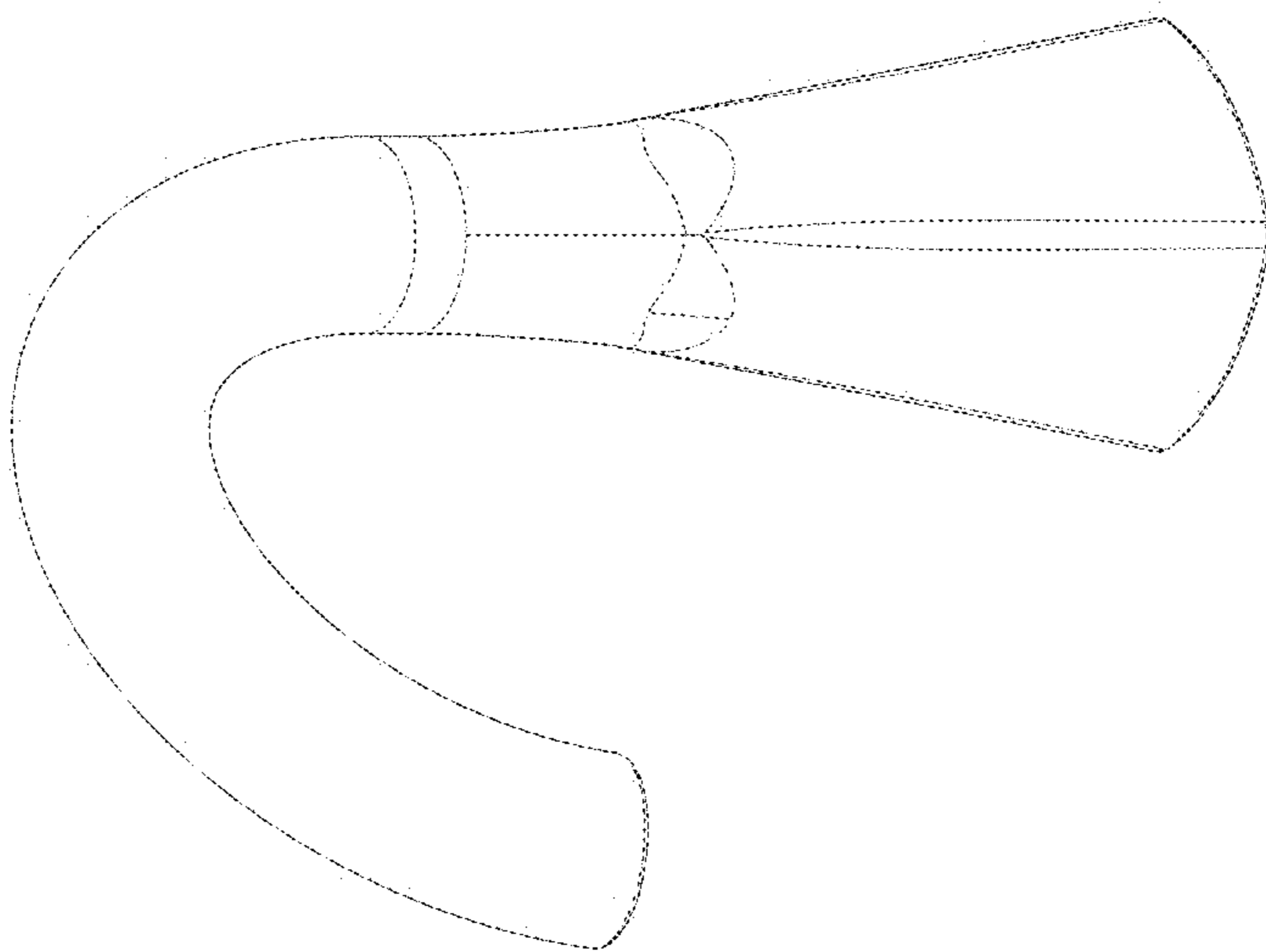


FIG - 1

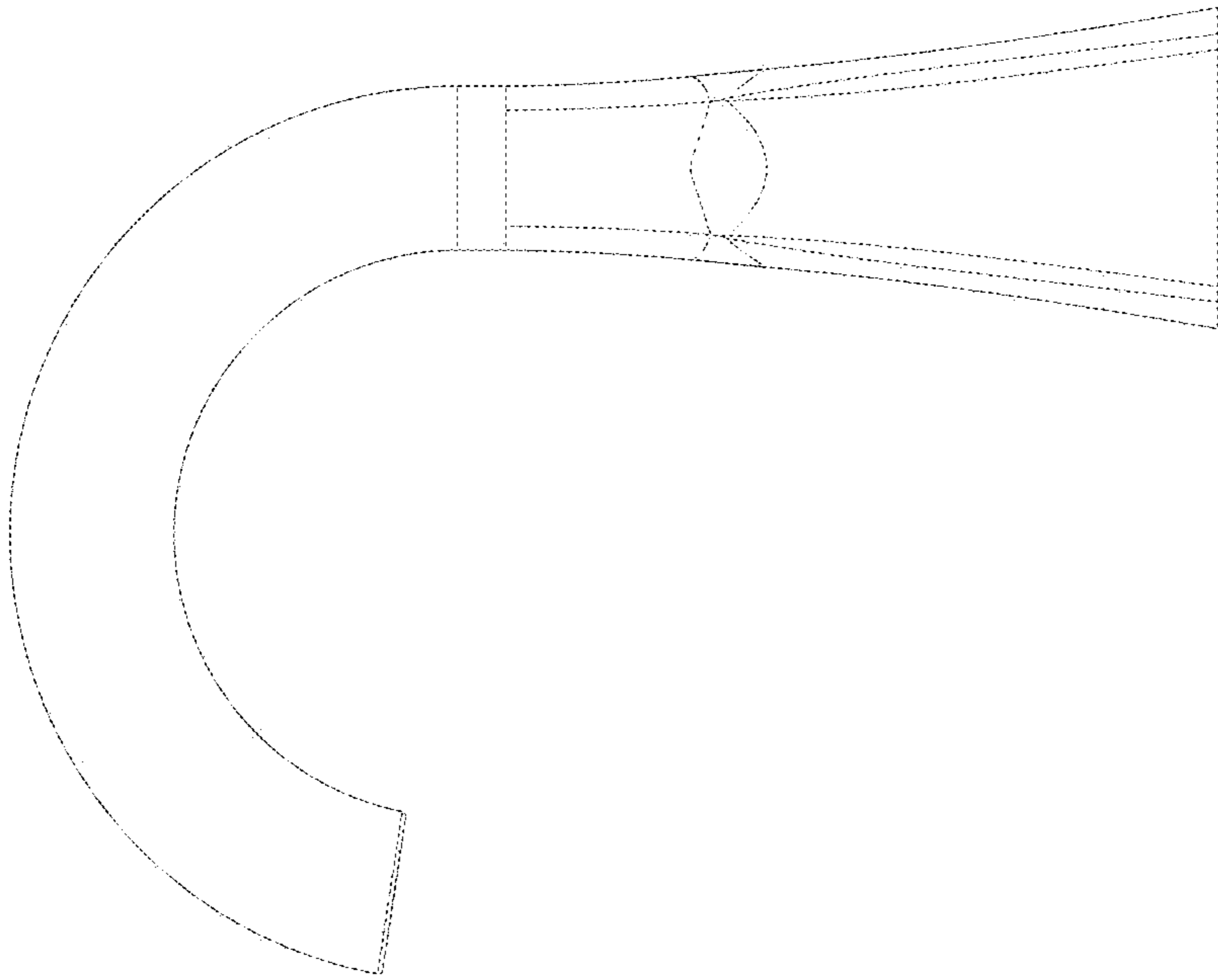


FIG - 4

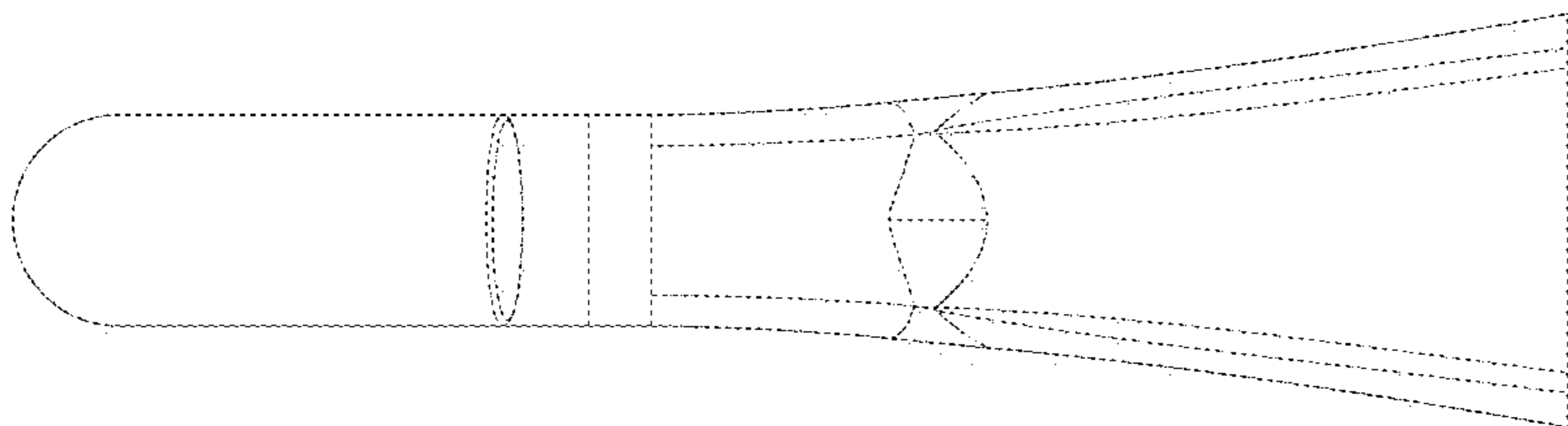


FIG - 3

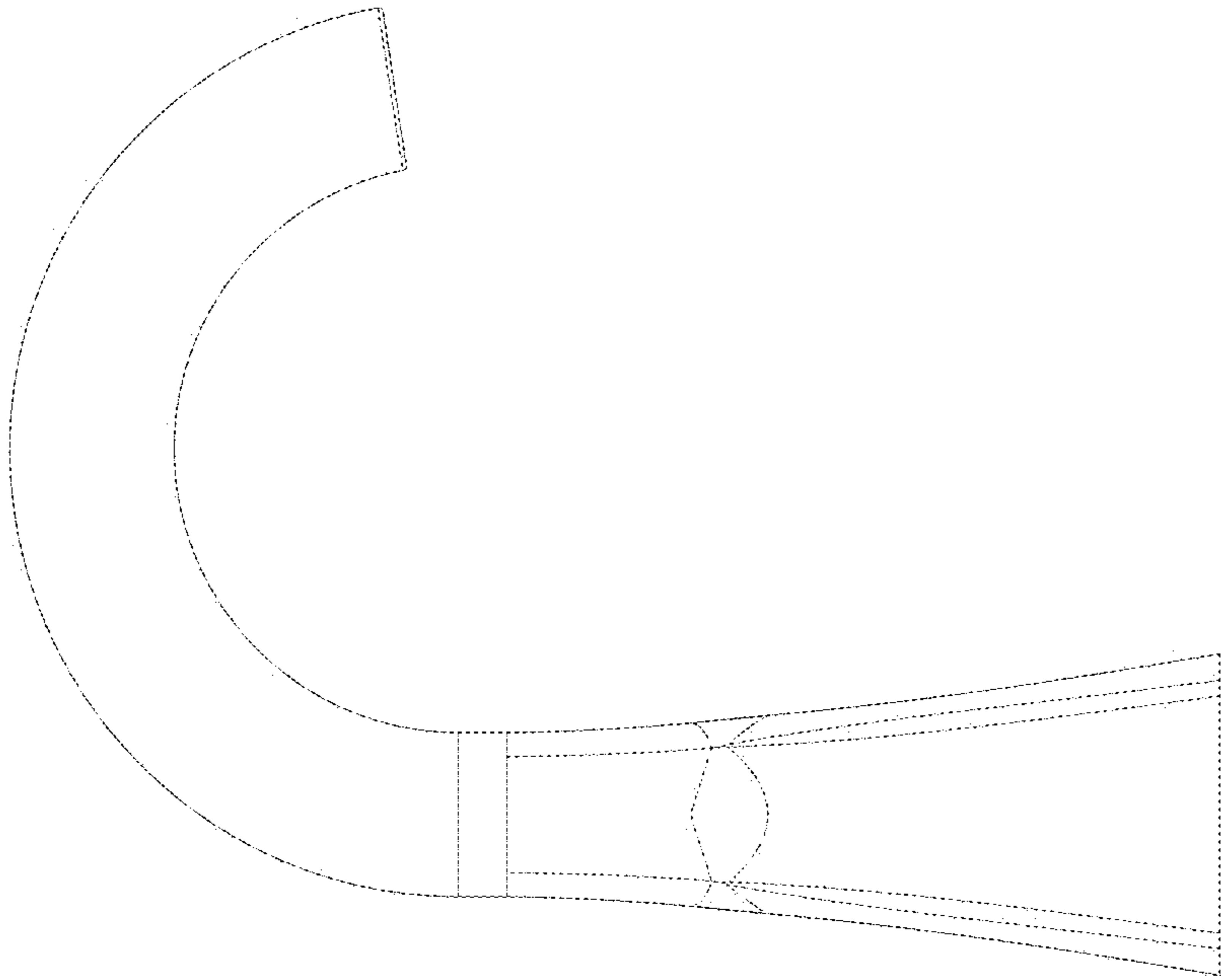


FIG - 6

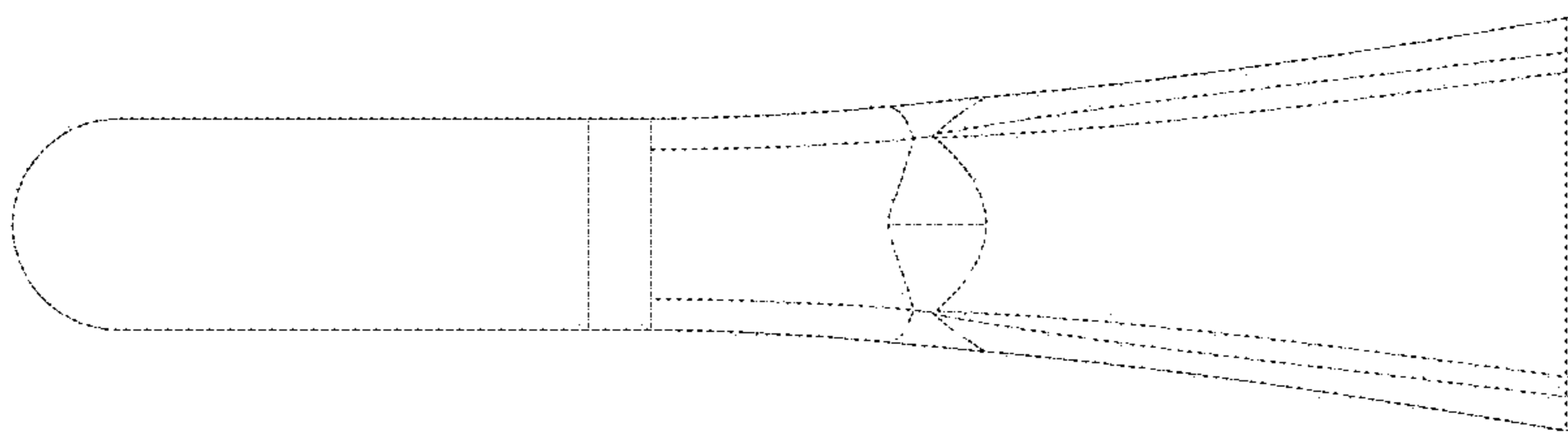


FIG - 5

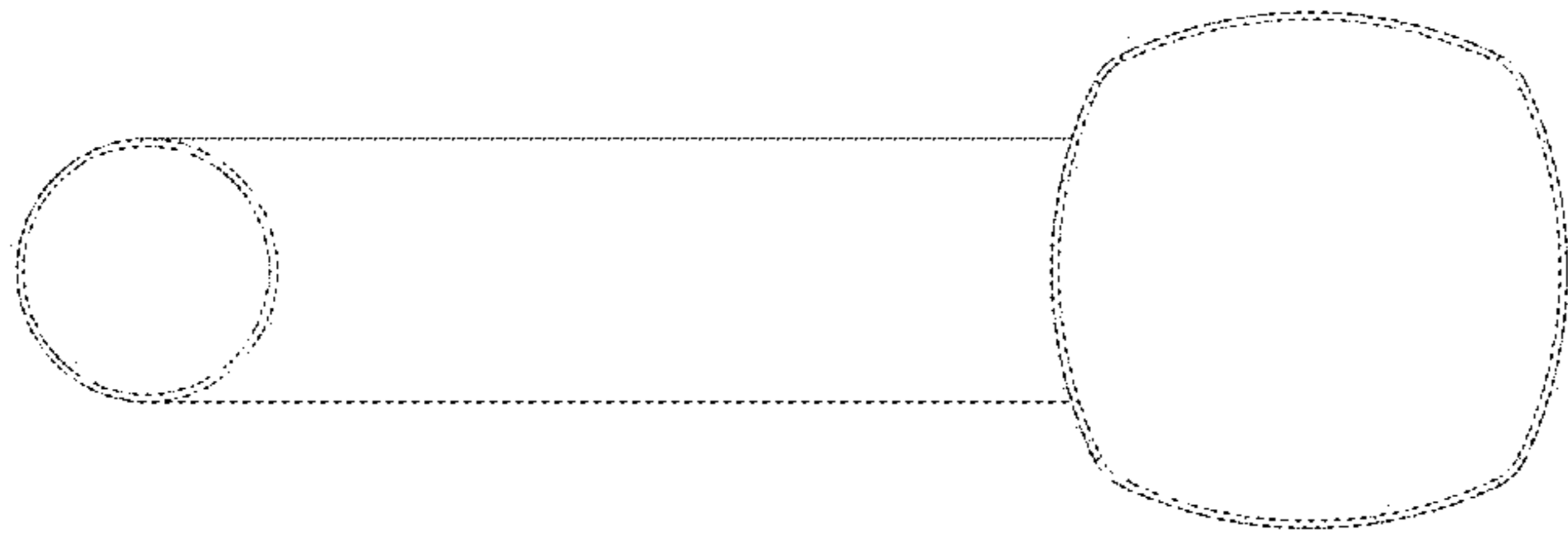


FIG - 8

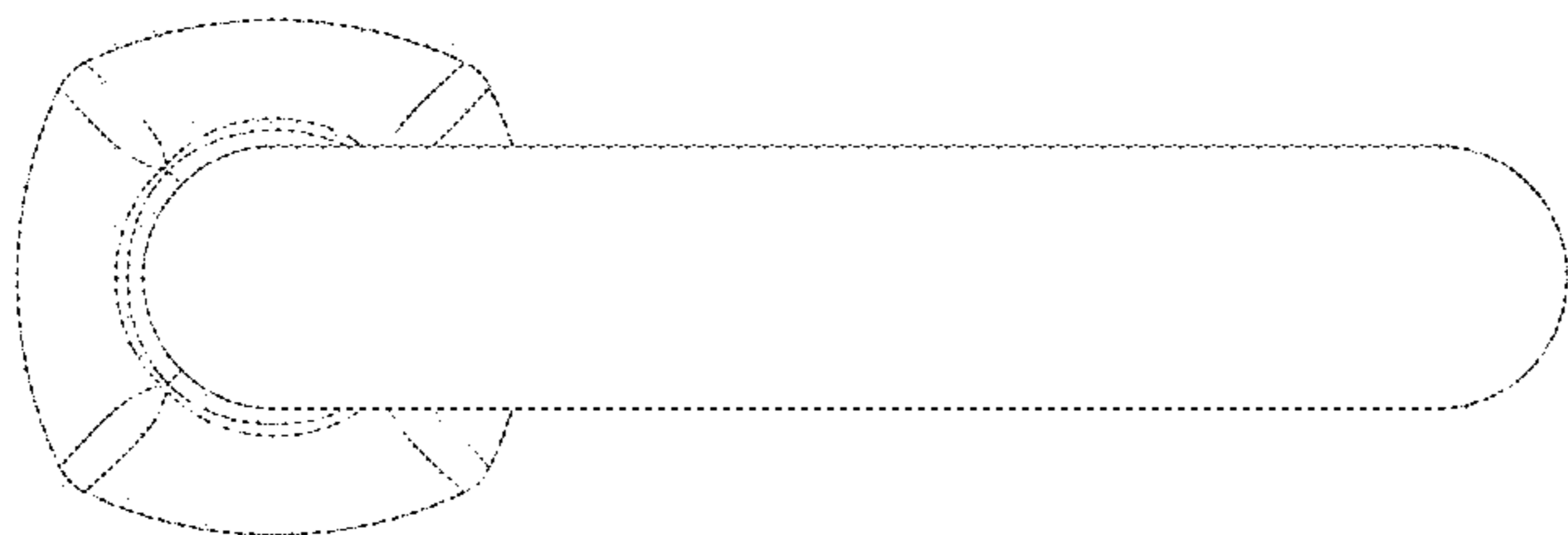


FIG - 7