



US00D933169S

(12) **United States Design Patent** (10) **Patent No.:** **US D933,169 S**
Lazarini (45) **Date of Patent:** **** Oct. 12, 2021**

(54) **FAUCET SPOUT**

(71) Applicant: **DELTA FAUCET COMPANY,**
Indianapolis, IN (US)

(72) Inventor: **Alejandra Lazarini,** Carmel, IN (US)

(73) Assignee: **DELTA FAUCET COMPANY,**
Indianapolis, IN (US)

(**) Term: **15 Years**

(21) Appl. No.: **29/732,692**

(22) Filed: **Apr. 27, 2020**

(51) **LOC (13) Cl.** **23-01**

(52) **U.S. Cl.**
USPC **D23/255**

(58) **Field of Classification Search**
USPC D23/257, 249, 254, 259, 255, 233, 234,
D23/235, 236, 237, 238, 239, 240, 241,
D23/242, 243, 244, 245, 246, 247, 248,
D23/250, 251, 252, 253, 256
CPC E03C 1/01; E03C 1/0409; E03C 1/025;
E03C 1/0408; Y10T 137/5339; Y10T
137/6014; Y10T 137/6021

See application file for complete search history.

(56) **References Cited**

U.S. PATENT DOCUMENTS

D461,540 S *	8/2002	Gottwald	D23/243
D490,879 S *	6/2004	Lin	D23/238
D518,558 S *	4/2006	Soriano	D23/255
D518,880 S *	4/2006	Singtoroj	D23/255
D533,634 S *	12/2006	Lord	D23/238
D540,914 S *	4/2007	Haug	D23/235
D566,811 S *	4/2008	Zhang	D23/238
D645,544 S *	9/2011	Flowers	D23/238
D797,258 S *	9/2017	Schaubach	D23/255

D797,897 S *	9/2017	Fritz	D23/255
D825,031 S *	8/2018	Haug	D23/238
2013/0186489 A1 *	7/2013	Hsu	F16K 27/044 137/603

FOREIGN PATENT DOCUMENTS

CN 201830566806.6 * 10/2018

OTHER PUBLICATIONS

Amazon, VZJSLT Modern Faucet, posted Dec. 13, 2019, [online], [visited Jun. 4, 2021]. Internet, <URL: <https://www.amazon.co.uk/VZJSLT-traditional-household-Intelligent-automatic/dp/B082PWV8HZ/ref>> (Year: 2019).*

Amazon, CREA Kitchen Mixer Tap, posted May 25, 2017, [online], [visited Jun. 4, 2021]. Internet, <URL: <https://www.amazon.co.uk/Stainless-Outdoor-CREA-Bathroom-Kitchen/dp/B072LXRSR2/ref>> (Year: 2017).*

* cited by examiner

Primary Examiner — Sheryl Lane

Assistant Examiner — Samantha N Wood

(74) *Attorney, Agent, or Firm* — Nirav D. Parikh; Edgar A. Zarins

(57) **CLAIM**

The ornamental design for a faucet spout, as shown and described.

DESCRIPTION

FIG. 1 is a front perspective view of a faucet spout showing my new design;

FIG. 2 is a rear perspective view thereof;

FIG. 3 is a front elevational view thereof;

FIG. 4 is a left side view thereof;

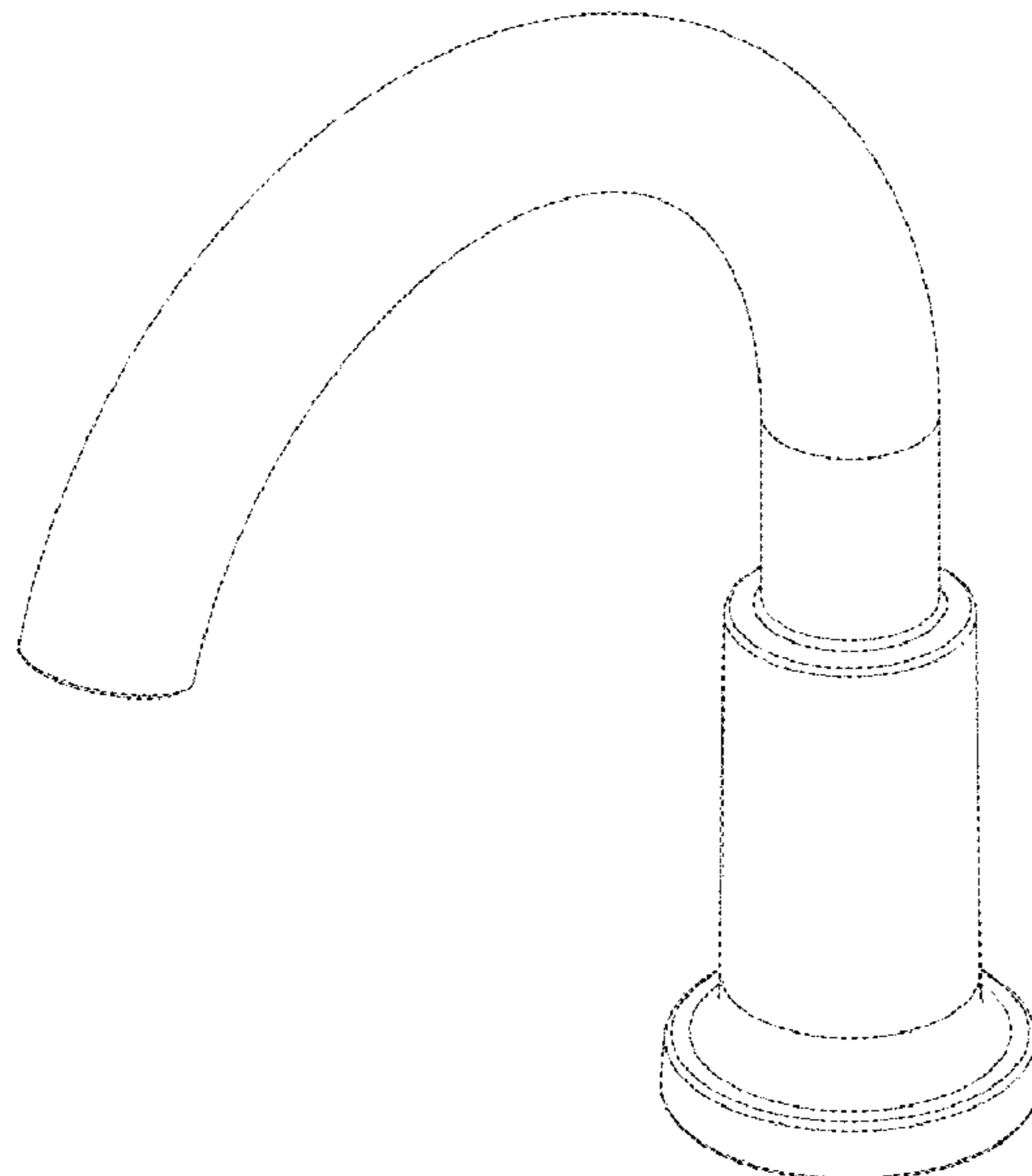
FIG. 5 is a rear view thereof;

FIG. 6 is a right side view thereof;

FIG. 7 is a top plan view thereof; and,

FIG. 8 is a bottom view thereof.

1 Claim, 4 Drawing Sheets



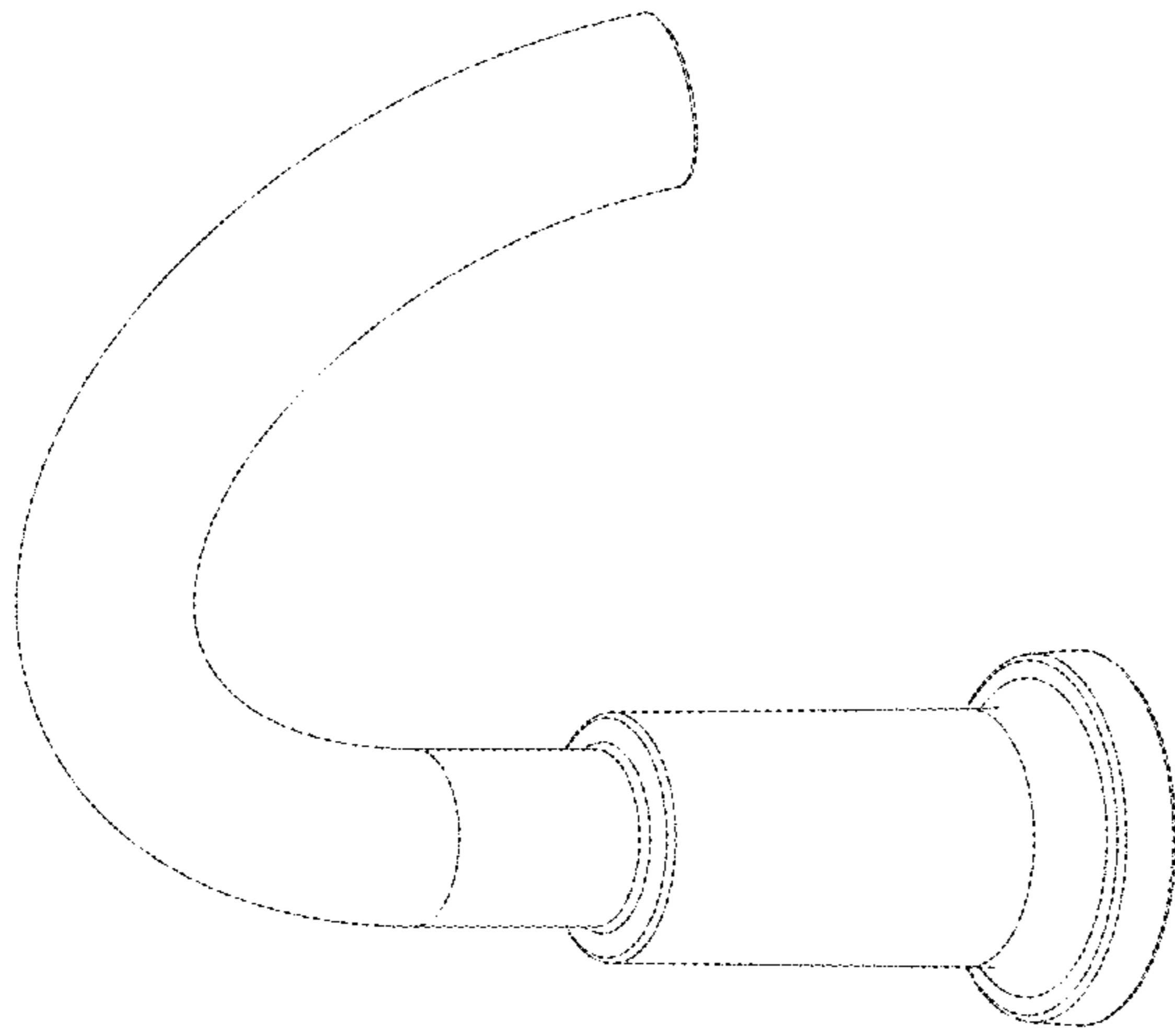


FIG - 2

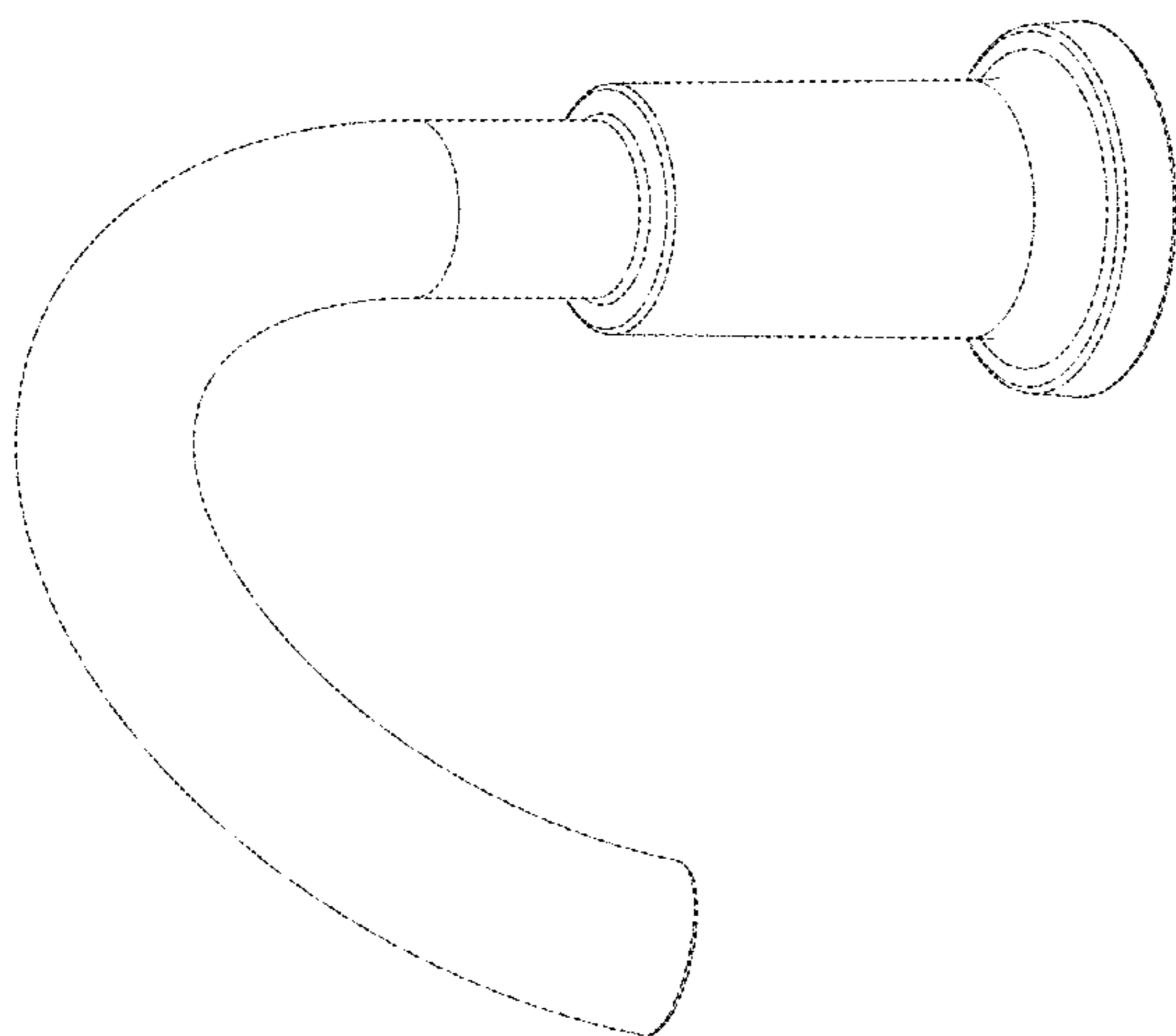


FIG - 1

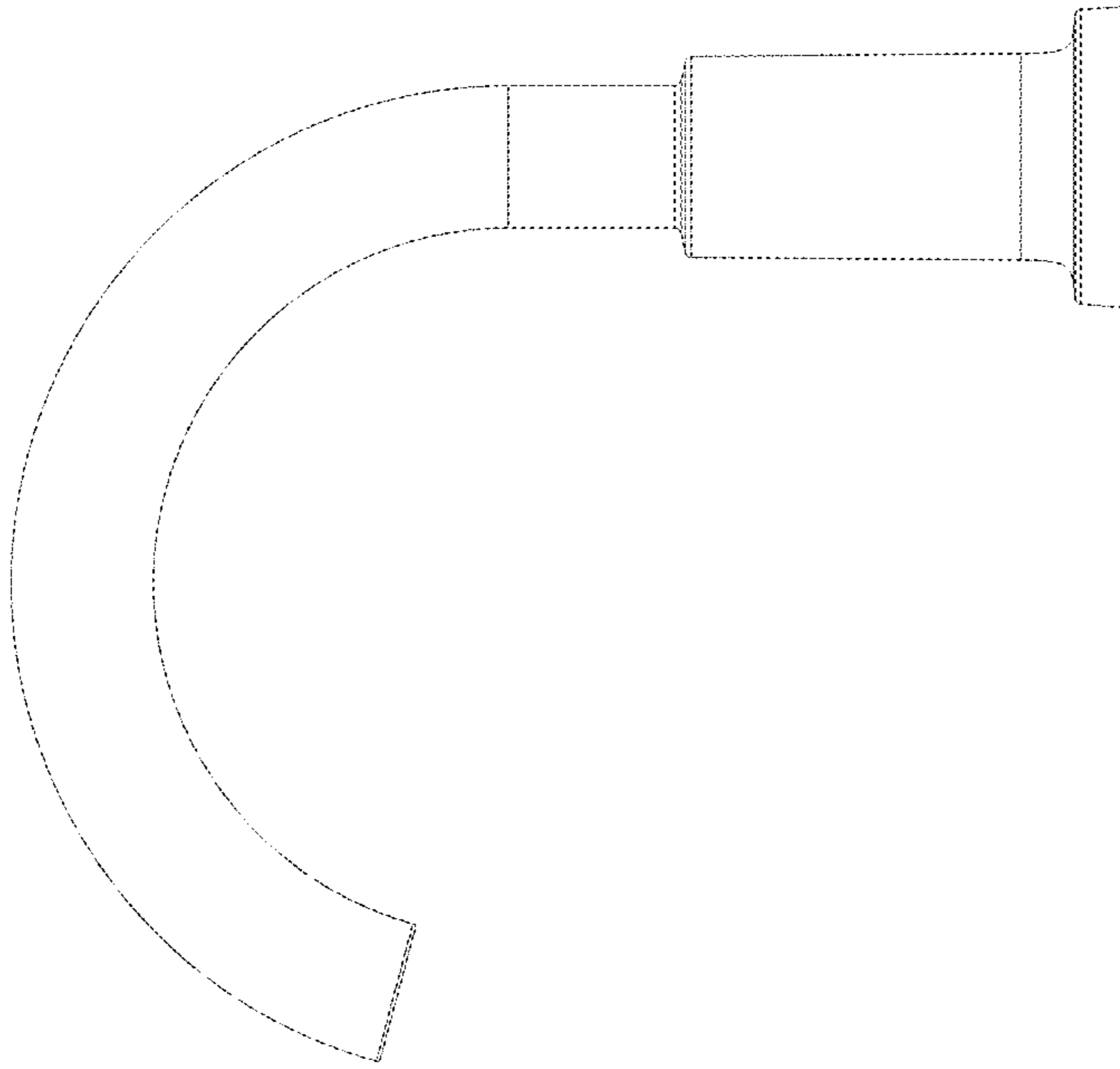


FIG-4

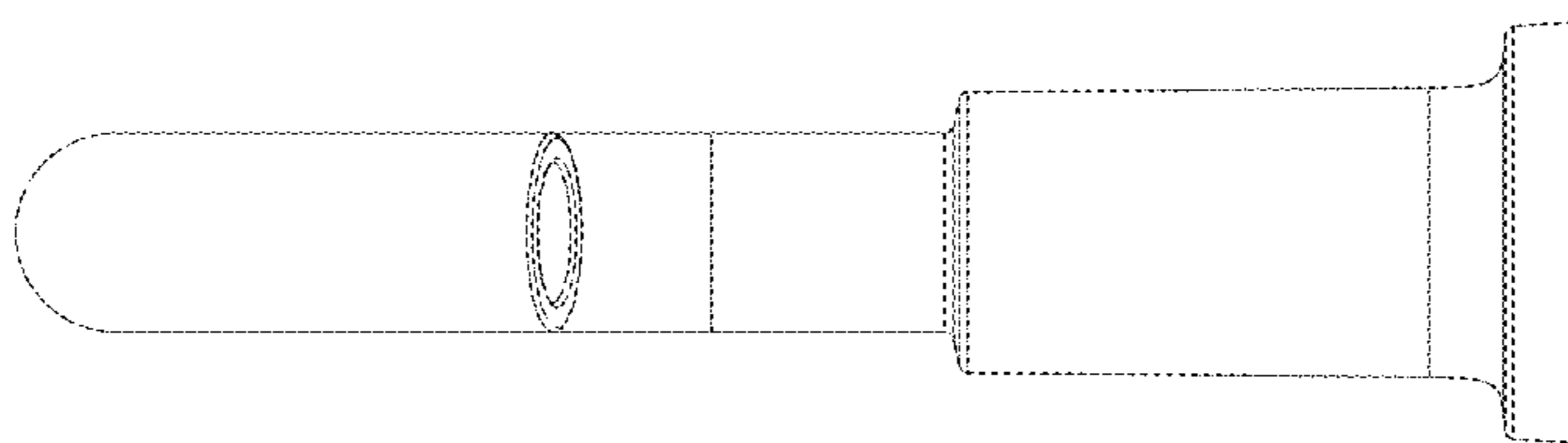


FIG-3

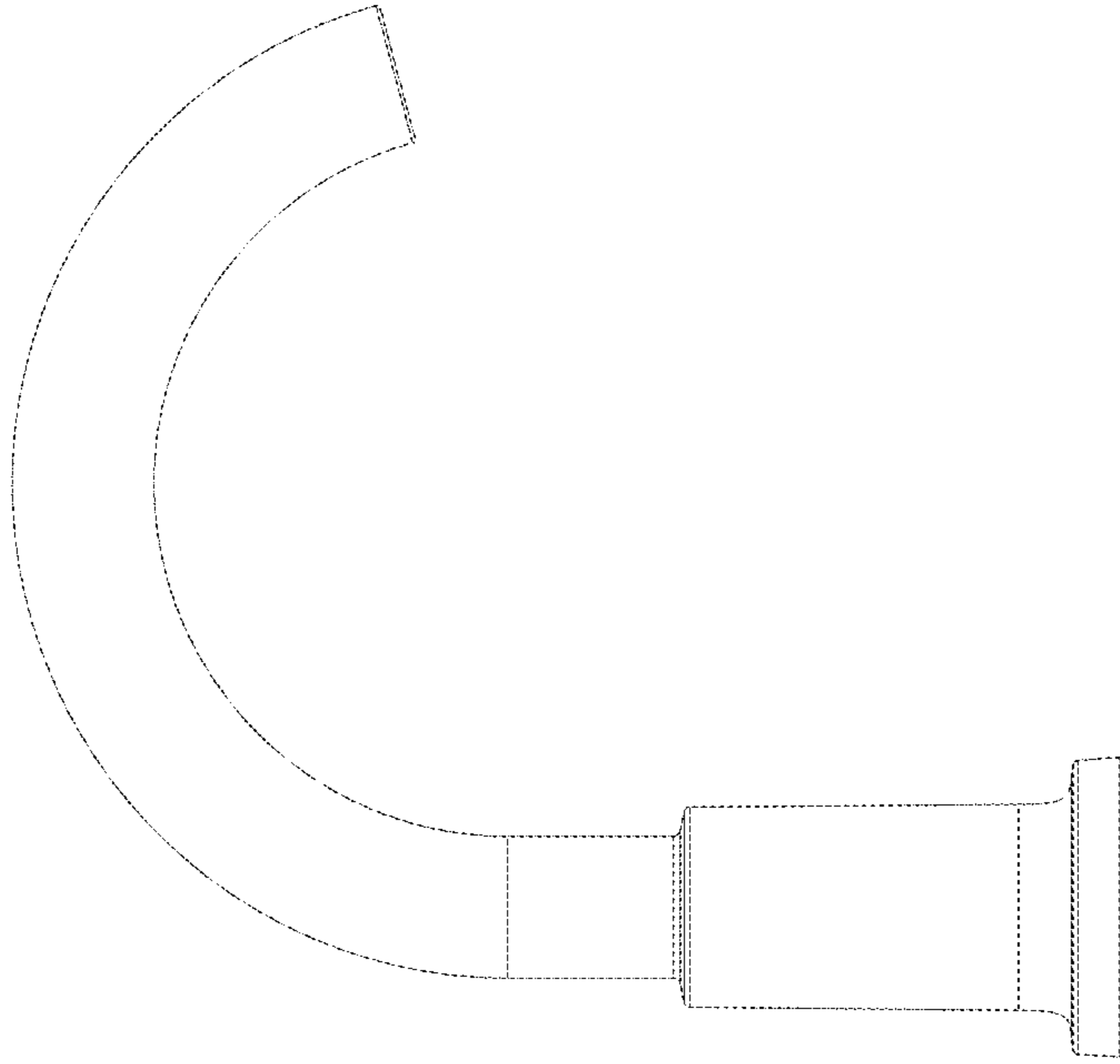


FIG-6

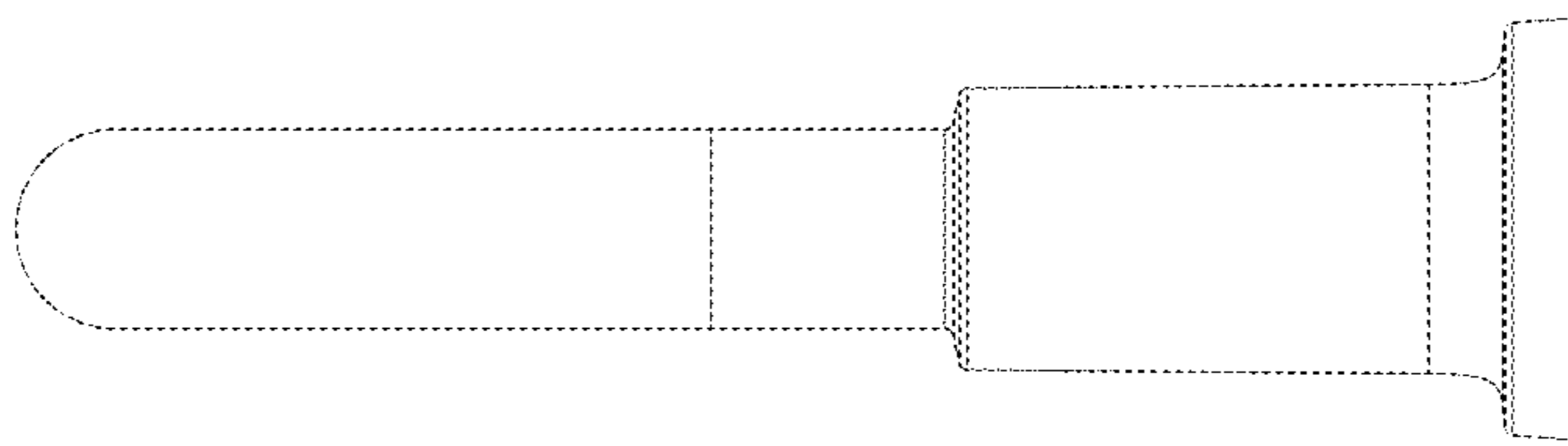


FIG-5

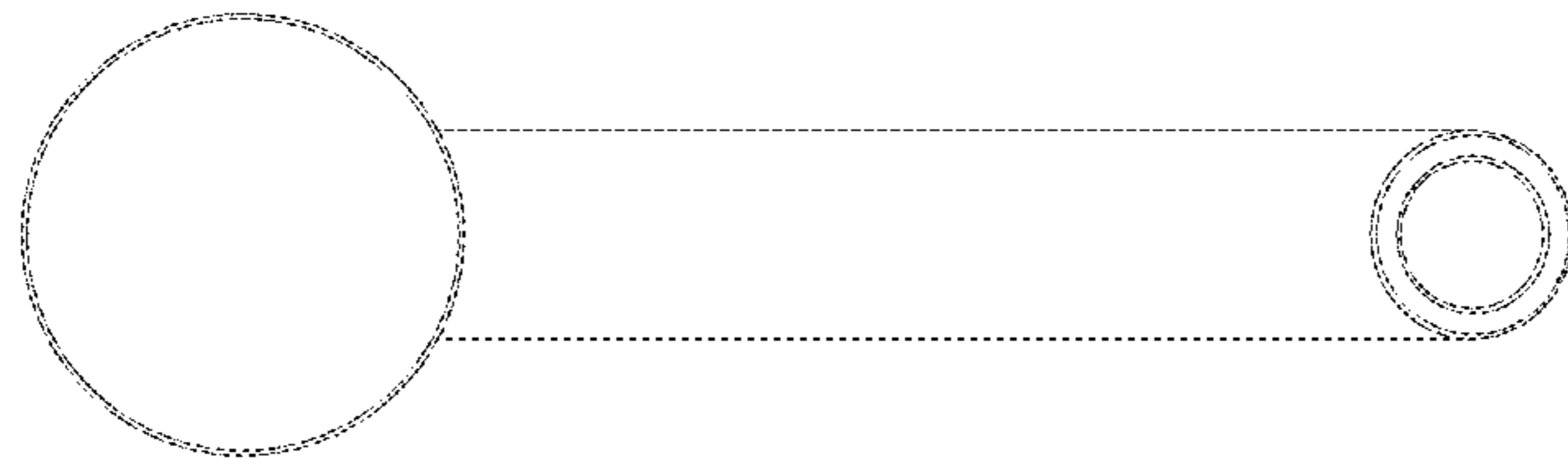


FIG-8

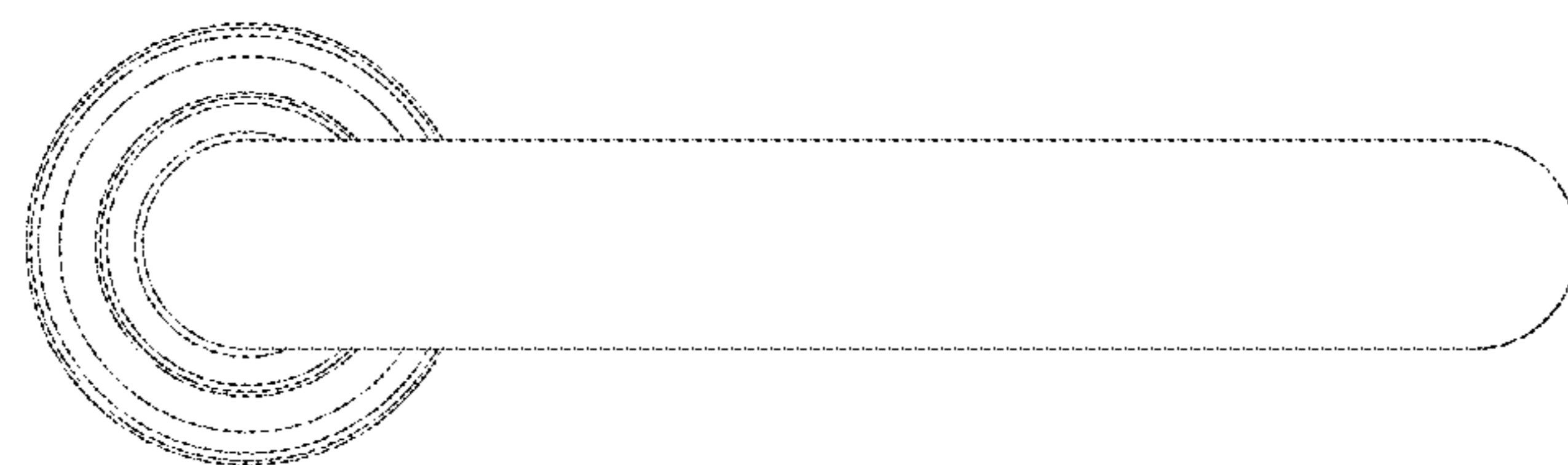


FIG-7