



US00D933168S

(12) **United States Design Patent**
Lazarini

(10) **Patent No.:** **US D933,168 S**

(45) **Date of Patent:** **** Oct. 12, 2021**

(54) **TUB SPOUT**

(71) Applicant: **DELTA FAUCET COMPANY,**
Indianapolis, IN (US)

(72) Inventor: **Alejandra Lazarini,** Carmel, IN (US)

(73) Assignee: **DELTA FAUCET COMPANY,**
Indianapolis, IN (US)

(**) Term: **15 Years**

(21) Appl. No.: **29/728,899**

(22) Filed: **Mar. 23, 2020**

(51) **LOC (13) Cl.** **23-01**

(52) **U.S. Cl.**
USPC **D23/255**

(58) **Field of Classification Search**
USPC D23/257, 249, 254, 259, 255, 233, 234,
D23/235, 236, 237, 238, 240, 241, 242,
D23/243, 244, 245, 246, 247, 248, 250,
D23/251, 252, 253, 256
CPC E03C 1/01; E03C 1/0409; E03C 1/025;
E03C 1/0408; Y10T 137/5339; Y10T
137/6014; Y10T 137/6021
See application file for complete search history.

(56) **References Cited**

U.S. PATENT DOCUMENTS

D527,807 S * 9/2006 Haug D23/255
D651,288 S * 12/2011 Slothower D23/255

D679,782 S * 4/2013 Vish D23/255
D704,304 S * 5/2014 Schoenherr D23/238
D757,231 S * 5/2016 Garland D23/257
D767,733 S * 9/2016 Hong D23/255
D798,421 S * 9/2017 Eads D23/257
D800,274 S * 10/2017 Andrew D23/255
D810,244 S * 2/2018 Schoenherr D23/255
D815,255 S * 4/2018 Garland D23/255
D865,133 S * 10/2019 Hoogendoorn D23/255

* cited by examiner

Primary Examiner — Wendy L Arminio

Assistant Examiner — Samantha N Wood

(74) *Attorney, Agent, or Firm* — Nirav D. Parikh; Edgar
A. Zarins

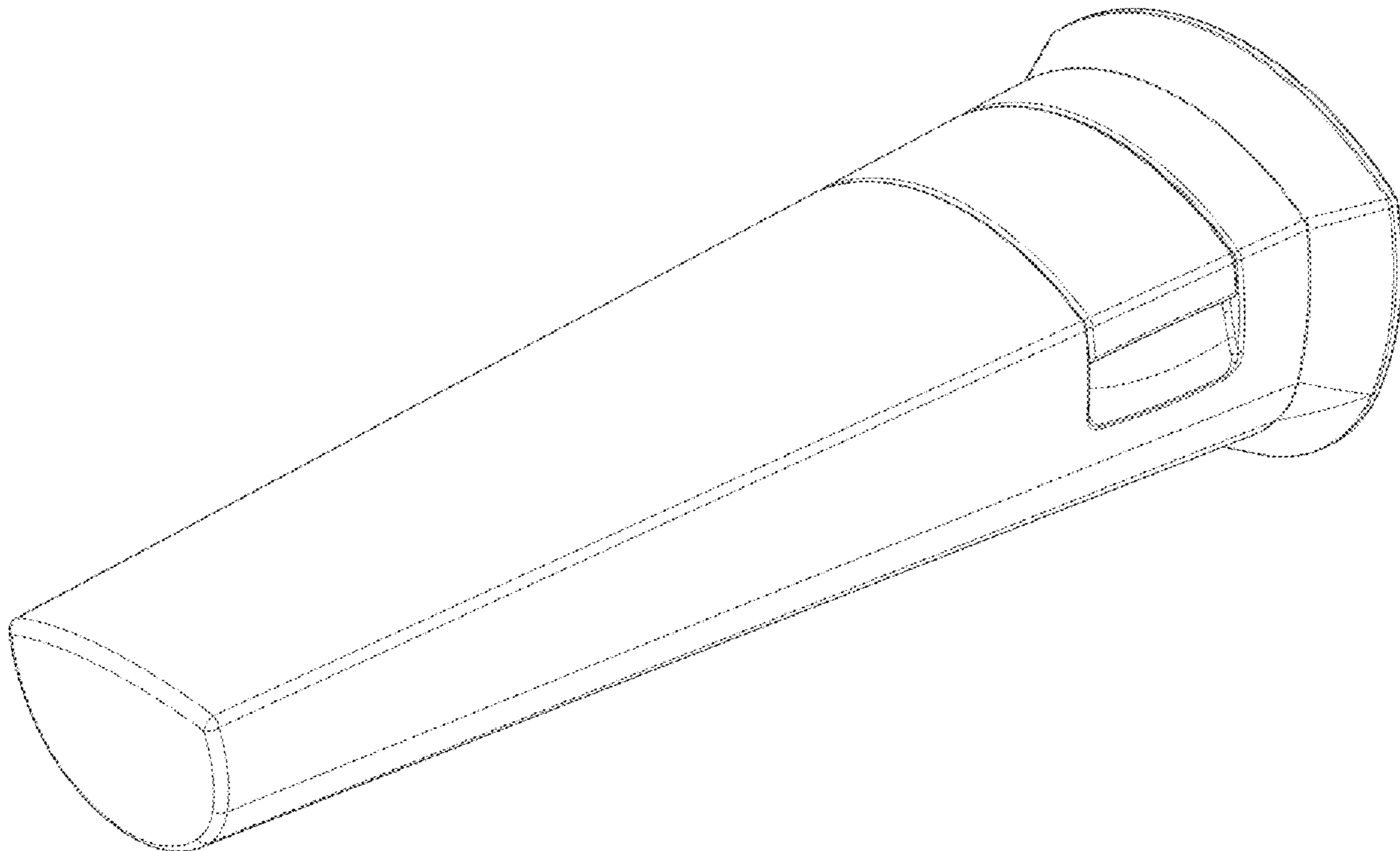
(57) **CLAIM**

The ornamental design for a tub spout, as shown and
described.

DESCRIPTION

FIG. 1 is a front perspective view of a tub spout showing my
new design;
FIG. 2 is a rear perspective view thereof;
FIG. 3 is a front elevational view thereof;
FIG. 4 is a left side view thereof;
FIG. 5 is a rear view thereof;
FIG. 6 is a right side view thereof;
FIG. 7 is a top plan view thereof; and,
FIG. 8 is a bottom view thereof.

1 Claim, 4 Drawing Sheets



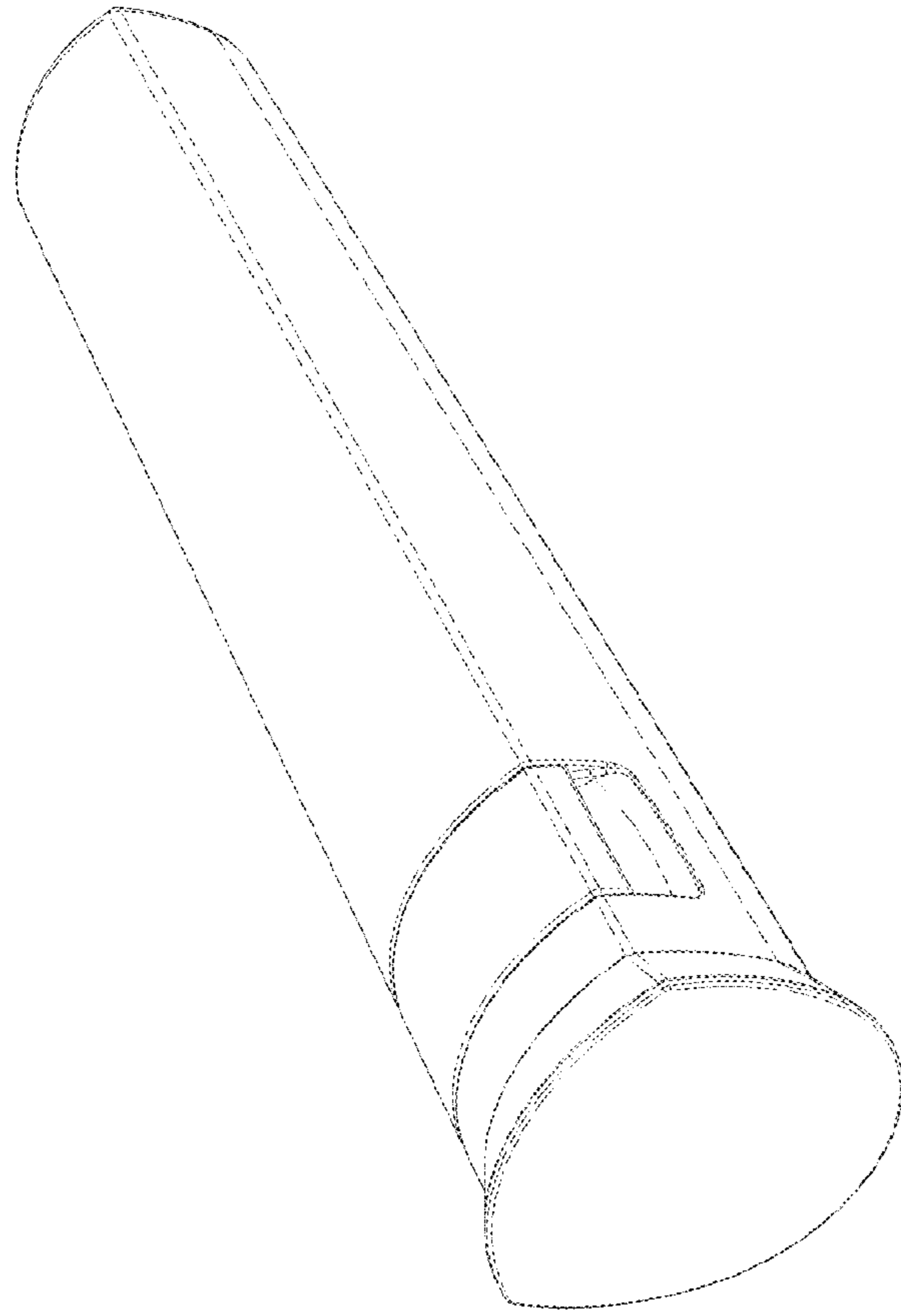


FIG - 2

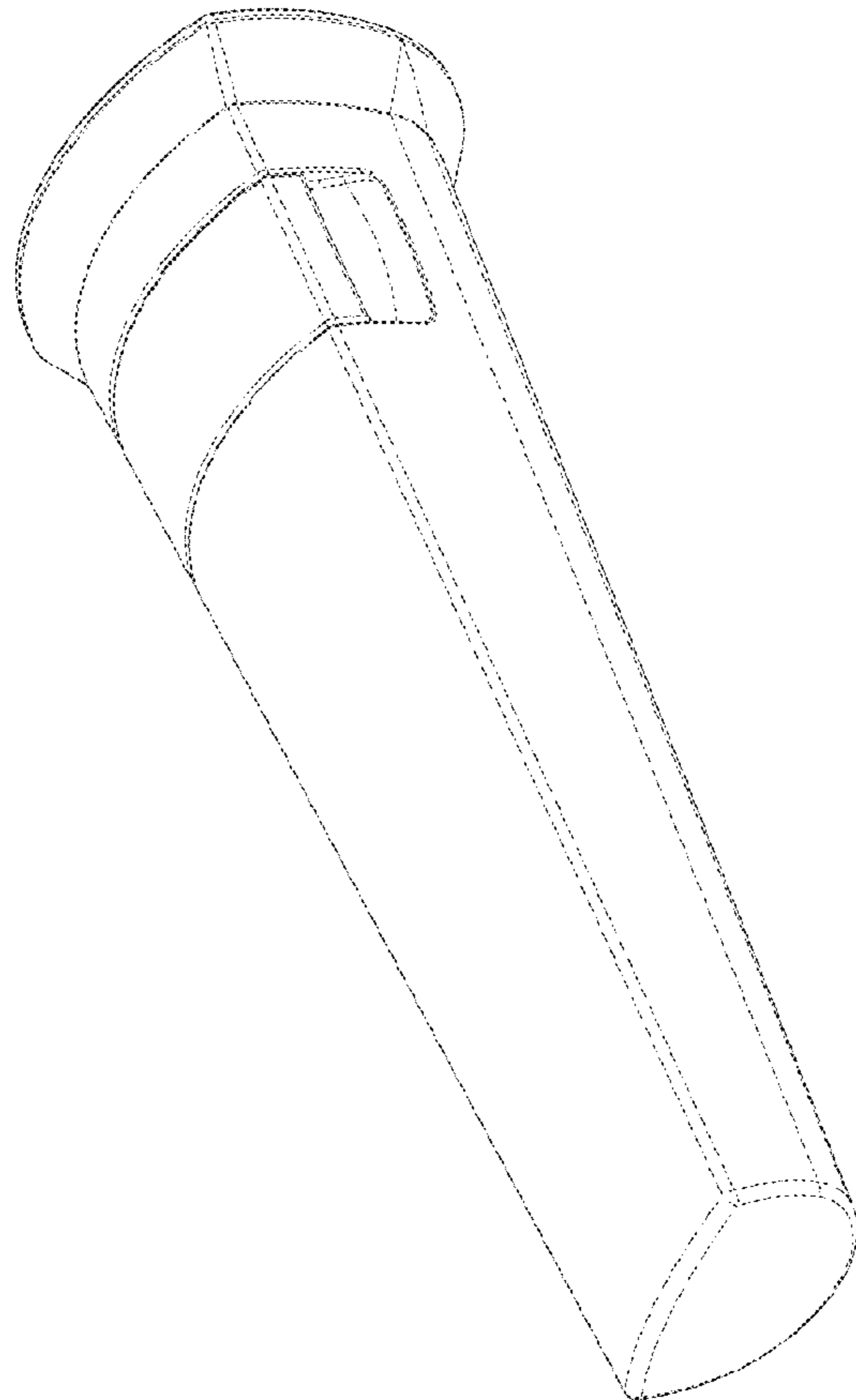


FIG - 1

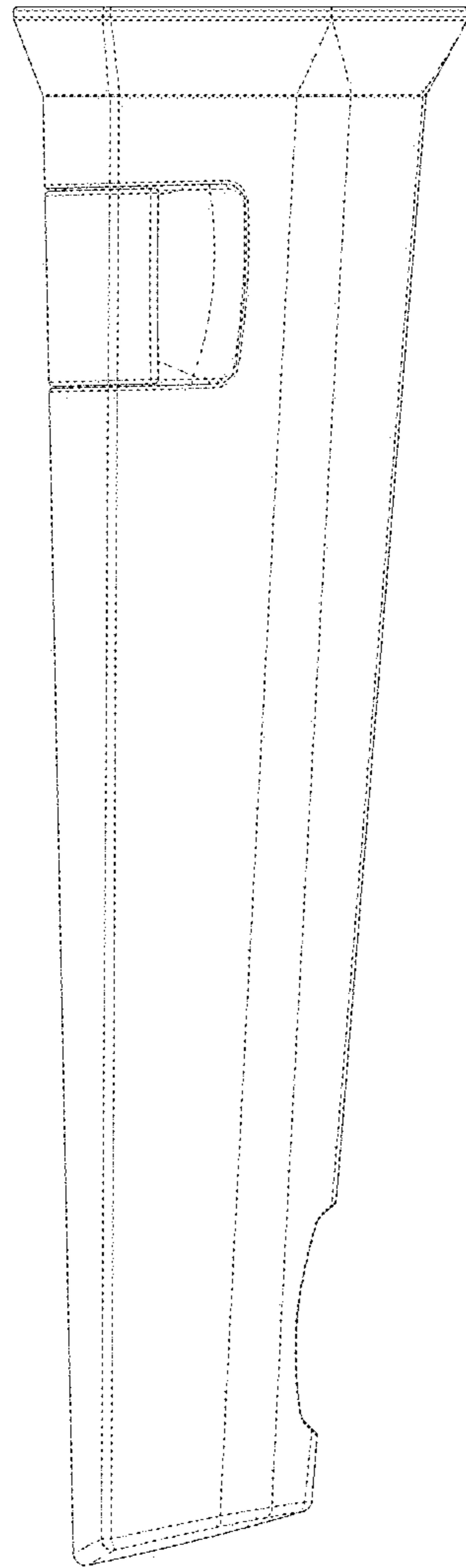


FIG - 4

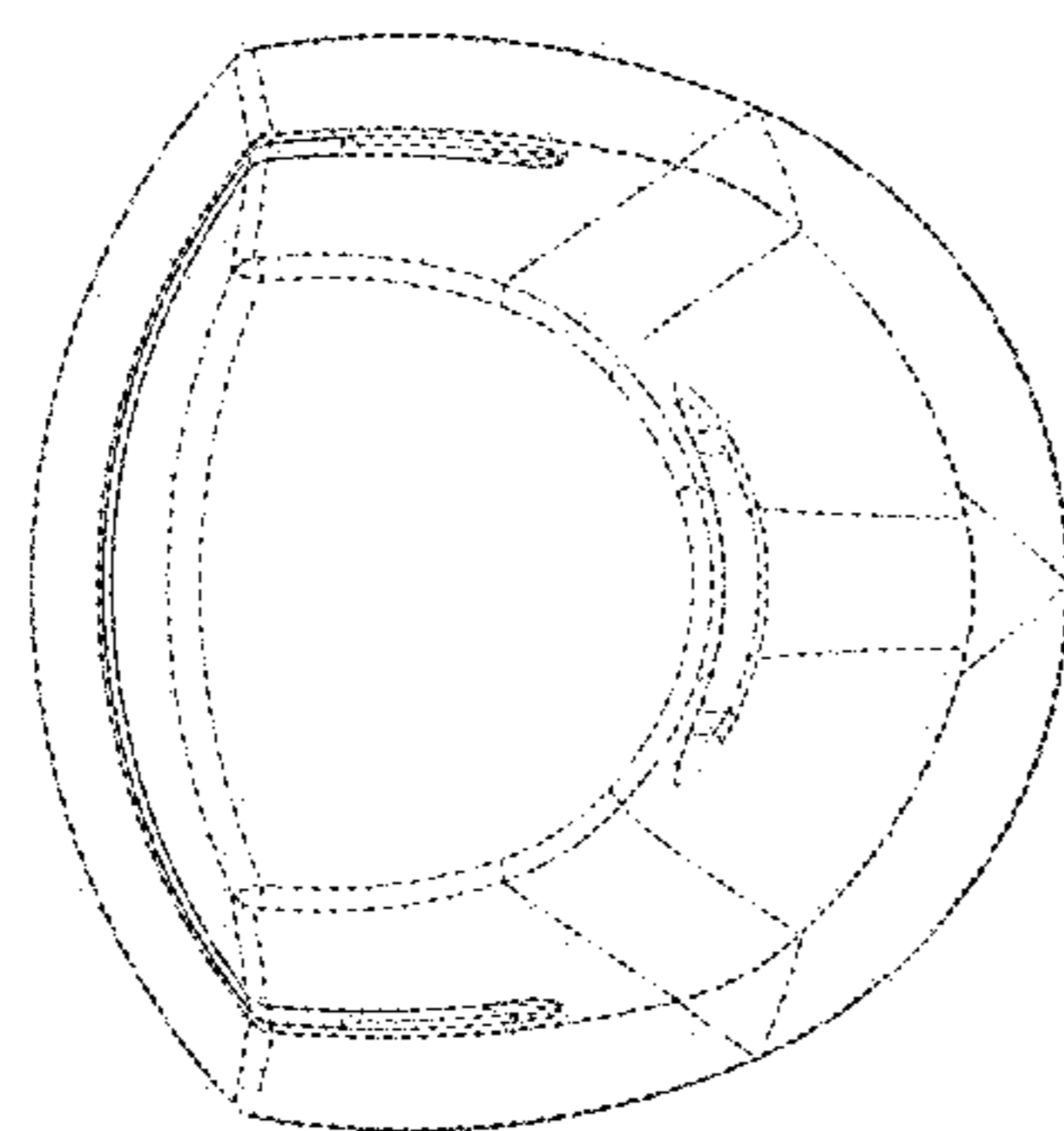


FIG - 3

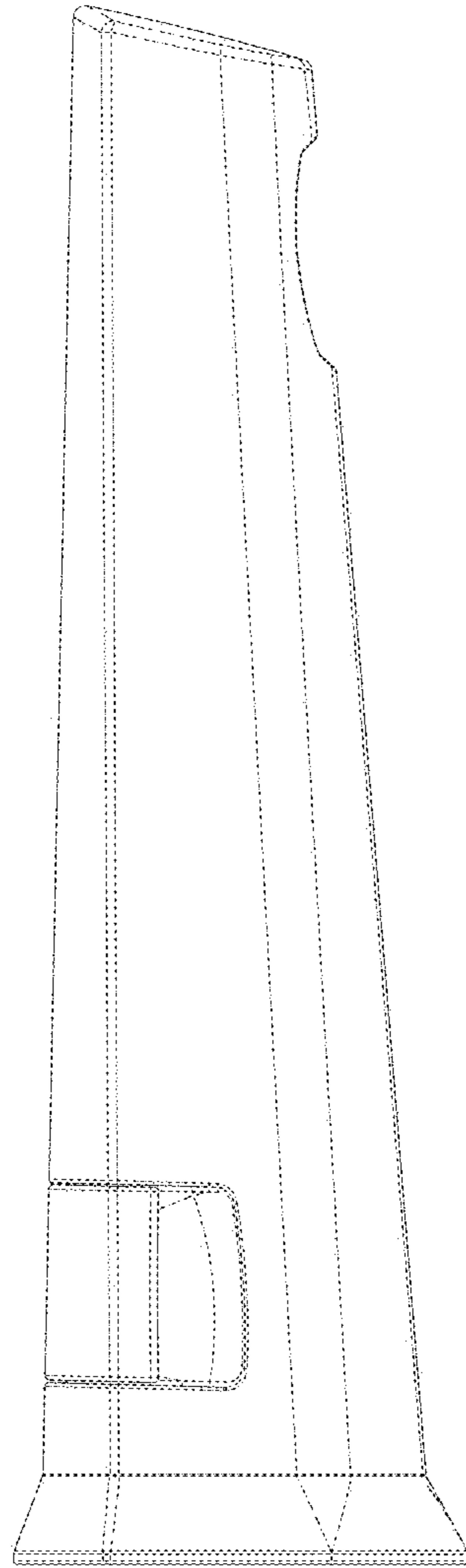


FIG - 6

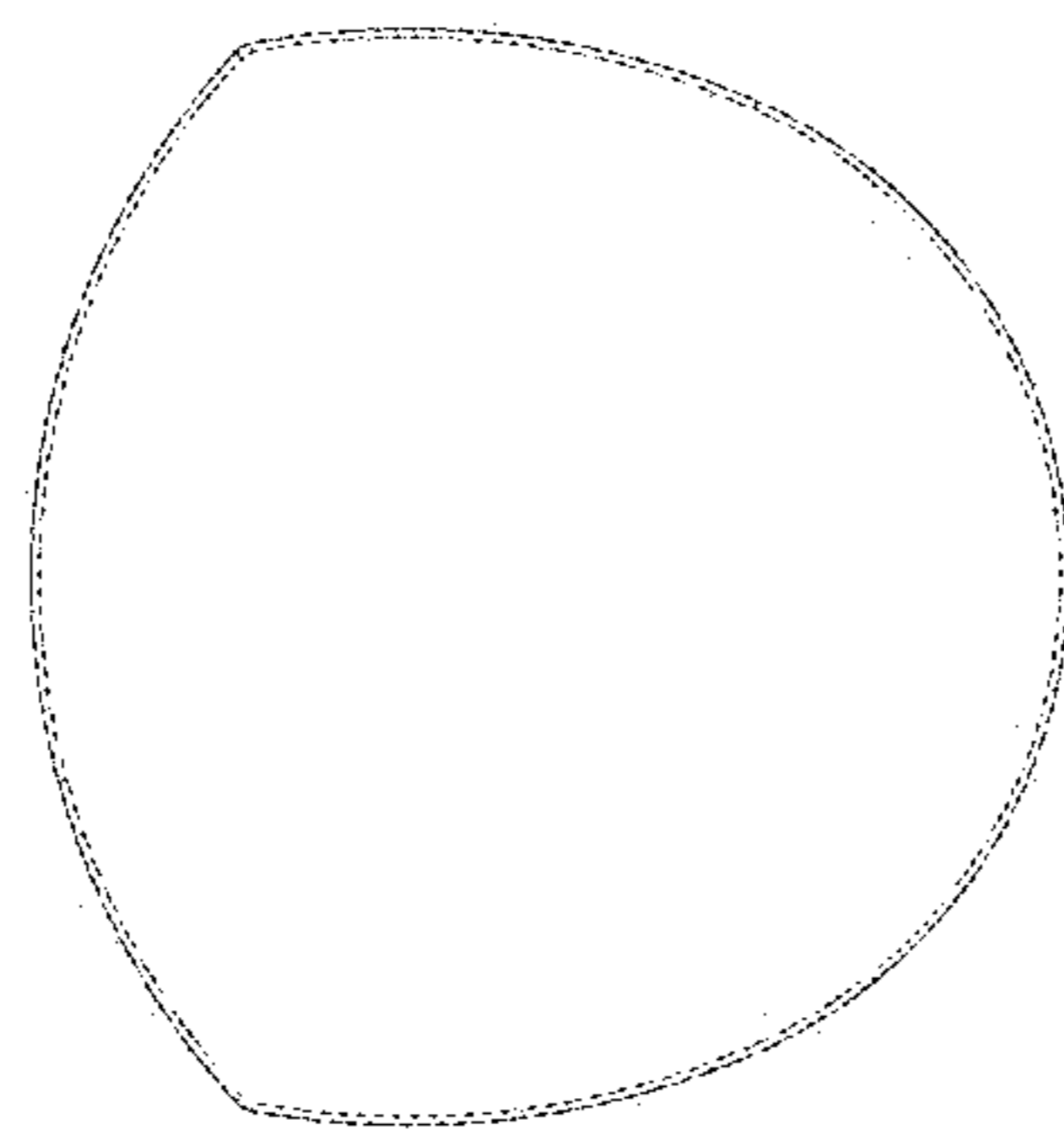


FIG - 5

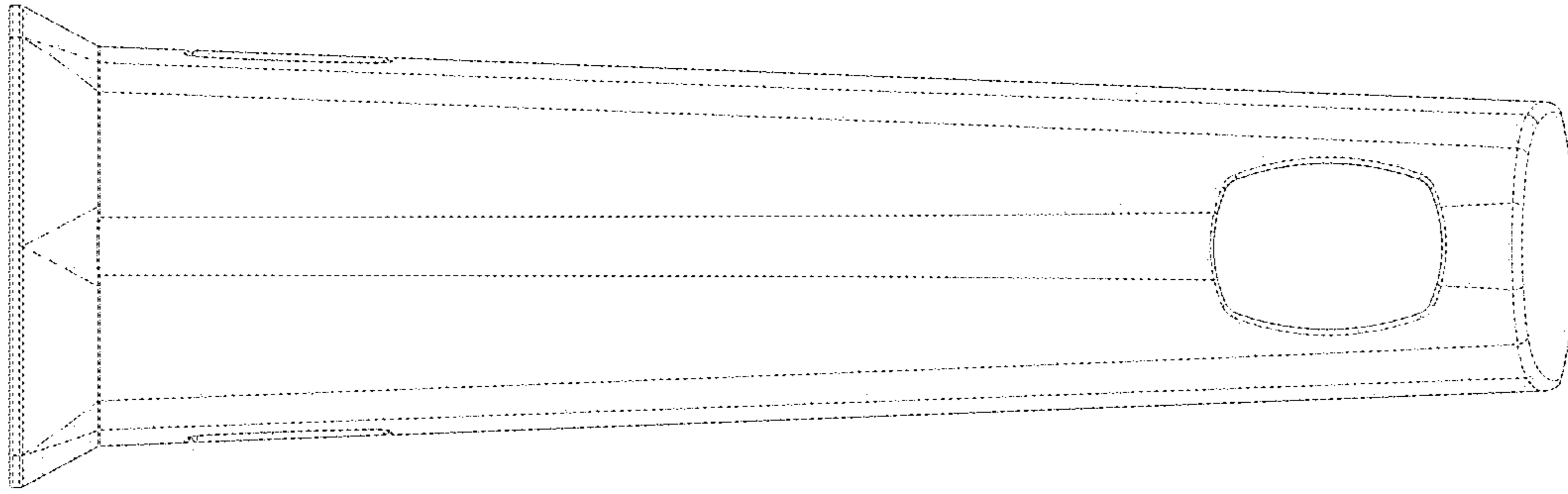


FIG - 8

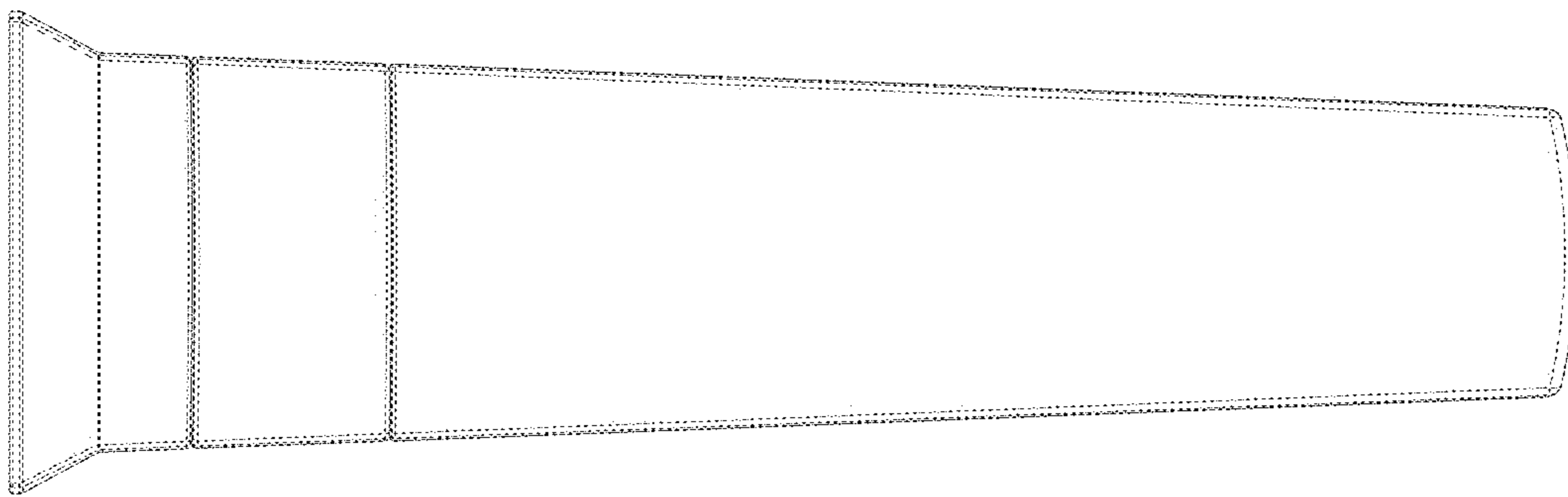


FIG - 7