



US00D933167S

(12) **United States Design Patent**
Upadhyaya

(10) **Patent No.:** **US D933,167 S**

(45) **Date of Patent:** **** Oct. 12, 2021**

(54) **FAUCET HANDLE**

(71) Applicant: **DELTA FAUCET COMPANY,**
Indianapolis, IN (US)

(72) Inventor: **Alexandra Upadhyaya,** Midlothian, VA
(US)

(73) Assignee: **DELTA FAUCET COMPANY,**
Indianapolis, IN (US)

(**) Term: **15 Years**

(21) Appl. No.: **29/718,682**

(22) Filed: **Dec. 27, 2019**

(51) **LOC (13) Cl.** **23-01**

(52) **U.S. Cl.**
USPC **D23/242**

(58) **Field of Classification Search**
USPC D23/238-244, 252, 254-255, 257;
D8/300, 307-308
CPC F16K 31/602; F16K 31/605; F16K 31/607;
E03C 1/02; E03C 1/04
See application file for complete search history.

(56) **References Cited**

U.S. PATENT DOCUMENTS

D532,085 S * 11/2006 Svendsen D23/241
D578,616 S * 10/2008 Fritz D23/252
D634,815 S * 3/2011 Barry D23/252

D878,523 S * 3/2020 Lazarini D23/252
D890,885 S * 7/2020 Tsai D23/252
D918,345 S * 5/2021 Stoler D23/252
D921,846 S * 6/2021 Lazarini D23/252

FOREIGN PATENT DOCUMENTS

CA 190265 * 10/2019
CN 306119680 * 6/2020

* cited by examiner

Primary Examiner — Barbara Fox

Assistant Examiner — Jamaal Rasheed

(74) *Attorney, Agent, or Firm* — Nirav D. Parikh; Edgar
A. Zarins

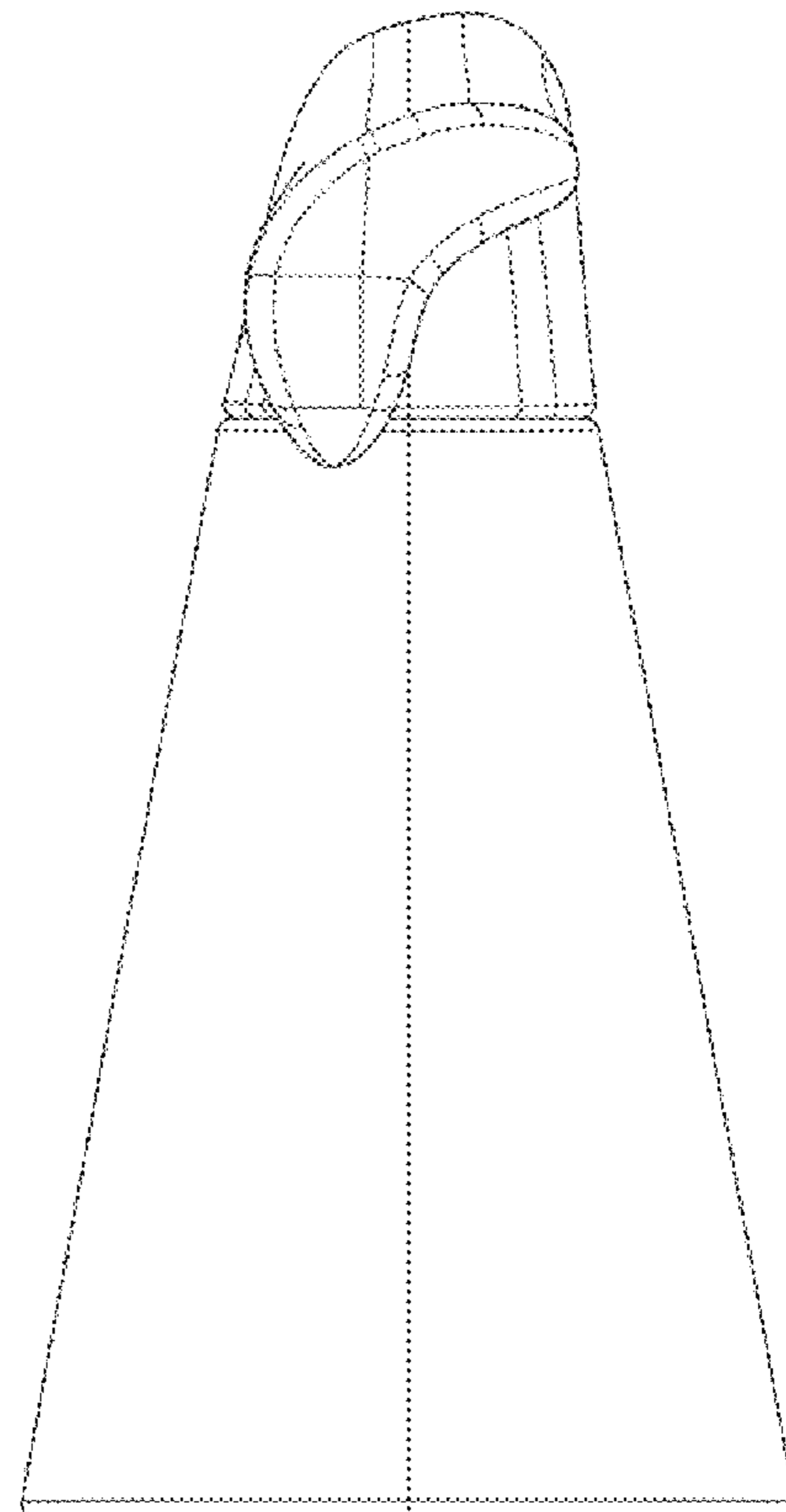
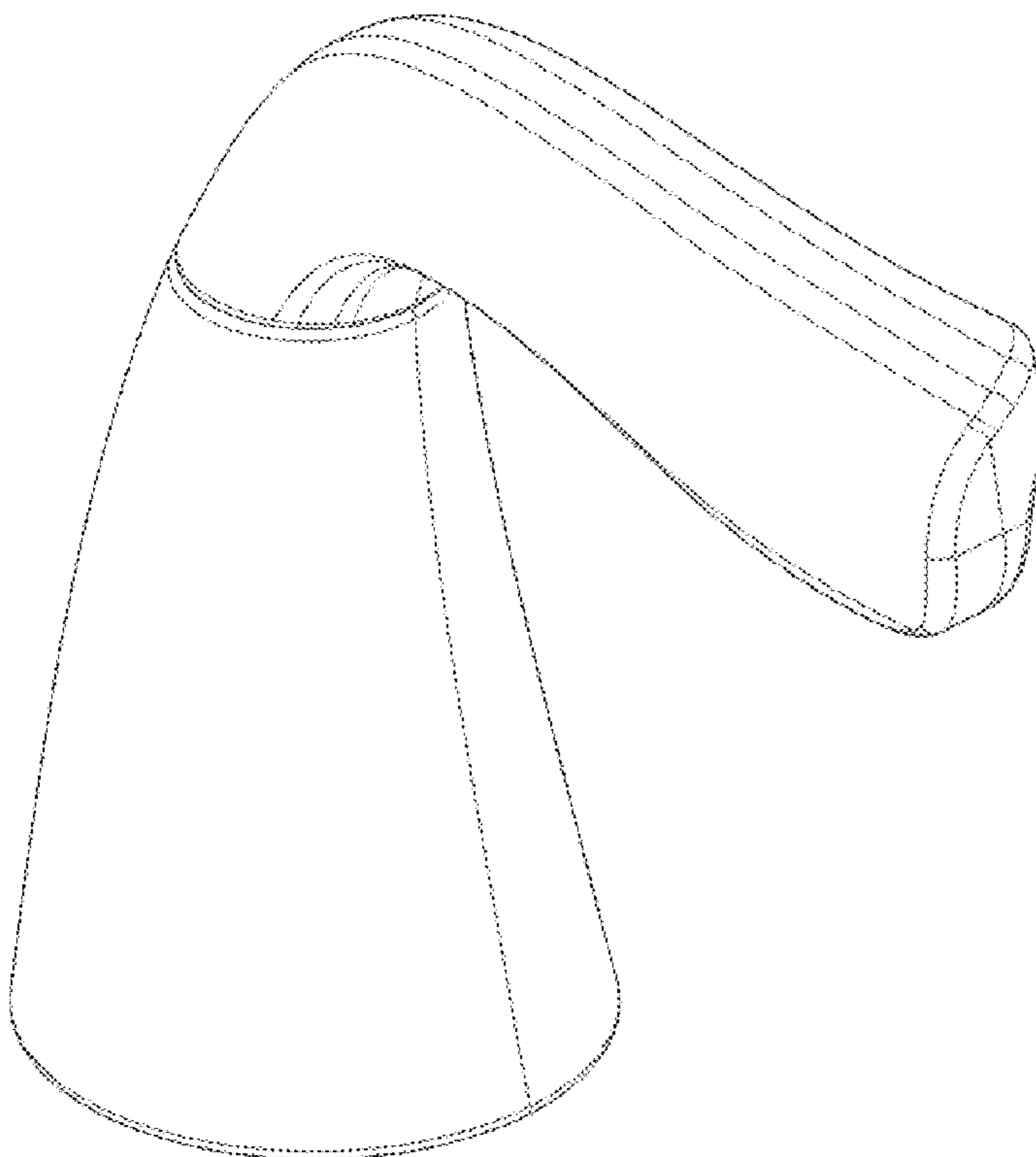
(57) **CLAIM**

The ornamental design for a faucet handle, as shown and described.

DESCRIPTION

FIG. 1 is a front perspective view of a faucet handle showing my new design;
FIG. 2 is a rear perspective view thereof;
FIG. 3 is a front elevational view thereof;
FIG. 4 is a left side view thereof;
FIG. 5 is a rear view thereof;
FIG. 6 is a right side view thereof;
FIG. 7 is a top plan view thereof; and,
FIG. 8 is a bottom view thereof.

1 Claim, 4 Drawing Sheets



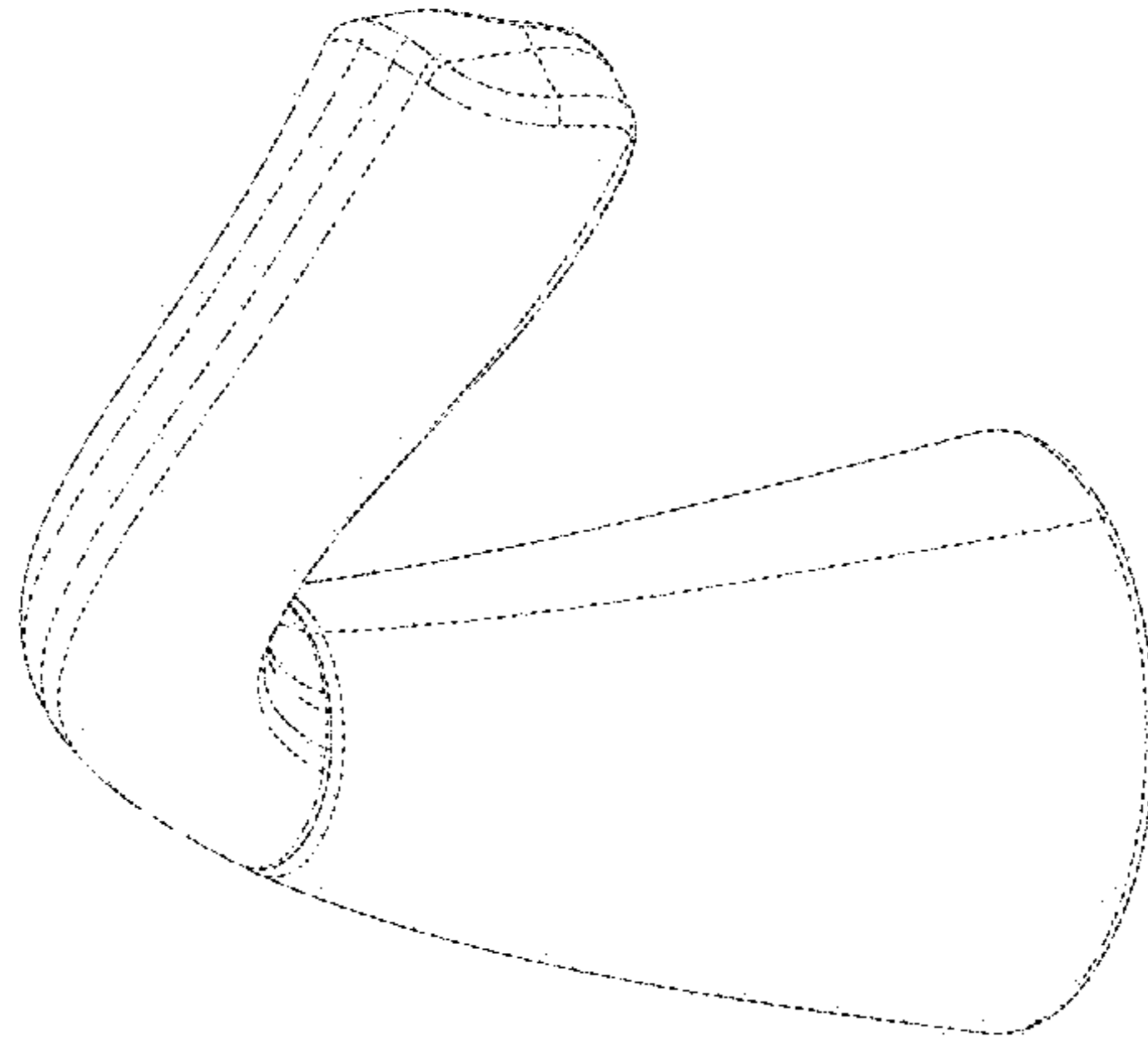


FIG - 2

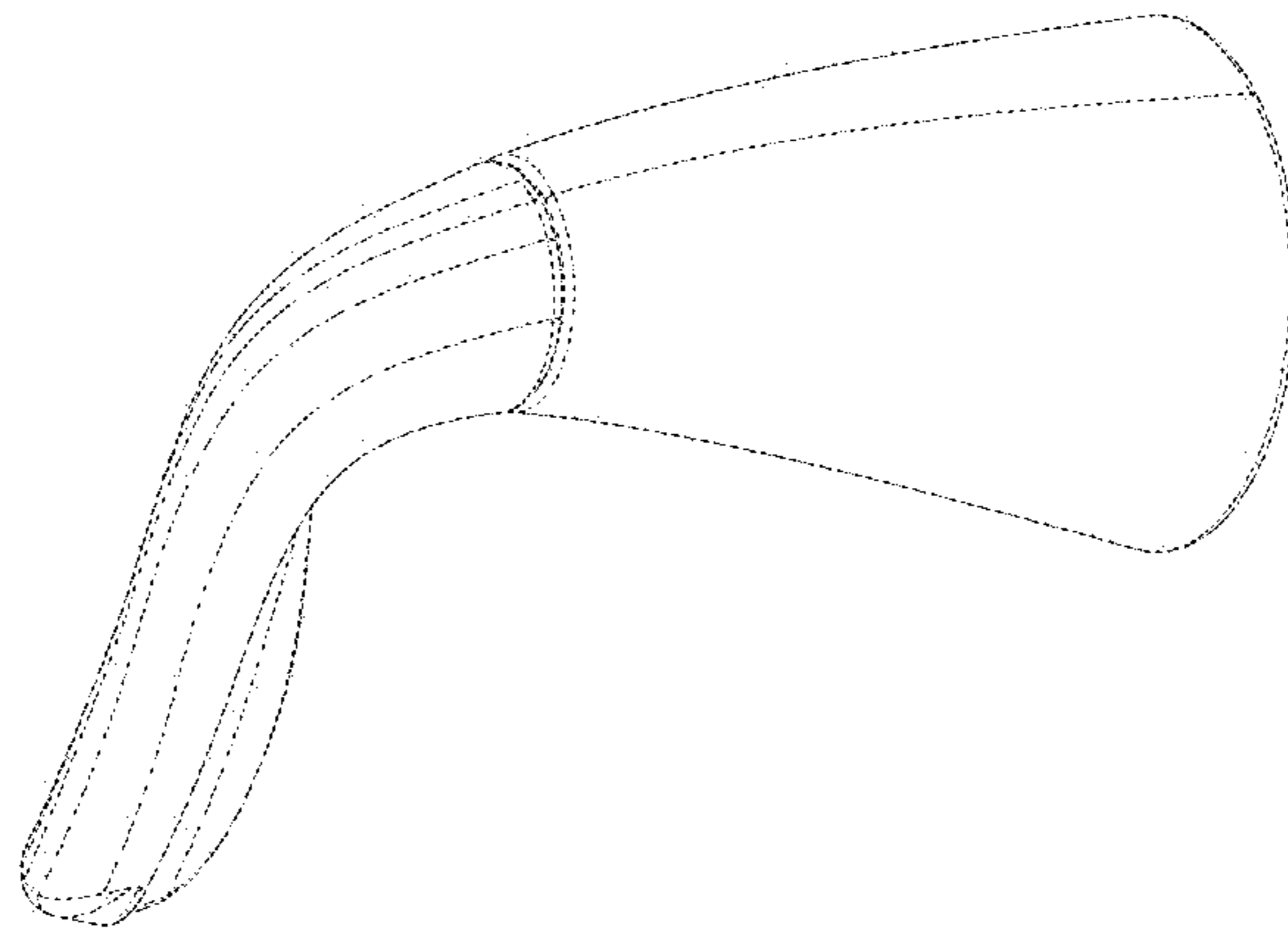


FIG - 1

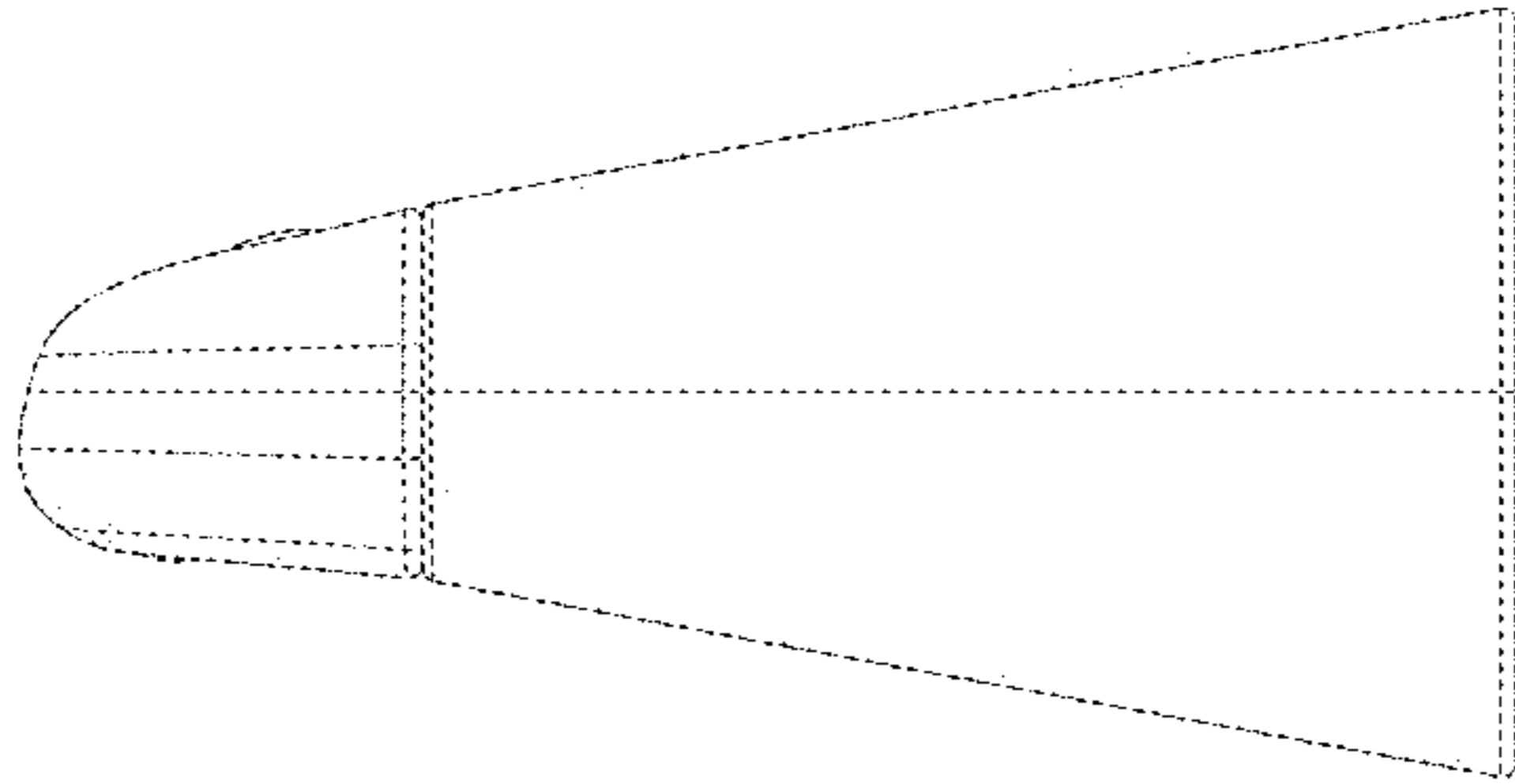


FIG - 4

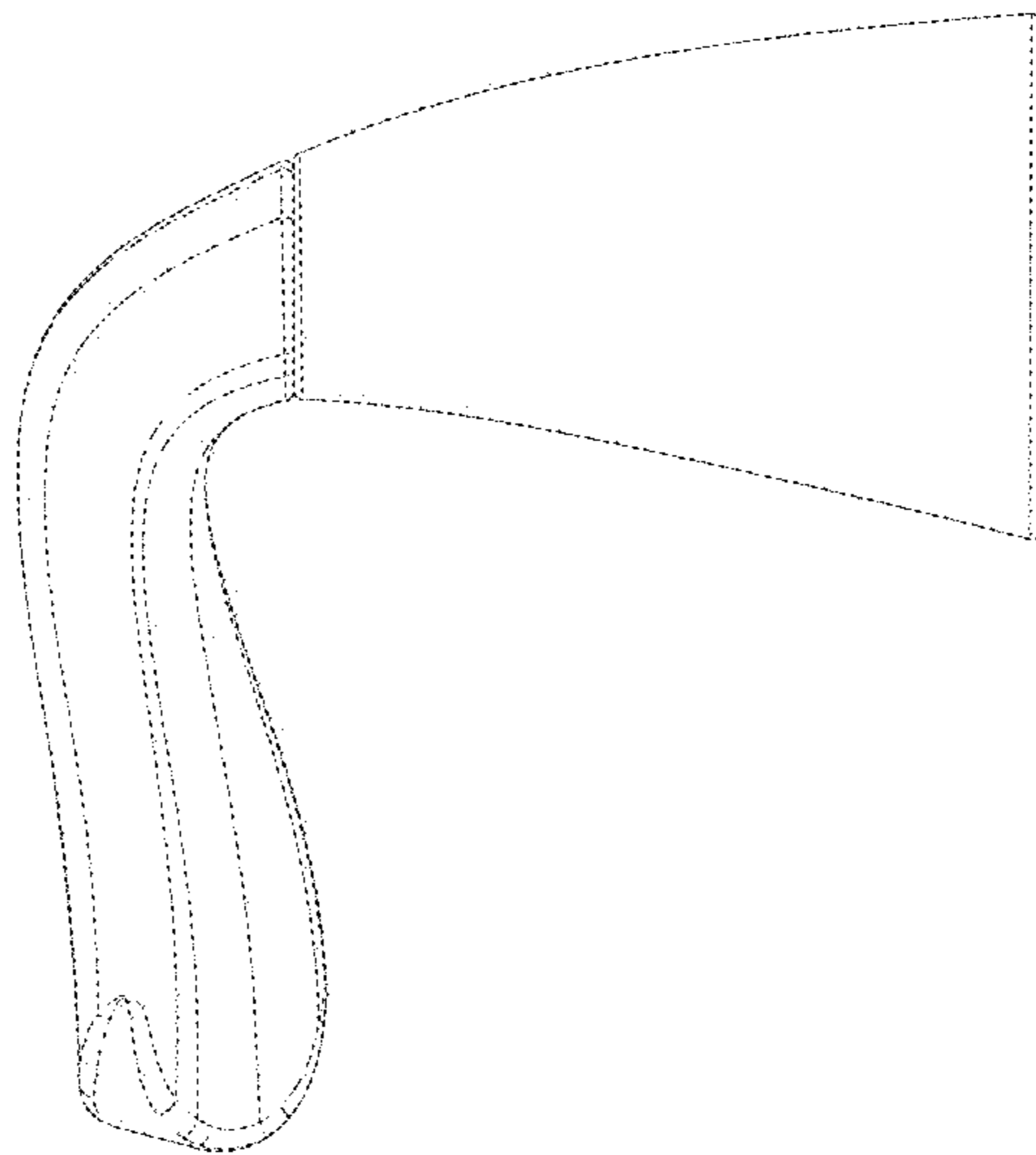


FIG - 3

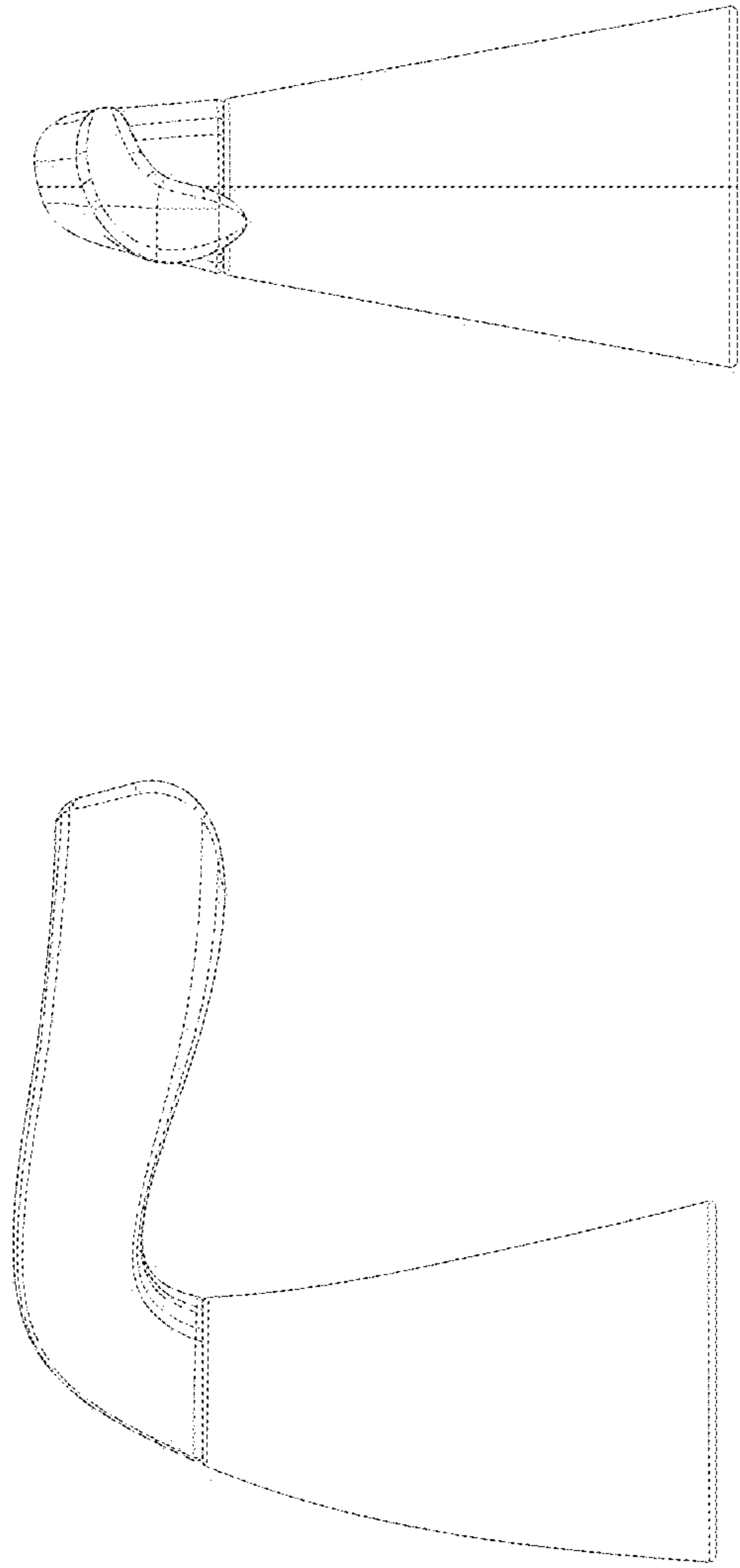


FIG - 6

FIG - 5

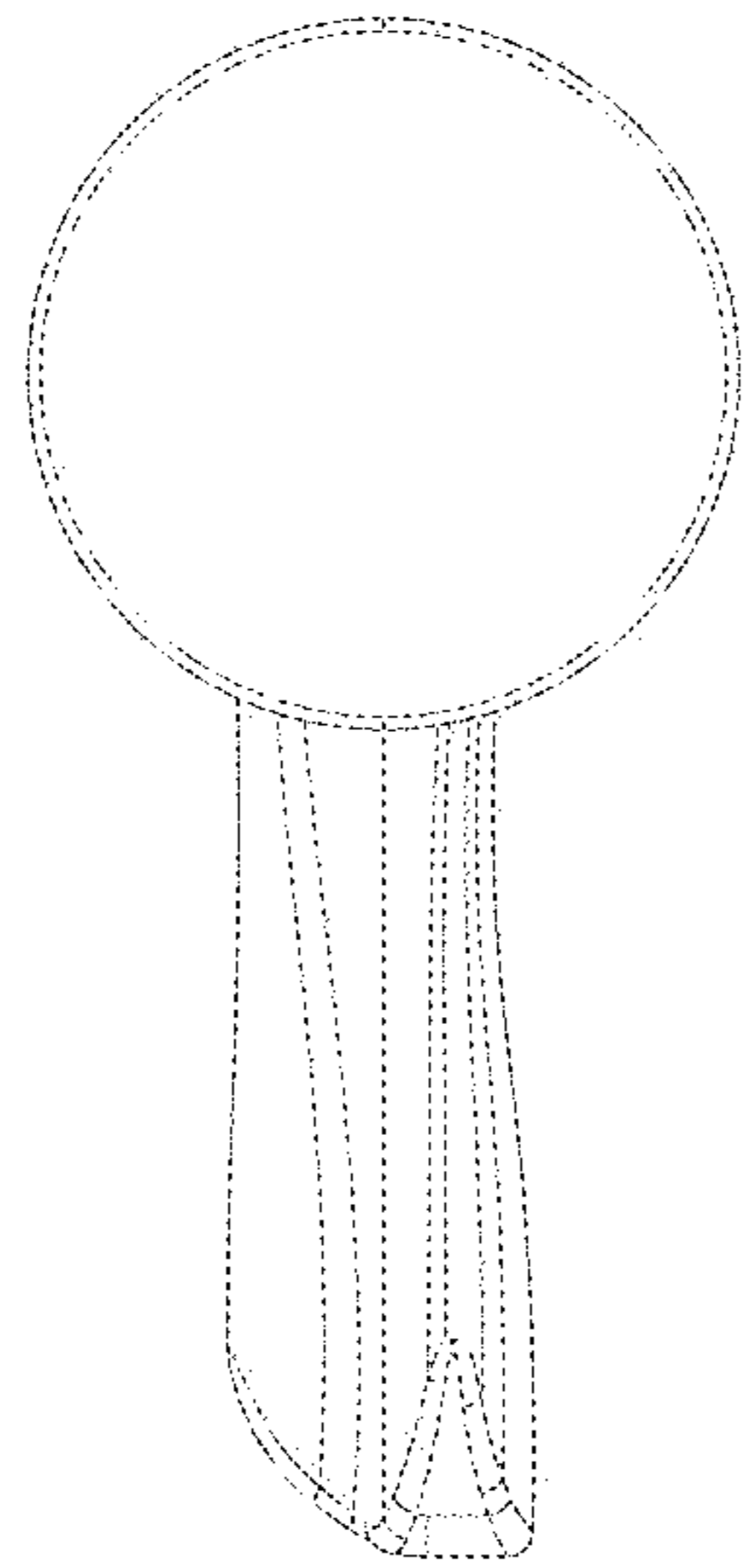


FIG - 8

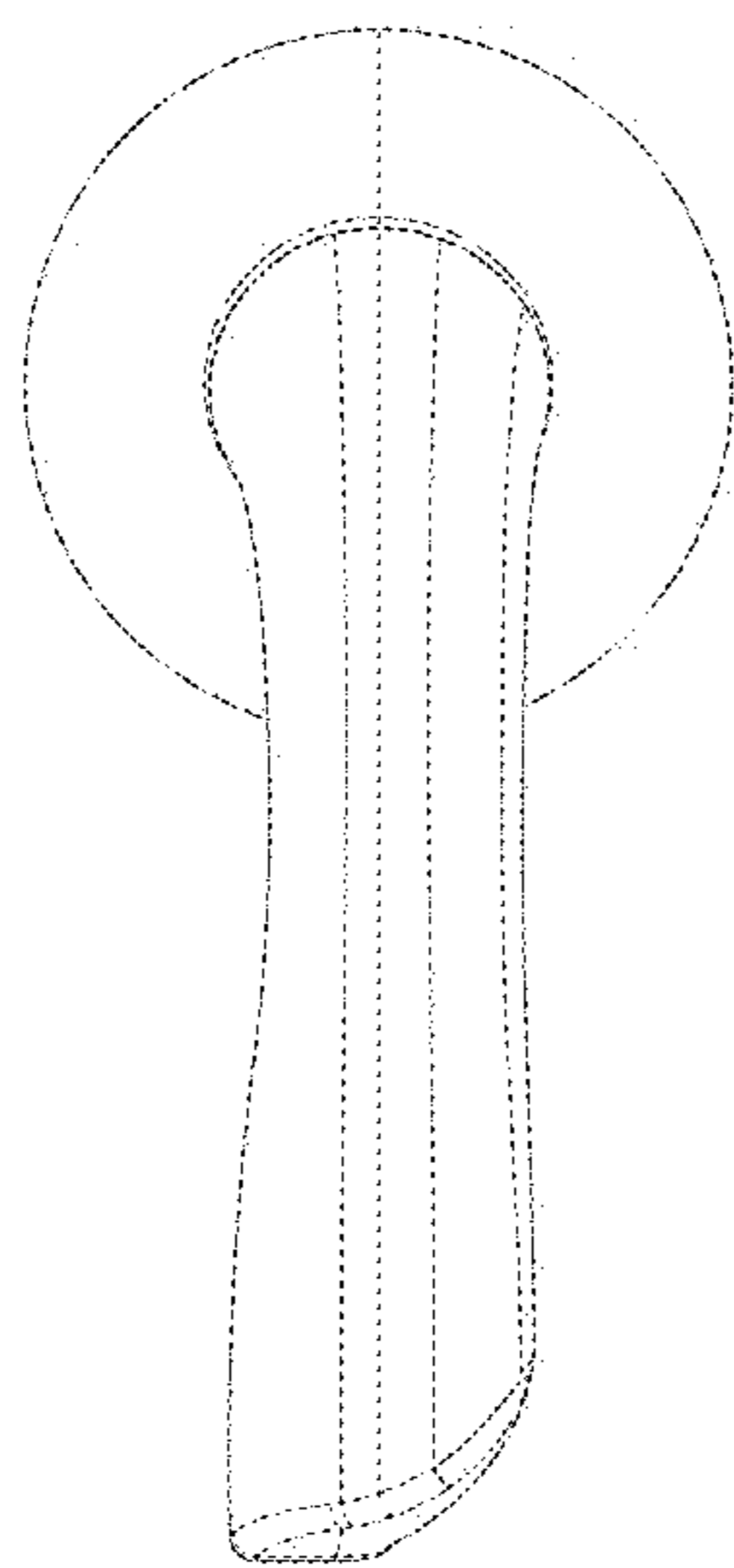


FIG - 7