



US00D933165S

(12) **United States Design Patent** (10) **Patent No.:** **US D933,165 S**
Elser (45) **Date of Patent:** **** Oct. 12, 2021**

(54) **FAUCET**
(71) Applicant: **DELTA FAUCET COMPANY,**
Indianapolis, IN (US)
(72) Inventor: **Simon Elser,** Indianapolis, IN (US)
(73) Assignee: **DELTA FAUCET COMPANY,**
Indianapolis, IN (US)
(**) Term: **15 Years**
(21) Appl. No.: **29/707,614**
(22) Filed: **Sep. 30, 2019**
(51) **LOC (13) Cl.** **23-01**
(52) **U.S. Cl.**
USPC **D23/242**
(58) **Field of Classification Search**
USPC D23/237, 238, 240-243, 249, 254, 255,
D23/257; D6/524
CPC E03C 1/0401; E03C 1/04; E03C 1/0402;
E03C 1/0404; Y10T 137/9464
See application file for complete search history.

D879,252 S * 3/2020 Yu D23/242
D891,585 S * 7/2020 Spangler D23/242
2013/0213509 A1 * 8/2013 Thomas F16K 19/006
137/801

OTHER PUBLICATIONS

Spring Centerset Two-handle Bathroom Faucet [Dec. 17, 2020] found online [Dec. 17, 2020]— https://www.amazon.com/Faucets-18412CV3-Centerset-Brushed-Koozzo/dp/B07MY1M2GW/ref=sr_1_264_sspa?crid=2UMKZFRPSHRRE&dchild=1&keywords=double+handle+bathroom+faucet&qid=1608239077&srefix=DOUBLE+HANDLE+BATHROOM+%2Caps%2C170&sr=8-26.*

* cited by examiner

Primary Examiner — John A Voytek
(74) *Attorney, Agent, or Firm* — Nirav D. Parikh; Edgar A. Zarins

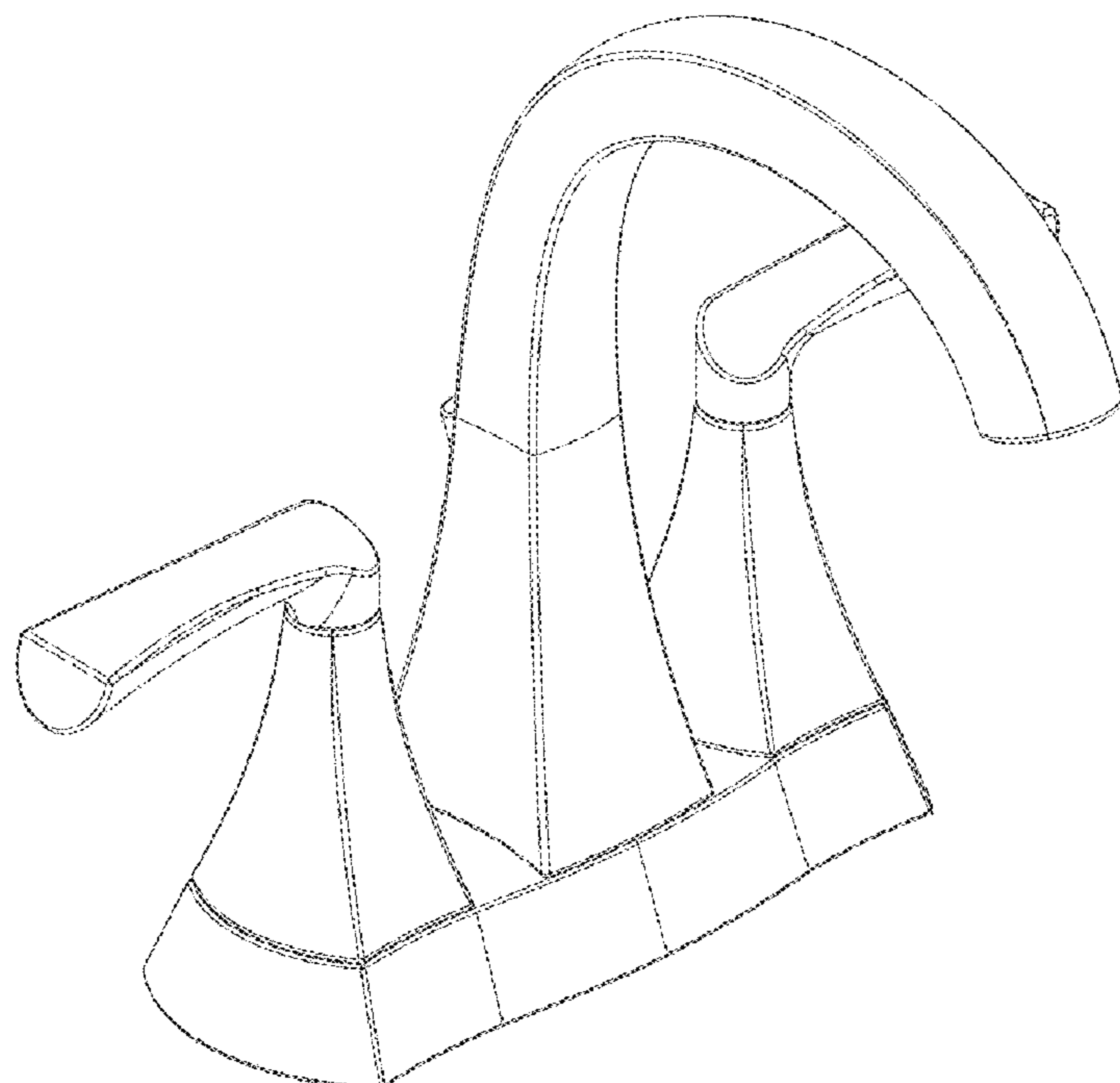
(57) **CLAIM**
The ornamental design for a faucet, as shown and described.

DESCRIPTION

FIG. 1 is a front perspective view of a faucet showing my new design;
FIG. 2 is a rear perspective view thereof;
FIG. 3 is a front elevational view thereof;
FIG. 4 is a left side view thereof;
FIG. 5 is a rear view thereof;
FIG. 6 is a right side view thereof; and,
FIG. 7 is a top plan view thereof.
The broken line showing of the faucet is for the purposes of depicting portions of the article and forms no part of the claimed design.

1 Claim, 4 Drawing Sheets

(56) **References Cited**
U.S. PATENT DOCUMENTS
D520,116 S * 5/2006 Koury D23/241
D577,422 S * 9/2008 Williams D23/241
D612,016 S * 3/2010 Williams D23/242
D640,773 S * 6/2011 Ke D23/255
D667,934 S * 9/2012 Liao D23/242
D713,937 S * 9/2014 Fritz D23/242
D797,893 S * 9/2017 Fritz D23/242
D855,159 S * 7/2019 Eads D23/242
D865,129 S * 10/2019 Zeng D23/242
D873,965 S * 1/2020 Lazarini D23/241



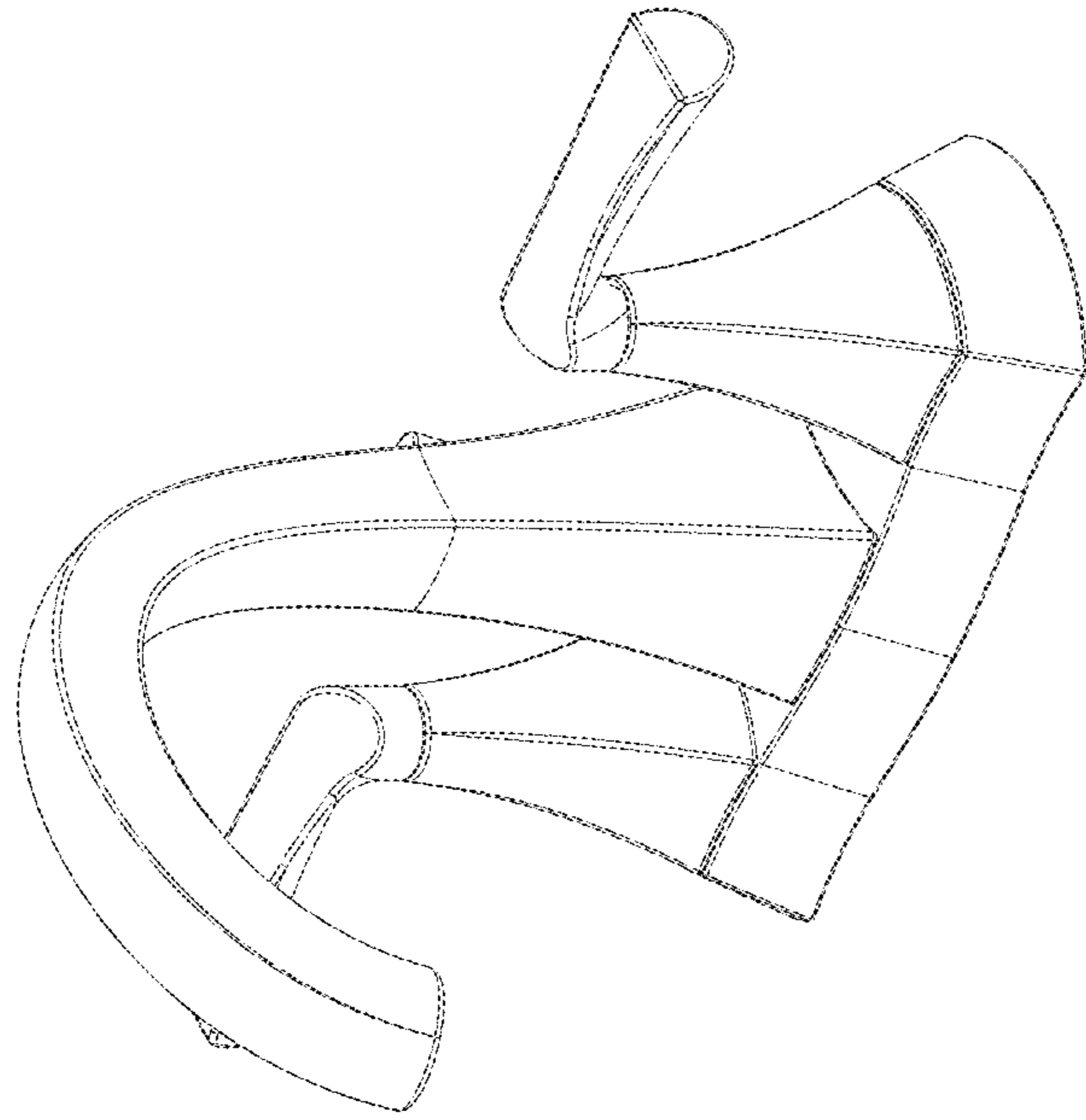


FIG-2

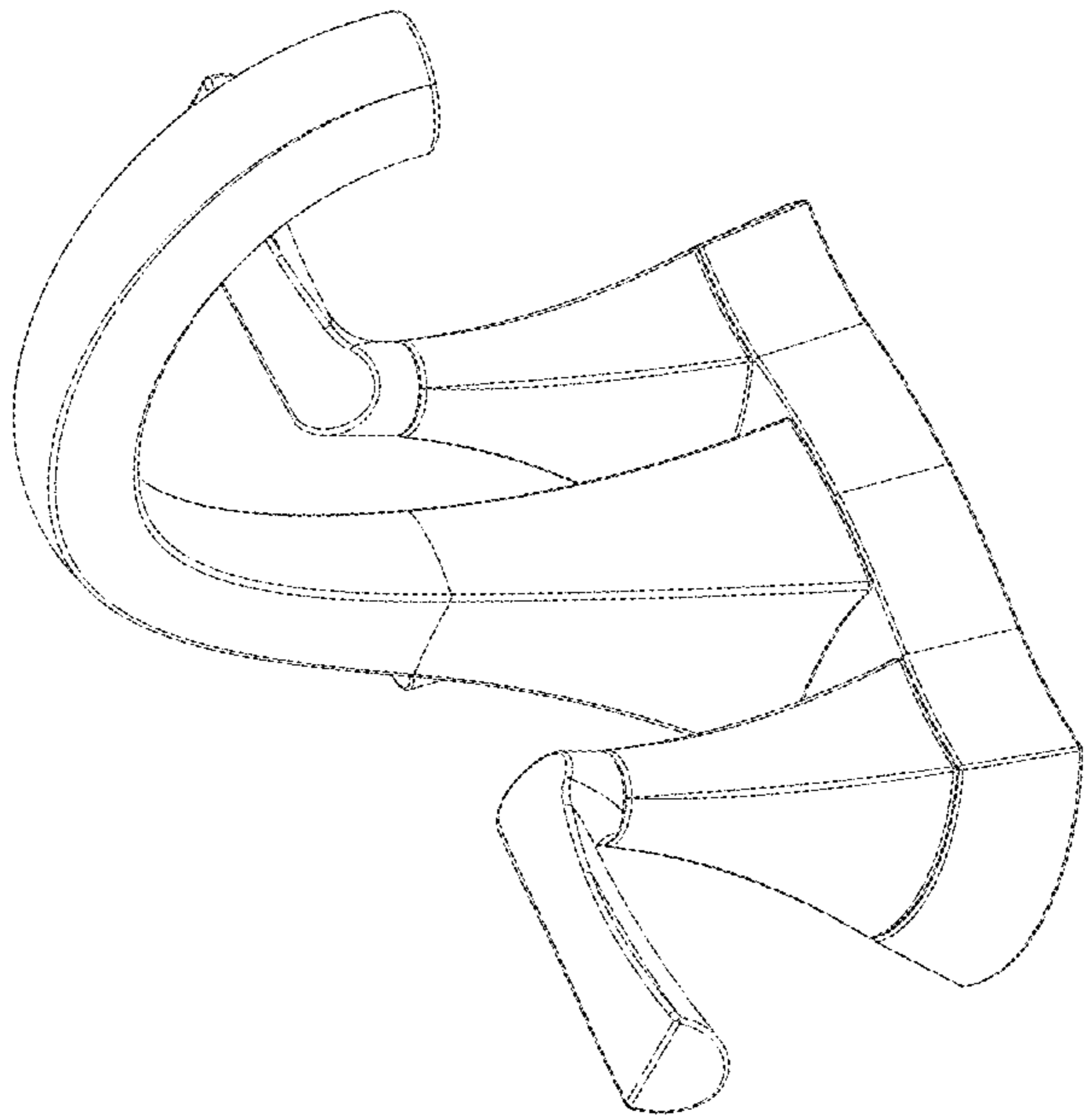


FIG-1

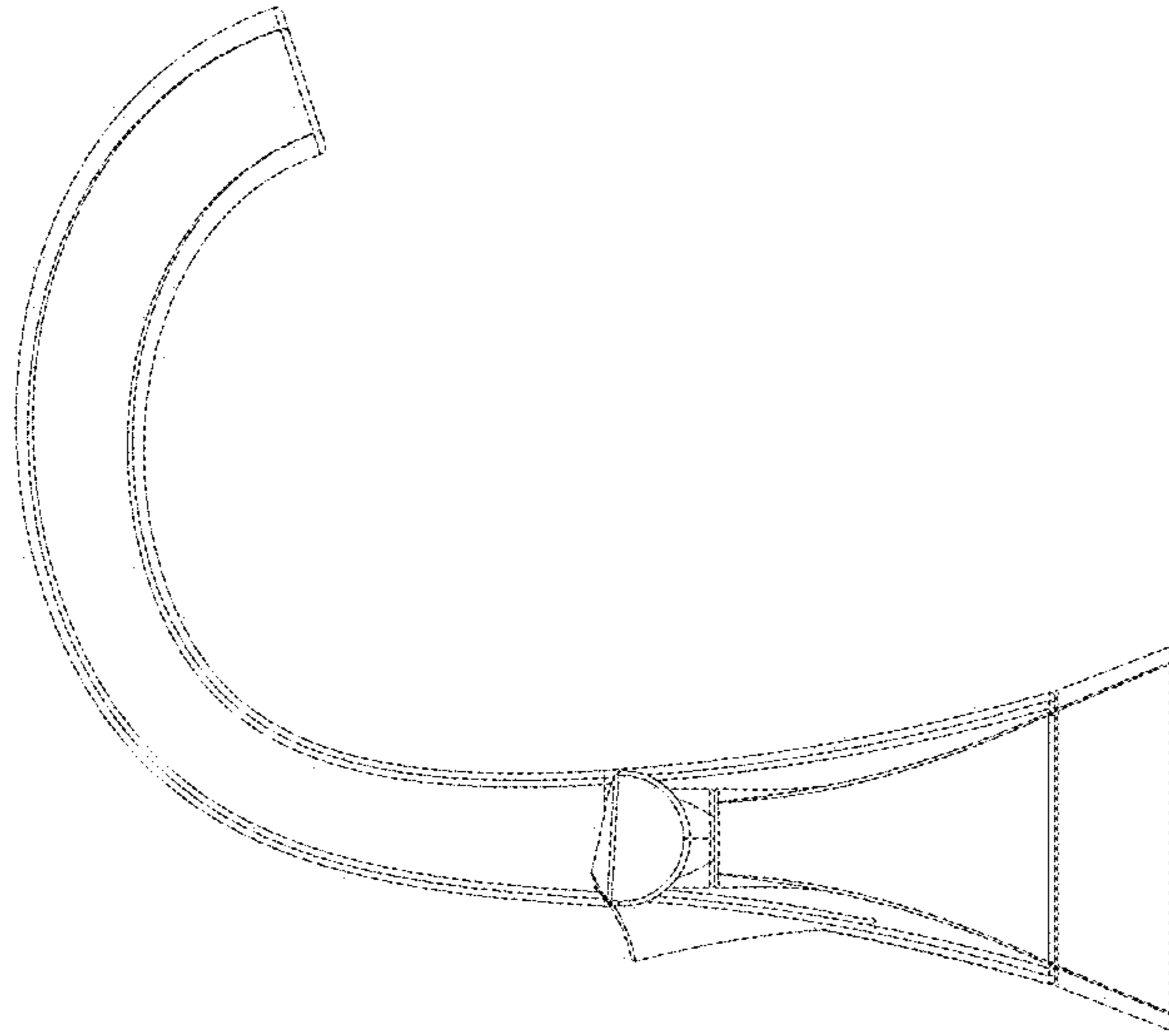


FIG-4

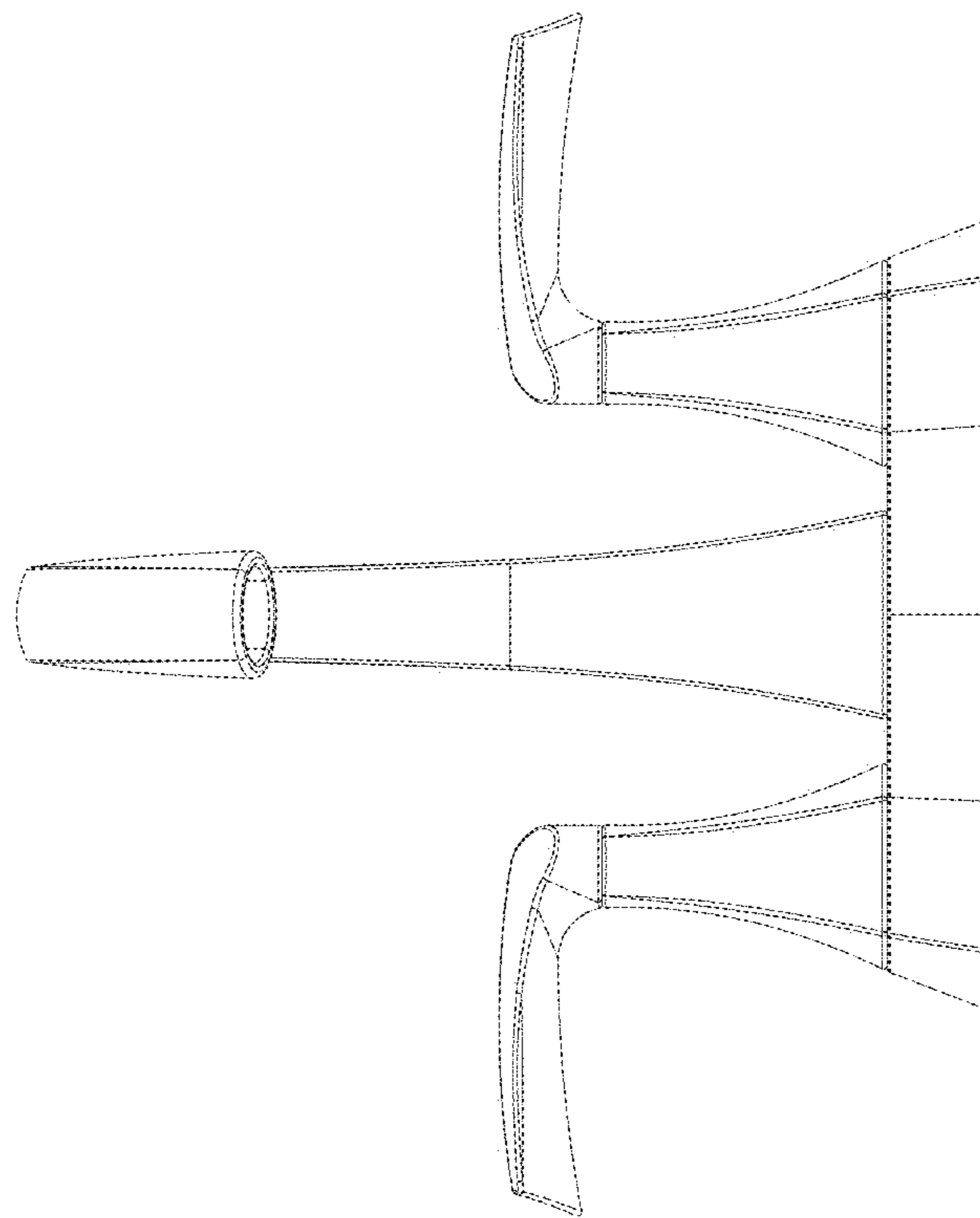


FIG-3

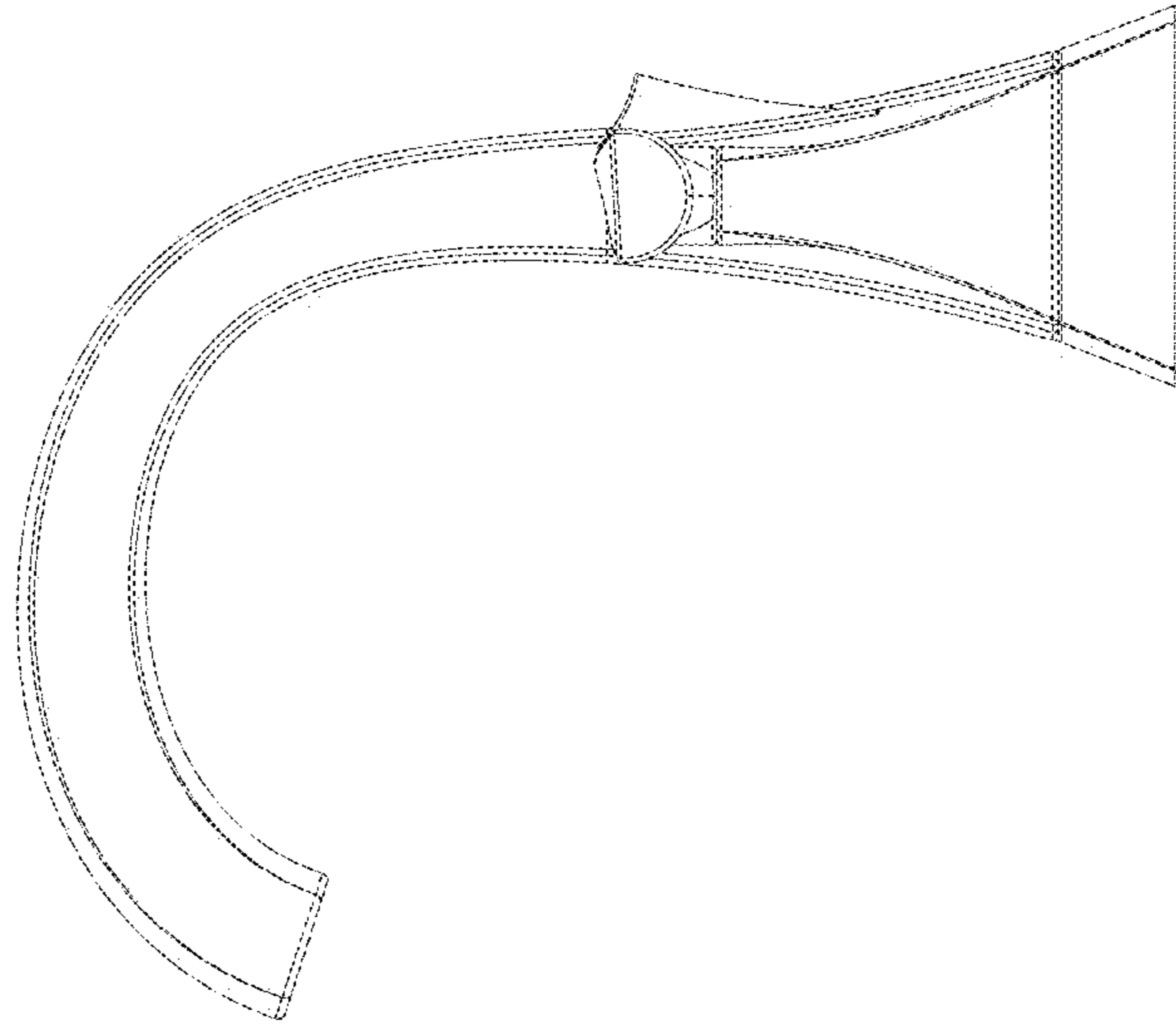


FIG-6

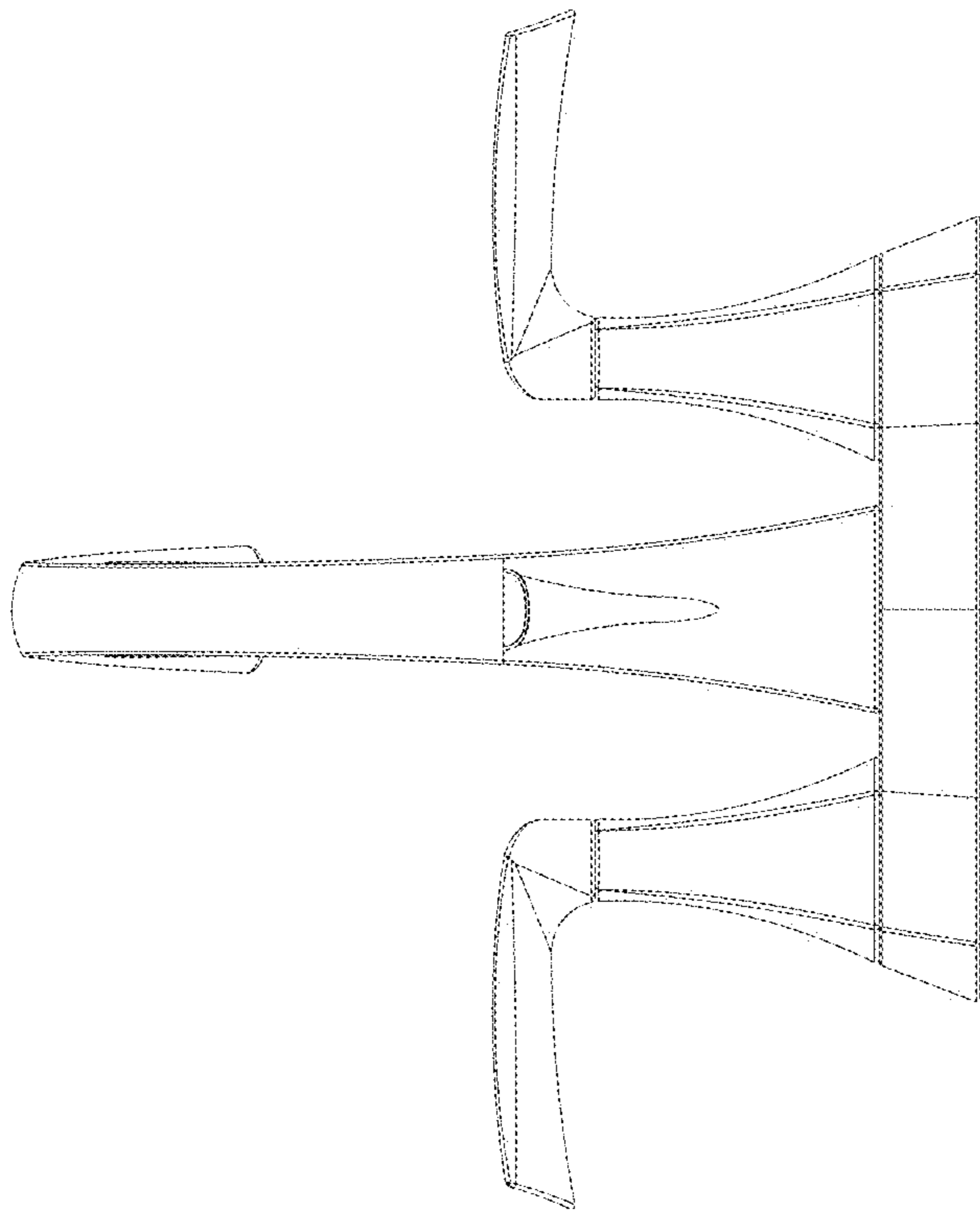


FIG-5

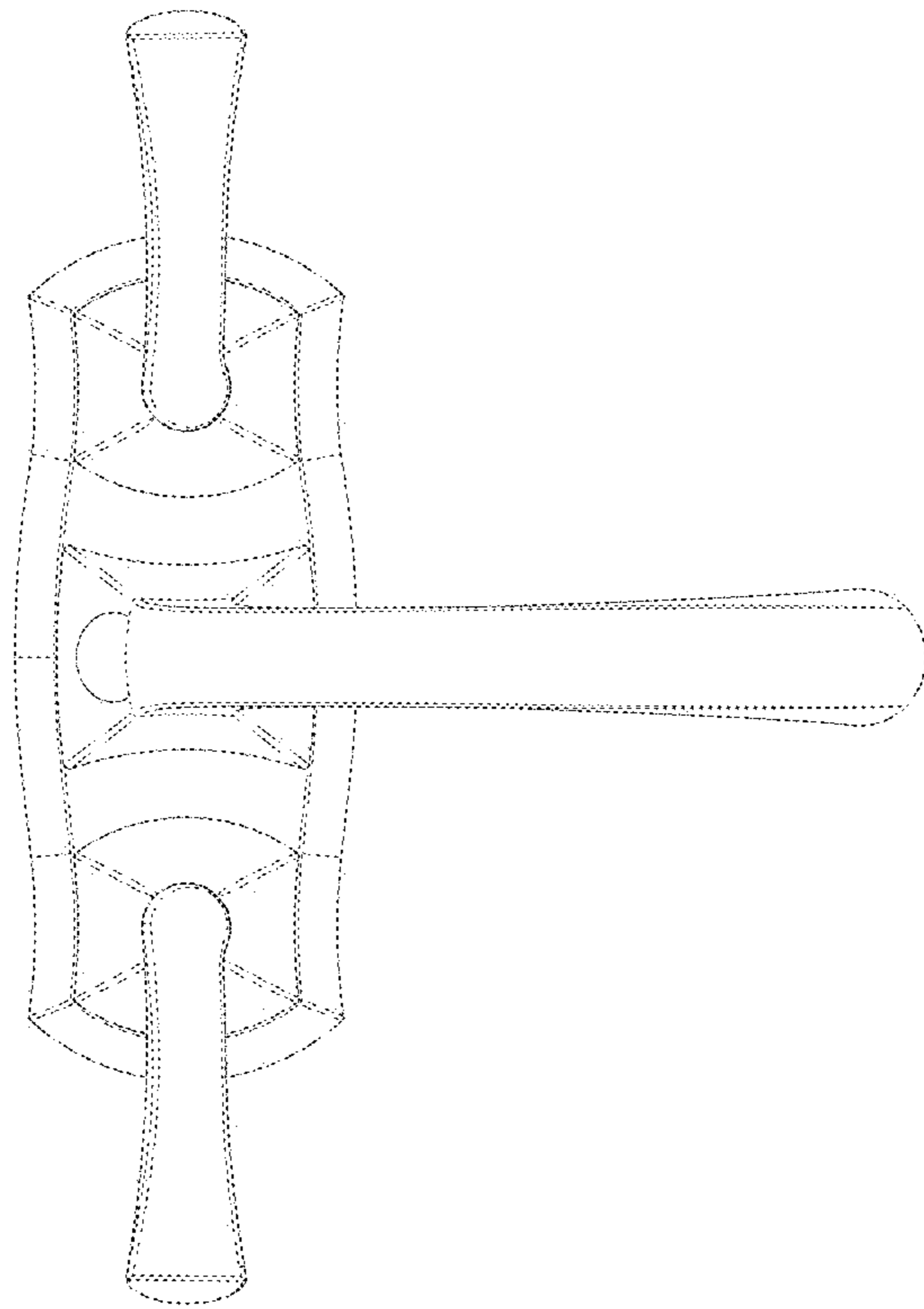


FIG-7