



US00D933163S

(12) **United States Design Patent** (10) **Patent No.:** **US D933,163 S**  
**Kuo** (45) **Date of Patent:** **\*\* Oct. 12, 2021**

(54) **WATER SPRAY GUN**  
(71) Applicant: **Tzu-Ching Kuo**, Taipei (TW)  
(72) Inventor: **Tzu-Ching Kuo**, Taipei (TW)  
(\*\*) Term: **15 Years**  
(21) Appl. No.: **29/748,232**  
(22) Filed: **Aug. 27, 2020**  
(51) **LOC (13) Cl.** ..... **23-01**  
(52) **U.S. Cl.**  
USPC ..... **D23/223**  
(58) **Field of Classification Search**  
USPC ..... D23/213, 214, 223, 226, 228, 229, 230,  
D23/238, 239, 240, 241, 242, 249, 250,  
D23/255, 257; D8/107  
CPC ..... B05B 1/16; B05B 1/1618; B05B 1/18;  
B05B 1/185; B05B 15/62; B05B 15/652;  
F16K 31/60; F16K 31/607; E03C 1/02;  
E03C 1/04; E03C 1/0401; E03C 1/0402;  
E03C 1/0404; E03C 1/0405; E03C  
1/0408; E03C 1/06; E03C 1/063; E03C  
1/066; E03C 2001/0414; E03C  
2001/0415; Y10T 137/9464  
See application file for complete search history.

D748,758 S \* 2/2016 Duong ..... D23/223  
D771,774 S \* 11/2016 Chen ..... D23/223  
D792,944 S \* 7/2017 Cheng ..... D23/224  
D792,945 S \* 7/2017 Cheng ..... D23/224  
9,707,573 B1 \* 7/2017 Huang ..... B05B 12/002  
D824,488 S \* 7/2018 Montoya ..... D23/223  
D825,716 S \* 8/2018 Helmsderfer ..... D23/223  
D830,151 S \* 10/2018 Weinberg ..... D8/107  
D846,072 S \* 4/2019 Pease ..... D23/223  
D851,209 S \* 6/2019 Cheng ..... D23/223  
D870,846 S \* 12/2019 Mezzalana ..... D23/213  
2010/0282870 A1 \* 11/2010 Chen ..... B25G 3/20  
239/525

(Continued)

**OTHER PUBLICATIONS**

Keepmove Hose Nozzle Garden, Jan. 17, 2020, Amazon, site visited  
Aug. 2, 2021: <https://www.amazon.ca/dp/B083TY2J7F/> (Year: 2020).\*

(Continued)

*Primary Examiner* — Jack Reickel  
*Assistant Examiner* — Bobby W Jones, II

(57) **CLAIM**

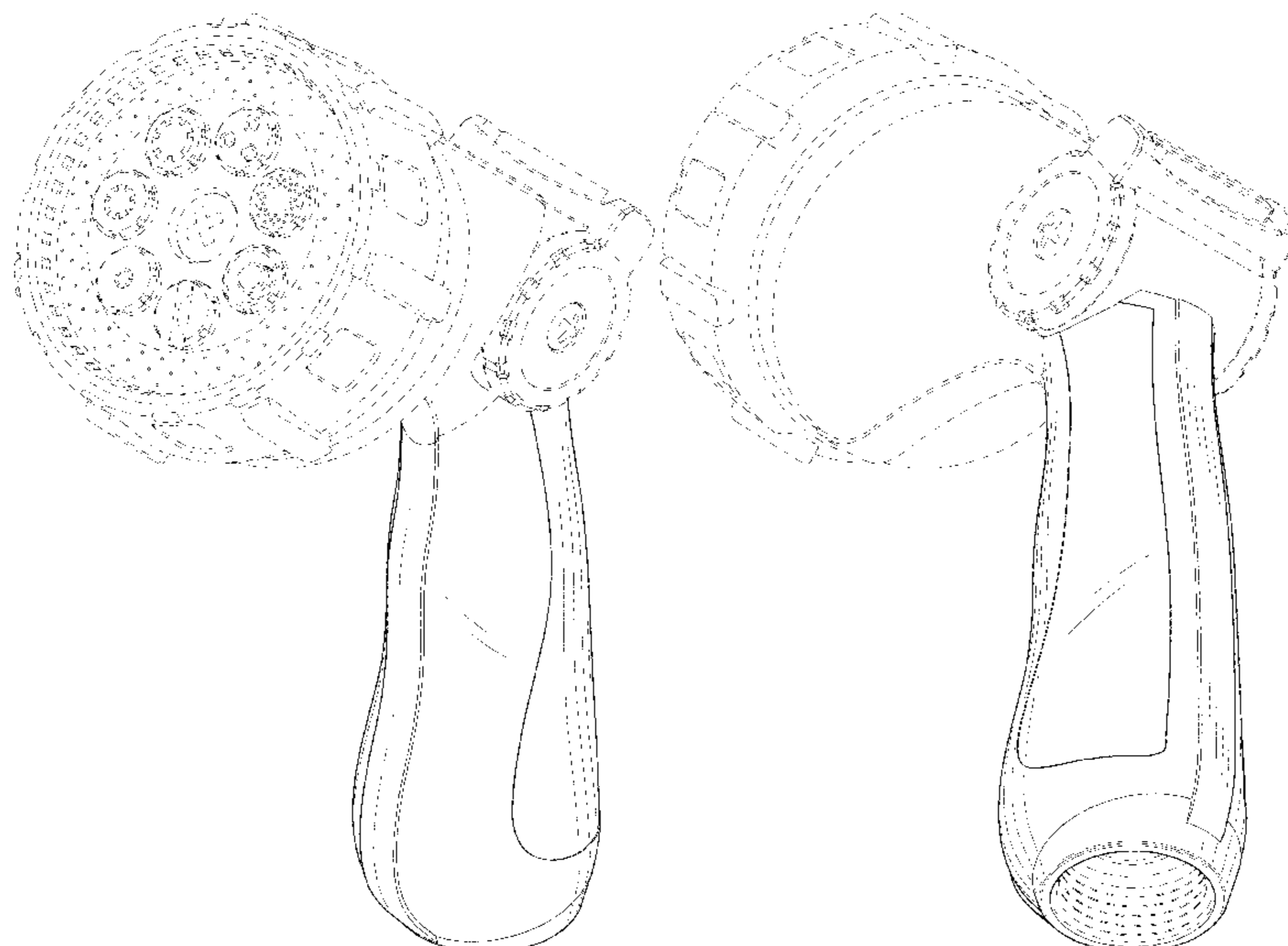
The ornamental design for a water spray gun, as shown and described.

**DESCRIPTION**

FIG. 1 is a perspective view of a water spray gun showing my new design;  
FIG. 2 is a front view thereof;  
FIG. 3 is a rear view thereof;  
FIG. 4 is a left view thereof;  
FIG. 5 is a right view thereof;  
FIG. 6 is a top view thereof; and,  
FIG. 7 is a bottom view thereof.  
The broken lines in the figures show portions of the water spray gun that form no part of the claimed design.

**1 Claim, 7 Drawing Sheets**

(56) **References Cited**  
U.S. PATENT DOCUMENTS  
D463,527 S \* 9/2002 Guo ..... D23/226  
7,328,860 B1 \* 2/2008 Chen ..... B05B 1/3026  
137/625.31  
D576,252 S \* 9/2008 Lo ..... D23/223  
D584,796 S \* 1/2009 Cheng ..... D23/223  
D585,108 S \* 1/2009 Cheng ..... D23/223  
D604,801 S \* 11/2009 Zore ..... D23/213  
D663,013 S \* 7/2012 Chen ..... D23/226  
D681,777 S \* 5/2013 Nies ..... D23/226  
D705,898 S \* 5/2014 Chen ..... D23/223  
8,814,066 B2 \* 8/2014 Hung ..... B05B 9/01  
239/525



(56)

**References Cited**

U.S. PATENT DOCUMENTS

2011/0220738 A1\* 9/2011 Cheng ..... B05B 1/3026  
239/526  
2013/0075497 A1\* 3/2013 Hung ..... B05B 9/01  
239/525  
2016/0167069 A1\* 6/2016 Chiu ..... B05B 12/002  
239/289  
2018/0272369 A1\* 9/2018 Duong ..... B05B 1/1654

OTHER PUBLICATIONS

Member's Mark Fireman Hose Nozzle Set, Jan. 25, 2020, Amazon, site visited Aug. 2, 2021: <https://www.amazon.com/dp/B08DM9M52V/> (Year: 2020).\*

Green Mount Fireman Style, Oct. 30, 2019, Amazon, site visited Aug. 2, 2021: <https://www.amazon.ca/dp/B079QXX8RT/> (Year: 2019).\*

\* cited by examiner

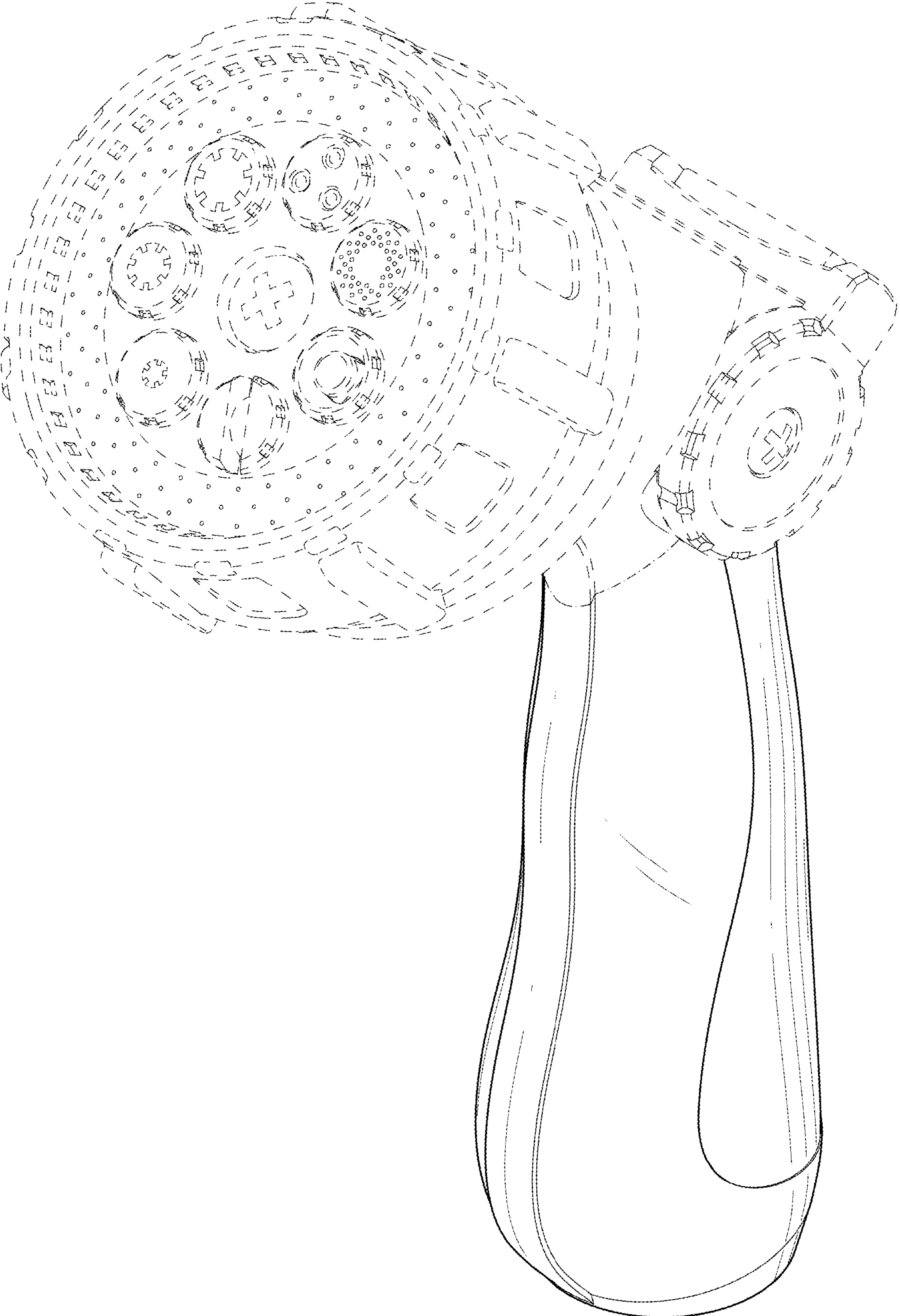


FIG.1

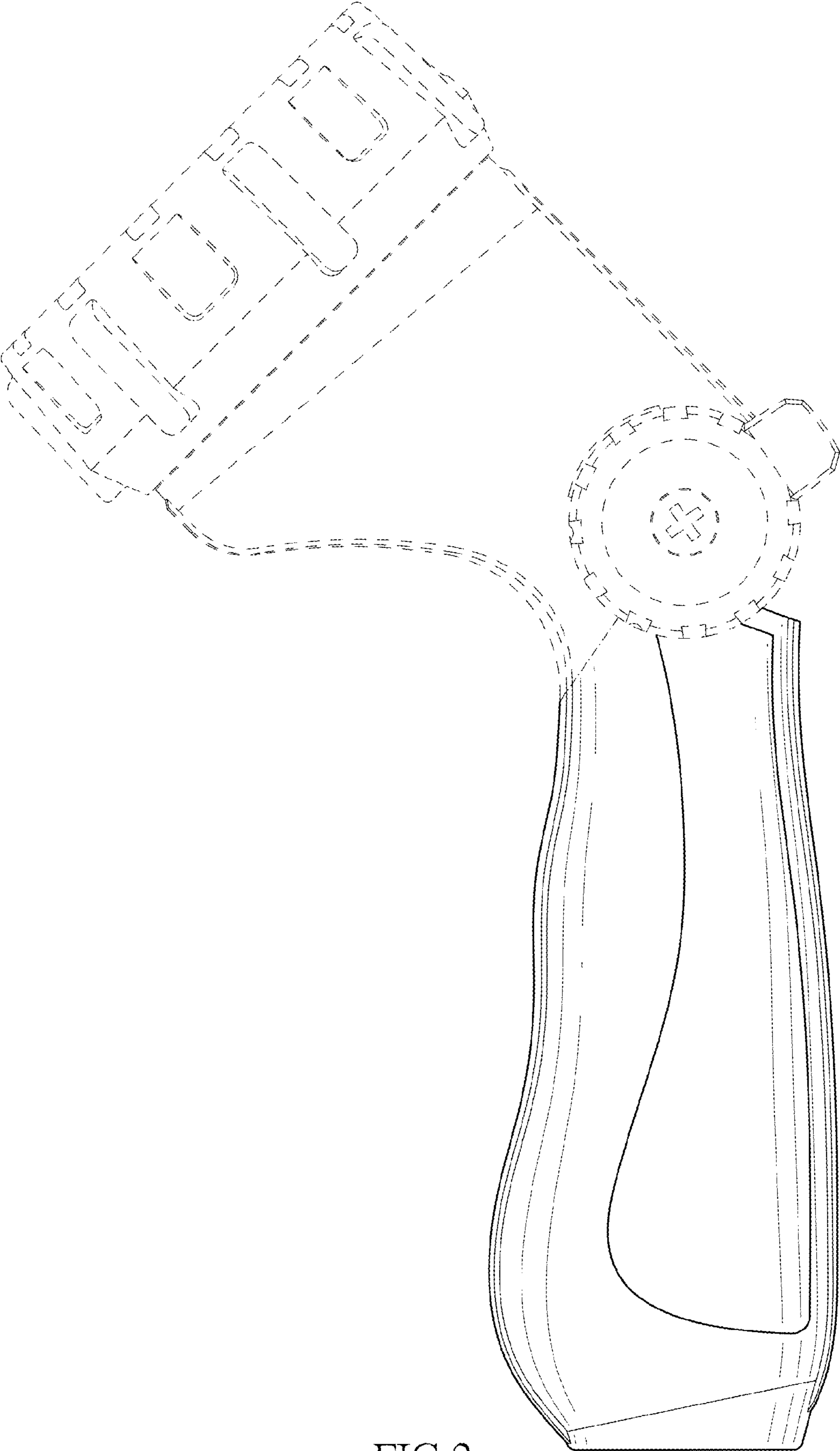


FIG.2

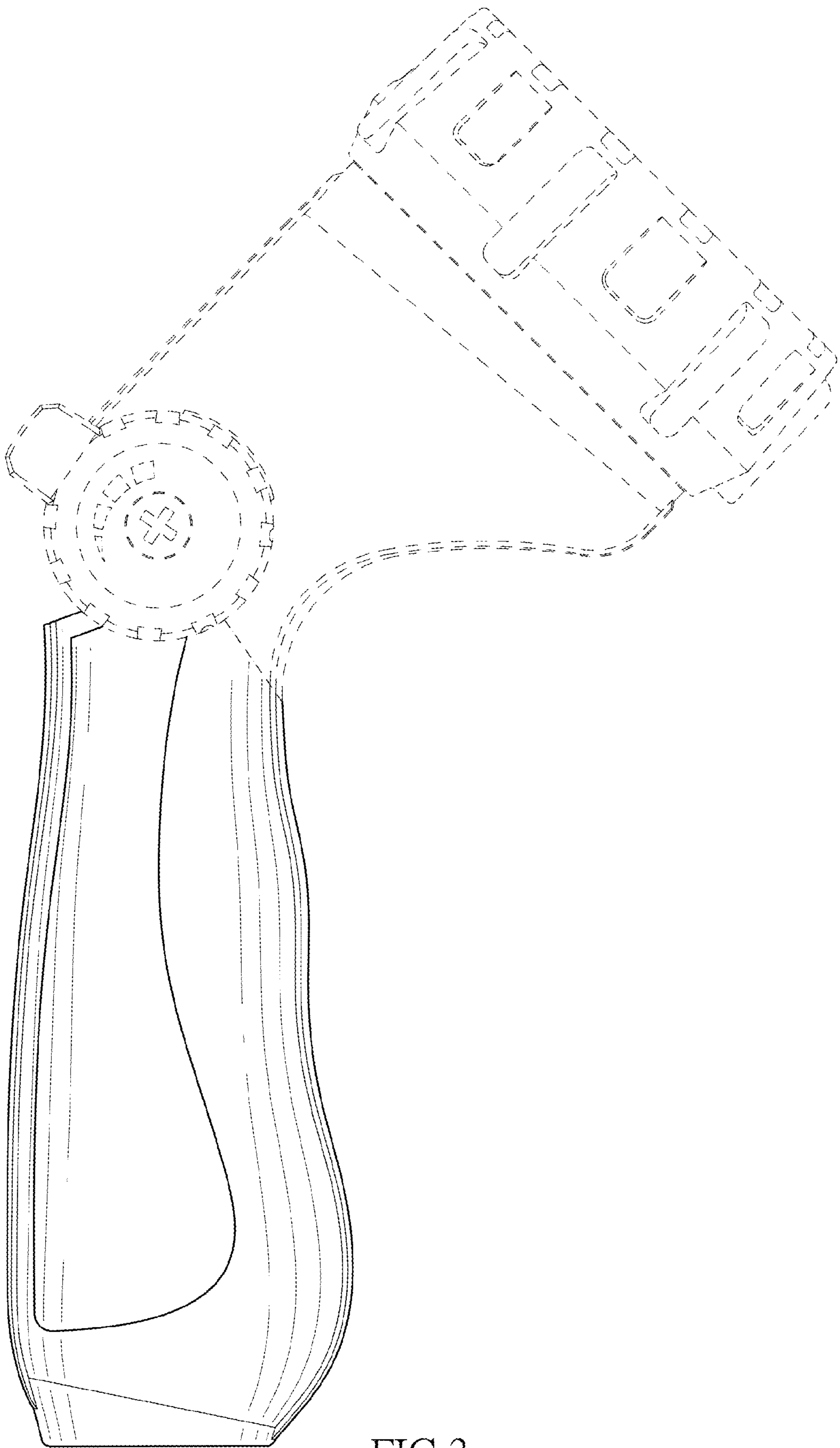


FIG.3

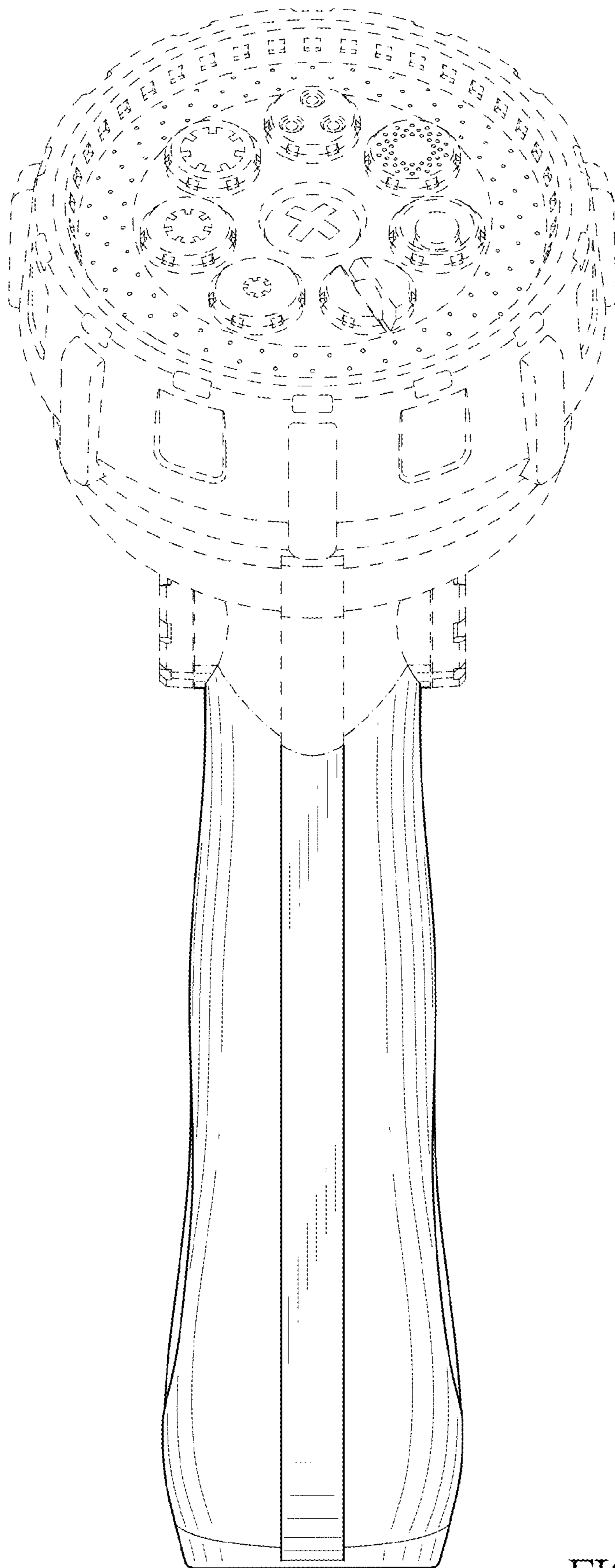


FIG.4

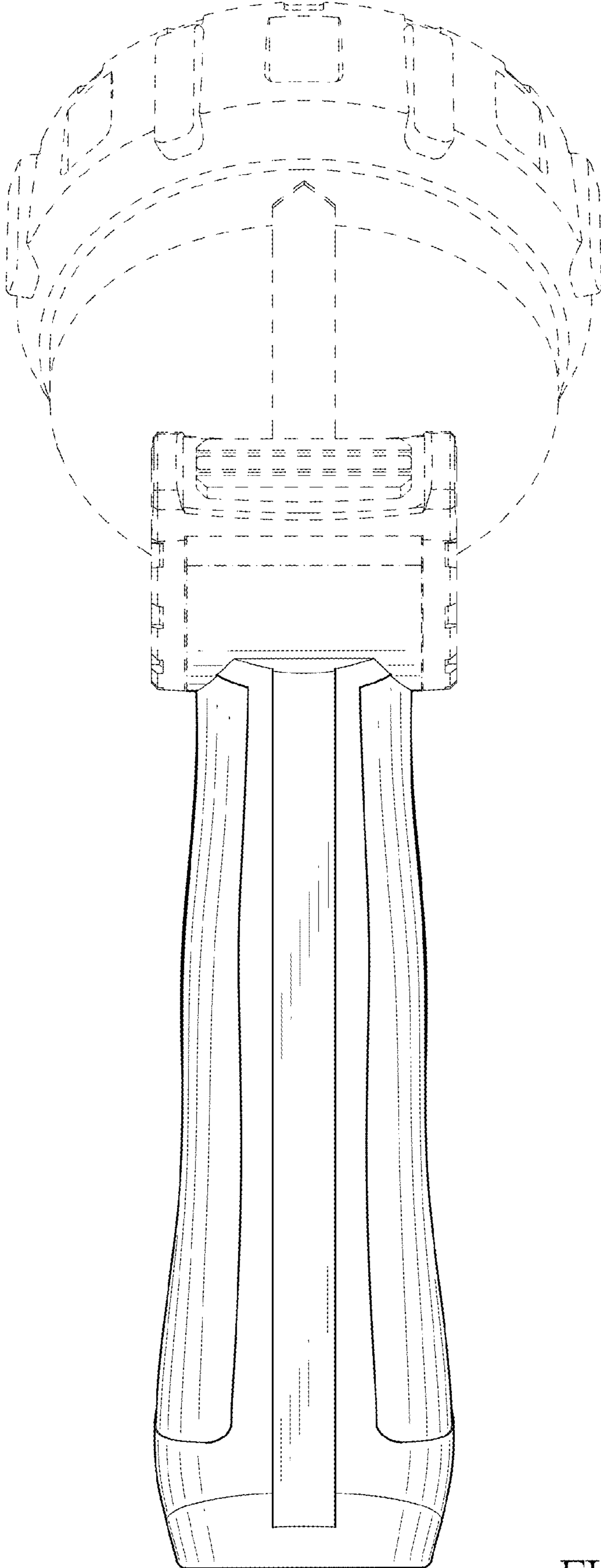


FIG.5

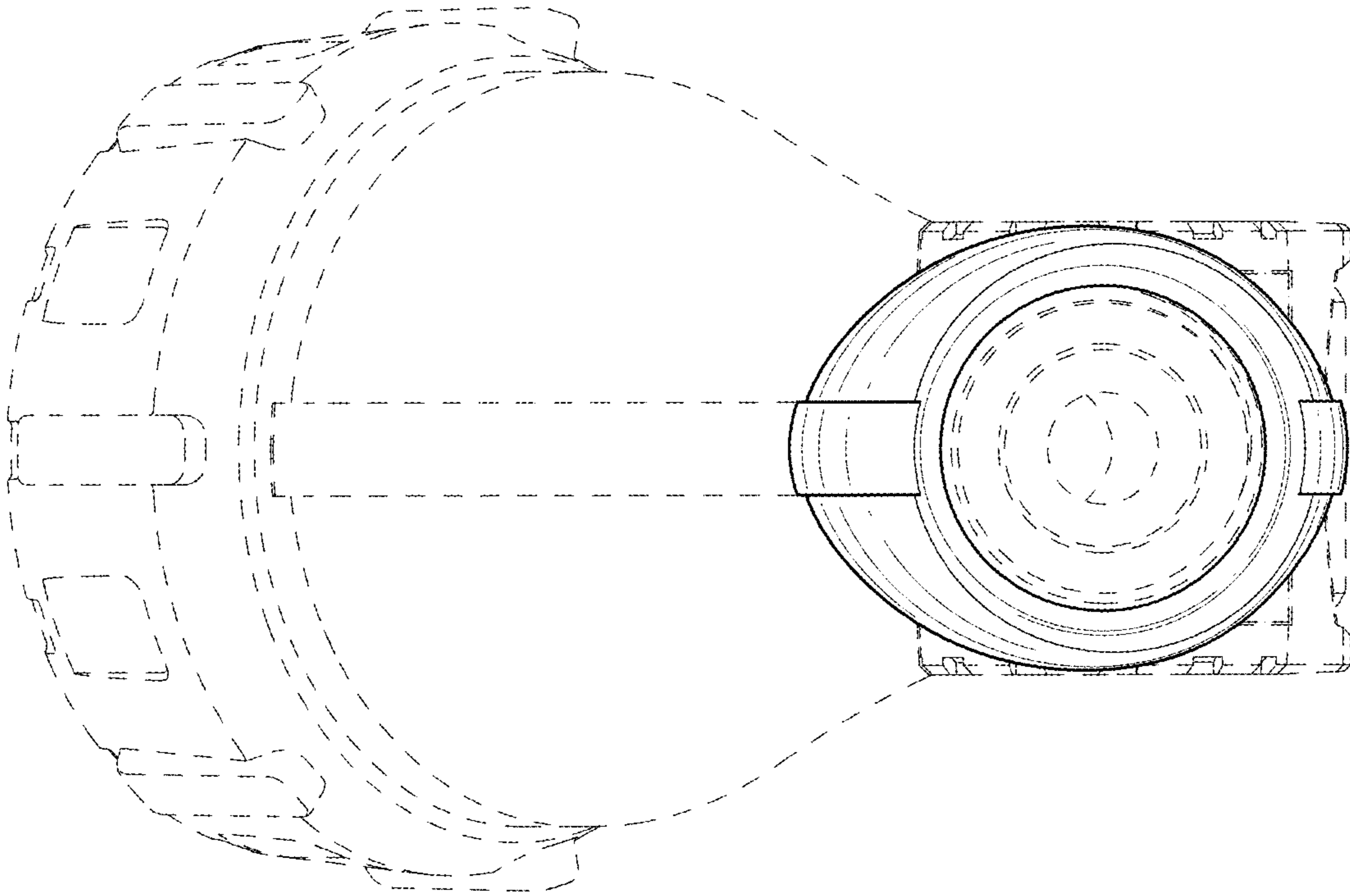


FIG.6



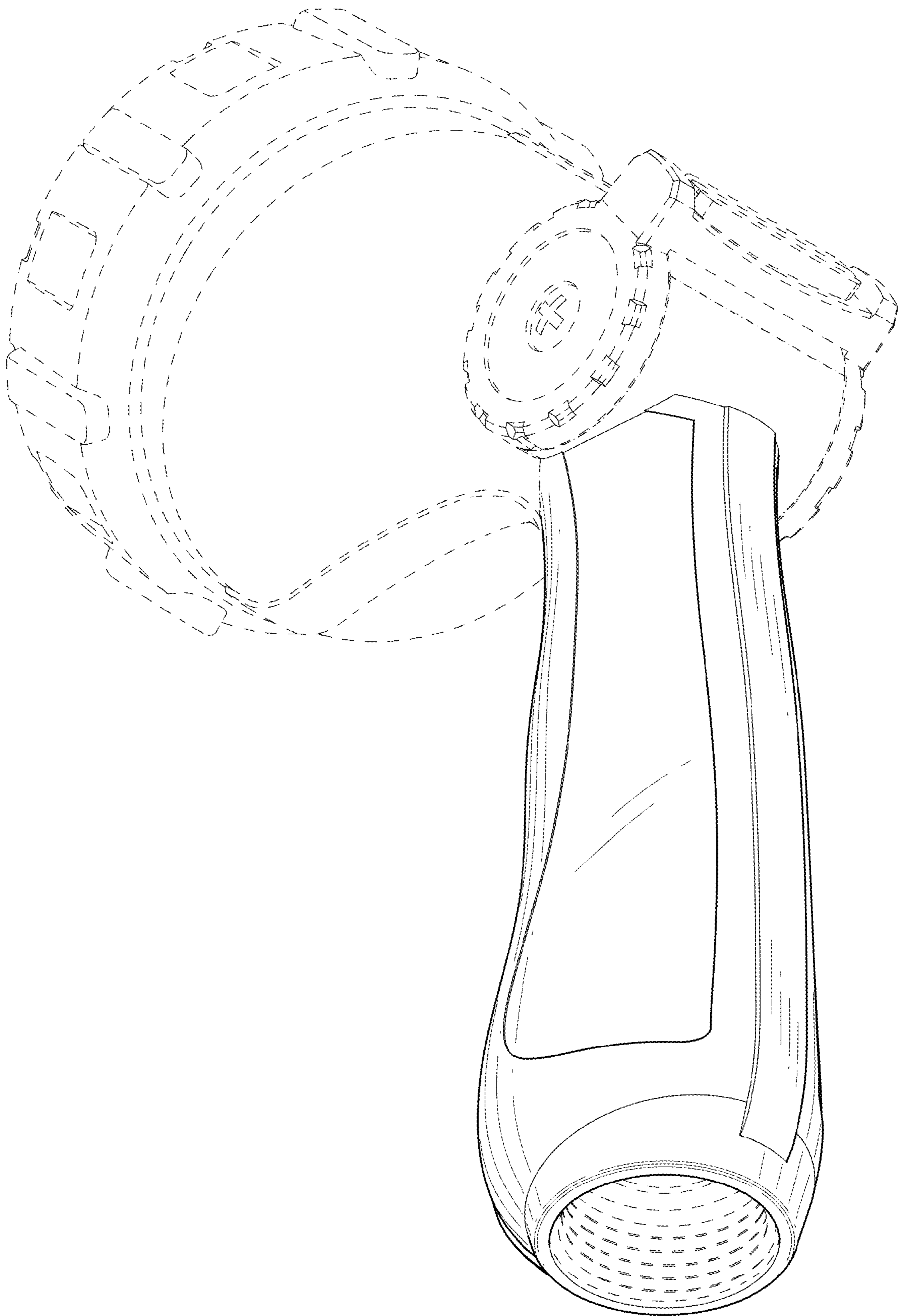


FIG.7