



US00D933162S

(12) **United States Design Patent** (10) **Patent No.:** **US D933,162 S**
Stein (45) **Date of Patent:** **** Oct. 12, 2021**

(54) **FAUCET STREAM STRAIGHTENER**
(71) Applicant: **Neoperl GmbH**, Mullheim (DE)
(72) Inventor: **Alexander Stein**, Ihringen (DE)
(73) Assignee: **Neoperl GmbH**, Müllheim (DE)
(**) Term: **15 Years**
(21) Appl. No.: **29/759,838**
(22) Filed: **Nov. 25, 2020**

Related U.S. Application Data

(62) Division of application No. 35/507,363, filed on Mar. 8, 2019 (U.S. filing date under 35 U.S.C. 384), and having an international filing date of Mar. 8, 2019, now Pat. No. Des. 906,478.
(51) **LOC (13) Cl.** **23-01**
(52) **U.S. Cl.**
USPC **D23/213**
CPC **E03C 1/08** (2013.01)
(58) **Field of Classification Search**
USPC D23/213, 229, 233, 235, 247–249, 260, D23/264
CPC B05B 7/0425; E03C 1/08; E03C 1/084; E03C 1/086; E03C 2001/026
See application file for complete search history.

(56) **References Cited**

U.S. PATENT DOCUMENTS

D536,417 S * 2/2007 Buttgen D23/213
D537,916 S * 3/2007 Buttgen D23/213
D589,602 S 3/2009 Horiguchi
D699,816 S * 2/2014 Blum D23/249
D728,738 S * 5/2015 Birmelin D23/213
D728,740 S * 5/2015 Tempel D23/213
D728,741 S * 5/2015 Blum D23/213
D732,140 S * 6/2015 Tempel D23/213
D733,255 S * 6/2015 Blum D23/213

D745,641 S * 12/2015 Blum D23/249
D752,710 S * 3/2016 Tempel D23/213
D753,792 S * 4/2016 Blum D23/213
D776,240 S 1/2017 Huang
D776,242 S * 1/2017 Blum D23/213
D788,264 S * 5/2017 Stein D23/213
D788,881 S * 6/2017 Birmelin D23/213
D791,921 S * 7/2017 Blum D23/249
D797,236 S * 9/2017 Blum D23/213
D812,722 S * 3/2018 Blum D23/249
D822,159 S * 7/2018 Tempel D23/213
D833,583 S * 11/2018 Birmelin D23/260
D839,385 S * 1/2019 Vogeli D23/213
D840,503 S * 2/2019 Stein D23/213
D844,104 S * 3/2019 Birmelin D23/213
D844,747 S * 4/2019 Blum D23/213
D844,748 S * 4/2019 Schurle D23/213
D849,888 S * 5/2019 Schurle D23/213
D851,208 S * 6/2019 Birmelin D23/213
D856,475 S 8/2019 Gessi

(Continued)

Primary Examiner — Richard E Chilcot

(74) *Attorney, Agent, or Firm* — Volpe Koenig

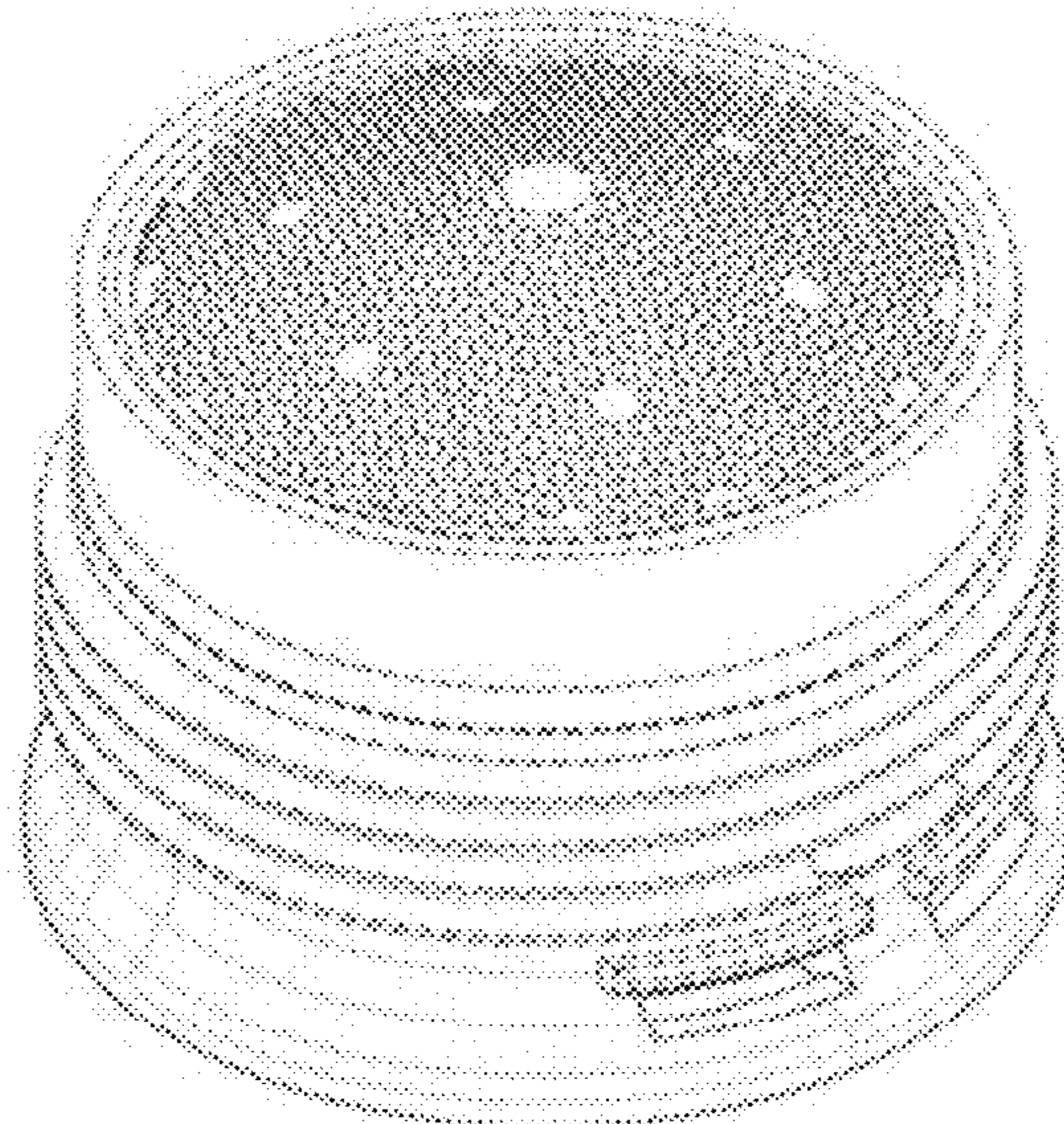
(57) **CLAIM**

The ornamental design for a faucet stream straightener, as shown and described.

DESCRIPTION

FIG. 1 is a top plan view of a faucet stream straightener in accordance with my design;
FIG. 2 is a top, front perspective view thereof;
FIG. 3 is a bottom plan view thereof;
FIG. 4 is a bottom, rear perspective view thereof;
FIG. 5 is a front elevational view thereof;
FIG. 6 is a left side elevational view thereof;
FIG. 7 is a rear elevational view thereof; and,
FIG. 8 is a right side elevational view thereof.
The broken lines represent portions of the faucet stream straightener in which the design is embodied that form no part of the claimed design.

1 Claim, 4 Drawing Sheets



(56)

References Cited

U.S. PATENT DOCUMENTS

D857,842	S	8/2019	Yu	
D858,700	S	9/2019	Stoler	
D860,402	S *	9/2019	Blum D23/249
D861,129	S	9/2019	Logar	
D863,502	S	10/2019	Hsieh	
D863,503	S *	10/2019	Tempel D23/213
D864,350	S	10/2019	Logar	
D865,908	S	11/2019	Hsieh	
D865,909	S	11/2019	Hsieh	
D866,709	S *	11/2019	Schurle D23/213
D866,710	S *	11/2019	Blum D23/213
D867,530	S *	11/2019	Vogeli D23/213
D868,936	S *	12/2019	Schurle D23/213
D871,553	S *	12/2019	Blum D23/249
D872,226	S *	1/2020	Stein D23/213
D876,581	S	2/2020	Hsieh	
D876,583	S	2/2020	Hayner	
D879,245	S	3/2020	Eads	
D879,246	S	3/2020	Eads	
D879,247	S	3/2020	Stoler	
D885,521	S	5/2020	Hayner	
D889,603	S	7/2020	Wu	
D891,579	S	7/2020	Cai	
D891,581	S	7/2020	Cheng	
D892,976	S	8/2020	Zhang	
D892,977	S	8/2020	Zhang	
D893,675	S	8/2020	Hayner	
D895,765	S *	9/2020	Vogeli D23/213
D898,163	S *	10/2020	Tempel D23/213
D905,820	S *	12/2020	Wei D23/213
D906,478	S *	12/2020	Stein D23/213
D920,475	S *	5/2021	Michalak D23/226
D921,152	S *	6/2021	Blum D23/213

* cited by examiner

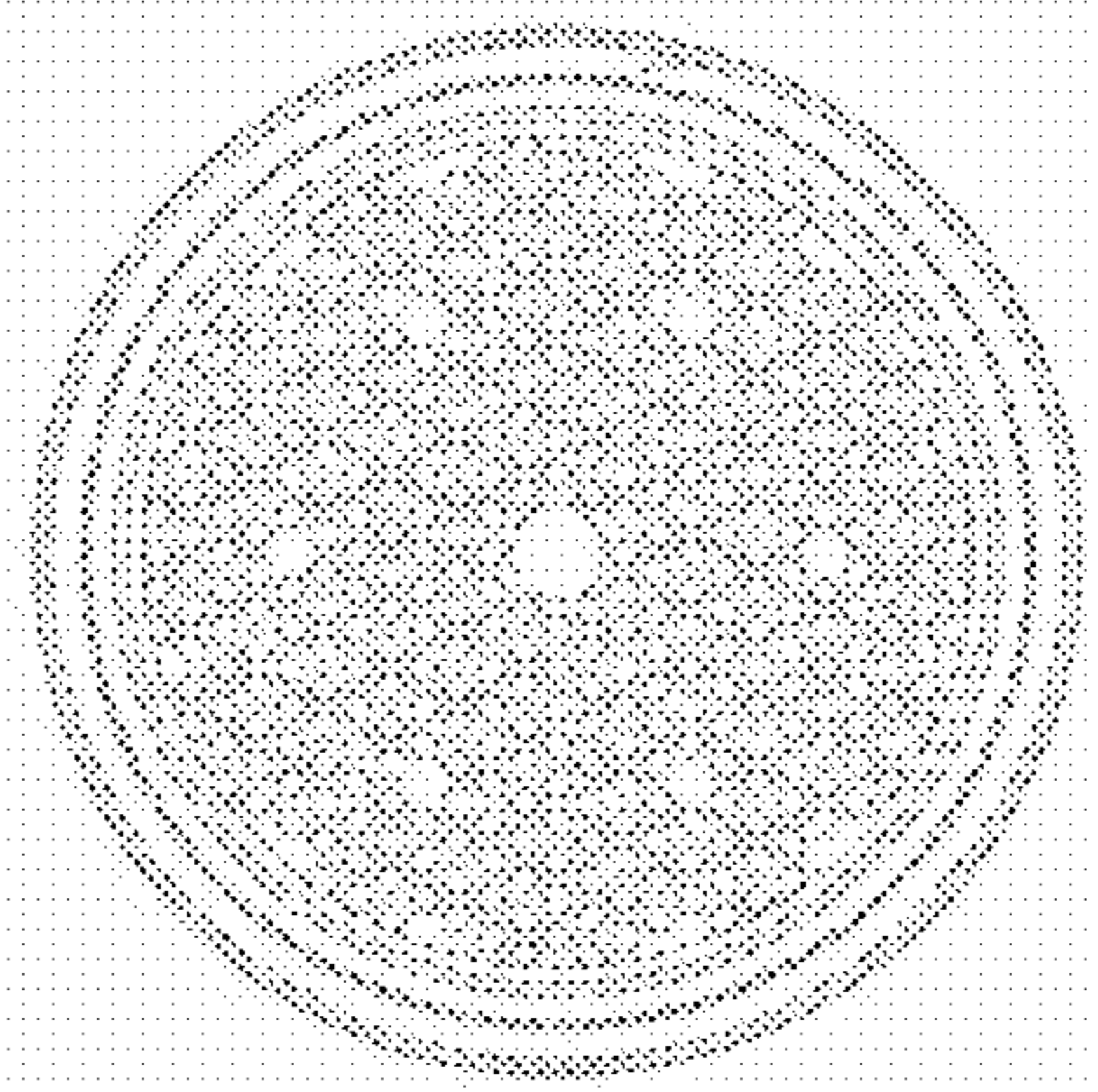


Fig. 1

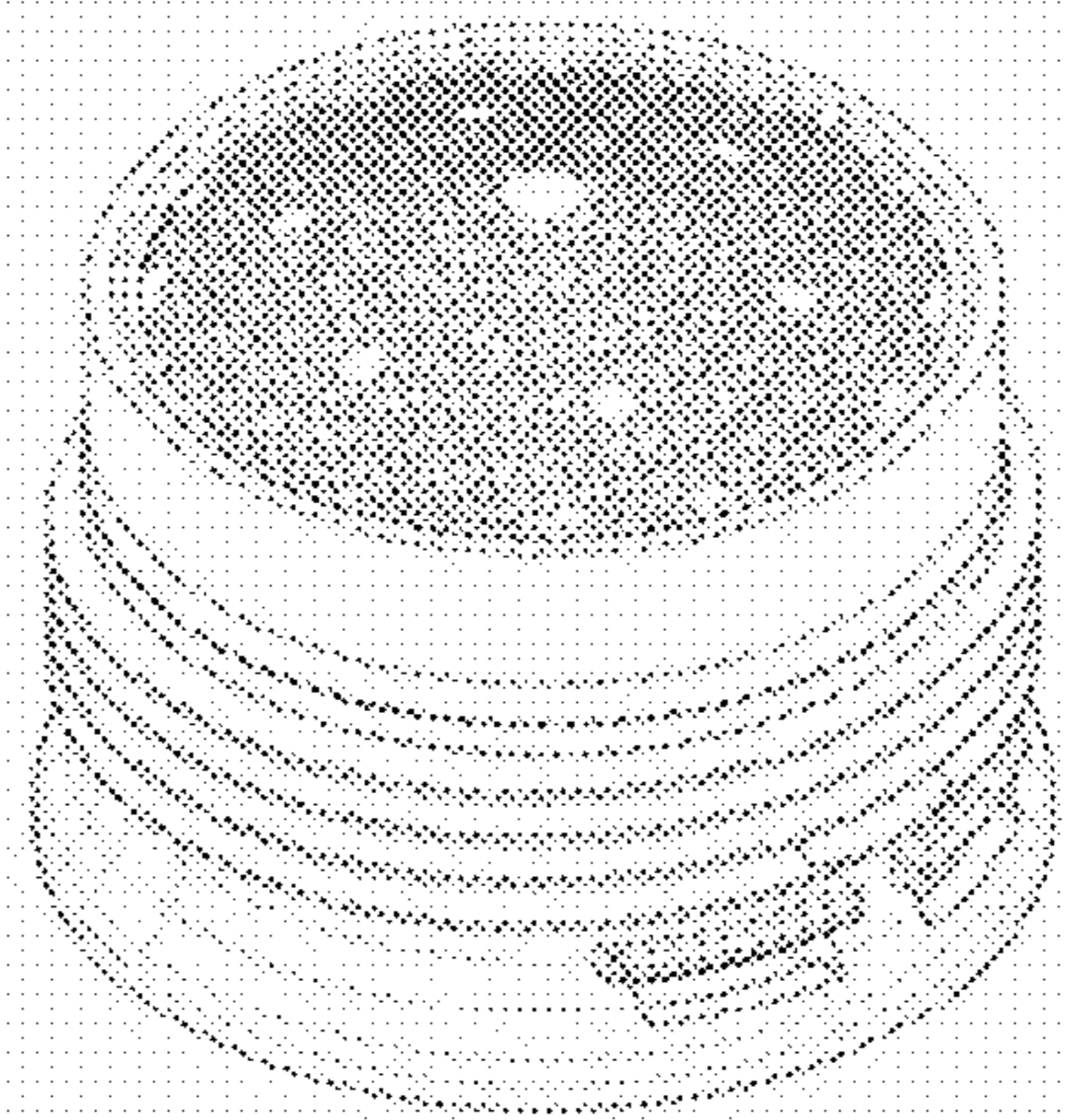


Fig. 2

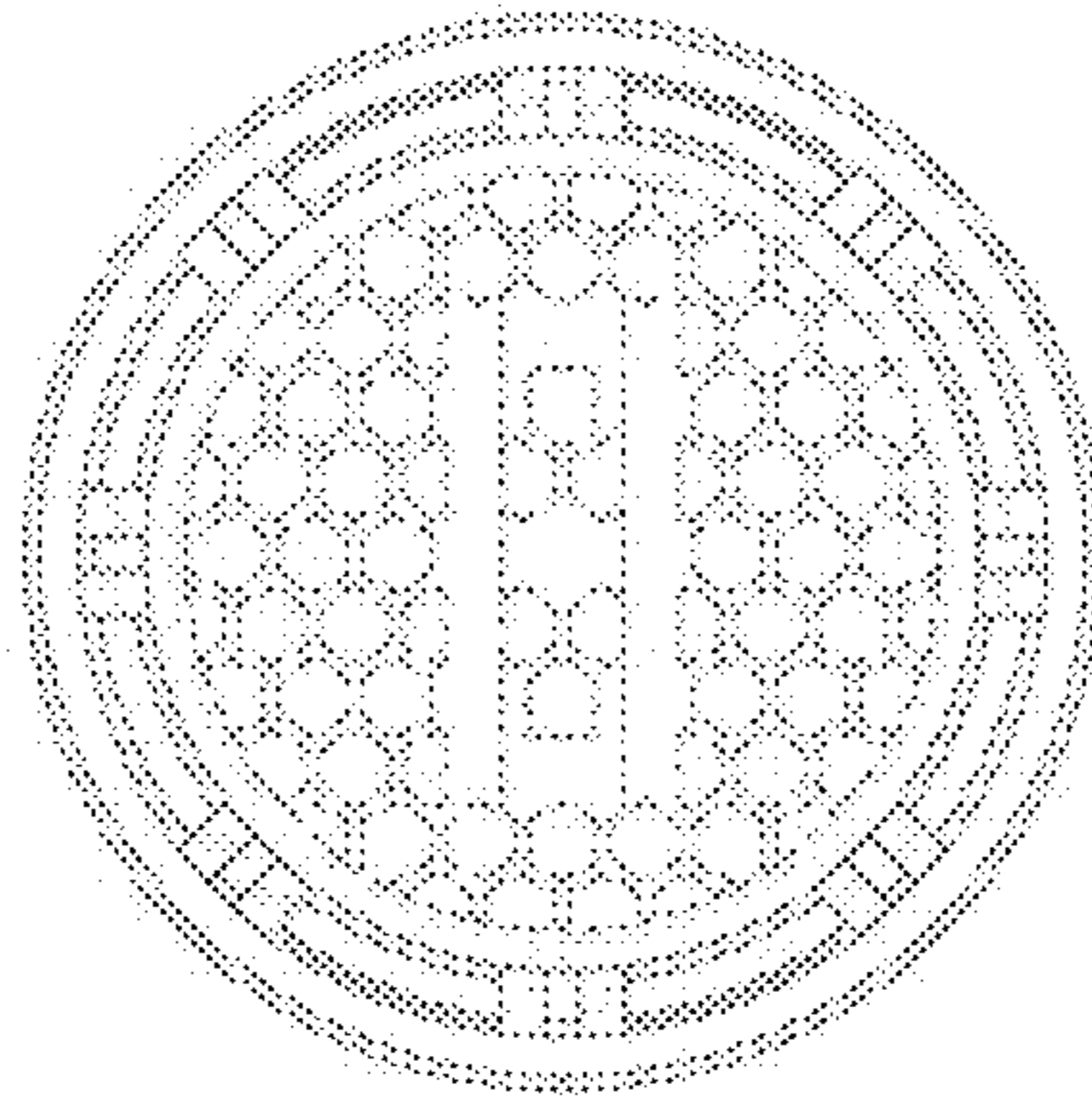


Fig. 3

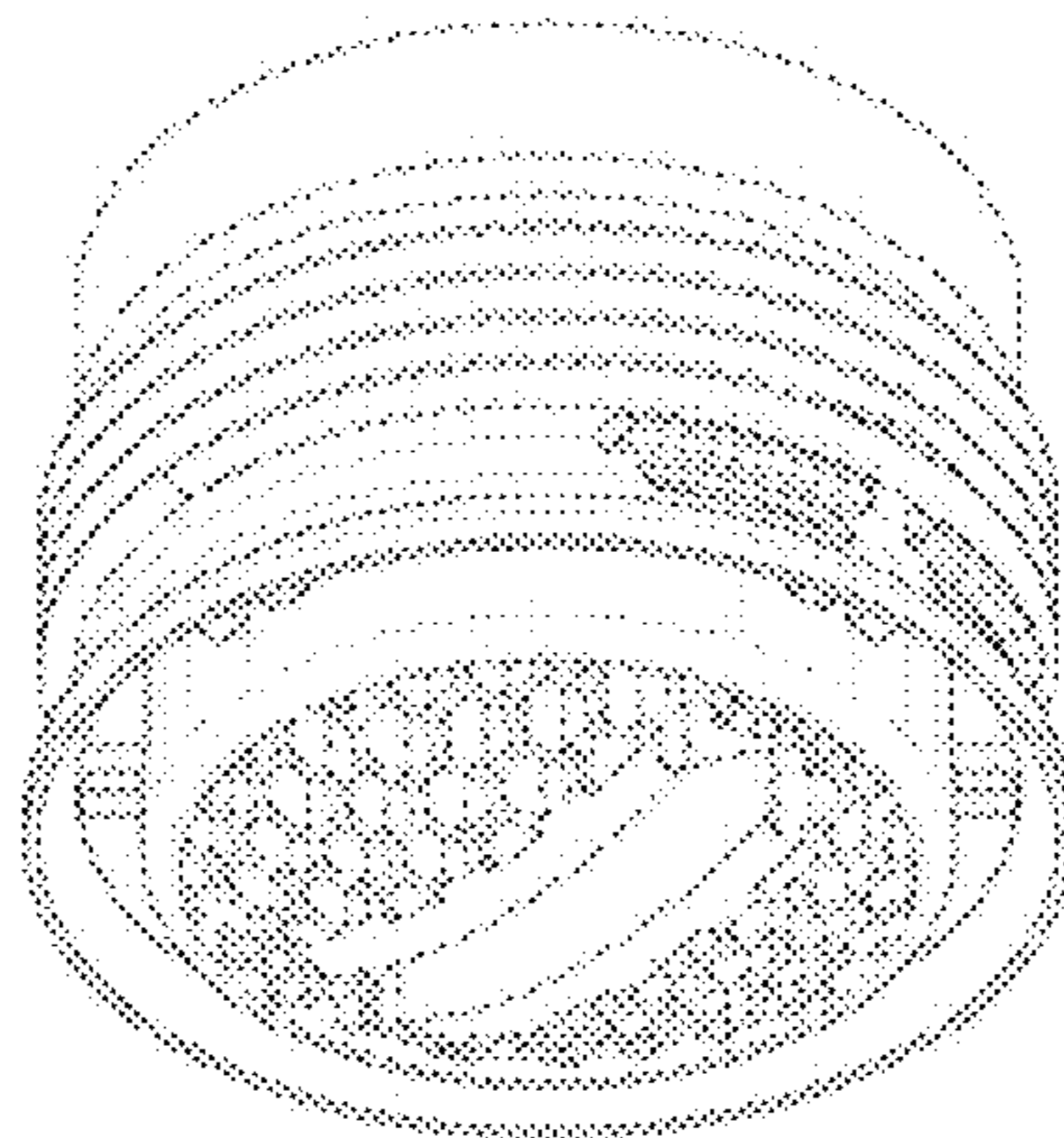


Fig. 4

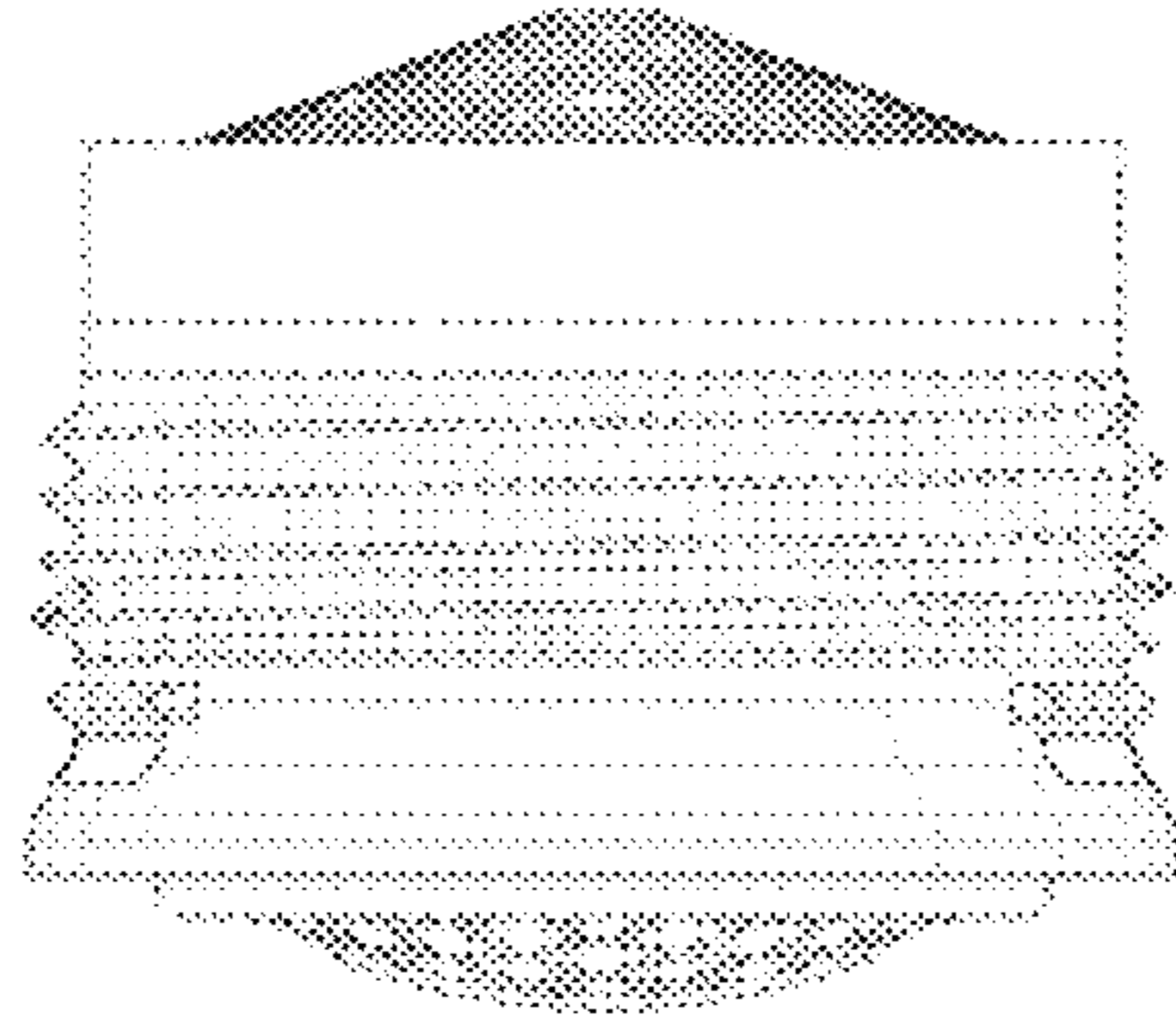


Fig. 5

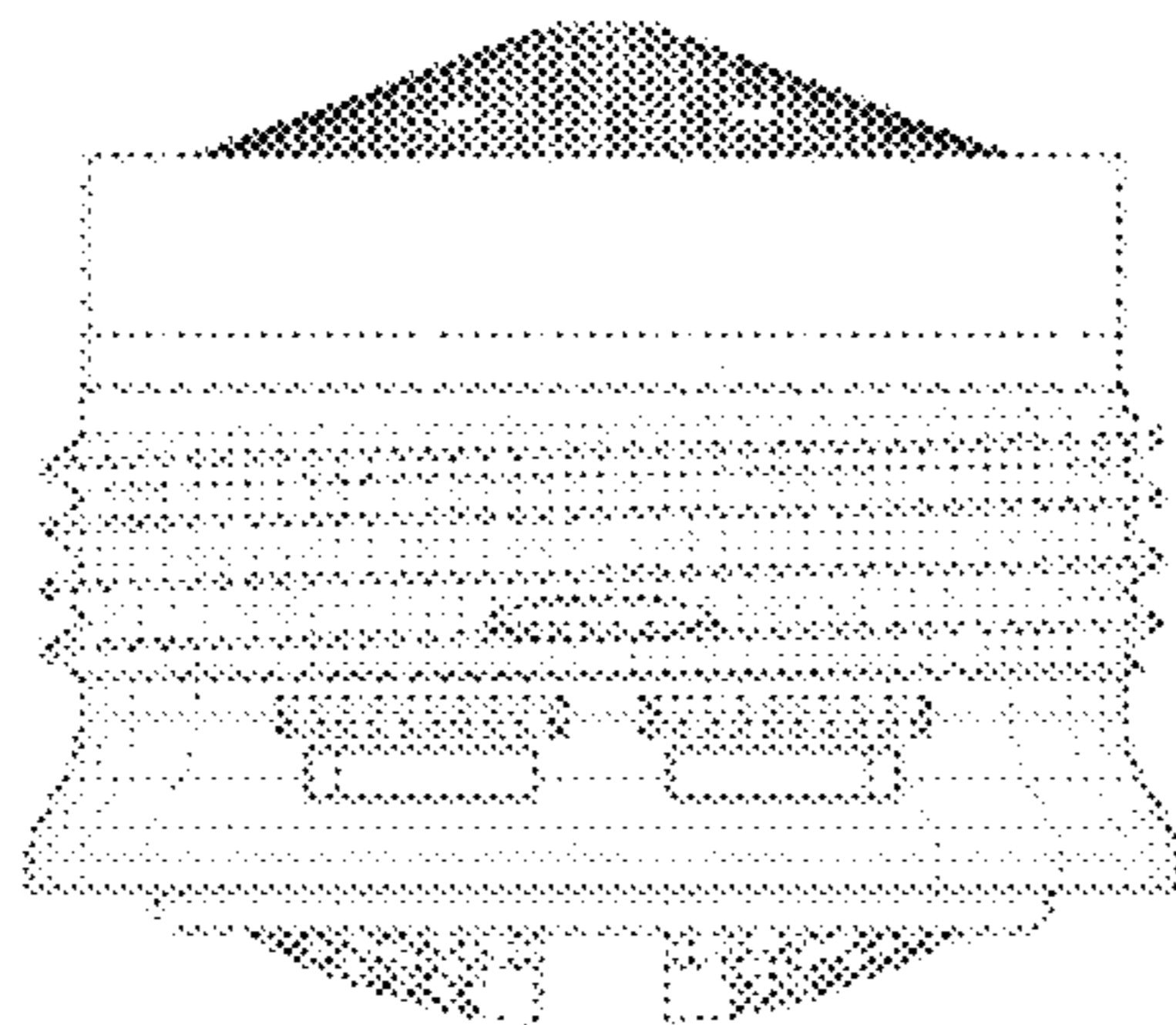


Fig. 6

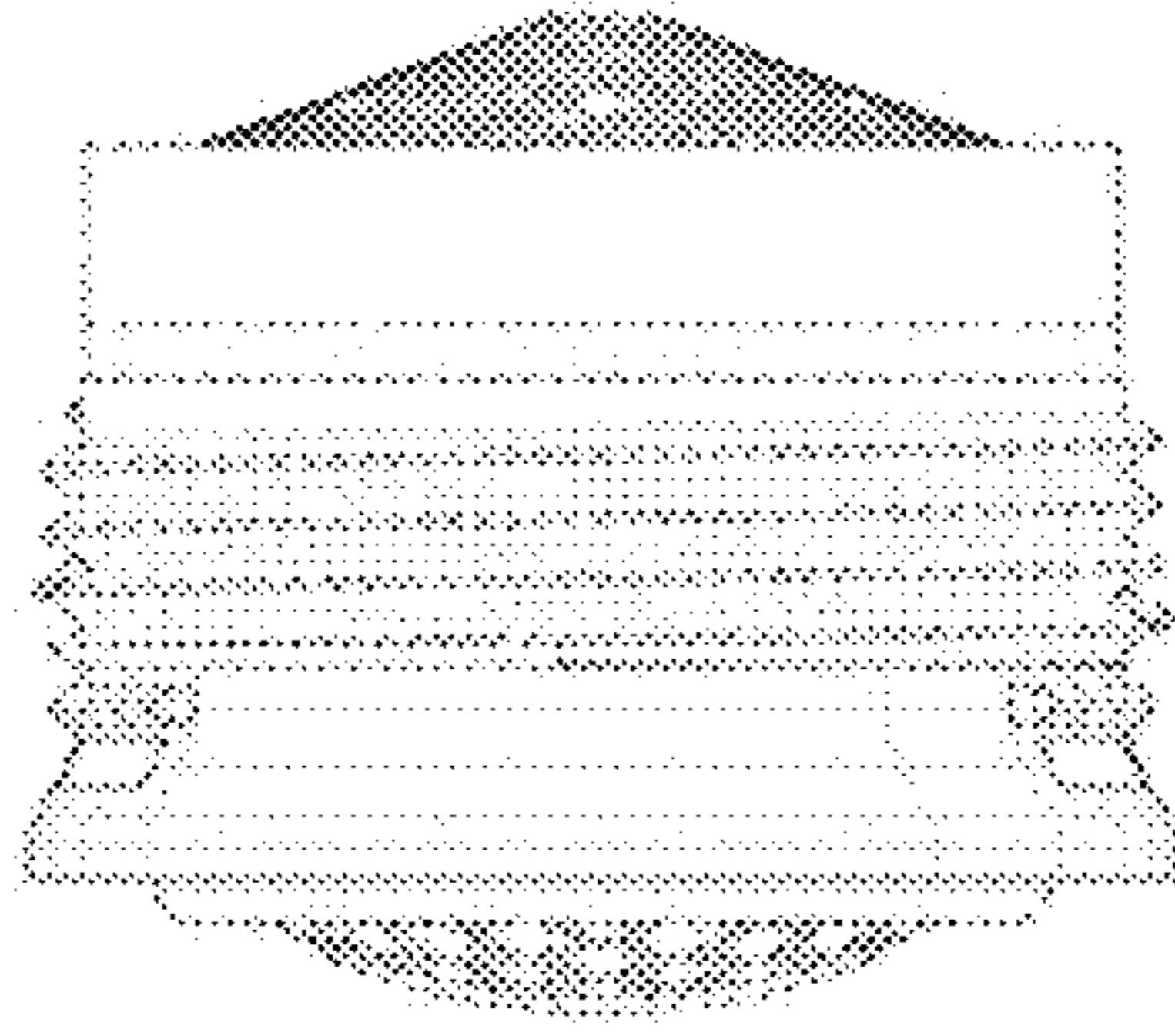


Fig. 7

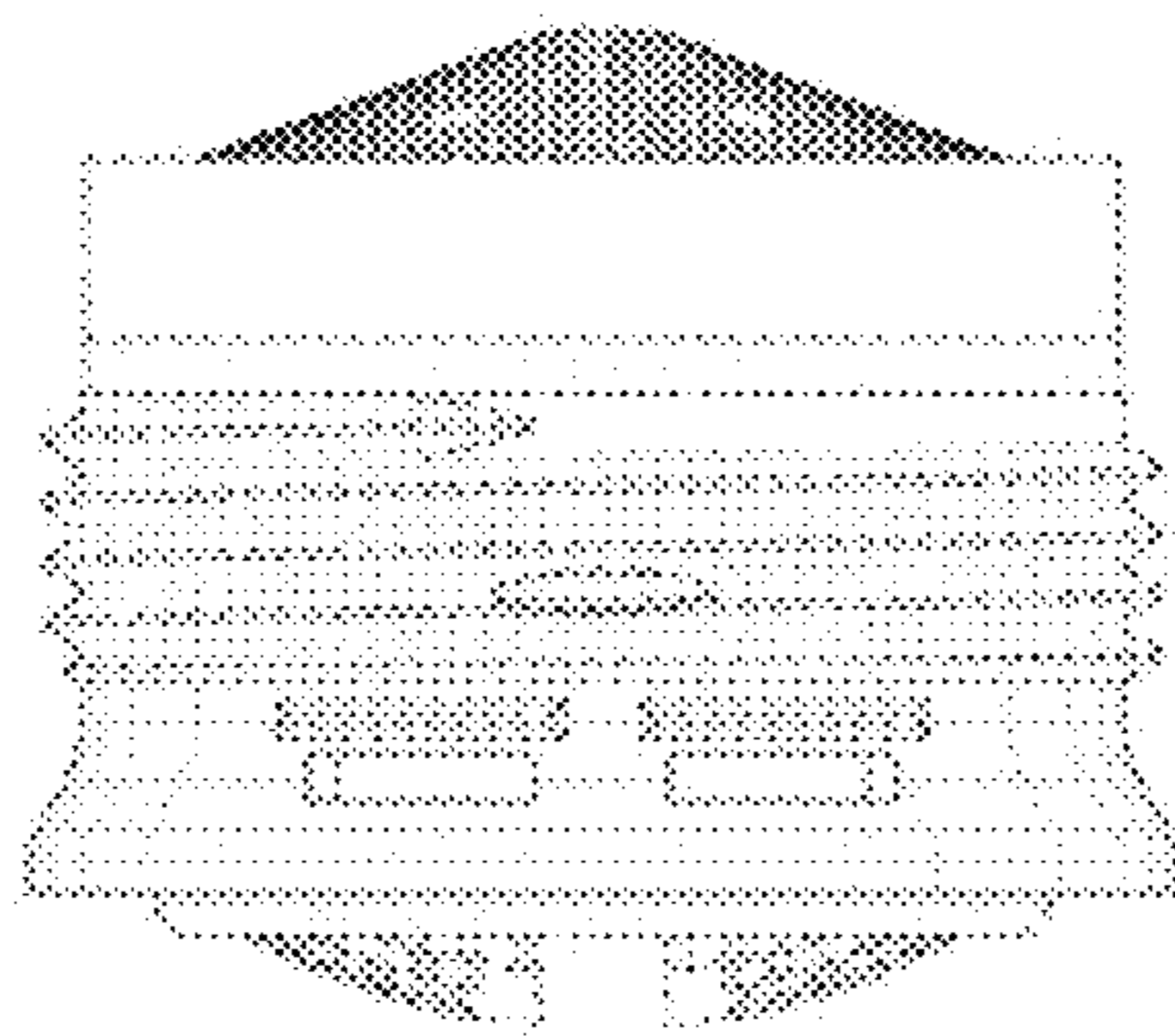


Fig. 8