



US00D933161S

(12) **United States Design Patent** (10) **Patent No.:** **US D933,161 S**  
**Kuppert et al.** (45) **Date of Patent:** **\*\* Oct. 12, 2021**

(54) **SHOWER HEAD**

(71) Applicant: **Grohe AG**, Hemer (DE)

(72) Inventors: **Christoph Kuppert**, Cologne (DE);  
**Patrick de Arins Speck**, London (GB)

(73) Assignee: **Grohe AG**, Hemer (DE)

(\*\*) Term: **15 Years**

(21) Appl. No.: **29/741,733**

(22) Filed: **Jul. 15, 2020**

(30) **Foreign Application Priority Data**

Jan. 15, 2020 (EM) ..... 007515713-0002

(51) **LOC (13) Cl.** ..... **23-01**

(52) **U.S. Cl.**  
USPC ..... **D23/213**

(58) **Field of Classification Search**  
USPC ..... D23/213, 214, 215, 222, 223, 224, 226,  
D23/229, 230  
CPC ..... A61H 9/0021; A61H 33/00; B05B 1/00;  
B05B 1/14; B05B 1/185; B05B 1/08;  
B05B 1/02; B05B 1/26; B05B 12/002;  
B05B 1/18; B05B 9/01

See application file for complete search history.

(56) **References Cited**

**U.S. PATENT DOCUMENTS**

D531,260 S \* 10/2006 Luo ..... D23/213  
D604,803 S \* 11/2009 Schoenherr ..... D23/213  
D645,540 S \* 9/2011 Fritz ..... D23/213  
D658,269 S \* 4/2012 Schoenherr ..... D23/213  
D713,496 S \* 9/2014 Schoenherr ..... D23/213  
D744,610 S \* 12/2015 Citterio ..... D23/213  
D757,895 S \* 5/2016 Schoenherr ..... D23/213  
D758,532 S \* 6/2016 Schoenherr ..... D23/213  
D791,277 S \* 7/2017 Eads ..... D23/213

D849,191 S \* 5/2019 Cocks ..... D23/213  
D908,188 S \* 1/2021 Seum ..... D23/213  
D926,928 S \* 8/2021 Zhang ..... D23/213  
D927,638 S \* 8/2021 Cocks ..... D23/213

**OTHER PUBLICATIONS**

Bright Showers Rain Shower Head with Handheld Spray 5 ft. Shower Hose Combo, Jan. 3, 2018, Amazon.com, Aug. 12, 2021. URL: <https://www.amazon.com/dp/B078SK3SFF> (Year: 2018).\*  
Hansgrohe Croma Select E 7-inch Showerhead Premium Modern 2-Spray Rain, Jul. 22, 2015, Amazon.com, Aug. 12, 2021. URL: <https://www.amazon.com/Hansgrohe-26528821-Showerhead-gallons-Brushed/dp/B012BKO7GY> (Year: 2015).\*

(Continued)

*Primary Examiner* — Jack Reickel

*Assistant Examiner* — Keith J Wilson

(74) *Attorney, Agent, or Firm* — Muncy, Geissler, Olds & Lowe, P.C.

(57) **CLAIM**

The ornamental design for a shower head, as shown and described.

**DESCRIPTION**

FIG. 1 is a front perspective view of a shower head according to the present invention.

FIG. 2 is a front view of the shower head of FIG. 1.

FIG. 3 is a rear view of the shower head of FIG. 1.

FIG. 4 is a left side view of the shower head of FIG. 1.

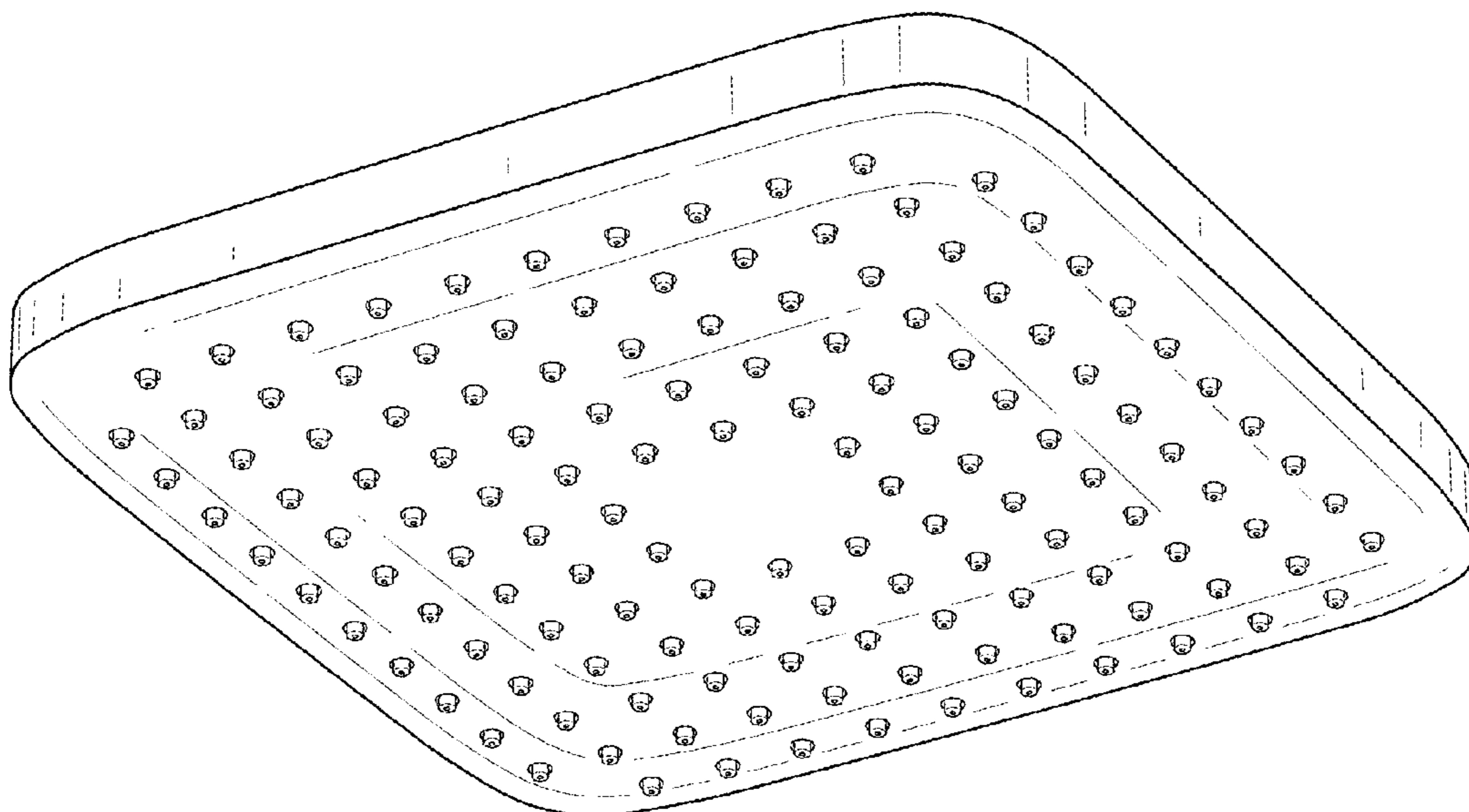
FIG. 5 is a right side view of the shower head of FIG. 1.

FIG. 6 is a top view of the shower head of FIG. 1; and,

FIG. 7 is a bottom view of the shower head of FIG. 1.

The broken lines shown represent portions of a shower head and form no part of the claimed design.

**1 Claim, 7 Drawing Sheets**



(56)

**References Cited**

OTHER PUBLICATIONS

Delta 52690-SS Showerhead, Stainless, Oct. 31, 2014, Amazon.com, Aug. 12, 2021, Amazon.com, Aug. 12, 2021 [https://www.amazon.com/dp/B00P2T5S8I/ref=sbl\\_dpx\\_B012BKO7GY\\_0](https://www.amazon.com/dp/B00P2T5S8I/ref=sbl_dpx_B012BKO7GY_0) (Year: 2014).\*

DreamSpa Ultra-Luxury 9" Rainfall Shower Head/Handheld Combo, Mar. 21, 2016, Amazon.com, Aug. 12, 2021. URL: <https://www.amazon.com/Ultra-Luxury-Convenient-Push-Button-one-handed-operation/dp/B019NCXIKE> (Year: 2016).\*

\* cited by examiner

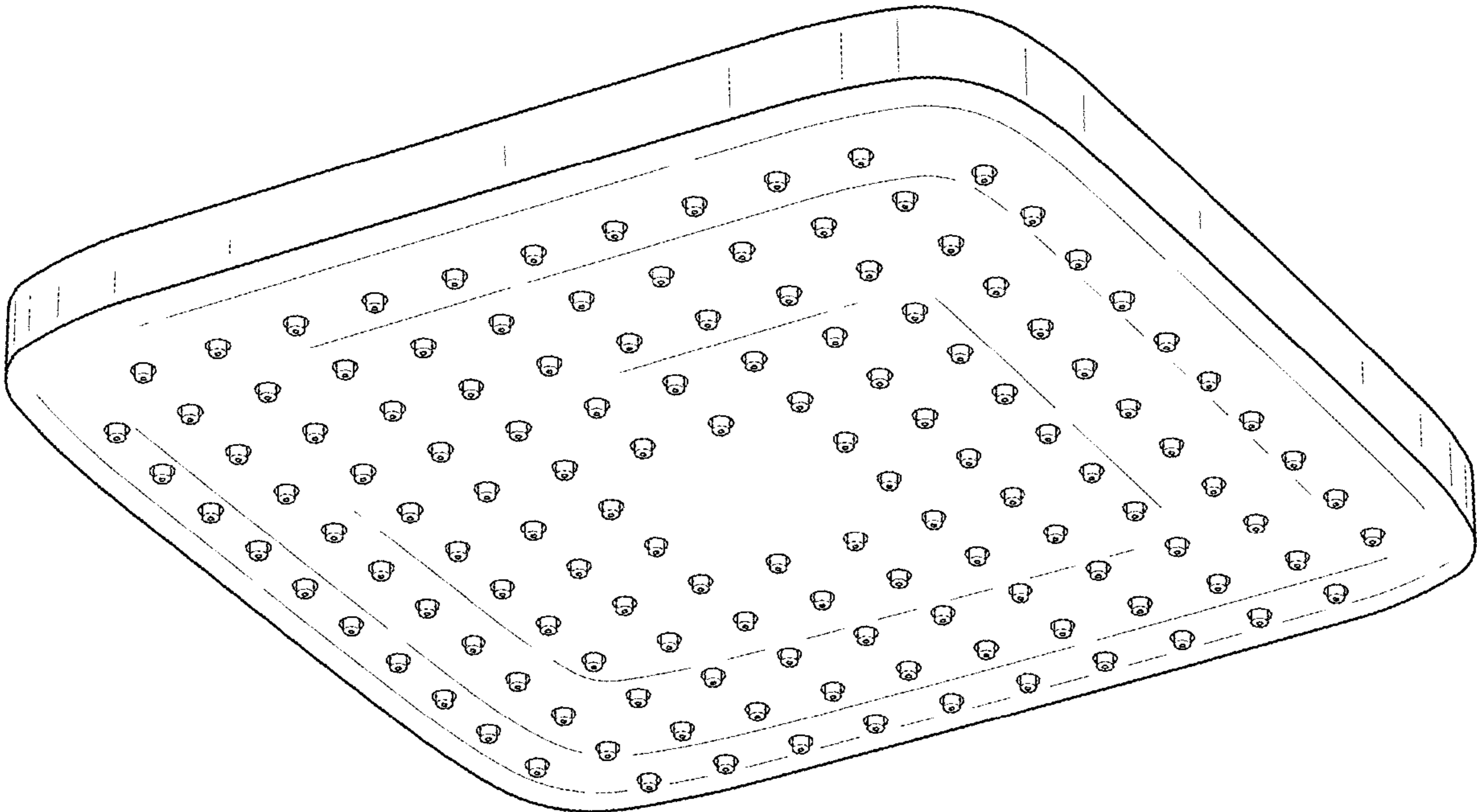


FIG.1

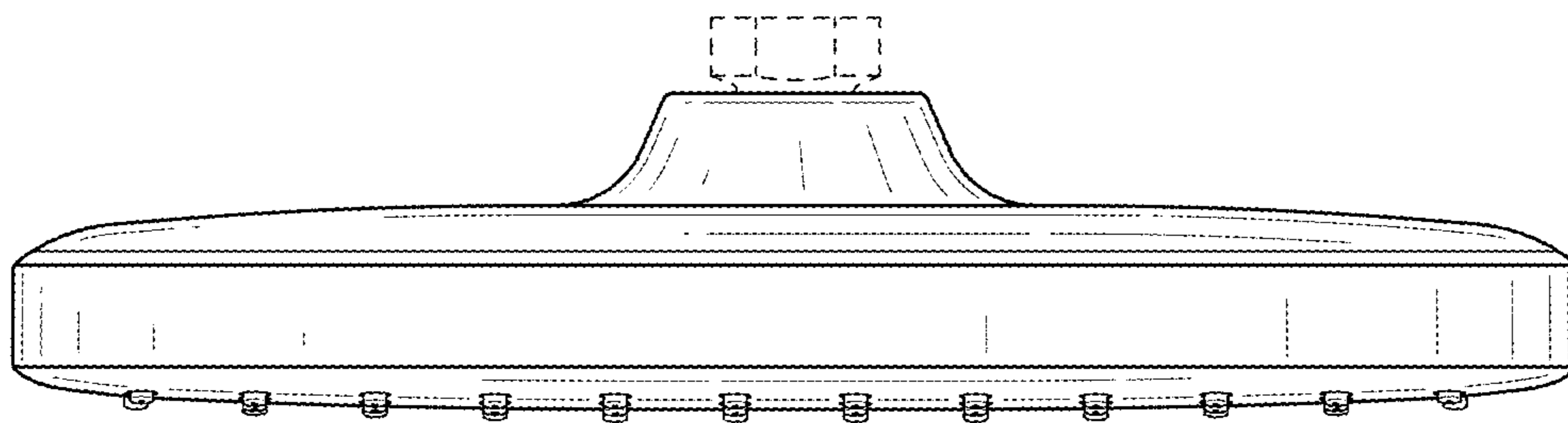


FIG.2

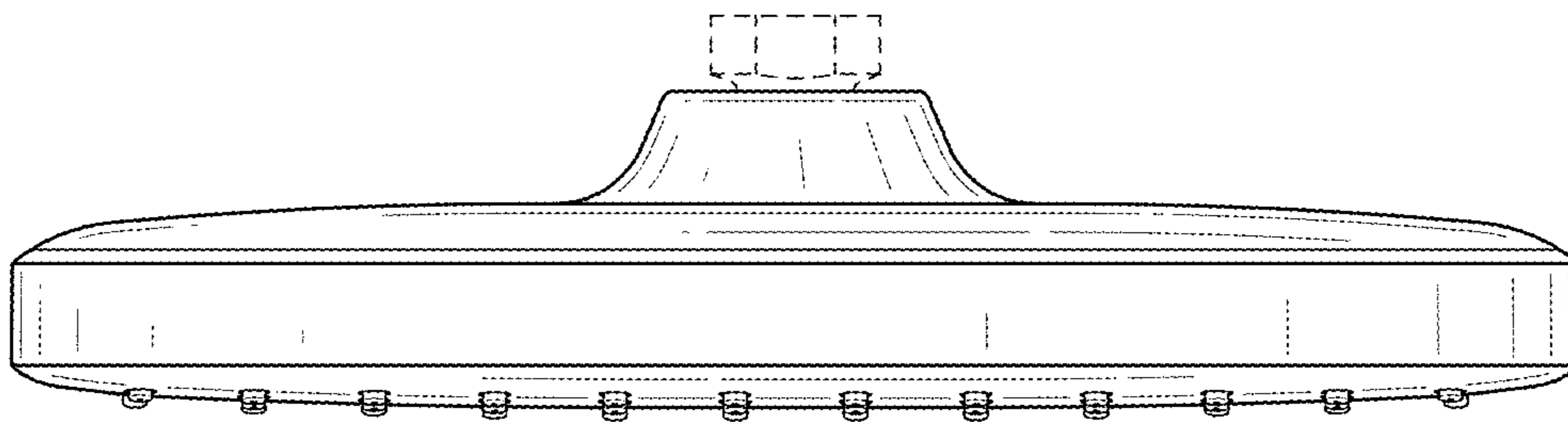


FIG.3

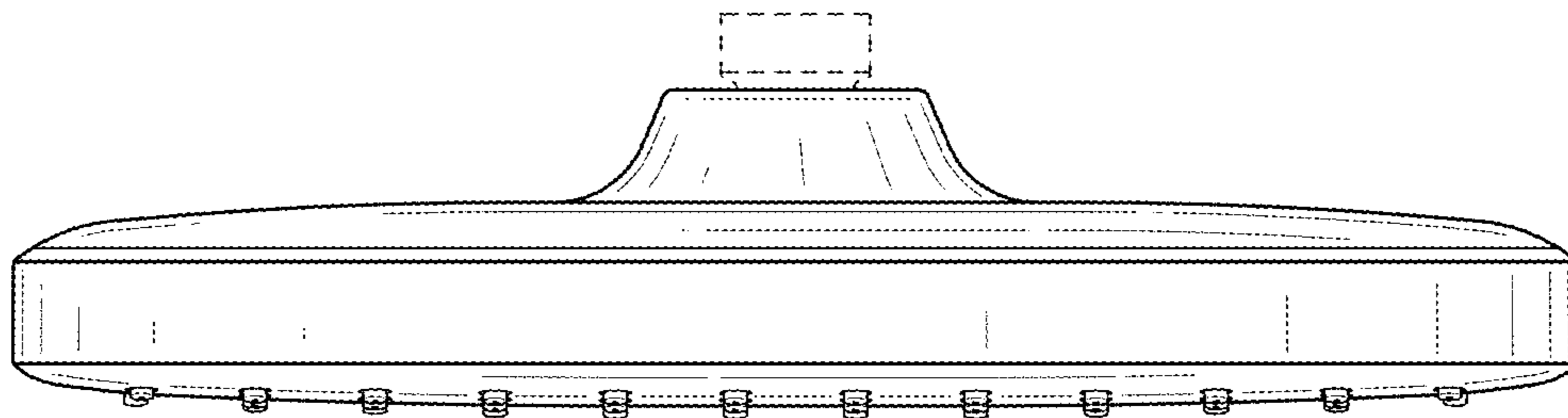


FIG.4

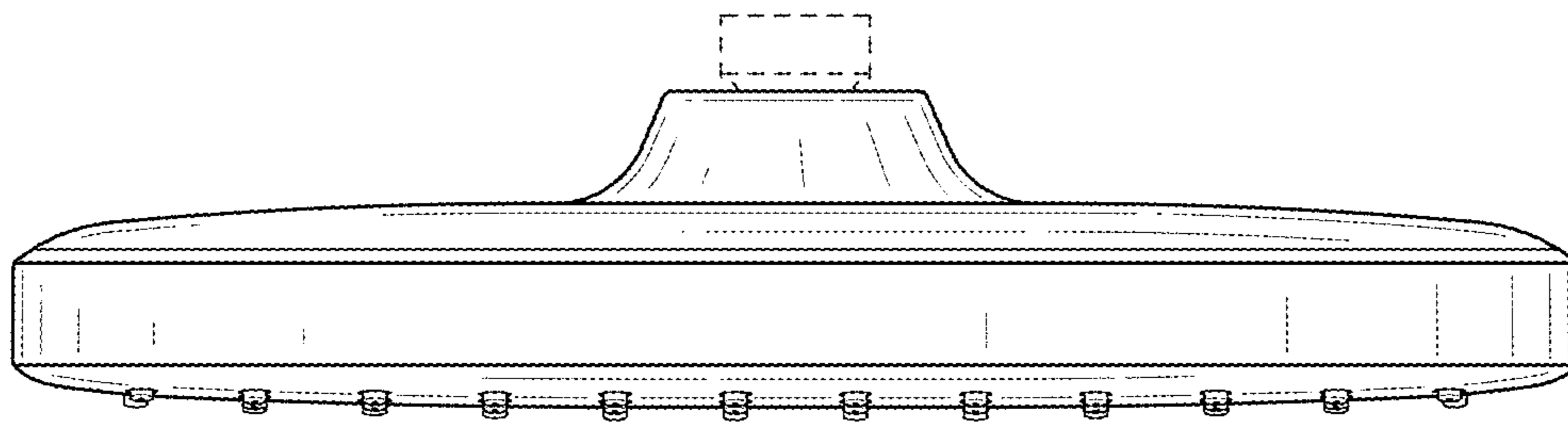


FIG.5

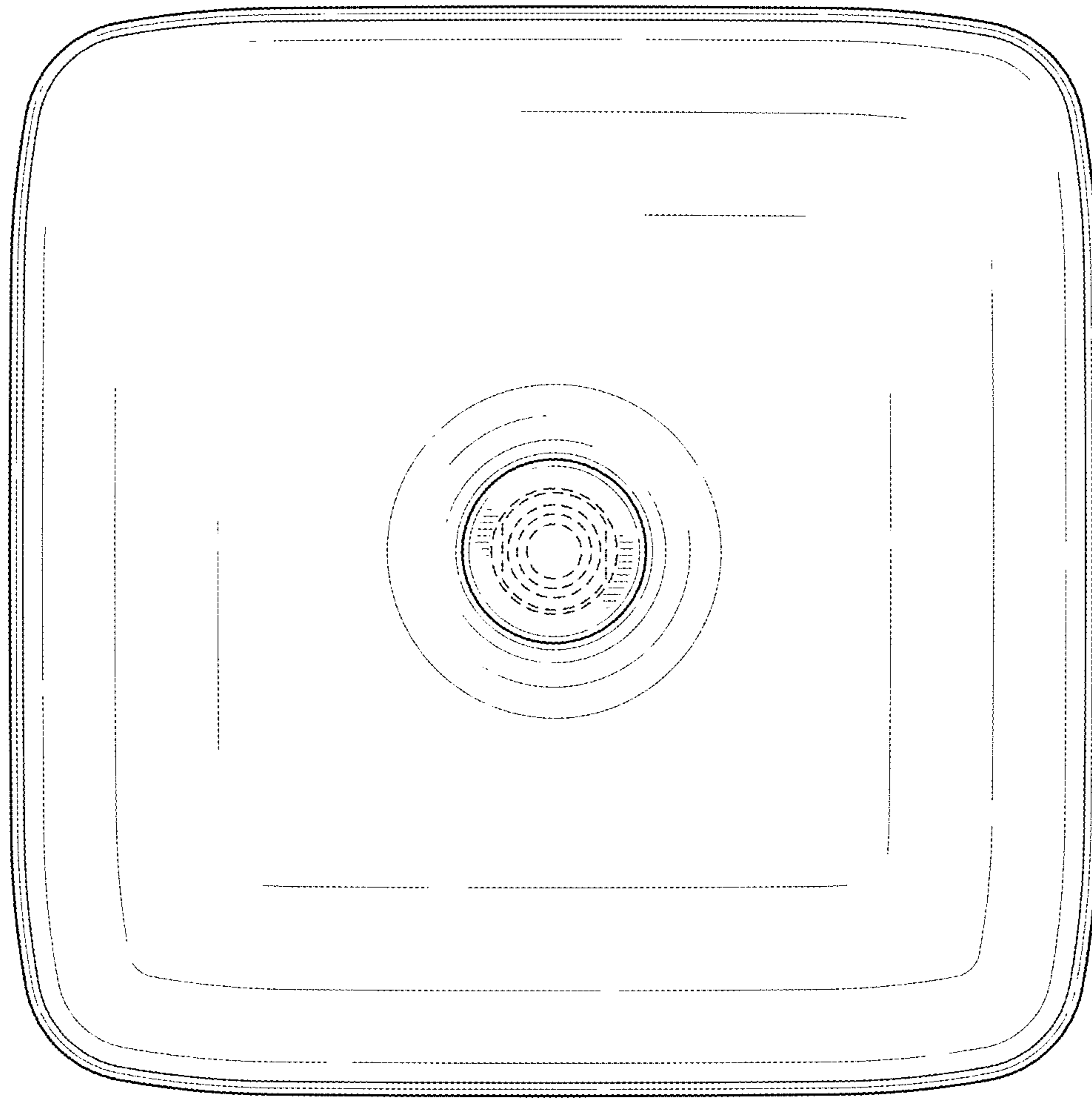


FIG.6



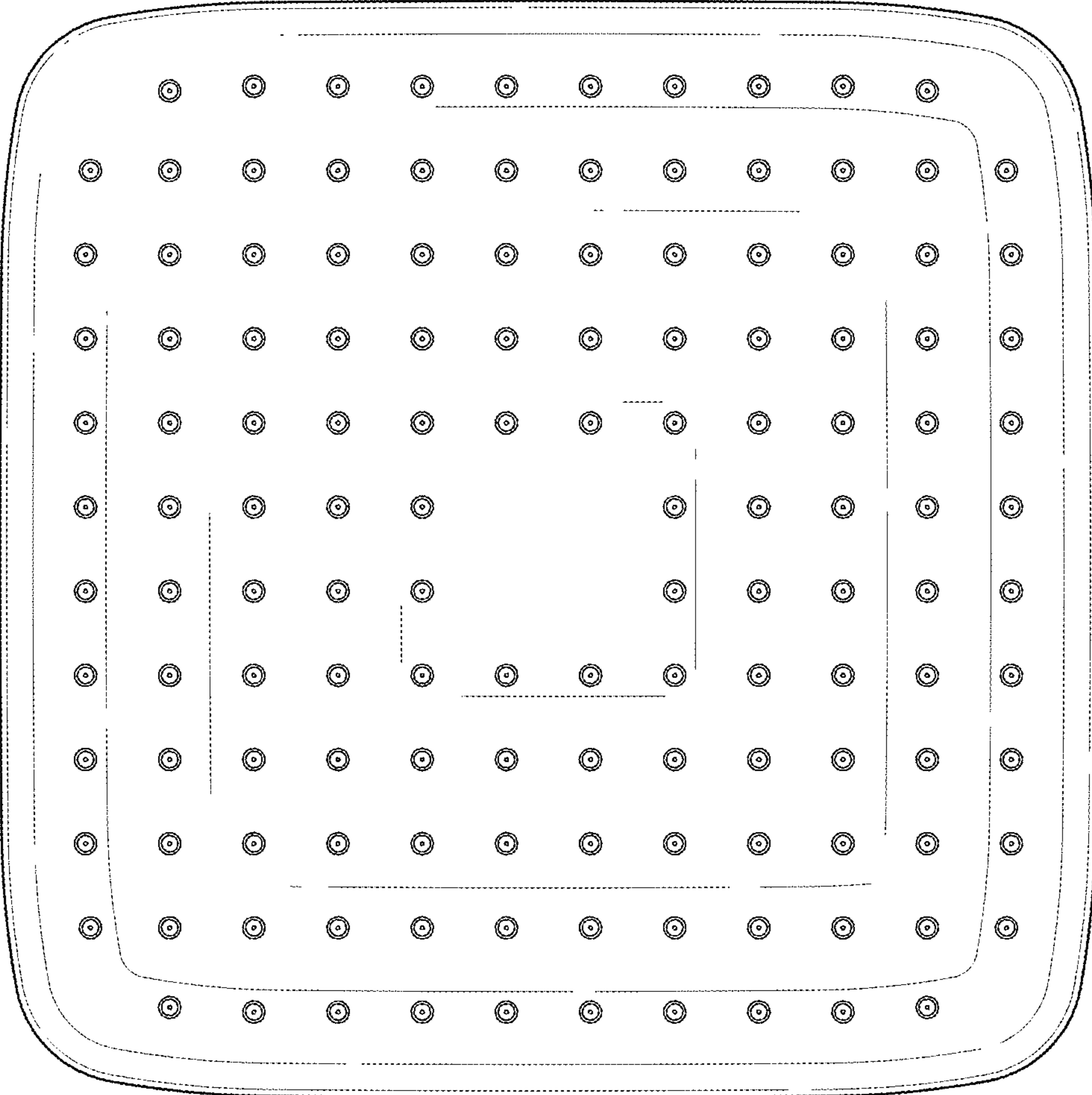


FIG.7