



US00D933160S

(12) **United States Design Patent** (10) **Patent No.:** **US D933,160 S**  
**Ross** (45) **Date of Patent:** **\*\* Oct. 12, 2021**

(54) **FLUID CARTRIDGE**

(71) Applicant: **Graco Minnesota Inc.**, Minneapolis, MN (US)

(72) Inventor: **Daniel P. Ross**, Vadnais Heights, MN (US)

(73) Assignee: **Graco Minnesota Inc.**, Minneapolis, MN (US)

(\*\*) Term: **15 Years**

(21) Appl. No.: **29/710,788**

(22) Filed: **Oct. 25, 2019**

**Related U.S. Application Data**

(63) Continuation-in-part of application No. 29/698,843, filed on Jul. 19, 2019, now Pat. No. Des. 904,563.

(51) **LOC (13) Cl.** ..... **23-01**

(52) **U.S. Cl.**  
USPC ..... **D23/213**

(58) **Field of Classification Search**  
USPC ..... D23/207, 213, 214, 215, 223, 224, 226, D23/229, 230; D24/108, 224, 232  
CPC ..... A61H 9/0021; A61H 33/00; B05B 1/00; B05B 1/14; B05B 1/185; B05B 1/08; B05B 1/02; B05B 1/26; B05B 12/002; B05B 1/18; B05B 9/01  
See application file for complete search history.

(56) **References Cited**

**U.S. PATENT DOCUMENTS**

- 4,437,103 A \* 3/1984 Ikeda ..... B41J 2/162 239/601
- D305,360 S \* 1/1990 Fechtner ..... D24/226
- D309,015 S \* 7/1990 Fechtner ..... D24/224
- D638,518 S \* 5/2011 Herre ..... D23/213
- D676,544 S \* 2/2013 Blocher ..... D24/108
- D693,427 S \* 11/2013 Jones ..... D23/213
- D733,455 S \* 7/2015 Watson ..... D6/542

- D749,693 S \* 2/2016 Evans ..... D23/213
- D866,747 S \* 11/2019 Tucker ..... D24/108
- D904,563 S \* 12/2020 Ross ..... D23/213
- D908,186 S \* 1/2021 Iyasu ..... D23/207
- D908,204 S \* 1/2021 Casiello ..... D24/108
- D914,907 S \* 3/2021 Wang ..... D24/224
- 10,940,493 B2 \* 3/2021 Levake ..... B05B 1/00
- 11,007,545 B2 \* 5/2021 Dawson ..... B05B 9/01

(Continued)

**OTHER PUBLICATIONS**

<https://christianfab.com/graco-fusion-proconnect-replacement-cartridge-3-pack-pc/> (Year: 2019).\*

(Continued)

*Primary Examiner* — Jack Reickel

*Assistant Examiner* — Keith J Wilson

(74) *Attorney, Agent, or Firm* — Kinney & Lange, P.A.

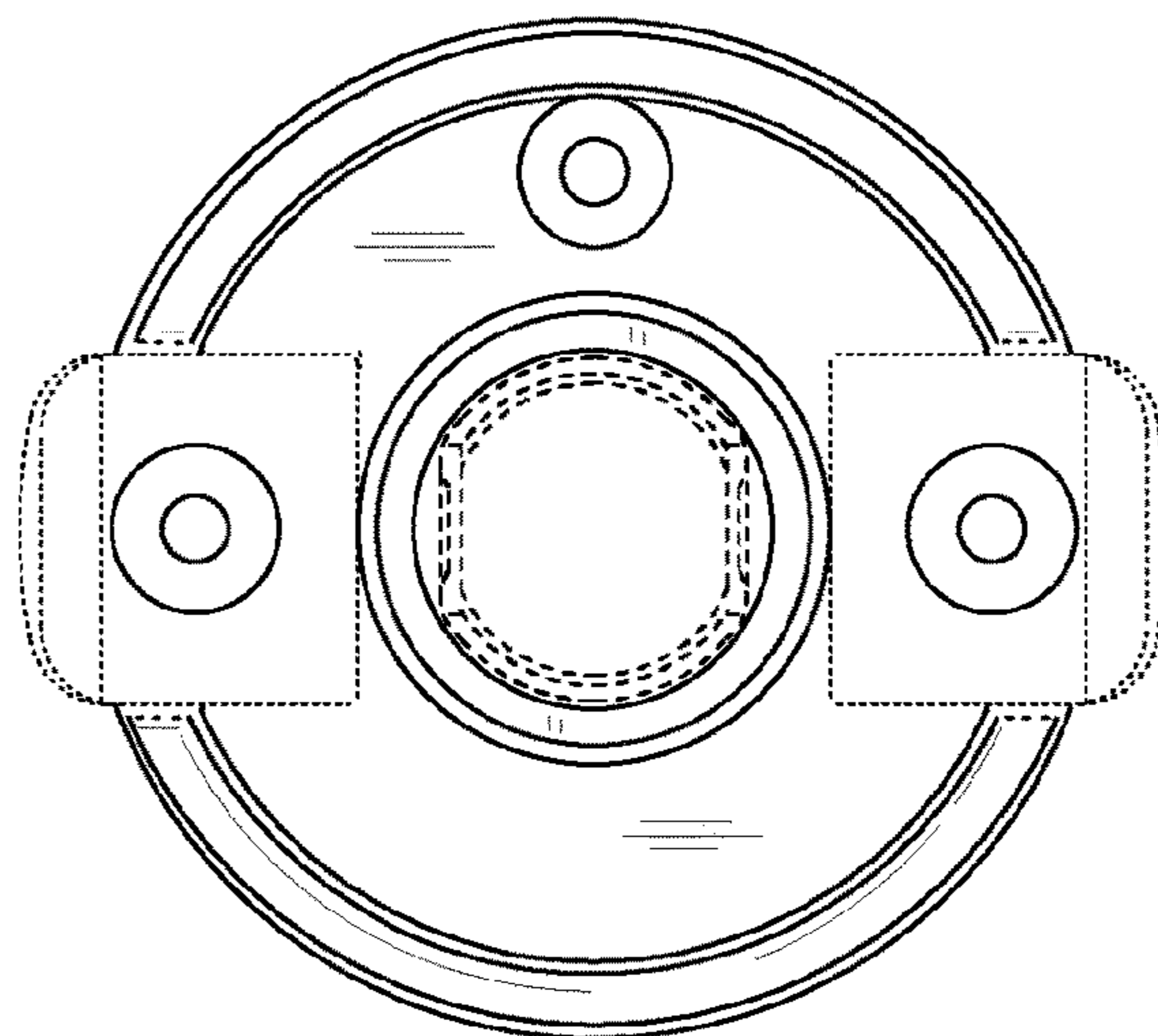
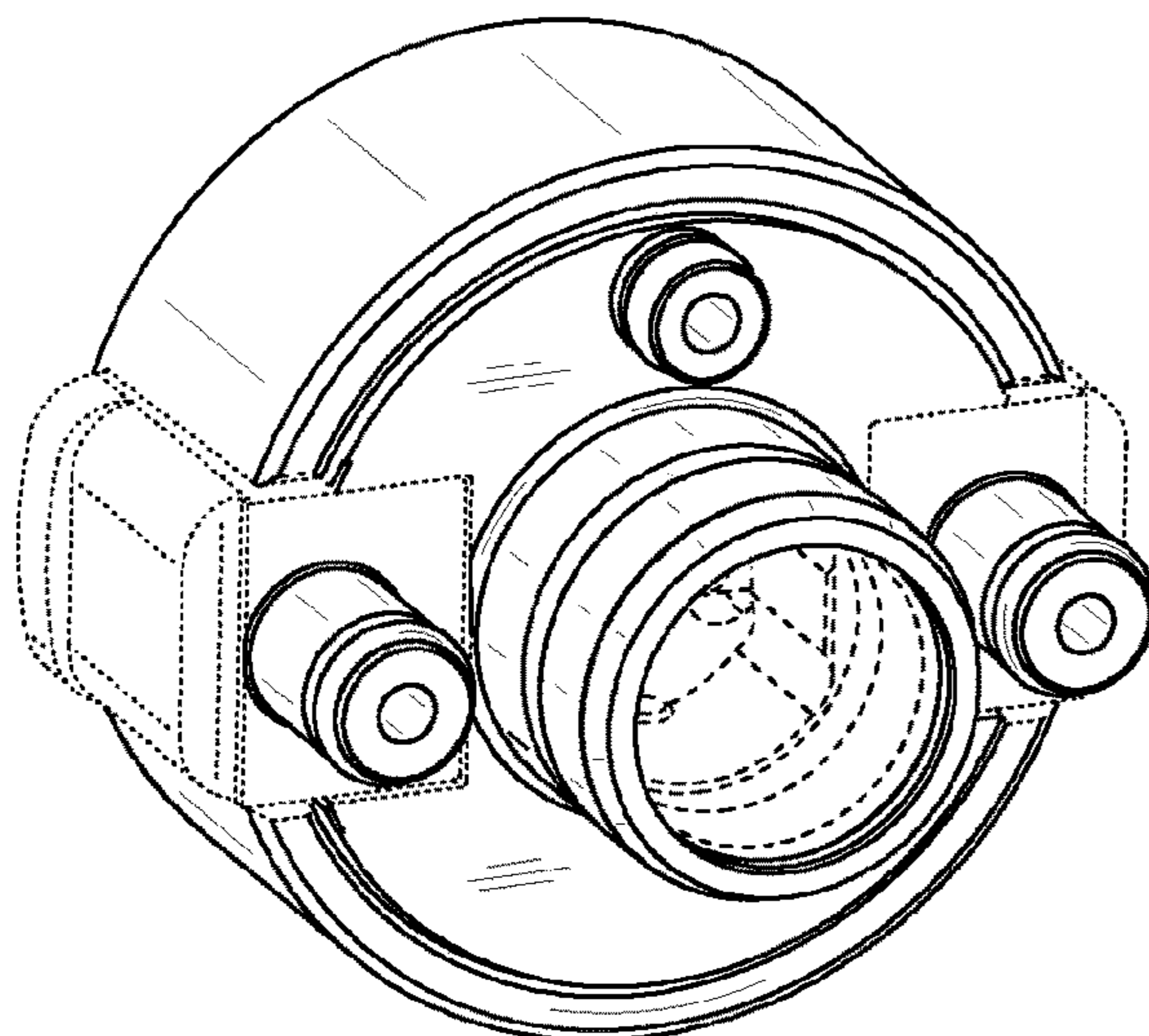
(57) **CLAIM**

The ornamental design for a fluid cartridge, as shown and described.

**DESCRIPTION**

FIG. 1 is a perspective view of a consumable fluid head cartridge;  
 FIG. 2 is a rear elevational view of the consumable fluid head cartridge;  
 FIG. 3 is a front elevational view of the consumable fluid head cartridge;  
 FIG. 4 is a left side view of the consumable fluid head cartridge;  
 FIG. 5 is a right side view of the consumable fluid head cartridge;  
 FIG. 6 is a top plan view of the consumable fluid head cartridge; and,  
 FIG. 7 is a bottom plan view of the consumable fluid head cartridge.  
 The broken lines shown represent portions of a fluid cartridge and form no part of the claimed design.

**1 Claim, 3 Drawing Sheets**



(56)

**References Cited**

## U.S. PATENT DOCUMENTS

D921,152 S \* 6/2021 Blum ..... D23/213  
2013/0155156 A1 \* 6/2013 Harvey ..... B41J 2/1752  
347/86  
2017/0356582 A1 \* 12/2017 Pappalardo ..... F16L 37/0848  
2020/0408185 A1 \* 12/2020 Edenhalm ..... A47L 15/0065  
2021/0007928 A1 \* 1/2021 Howe ..... A61H 9/0021  
2021/0076895 A1 \* 3/2021 He ..... A47L 13/142  
2021/0138499 A1 \* 5/2021 Hazel ..... B05B 15/14  
2021/0148496 A1 \* 5/2021 Vallo ..... B05B 9/01

## OTHER PUBLICATIONS

Graco Fusion AP Gun A Side Cartridge w/Stainless Side Seals, Jul. 17, 2015, Amazon.com, Jun. 11, 2021 <https://www.amazon.com/Graco-Fusion-Cartridge-Stainless-246349/dp/B008BVR4BS> (Year: 2015).\*

Graco Fusion CS Spray Gun, Dec. 3, 2013, Youtube.com, Jun. 11, 2021 <https://www.youtube.com/watch?v=Y1ln23nKwfo> (Year: 2013).\*

D'light Online HD15 Liquid Votive Fuel Cells 15 Hour Disposable Liquid Disposable in Clear Plastic Fuel Cells, 1015//2015, Amazon.com, Jun. 11, 2021 <https://www.amazon.com/dp/B00IRHZPEY> (Year: 2015).\*

Sloan WES-150 Waterfree Urinal Cartridge, May 27, 2016, faucetdepot.com, Jun. 11, 2021 [https://www.faucetdepot.com/faucetdepot/ProductDetail.asp?Product=89957&AffiliateID=GoogleDirectFeed&gclid=EAIalQobChMII4KHkMaQ8QIVkuazCh1JDwsNEAkYA-S ABEGJffvD\\_BwE](https://www.faucetdepot.com/faucetdepot/ProductDetail.asp?Product=89957&AffiliateID=GoogleDirectFeed&gclid=EAIalQobChMII4KHkMaQ8QIVkuazCh1JDwsNEAkYA-S ABEGJffvD_BwE) (Year: 2016).\*

First Examination Report for IN Application No. 326141-001, dated Feb. 18, 2020, pp. 2.

\* cited by examiner

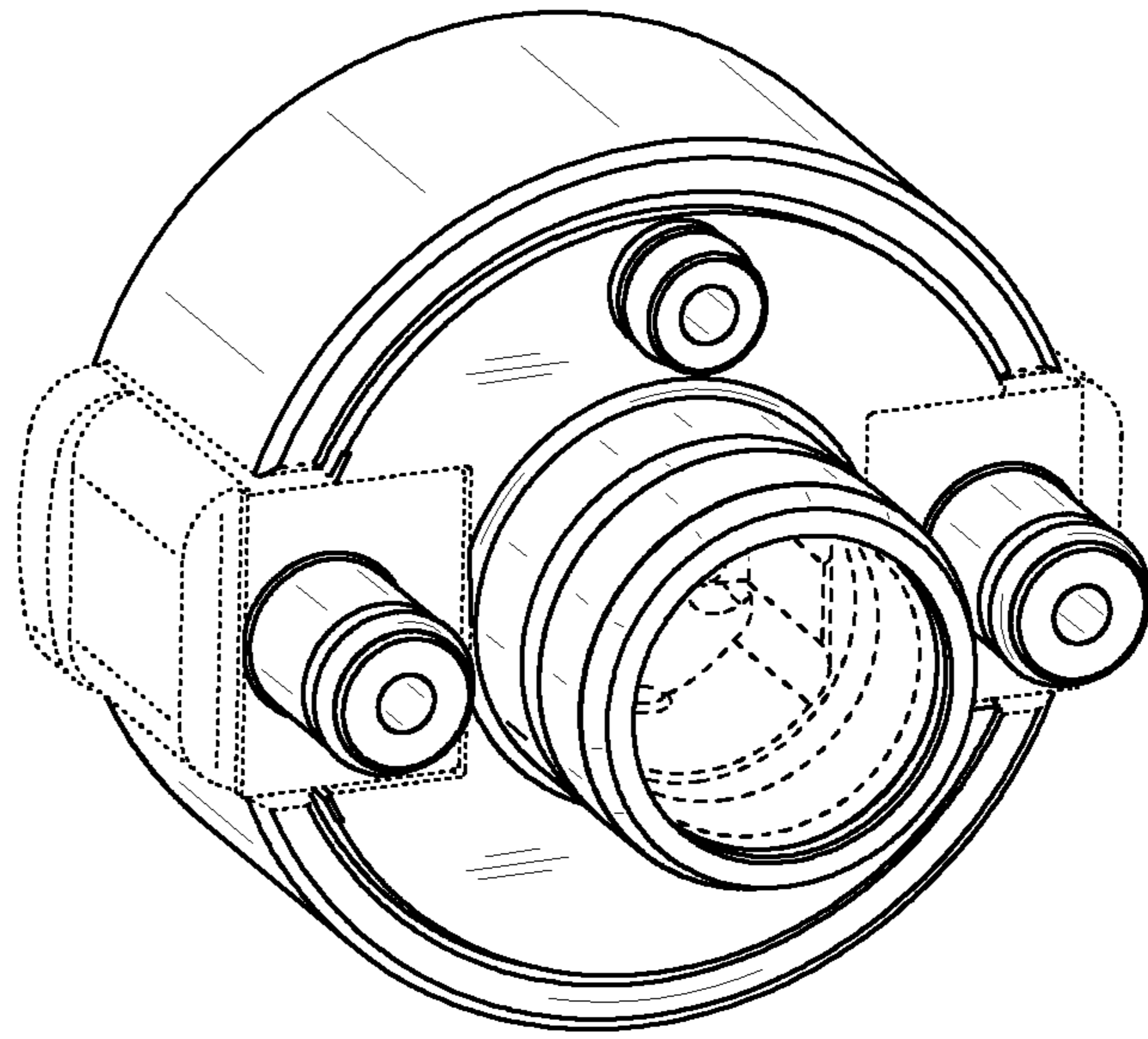


Fig. 1

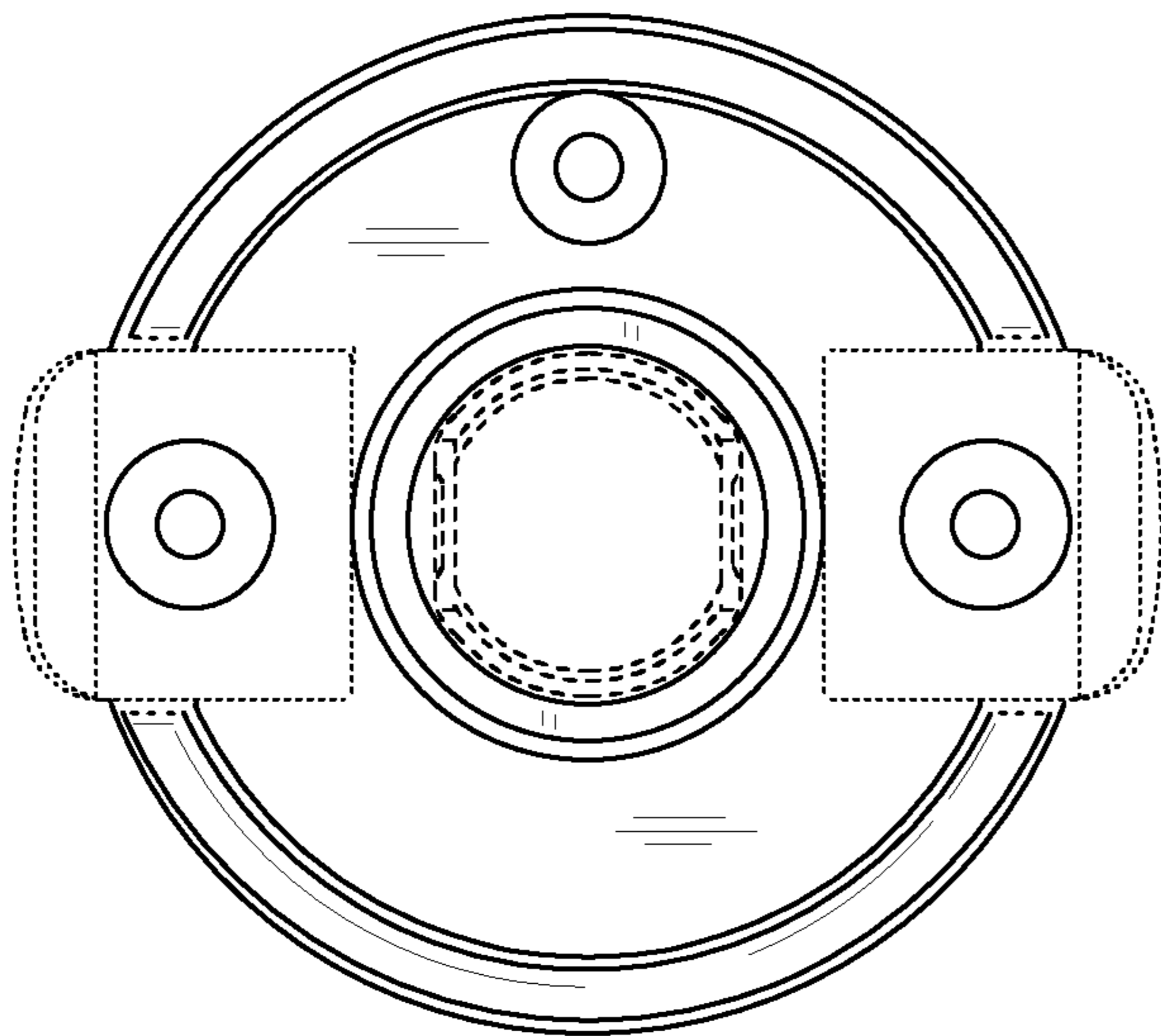


Fig. 2

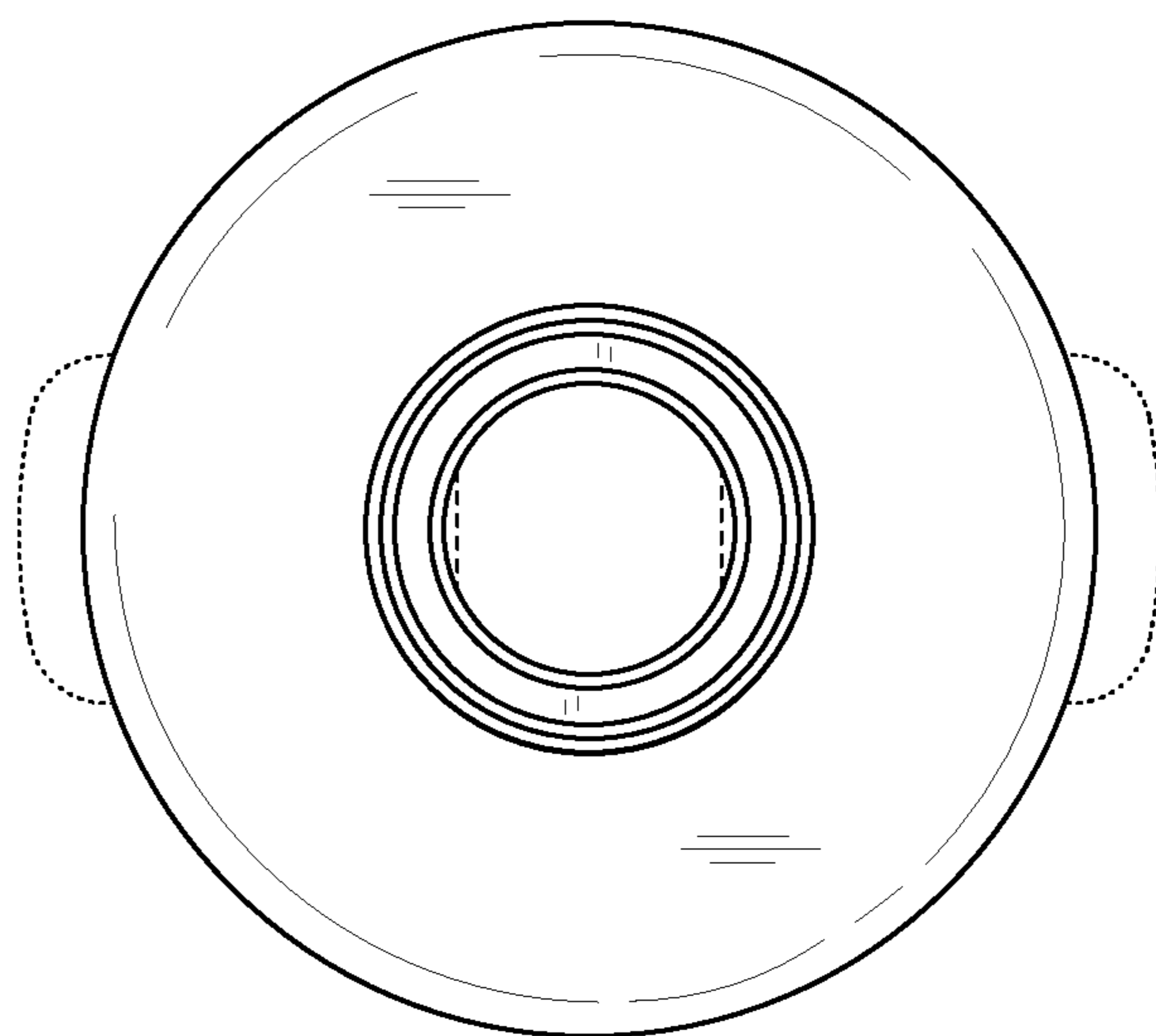


Fig. 3

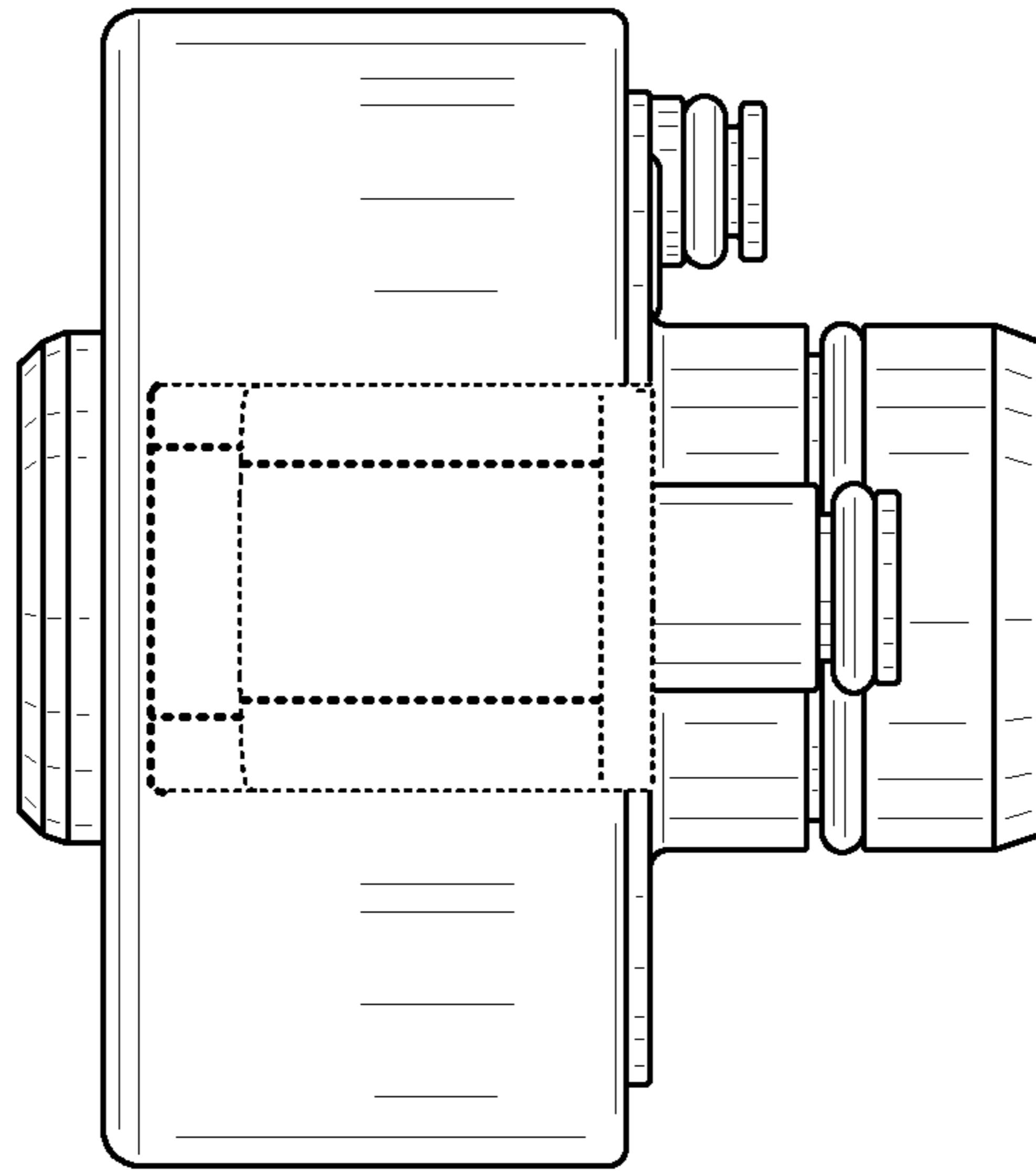


Fig. 4

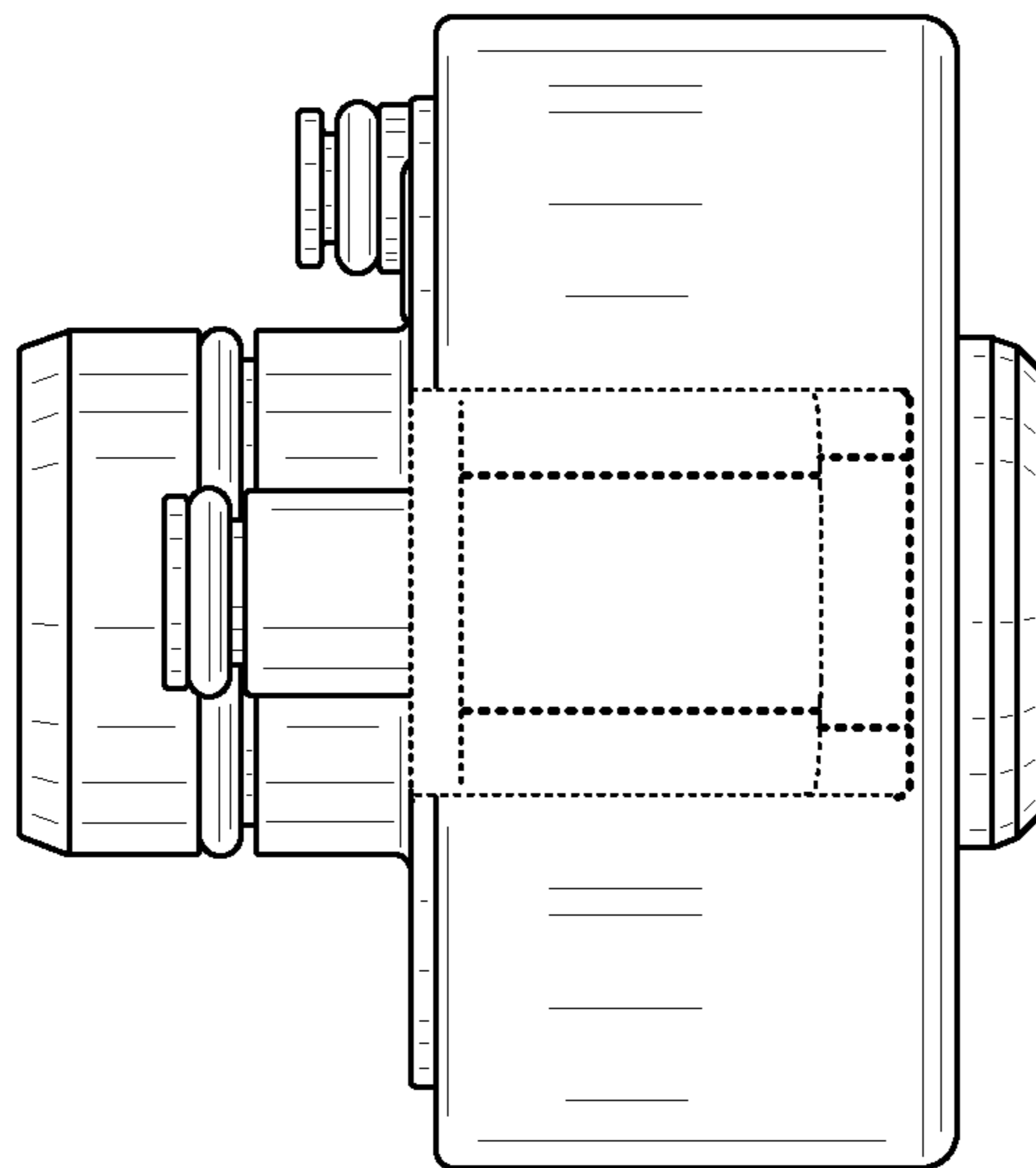


Fig. 5

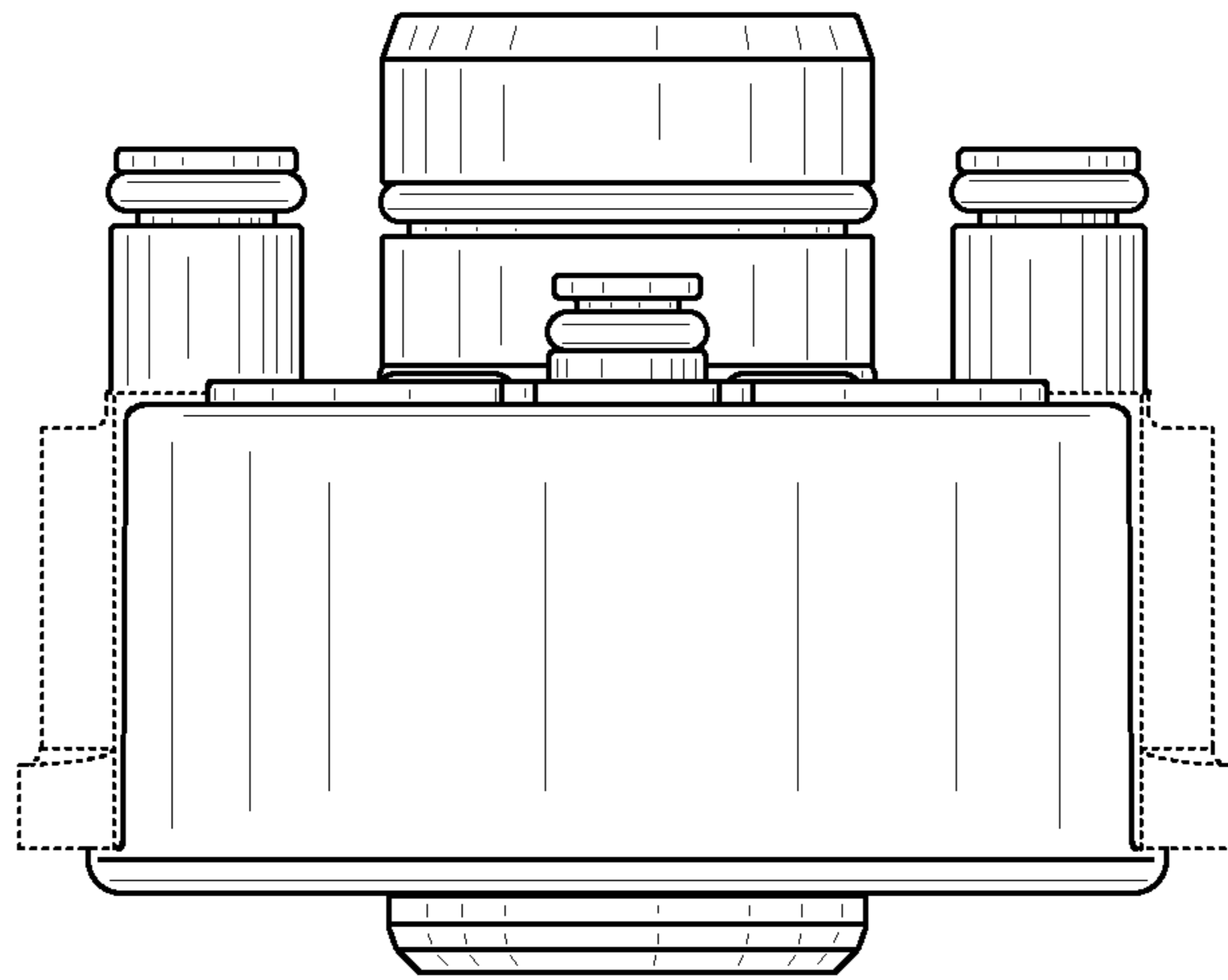


Fig. 6

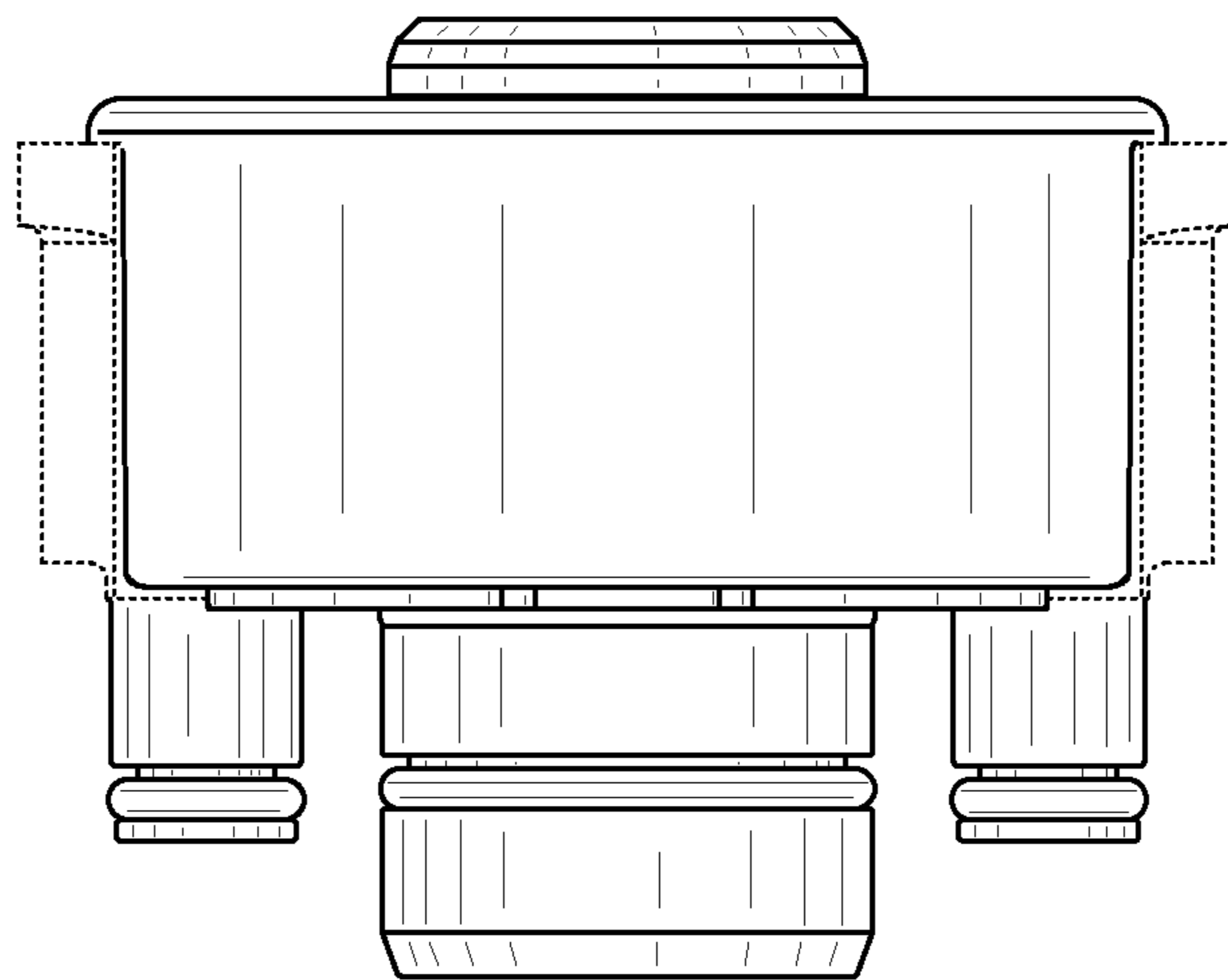


Fig. 7