



US00D933158S

(12) **United States Design Patent** (10) **Patent No.:** **US D933,158 S**
Park (45) **Date of Patent:** **** Oct. 12, 2021**

(54) **NOZZLE FOR AUTOMOBILE PAINTING**

(71) Applicant: **Sang Eun Park**, Hwaseong-si (KR)

(72) Inventor: **Sang Eun Park**, Hwaseong-si (KR)

(**) Term: **15 Years**

(21) Appl. No.: **29/659,797**

(22) Filed: **Aug. 13, 2018**

(30) **Foreign Application Priority Data**

Feb. 12, 2018 (KR) 30-2018-0007527

(51) **LOC (13) Cl.** **23-01**

(52) **U.S. Cl.**
USPC **D23/213**

(58) **Field of Classification Search**
USPC D23/213, 214, 218, 227, 229, 254, 261;
D8/350, 352, 399; D21/443, 444;
D30/119, 121, 123, 124, 131, 132, 160;
D24/130; D15/144, 144.1, 144.2
CPC B05B 15/70; B05B 15/74; B05B 15/00;
A01G 3/06; A63F 13/10; A62C 37/08;
A62C 31/02

See application file for complete search history.

(56) **References Cited**

U.S. PATENT DOCUMENTS

- D287,996 S * 1/1987 Carder, Sr. D23/227
- D418,590 S * 1/2000 Tracy D23/213
- D447,214 S * 8/2001 Taylor D23/213
- D604,801 S * 11/2009 Zore D23/213
- 7,621,467 B1 * 11/2009 Garcia B05B 1/267
239/457
- D702,124 S * 4/2014 Harrower B05B 15/001
D9/448
- D703,482 S * 4/2014 d'Amore D7/397
- D705,652 S * 5/2014 Harrower B05B 15/001
D9/448
- D724,696 S * 3/2015 Barmoav D23/214

- D749,693 S * 2/2016 Evans D23/213
- 9,314,804 B1 * 4/2016 Harrower B05B 1/28
- D755,923 S * 5/2016 Kosaka D23/213
- D803,992 S * 11/2017 Huber E04D 13/0409
D23/261
- D834,685 S * 11/2018 Gerger D23/261
- D837,950 S * 1/2019 Santos D23/261
- D858,695 S * 9/2019 Chen D23/209

* cited by examiner

Primary Examiner — John A Voytek

(74) *Attorney, Agent, or Firm* — Hauptman Ham, LLP

(57) **CLAIM**

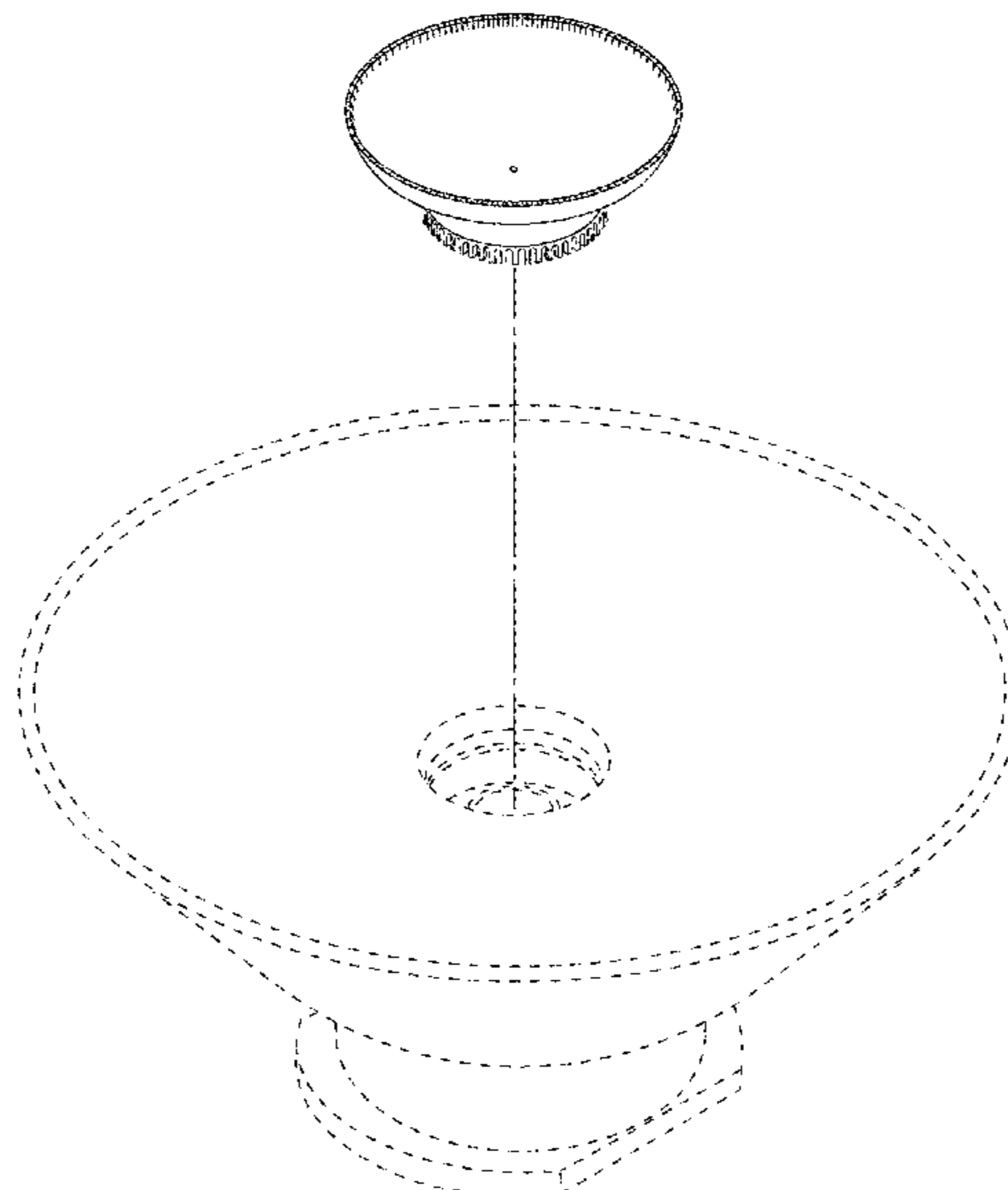
A new, original, ornamental design for a nozzle for automobile painting, as shown and described.

DESCRIPTION

FIG. 1 is a perspective view of the nozzle for automobile painting having an inner body attached to an unclaimed external body;
 FIG. 2 is a front view thereof, the back view being a mirror image thereof;
 FIG. 3 is a left side view thereof, the right side view being a mirror image thereof;
 FIG. 4 is a top view thereof;
 FIG. 5 is a bottom view thereof;
 FIG. 6 is a cross-section view through section A-A' of FIG. 4;
 FIG. 7 is a perspective view of the nozzle for automobile painting detached from the unclaimed external body;
 FIG. 8 is an enlarged top view of the inner body thereof;
 FIG. 9 is an enlarged bottom view of the inner body thereof;
 and,
 FIG. 10 is an enlarged left side view of the inner body thereof.

The broken lines in the drawings show an unclaimed external body of the nozzle for automobile painting and form no part of the claimed design.

1 Claim, 10 Drawing Sheets



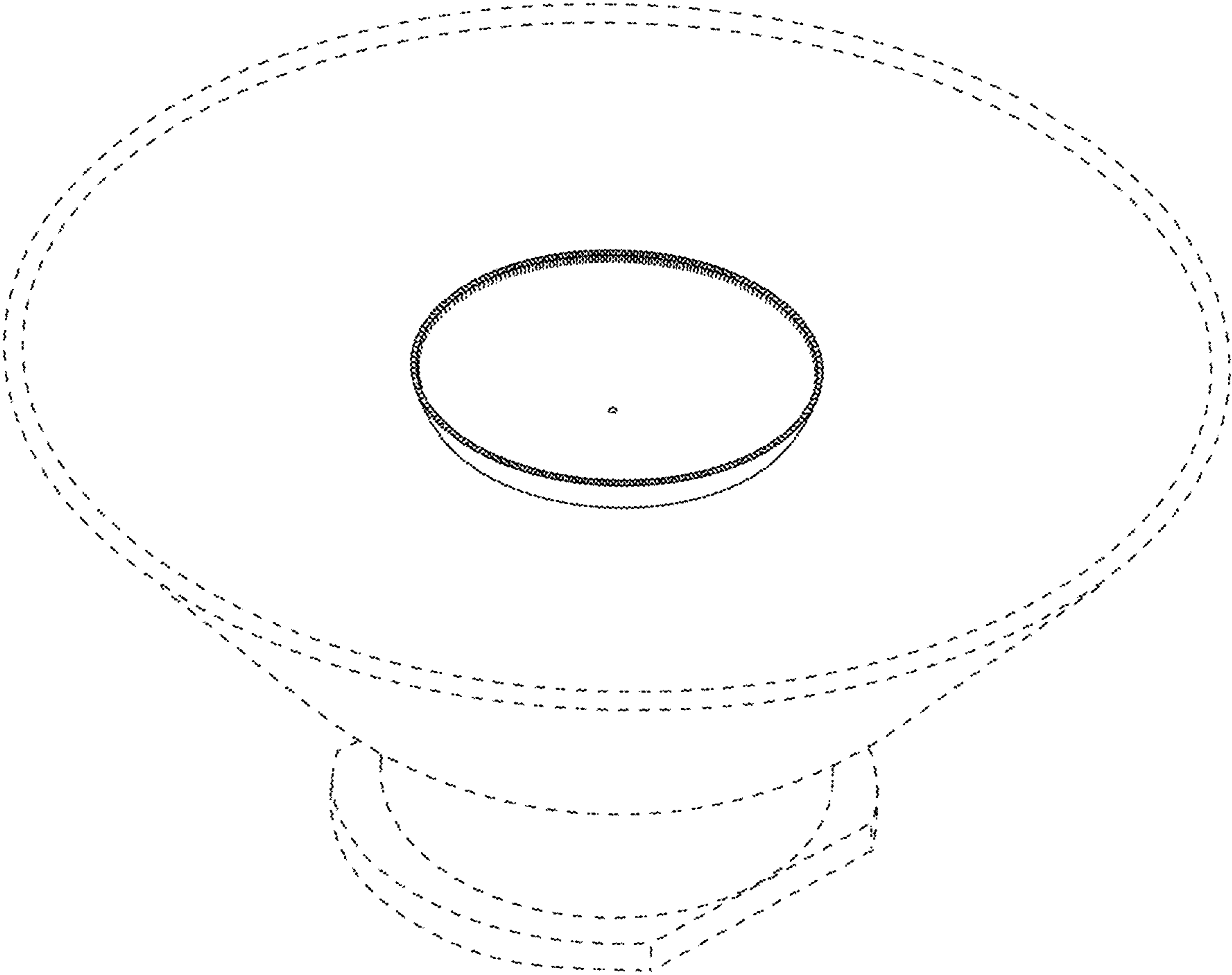


Fig. 1

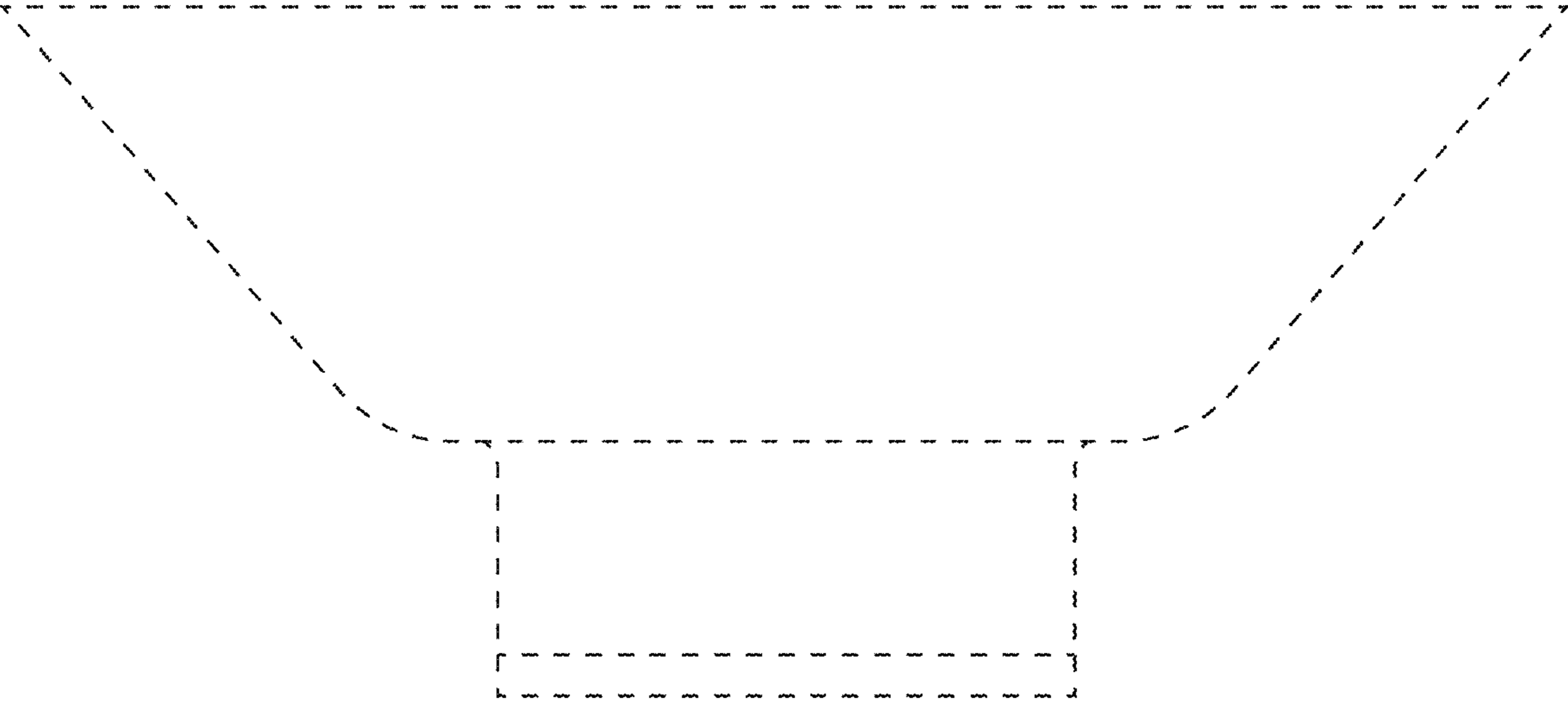


Fig. 2

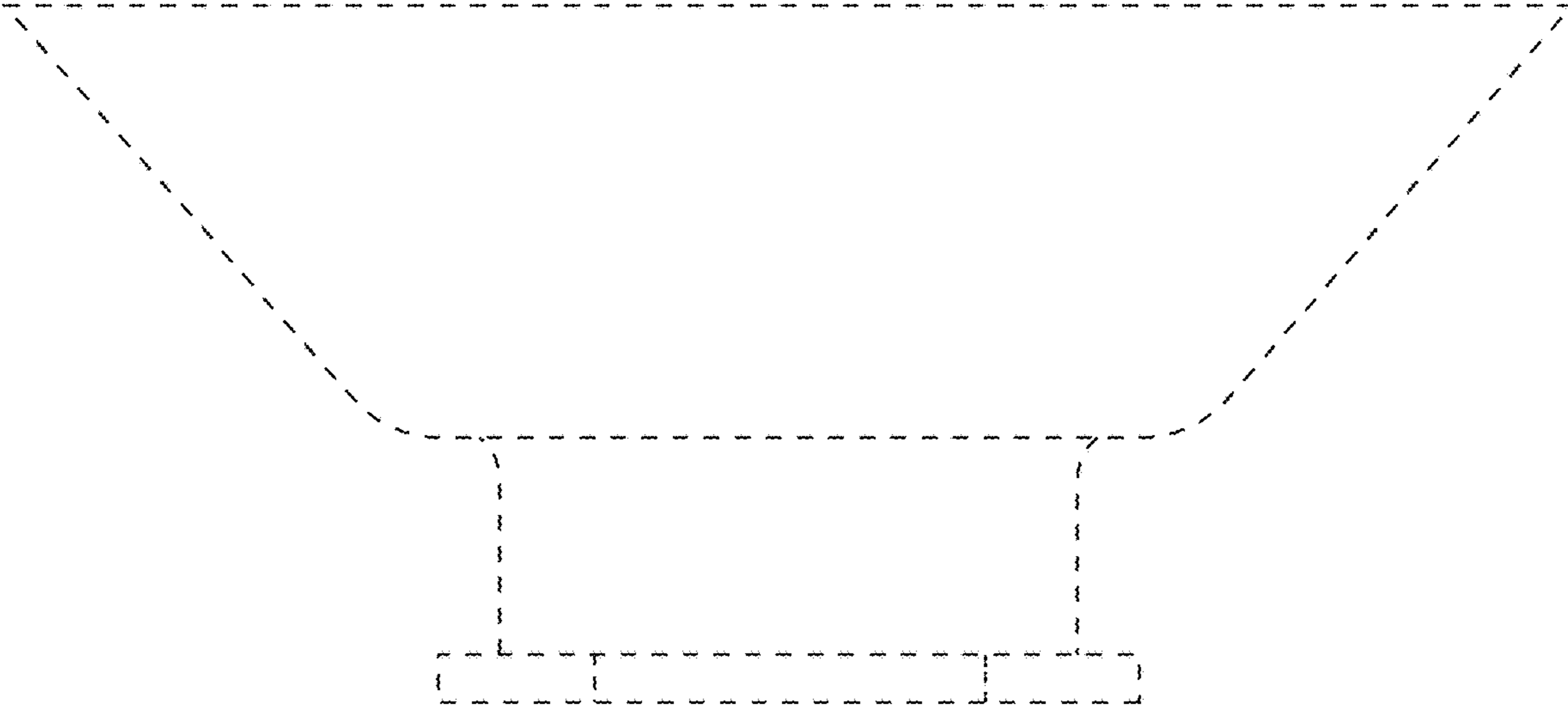


Fig. 3

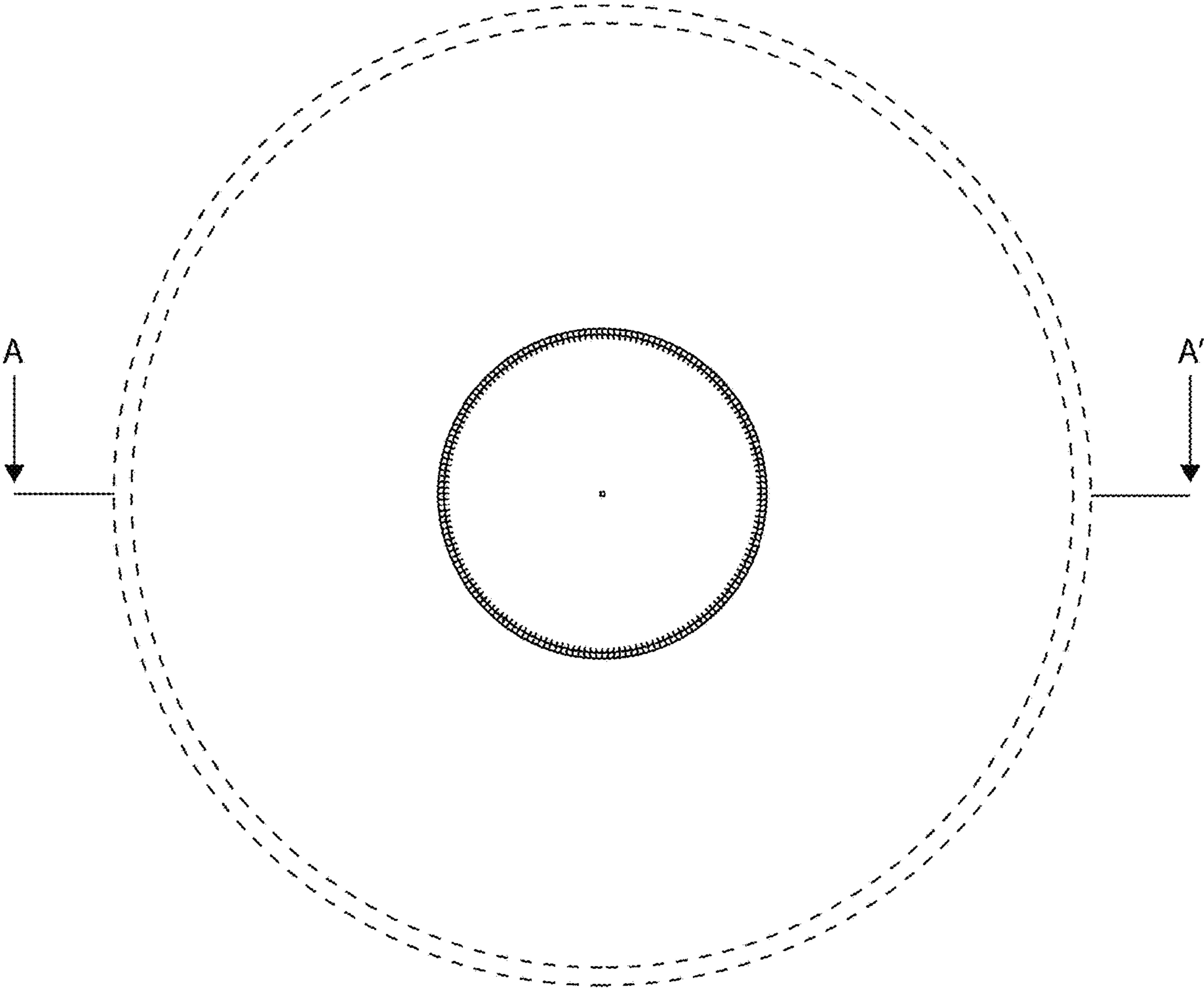


Fig. 4

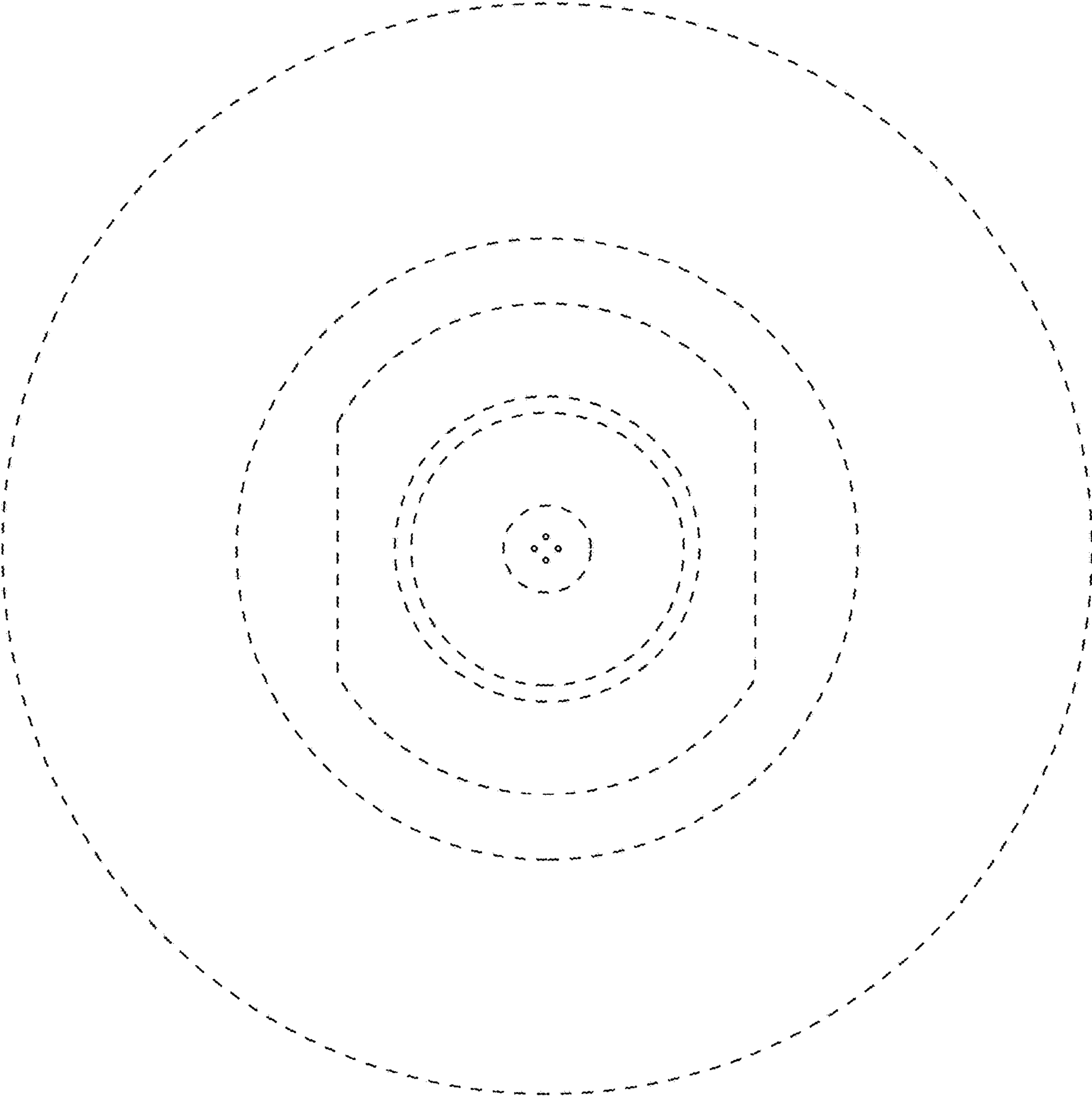


Fig. 5

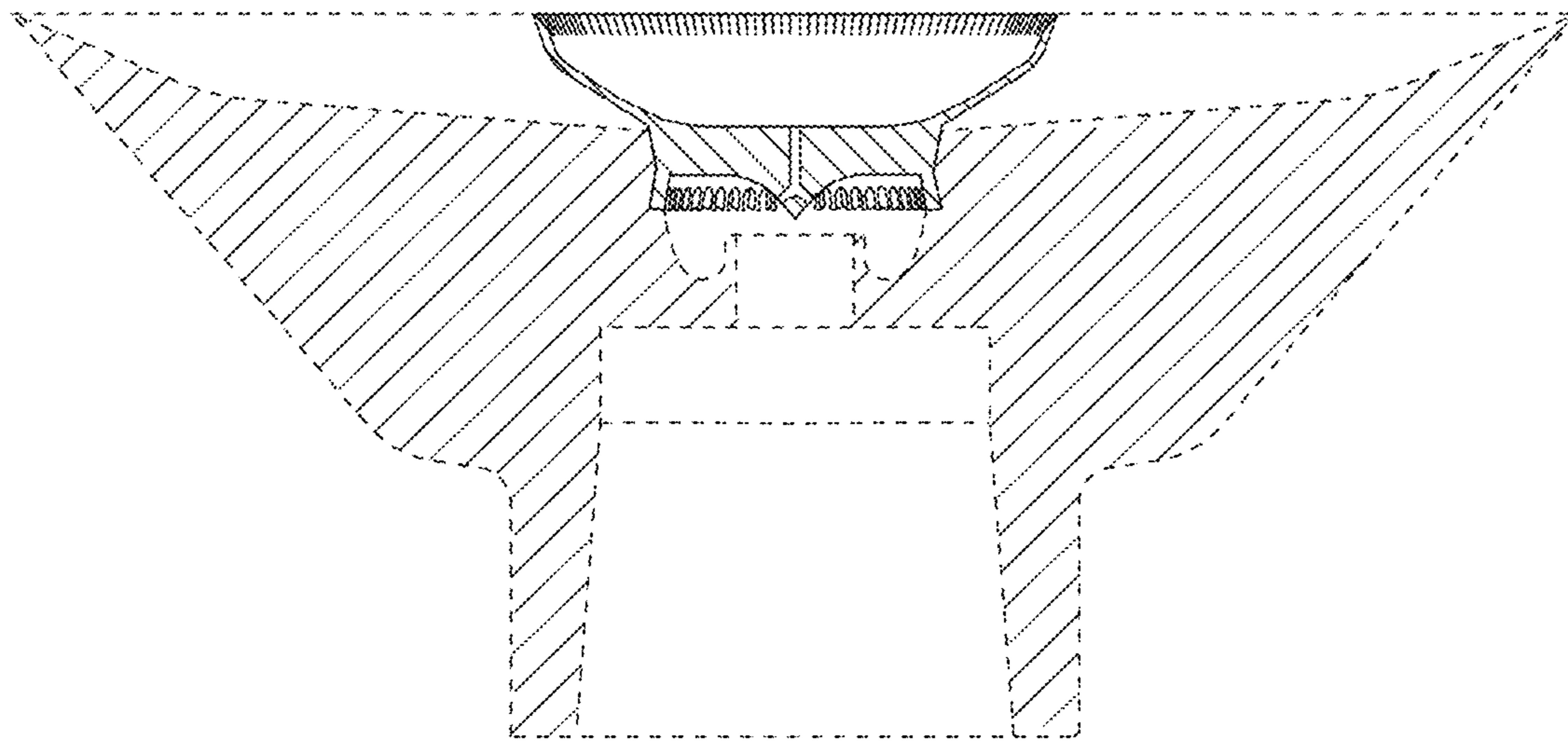


Fig. 6

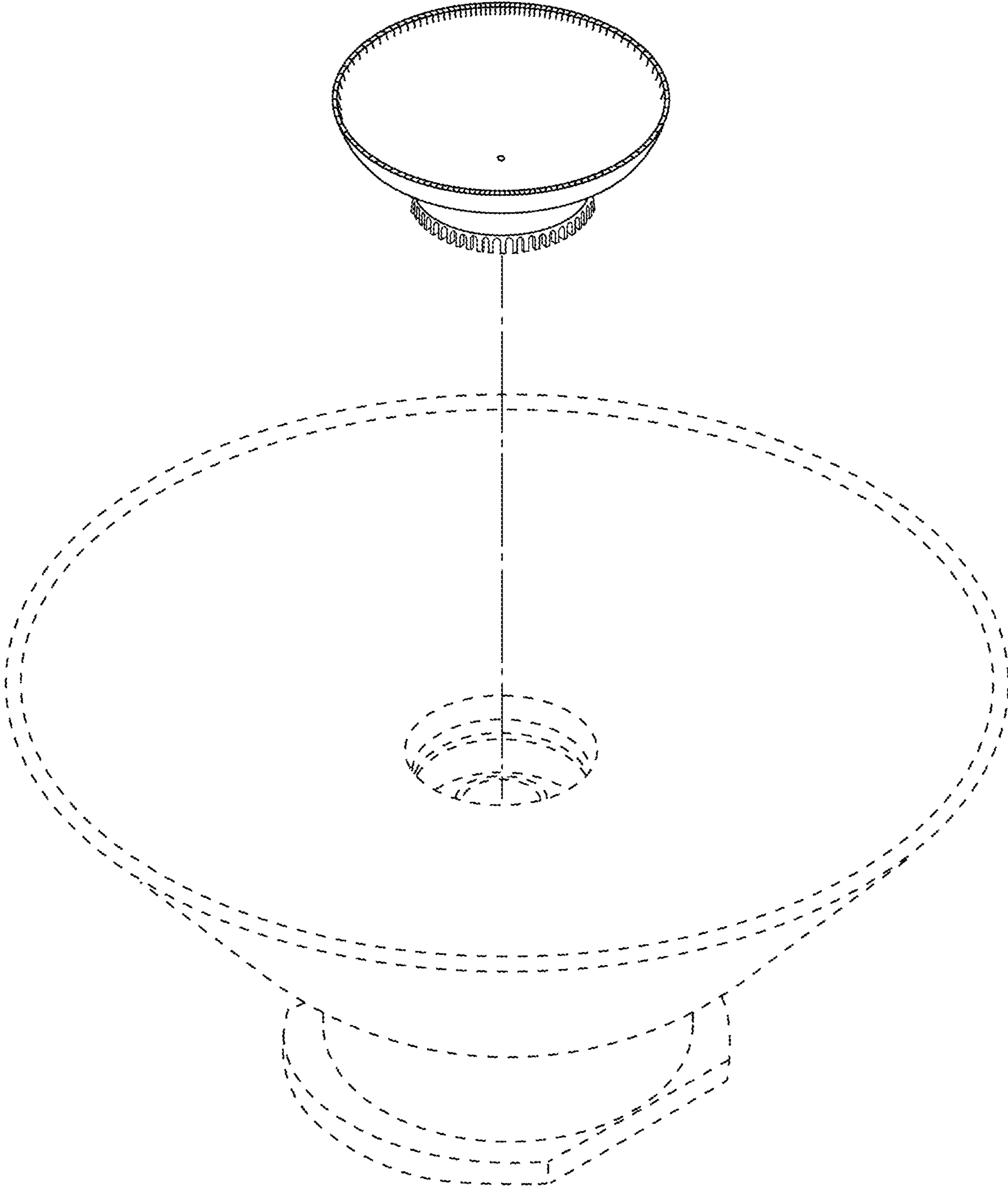


Fig. 7

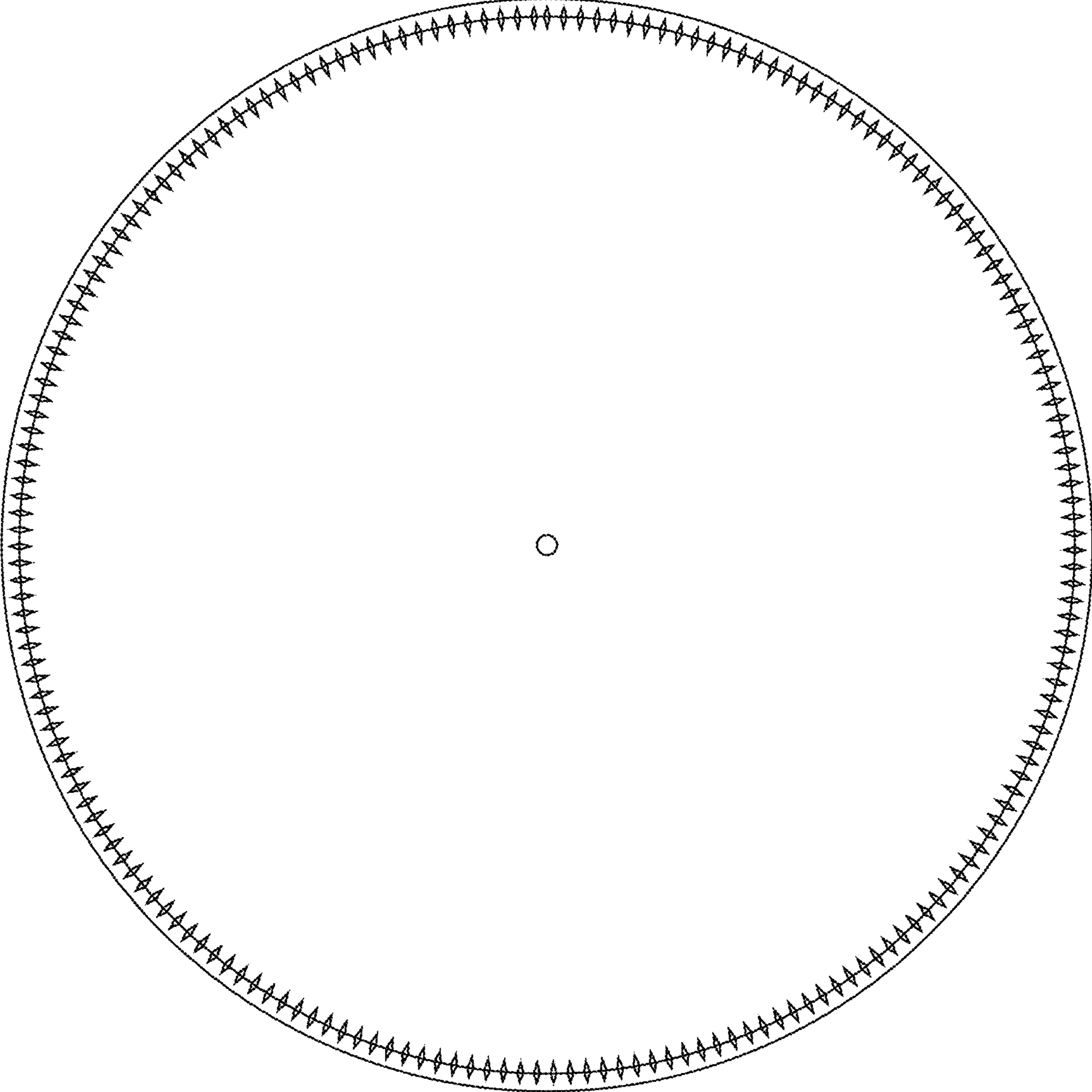


Fig. 8

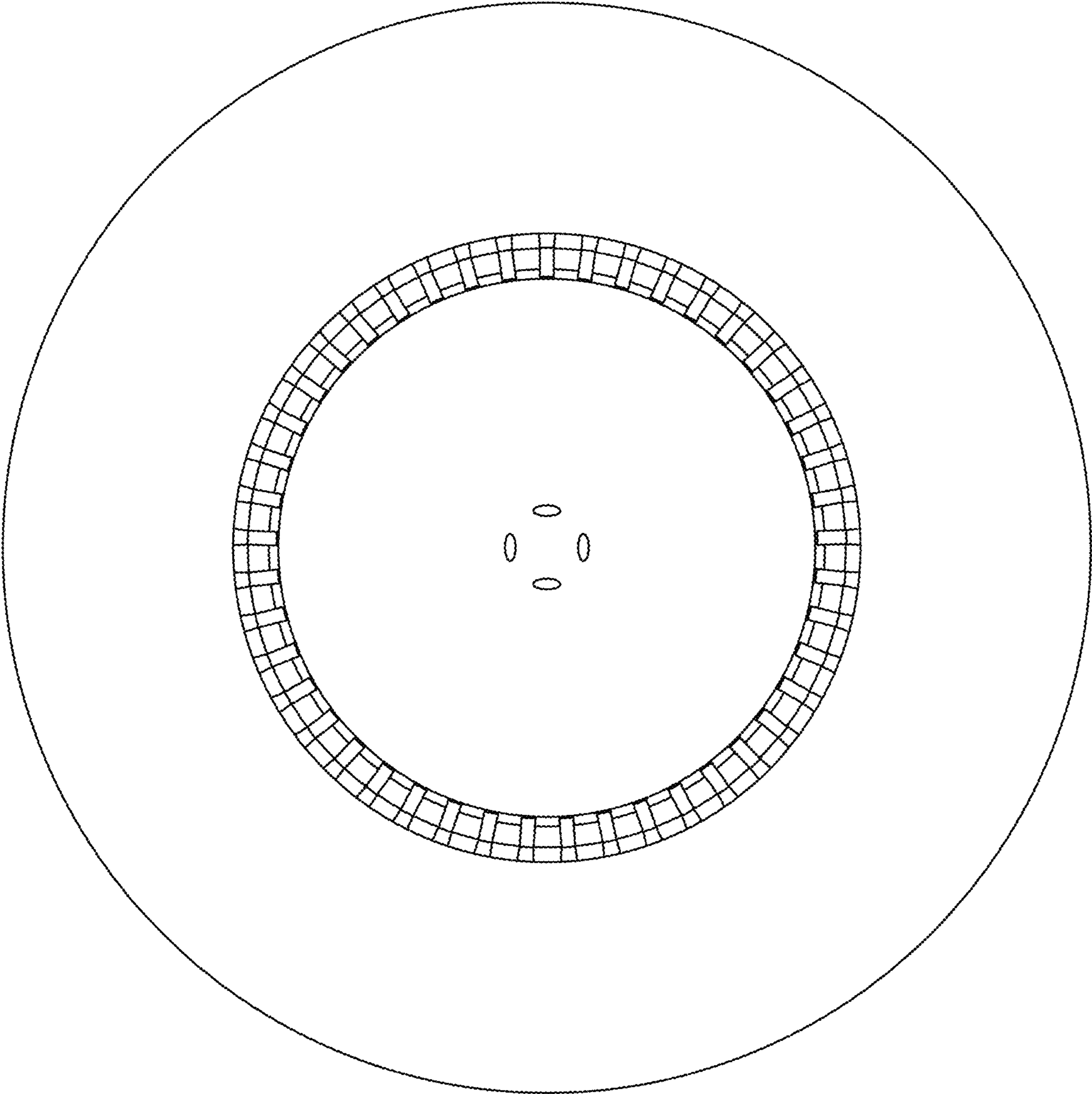


Fig. 9

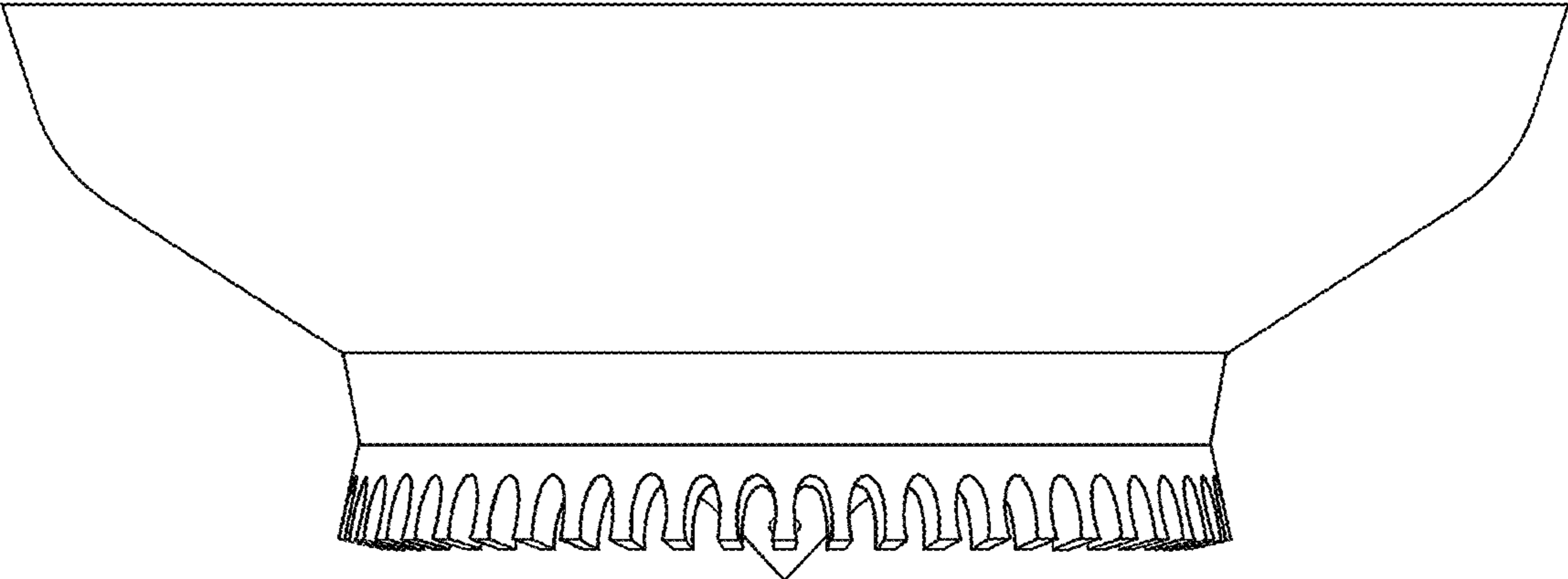


Fig. 10