



US00D933157S

(12) **United States Design Patent**
Reinecker

(10) **Patent No.:** **US D933,157 S**

(45) **Date of Patent:** **** Oct. 12, 2021**

(54) **FILTER CARTRIDGE**
(71) Applicant: **AS America, Inc.**, Piscataway, NJ (US)
(72) Inventor: **Greg Reinecker**, Brooklyn, NY (US)
(73) Assignee: **AS America, Inc.**, Piscataway, NJ (US)

(**) Term: **15 Years**

(21) Appl. No.: **29/727,281**

(22) Filed: **Mar. 10, 2020**

(51) **LOC (13) Cl.** **23-01**

(52) **U.S. Cl.**
USPC **D23/209**

(58) **Field of Classification Search**
USPC D23/207, 208, 209, 210
CPC B01D 61/00; B01D 63/00; C02F 1/002;
C02F 1/003; C02F 1/005; C02F 2307/02;
C02F 2307/04; C02F 2307/06; C02F
2307/10
See application file for complete search history.

(56) **References Cited**

U.S. PATENT DOCUMENTS

4,802,979	A *	2/1989	Medley, III	B01D 27/08	210/132
4,814,078	A *	3/1989	Stern	B01D 35/043	210/282
D313,266	S *	12/1990	Geneve	D23/209	
5,591,332	A *	1/1997	Reid	B01D 35/153	210/235
5,738,785	A *	4/1998	Brown	B01D 29/21	210/232
D406,874	S *	3/1999	Farley	D23/209	
D412,963	S *	8/1999	Nelsen	D23/209	
6,423,222	B1 *	7/2002	Shively	B01D 27/08	210/232
D462,108	S *	8/2002	Farley	D23/209	
6,537,453	B2 *	3/2003	Beard	B01D 27/04	123/196 A

8,419,818	B2 *	4/2013	Page	B01D 46/0005	55/503
9,109,721	B1 *	8/2015	Williams	B01D 35/147	
D803,349	S *	11/2017	Zou	D23/209	
10,046,981	B2 *	8/2018	Wilder	C02F 1/003	
2002/0158006	A1 *	10/2002	Thomas	B01D 29/21	210/440

(Continued)

OTHER PUBLICATIONS

“How to Install the American Standard Spectra Filtered Hand Shower System”, Jun. 24, 2020, YouTube, site visited May 24, 2021: <https://www.youtube.com/watch?v=9asggOTJ7og> (Year: 2020).*

(Continued)

Primary Examiner — Jack Reickel
Assistant Examiner — Bobby W Jones, II
(74) *Attorney, Agent, or Firm* — Tyler A. Stevenson;
Anna-lisa L. Gallo

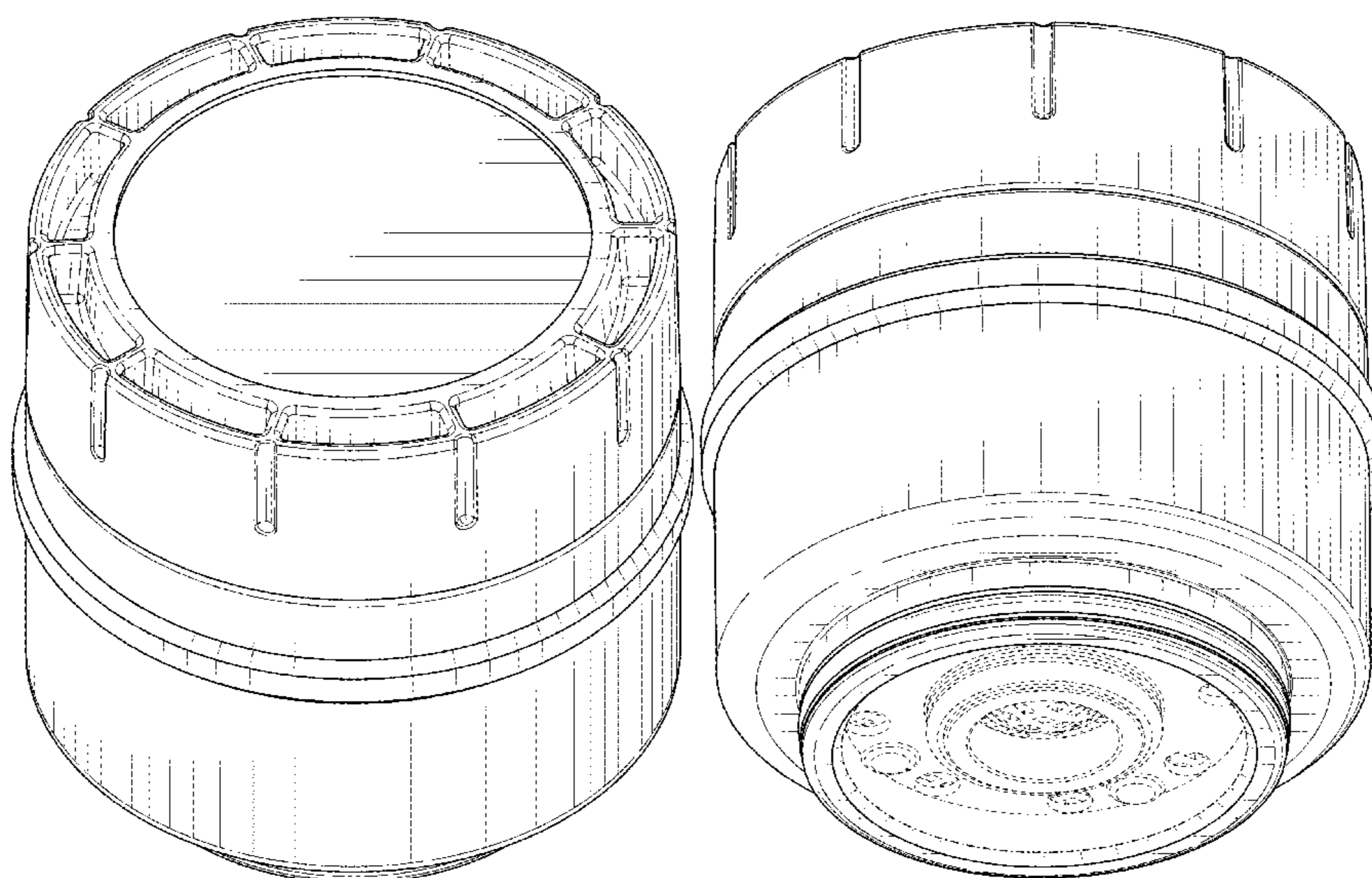
(57) **CLAIM**

The ornamental design for a filter cartridge, as shown and described.

DESCRIPTION

FIG. 1 is a top perspective view of a filter cartridge showing my new design;
FIG. 2 is a front view thereof;
FIG. 3 is a rear view thereof;
FIG. 4 is a left side view thereof;
FIG. 5 is a right side view thereof;
FIG. 6 is a top view thereof;
FIG. 7 is a bottom view thereof; and,
FIG. 8 is a bottom perspective view thereof.
The dot-clash broken line defines the bounds of the claimed design and form no part thereof. The dashed broken line showing of filter cartridge is for the purpose of illustrating environmental structure and forms no part of the claimed design.

1 Claim, 8 Drawing Sheets



(56)

References Cited

U.S. PATENT DOCUMENTS

2003/0070968	A1 *	4/2003	Haynes	B01D 35/31 210/87
2005/0051494	A1 *	3/2005	Na	C02F 1/003 210/694
2005/0056124	A1 *	3/2005	Zulauf	B01D 35/30 81/120
2007/0095744	A1 *	5/2007	Bagci	B01D 35/30 210/435
2009/0127198	A1 *	5/2009	Salvador	B01D 29/21 210/650
2014/0041348	A1 *	2/2014	Lawrence	A62B 18/08 55/493
2015/0027879	A1 *	1/2015	Myre	C02F 1/4672 204/260
2017/0304751	A1 *	10/2017	Zhibin	B01D 29/96
2017/0340993	A1 *	11/2017	Zhibin	B01D 35/30
2019/0365083	A1 *	12/2019	Qiu	C02F 1/441
2020/0070096	A1 *	3/2020	Uda	B01D 63/00

OTHER PUBLICATIONS

“Sprite SL2-CM Shower Filter”, May 28, 2004, Amazon, site visited May 24, 2021: <https://www.amazon.com/dp/B00154Z61I/> (Year: 2004).*

“PUR RF3375 Water Filter”, May 26, 2006, Amazon, site visited May 24, 2021: <https://www.amazon.com/dp/B000SE3W4O/> (Year: 2006).*

* cited by examiner

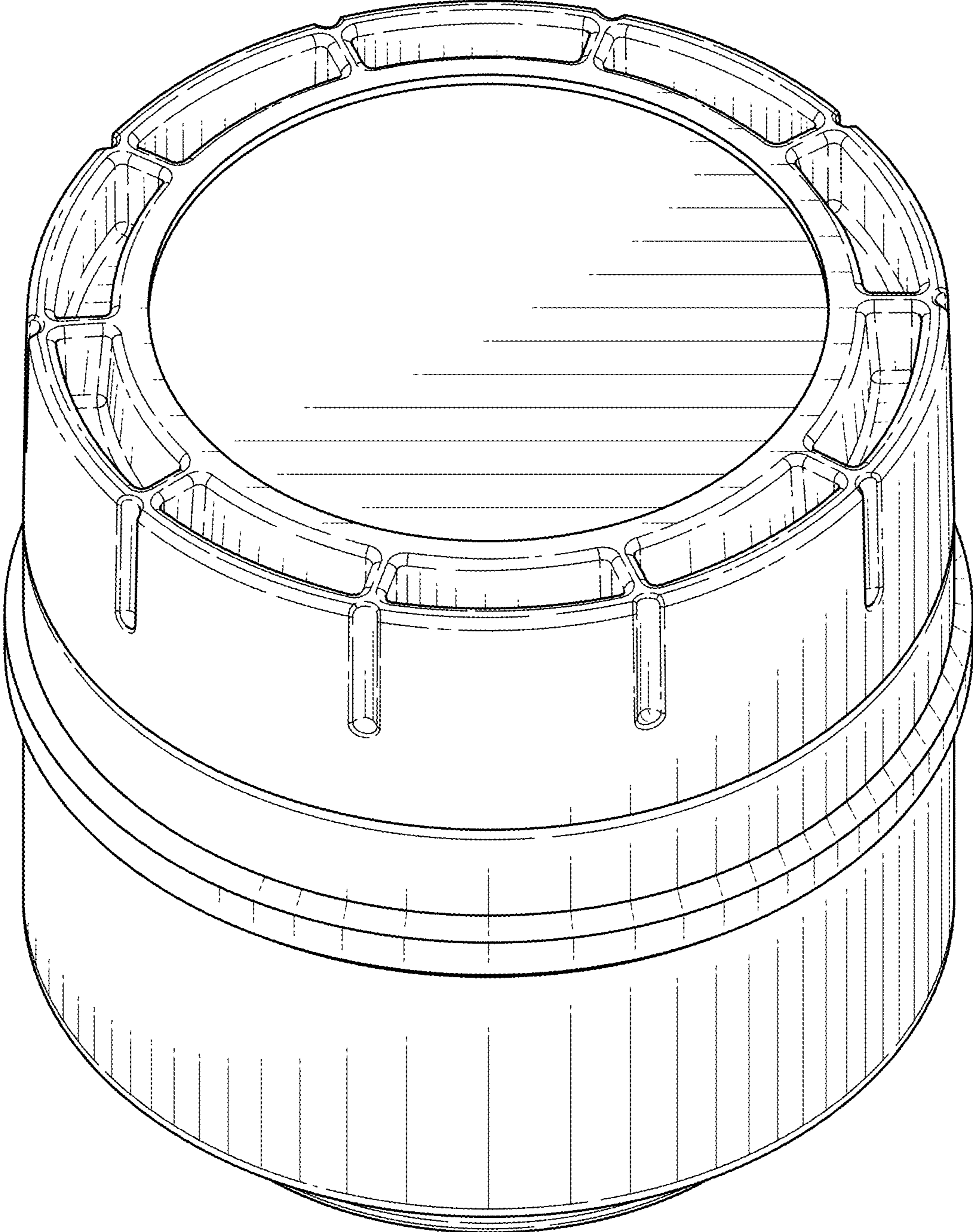


FIG. 1

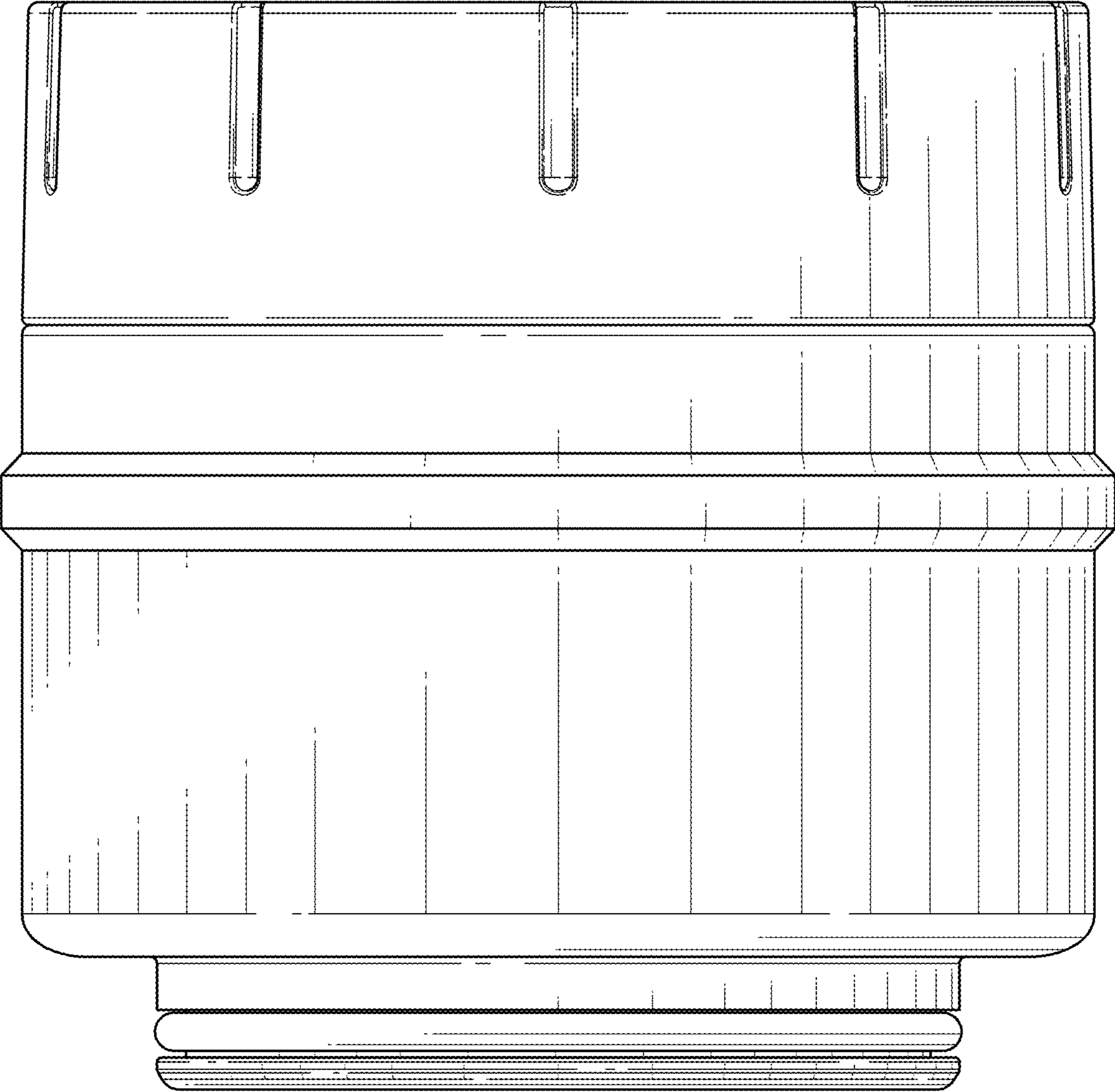


FIG. 2

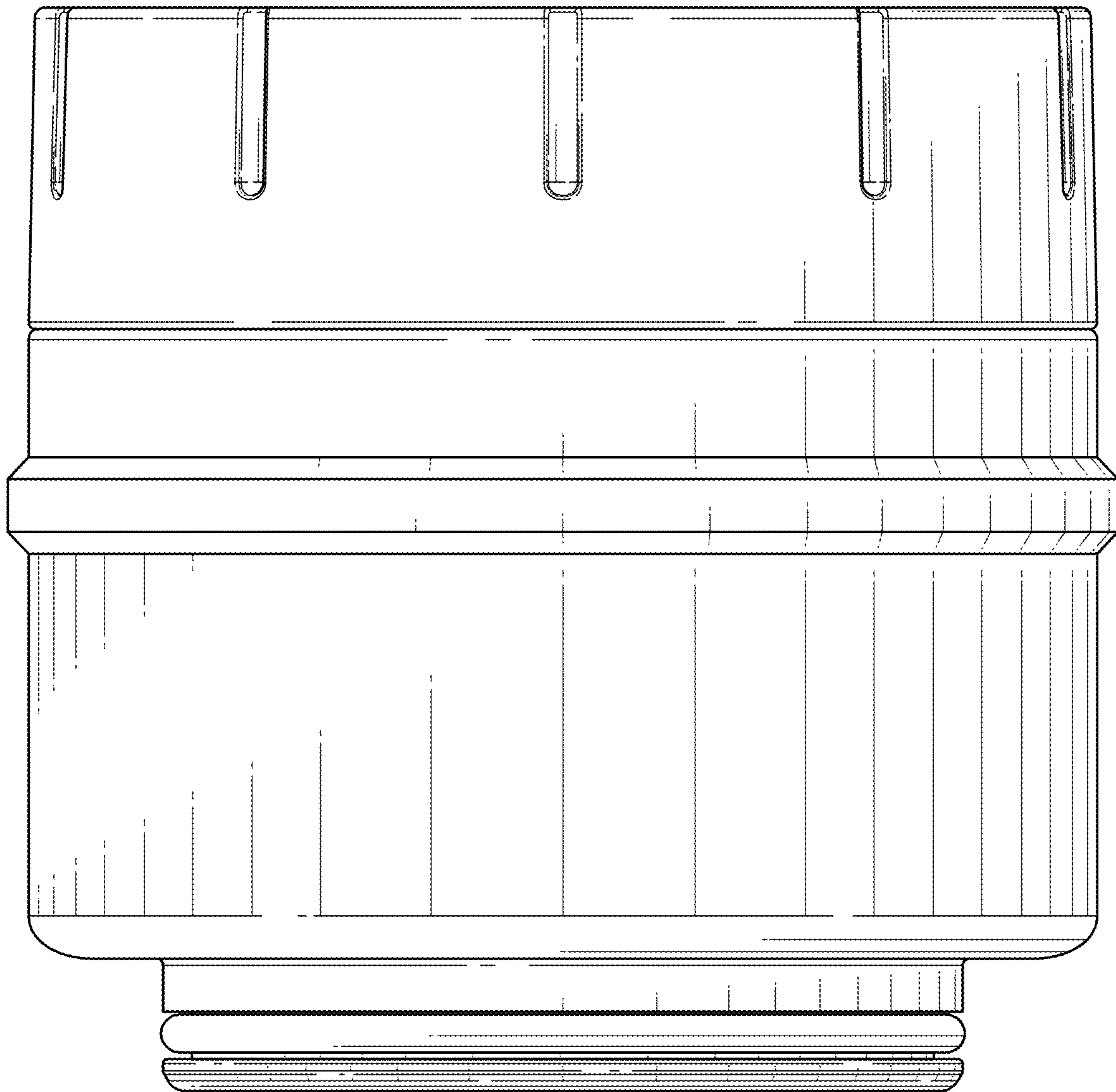


FIG. 3

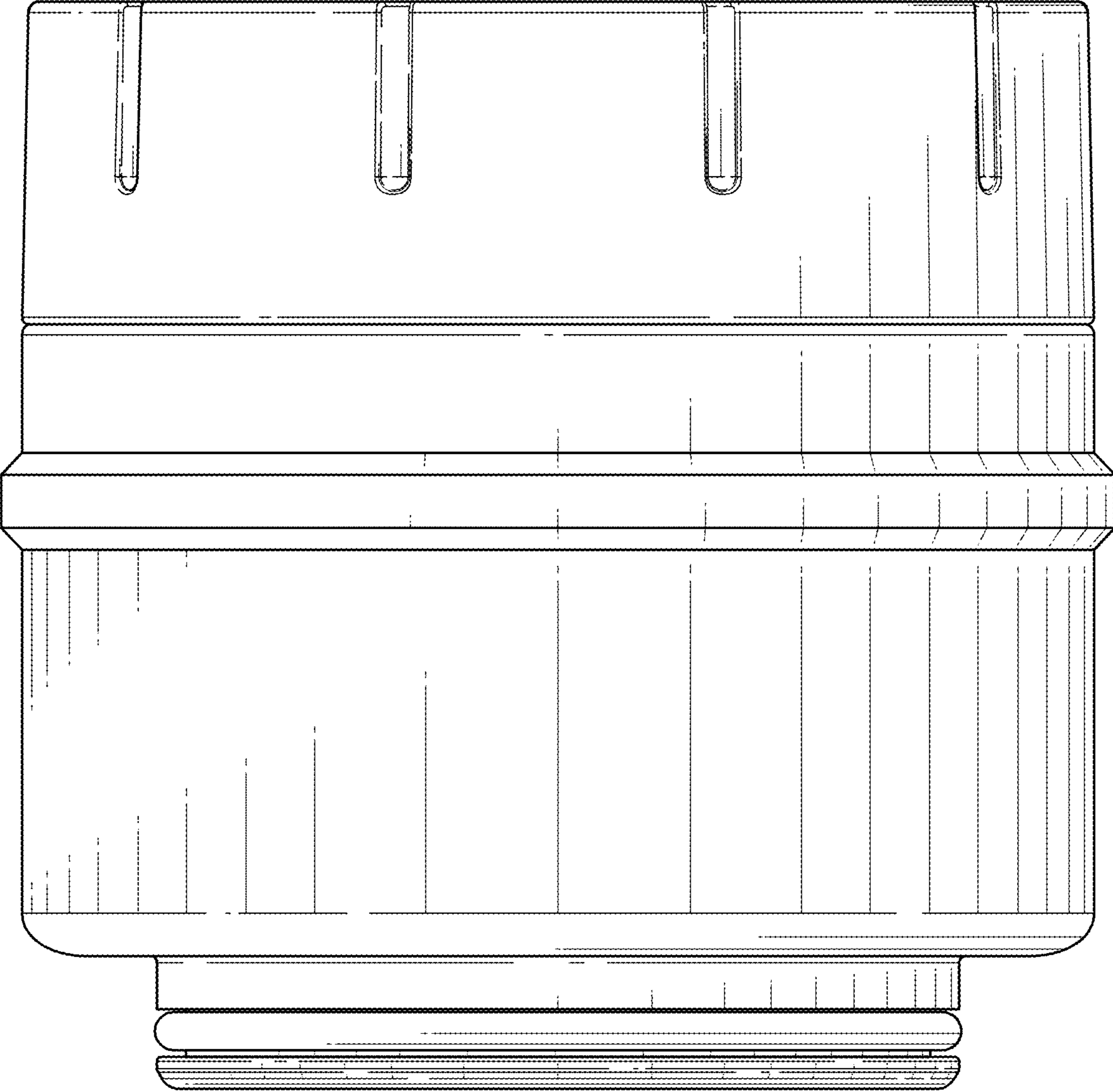


FIG. 4

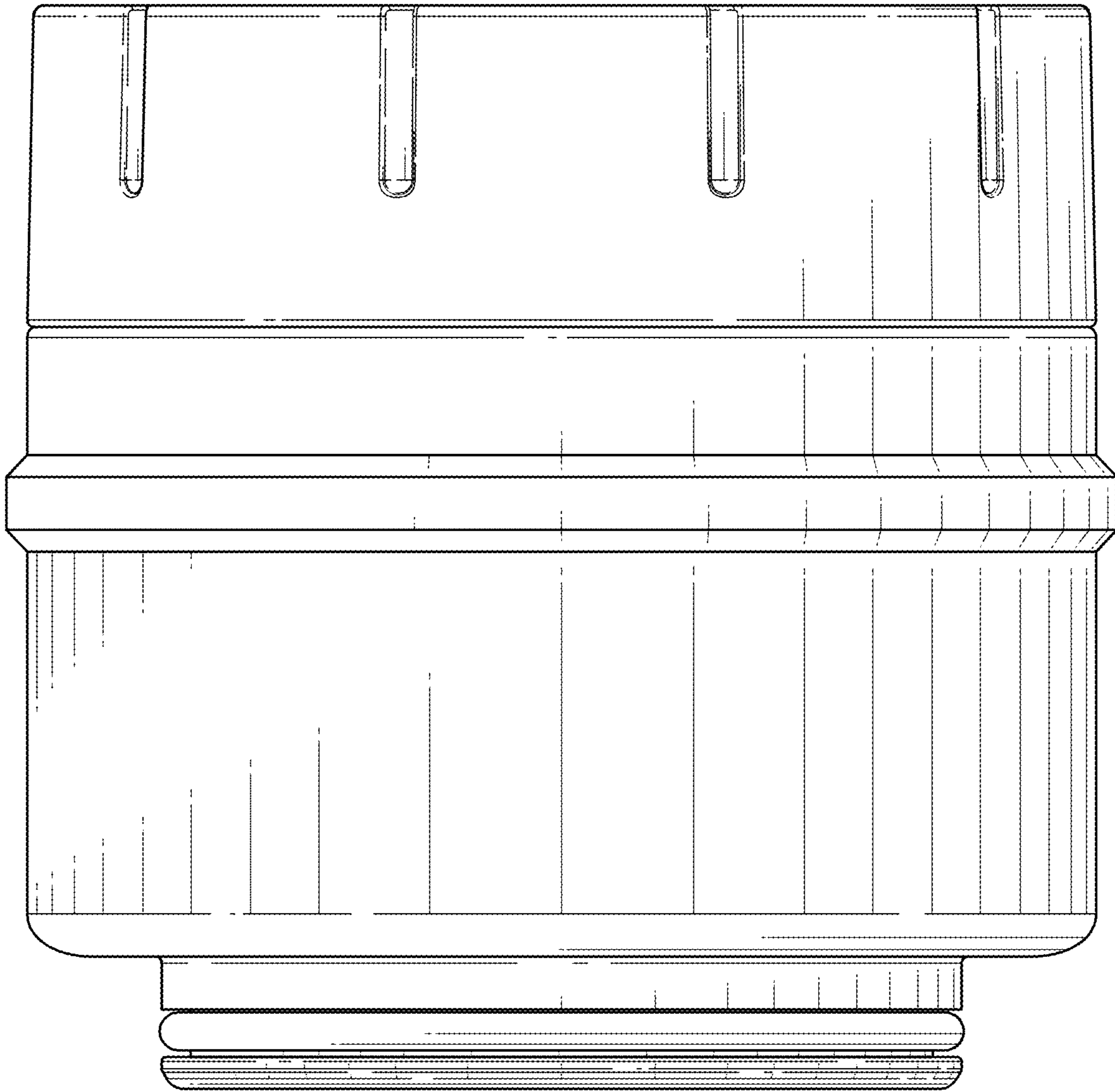


FIG. 5

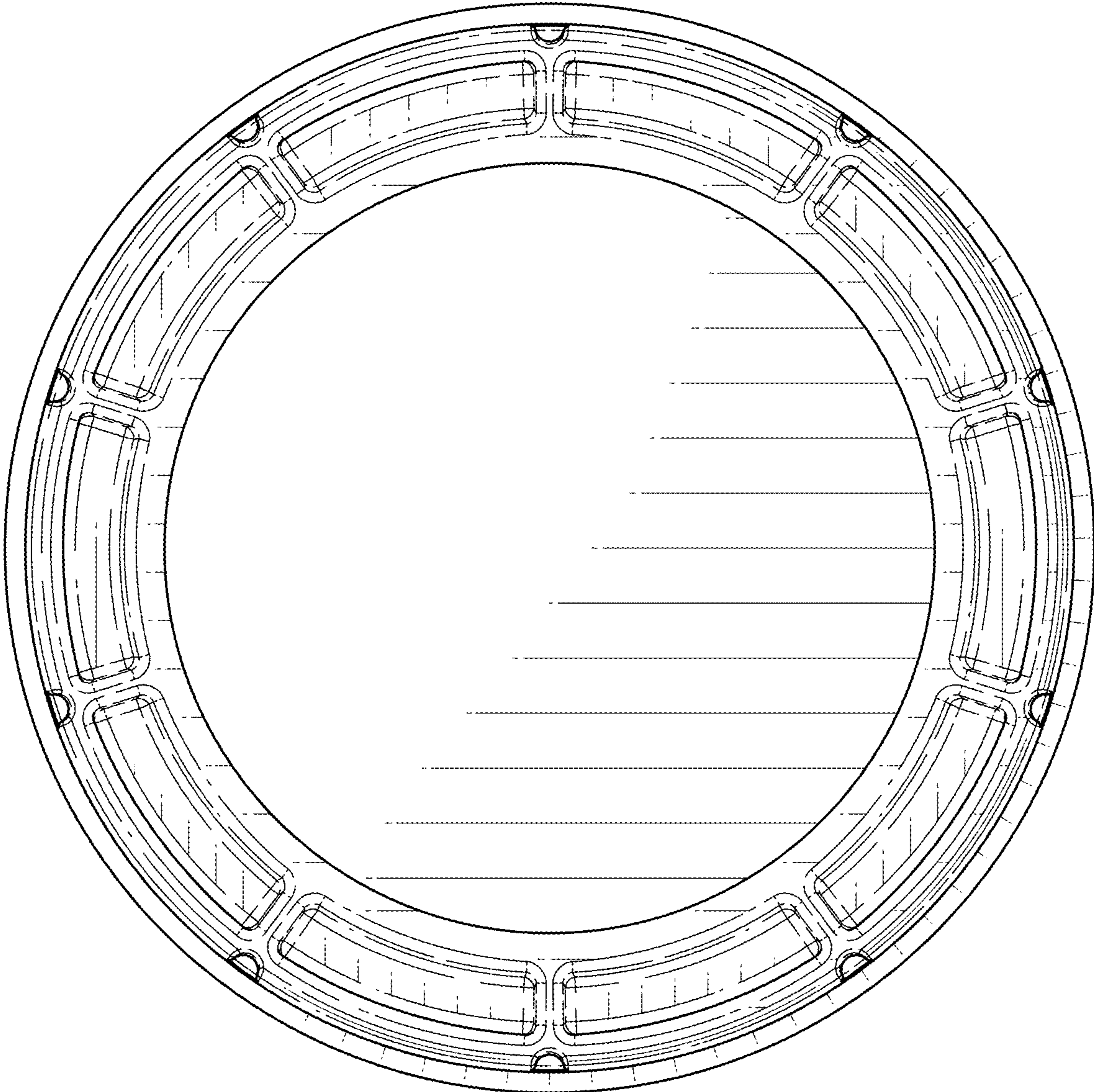


FIG. 6

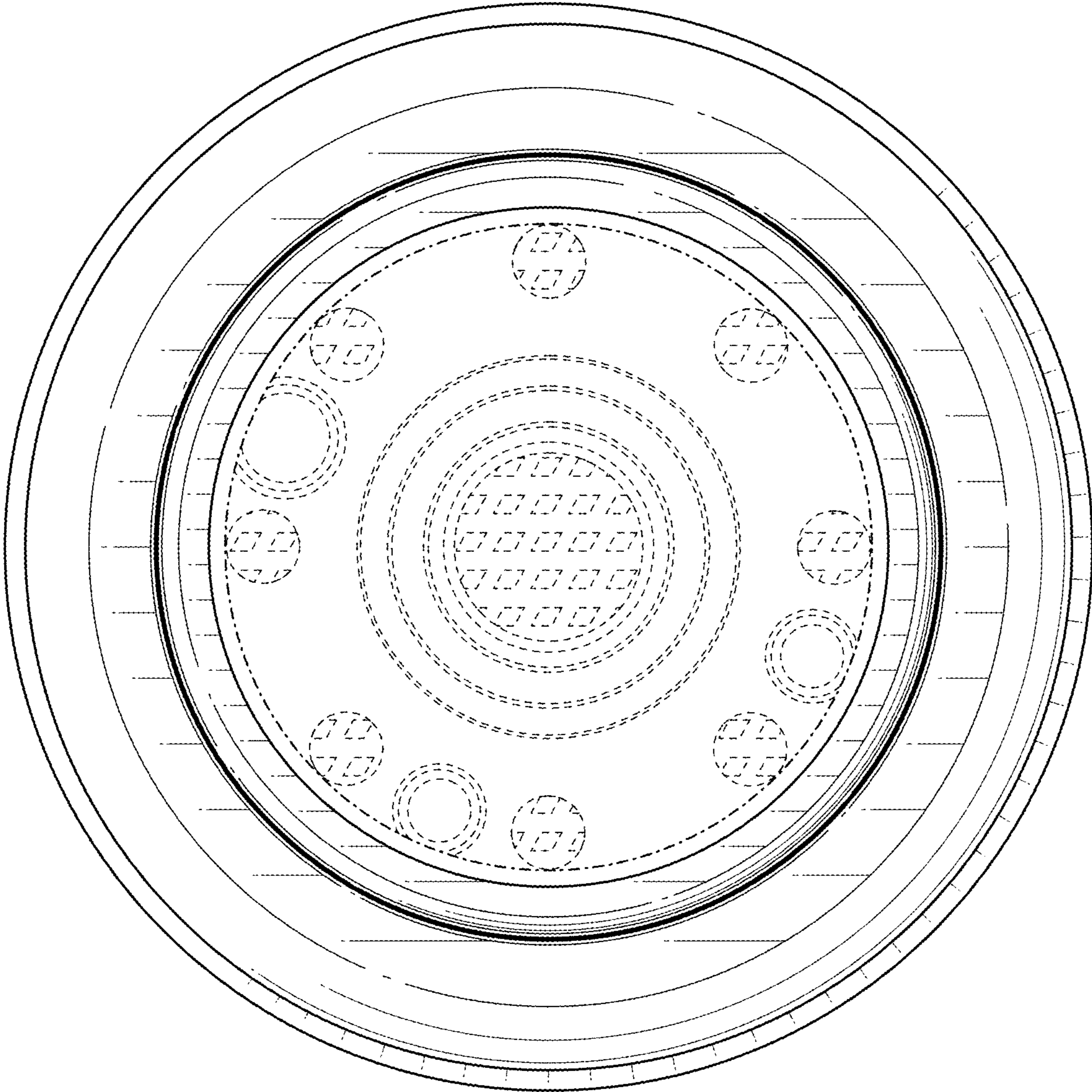


FIG. 7

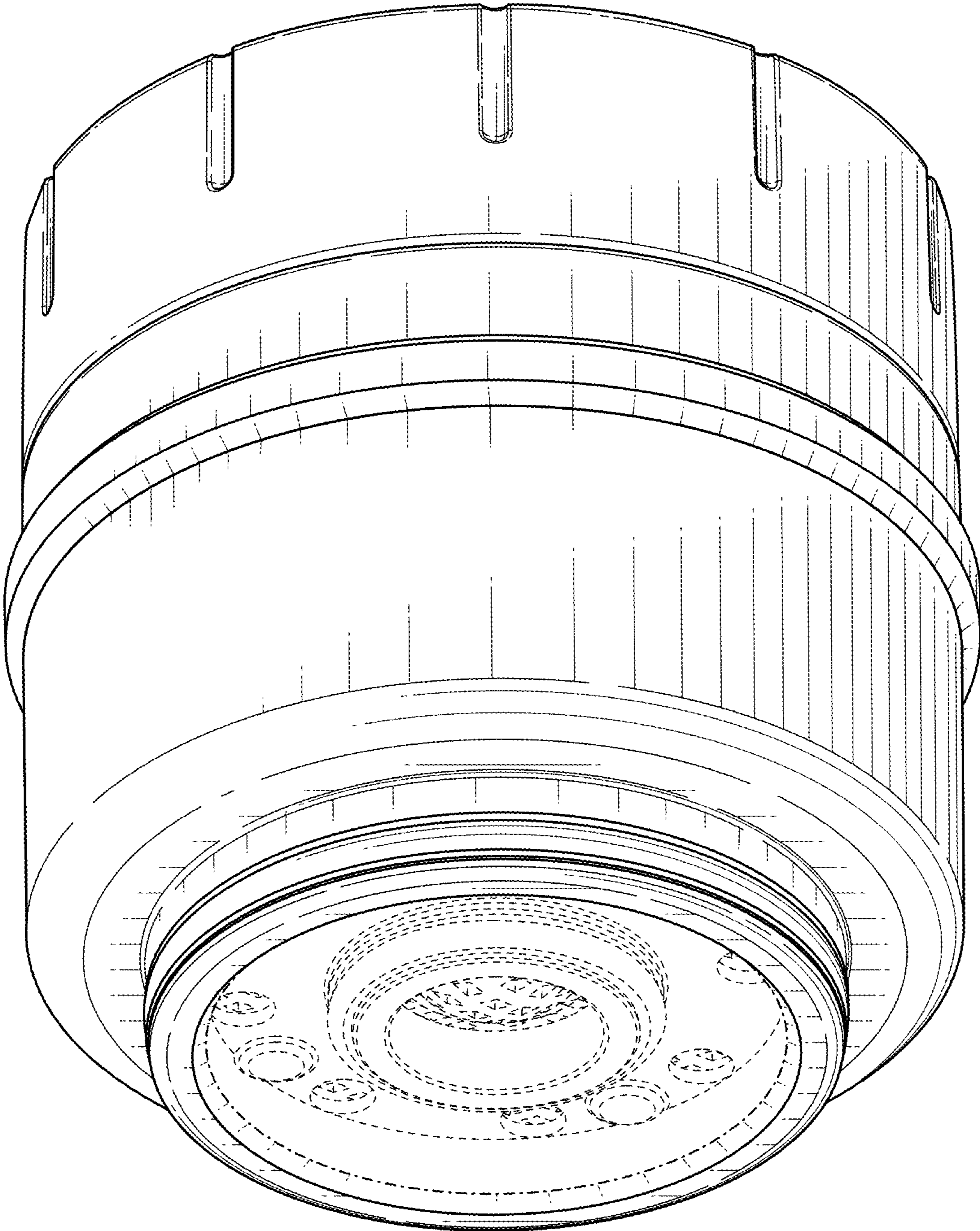


FIG. 8