



US00D933156S

(12) **United States Design Patent**
Cao et al.

(10) **Patent No.:** **US D933,156 S**

(45) **Date of Patent:** **** Oct. 12, 2021**

(54) **WATER PURIFIER**

(71) Applicant: **BEIJING XIAOMI MOBILE SOFTWARE CO., LTD.**, Beijing (CN)

(72) Inventors: **Dawei Cao**, Beijing (CN); **Ningning Li**, Beijing (CN); **Lei Zhang**, Beijing (CN); **Xuxu Li**, Beijing (CN); **Yuan Gao**, Beijing (CN)

(73) Assignee: **BEIJING XIAOMI MOBILE SOFTWARE CO., LTD.**, Beijing (CN)

(**) Term: **15 Years**

(21) Appl. No.: **35/508,866**

(22) Filed: **Sep. 18, 2019**

(80) **Hague Agreement Data**

Int. Filing Date: **Sep. 18, 2019**

Int. Reg. No.: **DM/206377**

Int. Reg. Date: **Sep. 18, 2019**

Int. Reg. Pub. Date: **Mar. 20, 2020**

(30) **Foreign Application Priority Data**

Mar. 18, 2019 (CN) 201930110367.2

(51) **LOC (13) Cl.** **23-01**

(52) **U.S. Cl.**
USPC **D23/207**

(58) **Field of Classification Search**

USPC D23/207, 209

CPC B01D 2258/06; B01D 2257/708; B01D 2257/91; B01D 2255/1021; B01D 2255/2073; B01D 2255/20761; B01D 35/30; B01D 35/153; C02F 1/42

See application file for complete search history.

(56) **References Cited**

U.S. PATENT DOCUMENTS

D278,650 S * 4/1985 Slovak D23/209

D678,979 S * 3/2013 Liu D23/207

D682,387 S *	5/2013	Tseng	D23/207
D683,421 S *	5/2013	Choi	D23/207
D718,414 S *	11/2014	Lo	D23/207
D741,982 S *	10/2015	Maeng	D23/207
D764,014 S *	8/2016	Lin	D23/207
D764,020 S *	8/2016	Wei	D23/209
D788,877 S *	6/2017	Yoon	D23/207
D789,484 S *	6/2017	Yoon	D23/207
D799,635 S *	10/2017	Kimura	D23/207
D825,027 S *	8/2018	He	D23/207

(Continued)

Primary Examiner — Natasha Vujcic

(74) *Attorney, Agent, or Firm* — Dickinson Wright PLLC

(57) **CLAIM**

The ornamental design for a water purifier, as shown and described.

DESCRIPTION

1. Water purifier

1.1 : Front

1.2 : Back

1.3 : Left

1.4 : Right

1.5 : Top

1.6 : Bottom

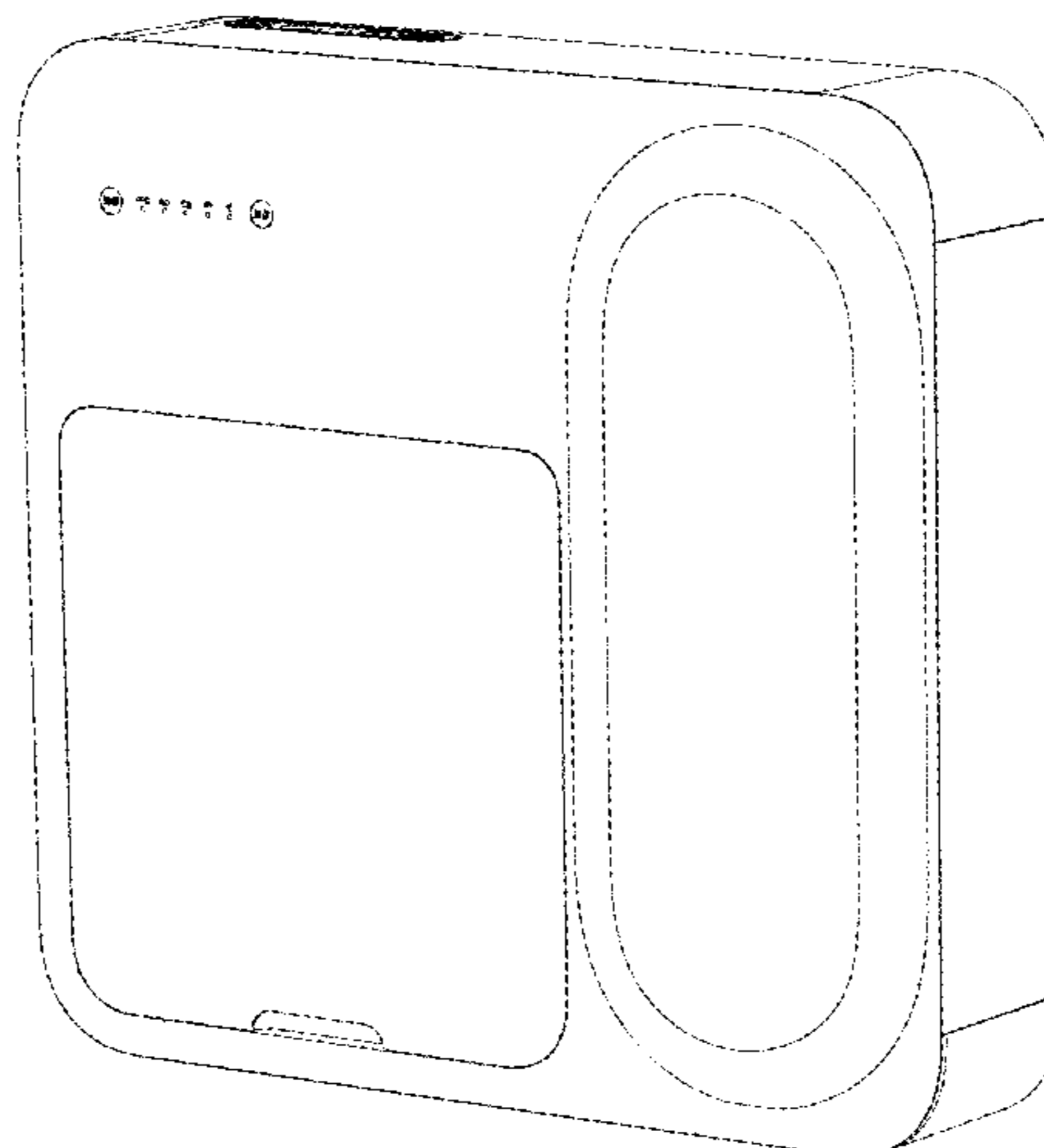
1.7 : Perspective

1.8 : Perspective

1.1 is a front elevation view of a water purifier showing our new design; **1.2** is a back elevation view thereof; **1.3** is a left side elevation view thereof; **1.4** is a right plan view thereof; **1.5** is a top plan view thereof; **1.6** is a bottom plan view thereof; **1.7** is a perspective view thereof; **1.8** is a reference view showing a usage state of the water purifier; the reproduction **1.8** is disclaimed and thus forms no part of the claimed design; the water purifier incorporating the new design is mainly used for filtration and purification treatment of water.

The broken lines in the drawings illustrate portions of the water purifier and form no part of the claimed design.

1 Claim, 8 Drawing Sheets



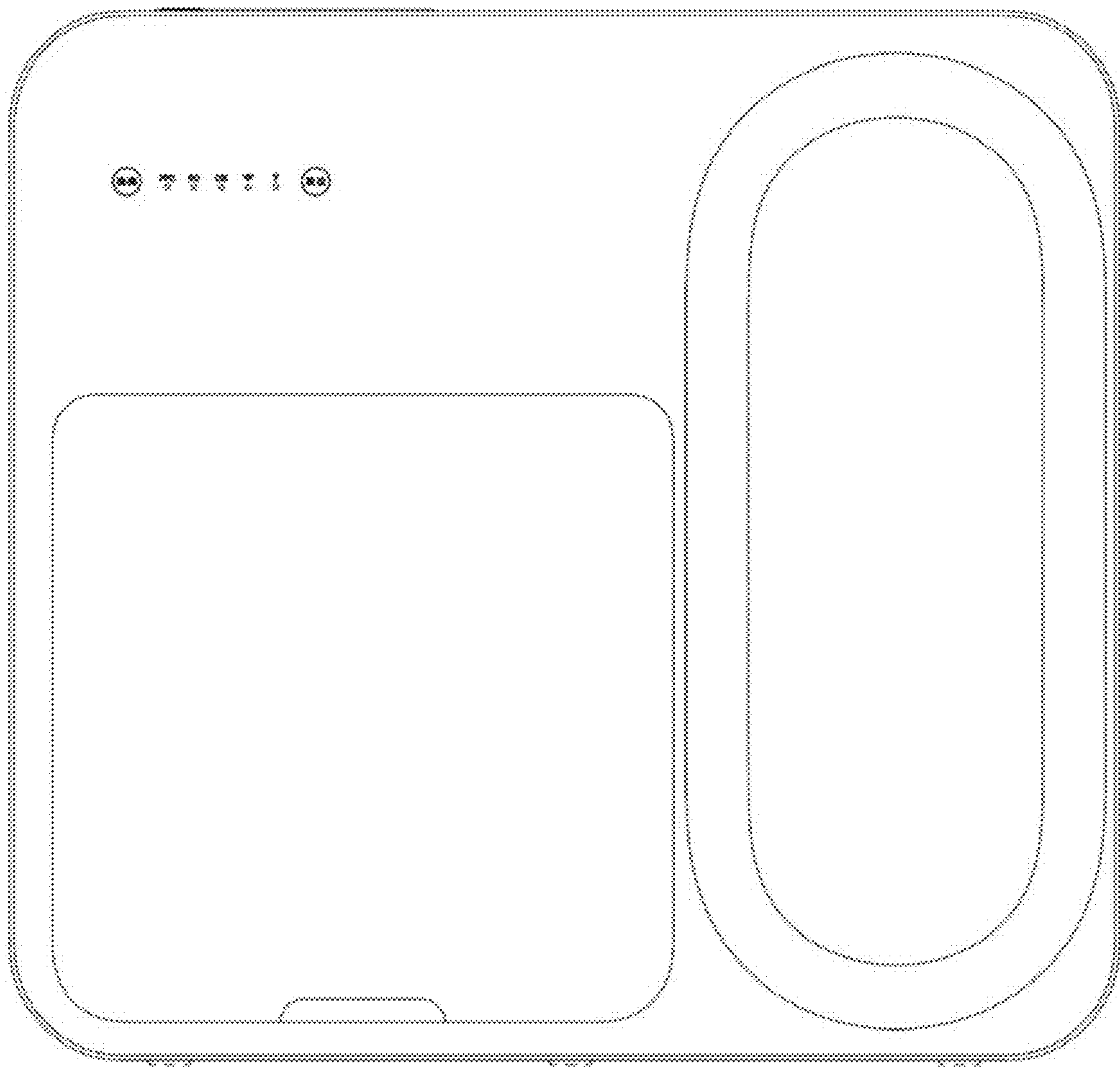
(56)

References Cited

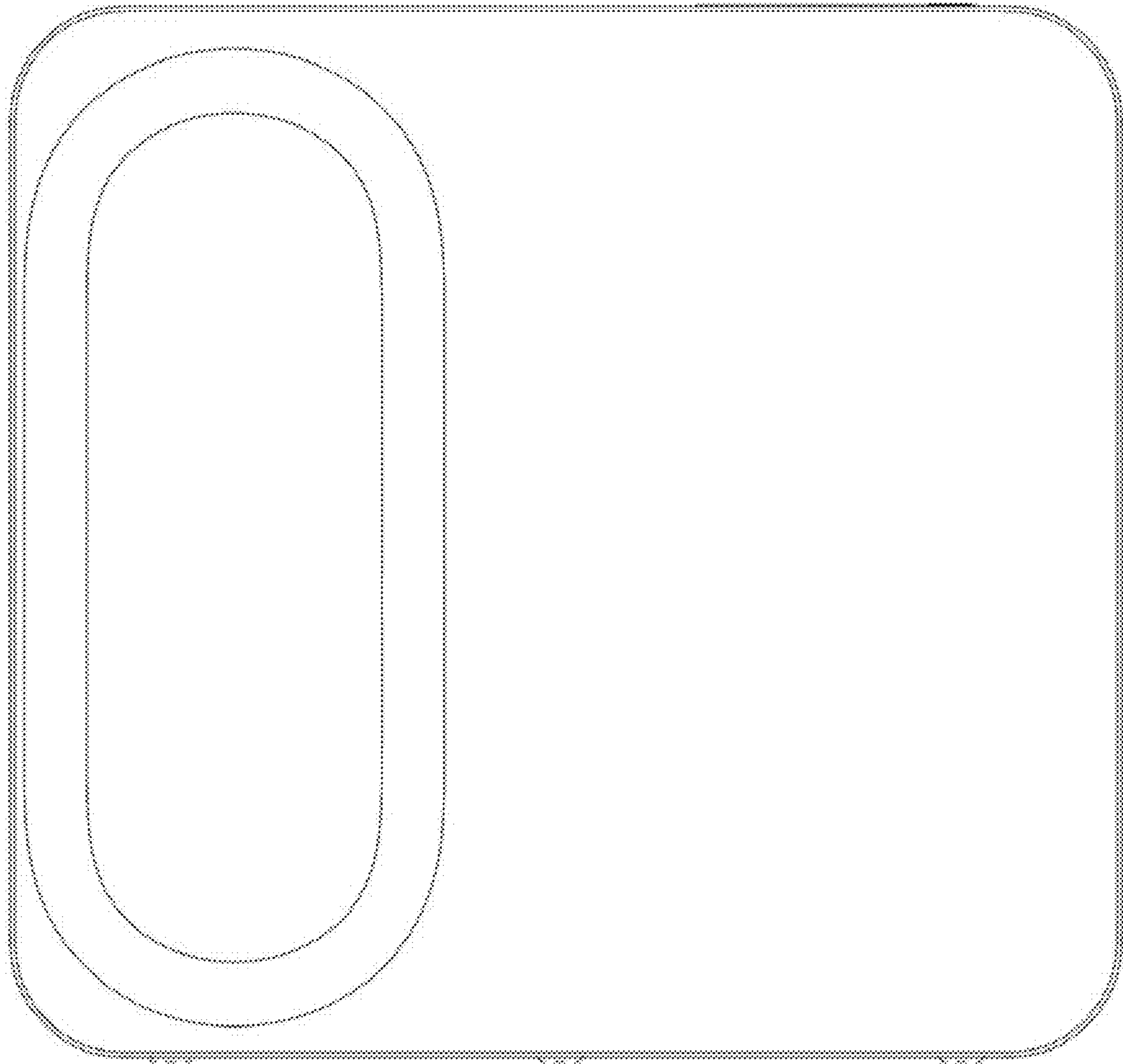
U.S. PATENT DOCUMENTS

D855,151 S	*	7/2019	Joo	D23/207
D872,225 S	*	1/2020	Joo	D23/207
D888,485 S	*	6/2020	Kim	D7/306
D900,960 S	*	11/2020	Lee	D23/207

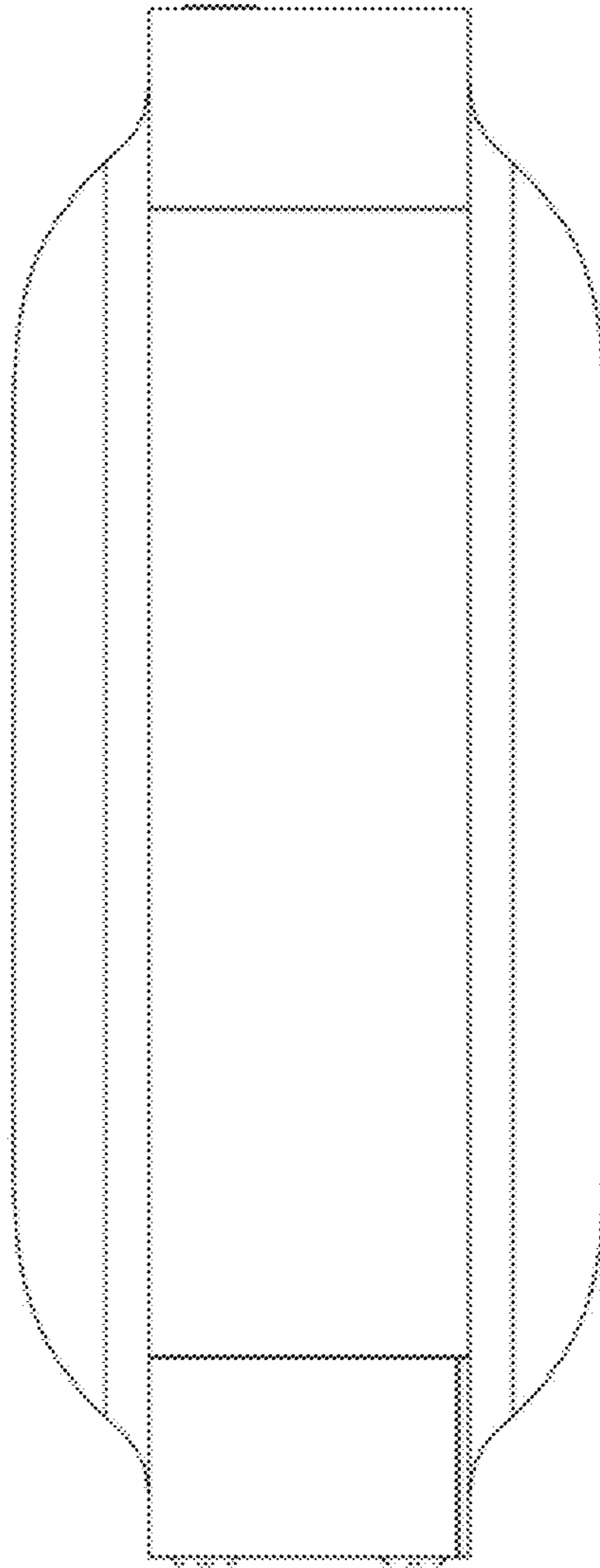
* cited by examiner



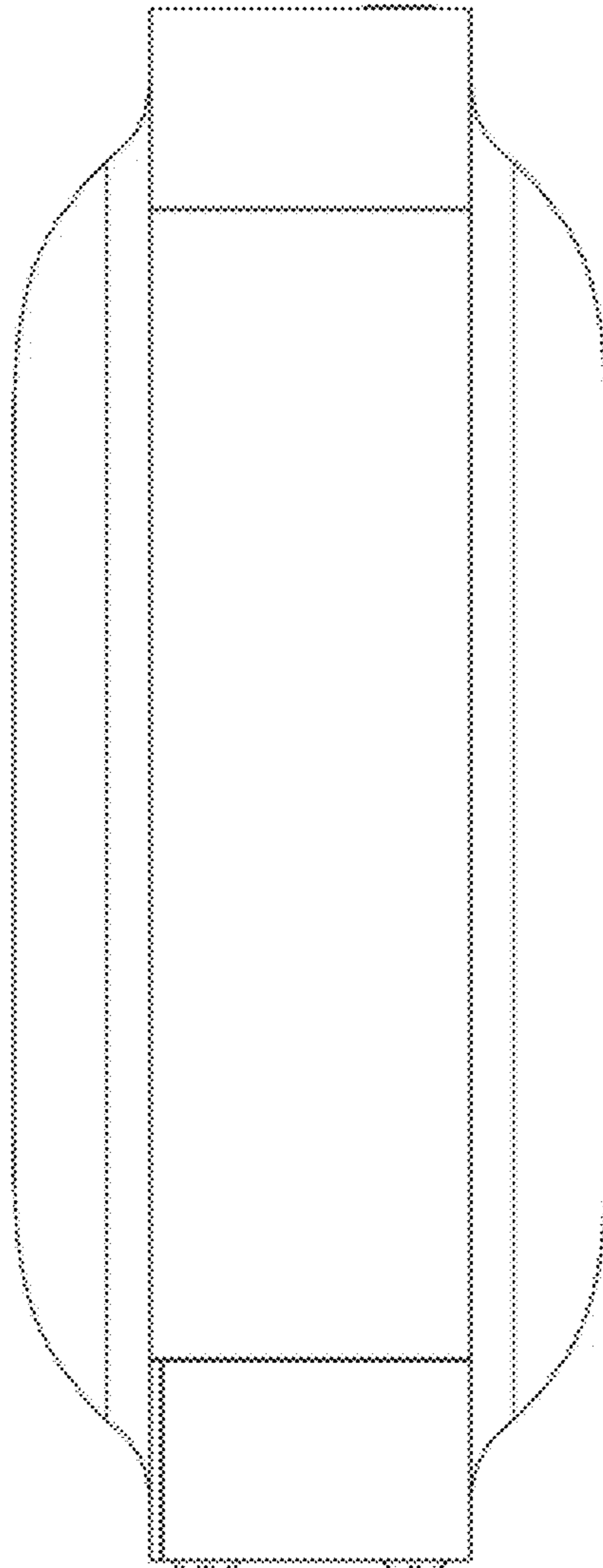
1.1



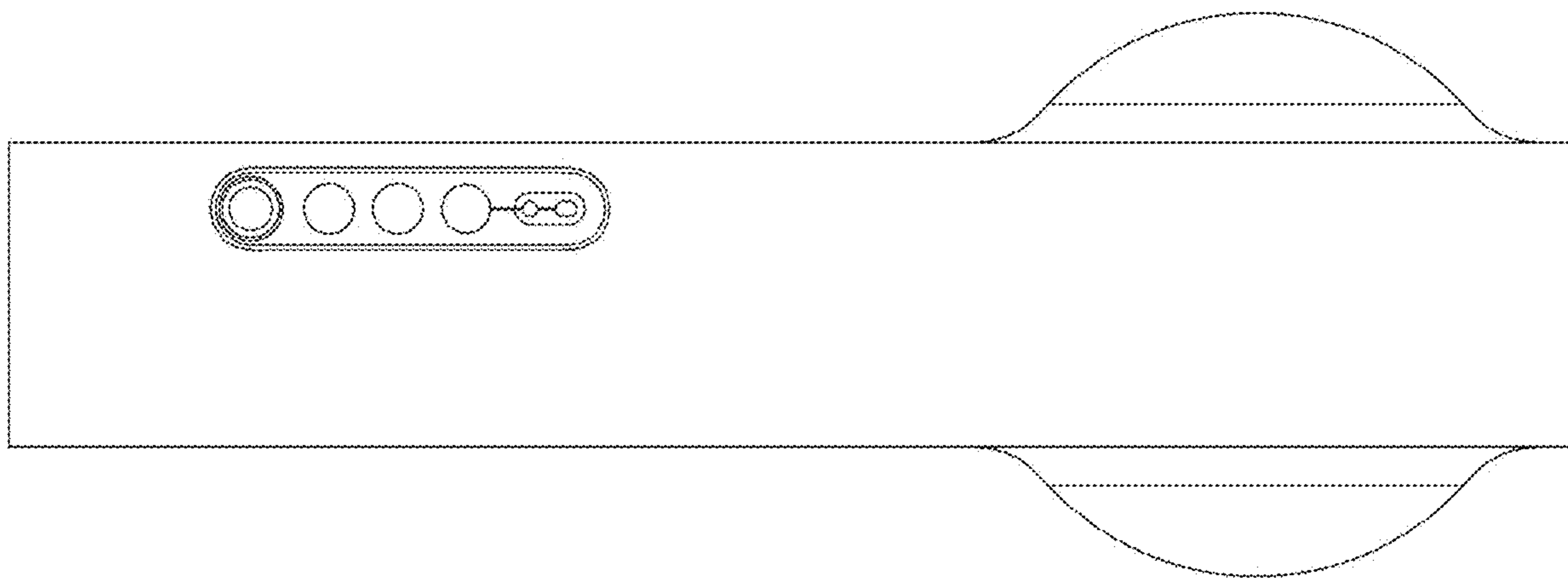
1.2



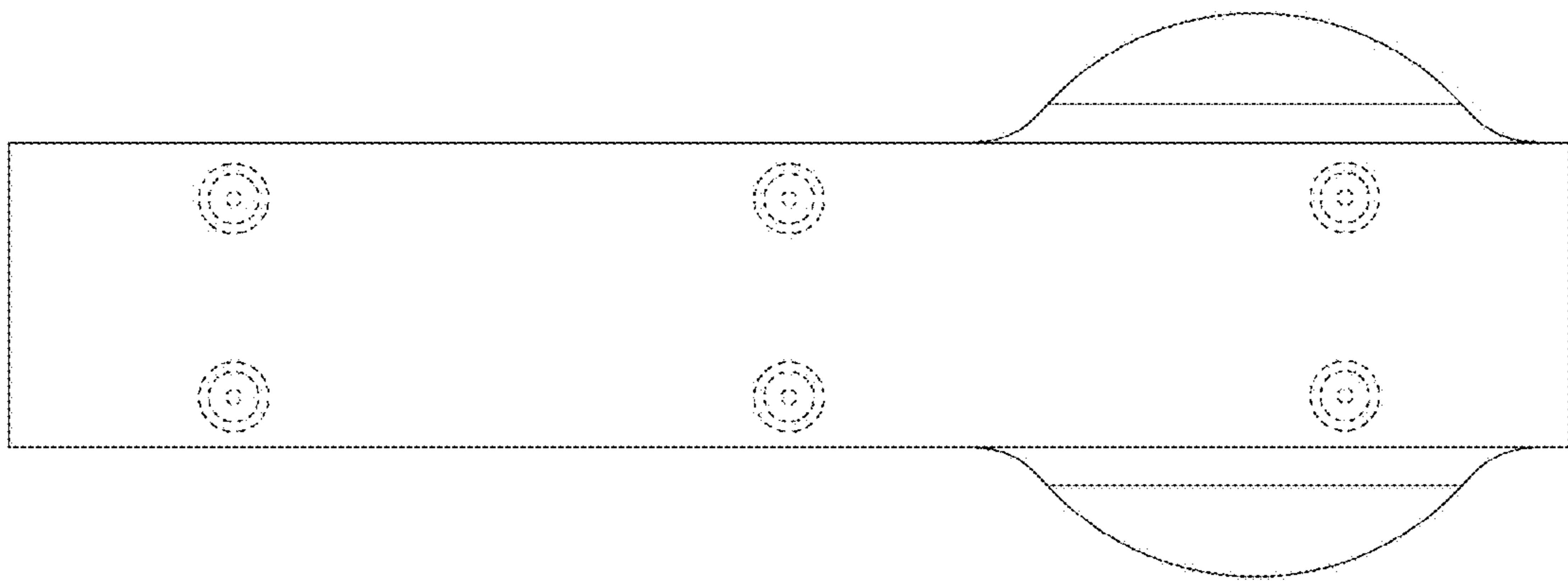
1.3



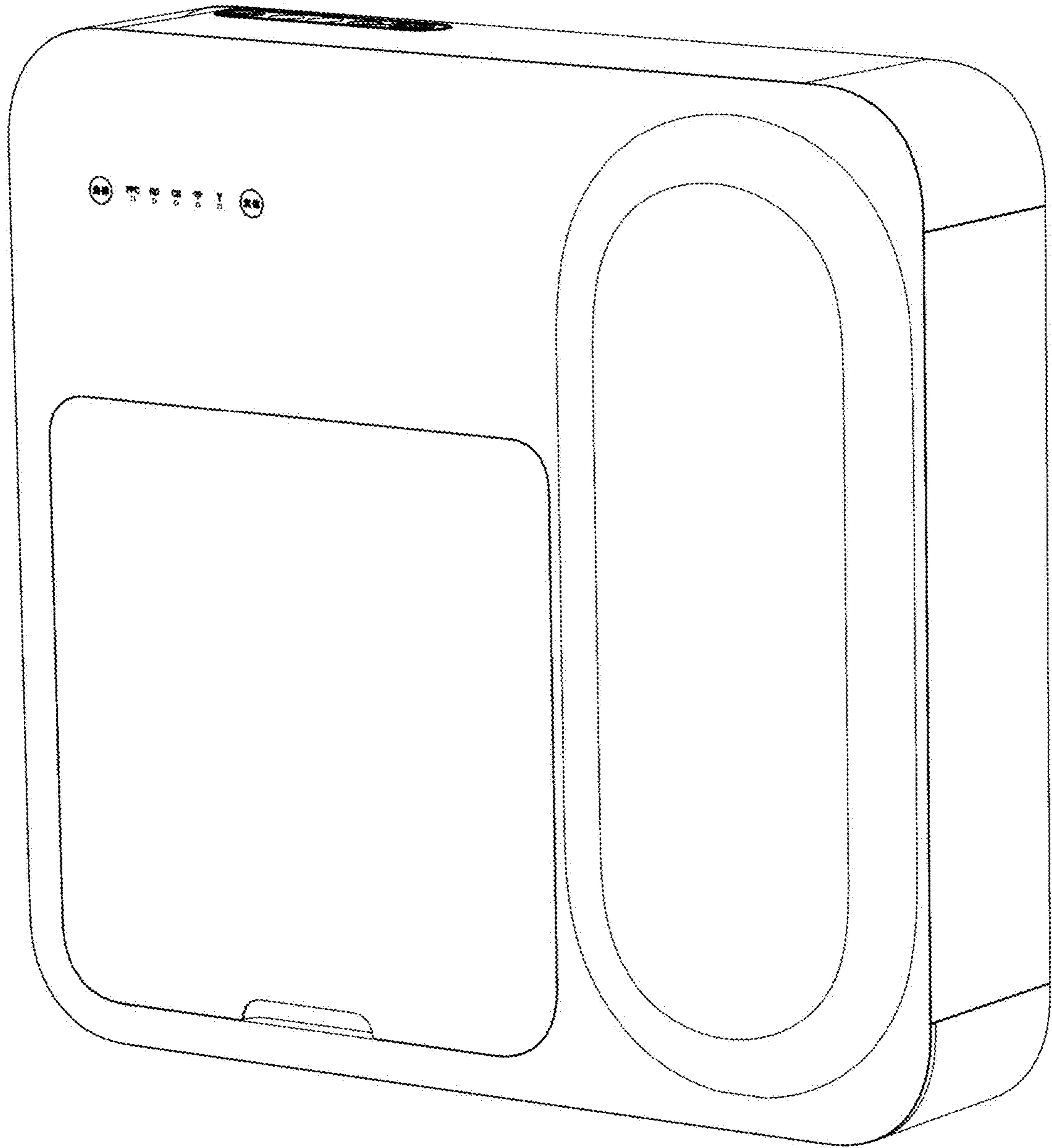
1.4



1.6



1.7



1.8

