



US00D933155S

(12) **United States Design Patent** (10) **Patent No.:** **US D933,155 S**  
**Hsu** (45) **Date of Patent:** **\*\* Oct. 12, 2021**

(54) **INFLATABLE DOG FLOAT**

FOREIGN PATENT DOCUMENTS

(71) Applicant: **Intex Marketing Ltd.**, Tortola (VG)

CN 304695509 S 6/2018

(72) Inventor: **Kun Chao Hsu**, Fujian (CN)

CN 304695512 S 6/2018

(73) Assignee: **Intex Marketing Ltd.**, Tortola (VG)

CN 304822075 S 9/2018

(\*\*) Term: **15 Years**

OTHER PUBLICATIONS

(21) Appl. No.: **29/713,356**

“Intex Dog Island” Jul. 26, 2020,site visited Nov. 12, 2020:https://www.walmart.com/ip/Intex-Dog-Island/197666869 (Year: 2020).\*

(22) Filed: **Nov. 15, 2019**

(Continued)

(30) **Foreign Application Priority Data**

*Primary Examiner* — Michael C Stout

Jun. 4, 2019 (CN) ..... 201930285181.0

*Assistant Examiner* — Melvin L Davis

(51) **LOC (13) Cl.** ..... **21-01**

(74) *Attorney, Agent, or Firm* — Faegre Drinker Biddle & Reath LLP

(52) **U.S. Cl.**

USPC ..... **D21/808**; D21/803

(58) **Field of Classification Search**

USPC ..... D6/597–599, 601; D12/316; D21/803,  
D21/805–806, 808, 809

CPC .. A63B 21/4005; A47C 15/006; A47C 15/008

See application file for complete search history.

(57) **CLAIM**

The ornamental design for an inflatable dog float, as shown and described.

(56) **References Cited**

**DESCRIPTION**

U.S. PATENT DOCUMENTS

D286,662 S \* 11/1986 Weinberg ..... D21/611  
D397,740 S 9/1998 Georgevich  
D473,769 S 4/2003 Kelleghan  
D474,060 S \* 5/2003 Zeepvat ..... D6/598  
D538,875 S 3/2007 Rockstad et al.  
D585,727 S 2/2009 Kelleghan  
D597,638 S \* 8/2009 Lebrun ..... D23/304  
D603,926 S 11/2009 Merker et al.  
D626,192 S 10/2010 Hunter  
D654,245 S 2/2012 School  
D656,280 S 3/2012 St. Clair  
D661,456 S 6/2012 Couttenye et al.  
D676,202 S 2/2013 Hansen  
D693,862 S 11/2013 Wirth et al.  
D722,667 S \* 2/2015 Hsu ..... D21/803

FIG. 1 is a front perspective view of an inflatable dog float showing my new design;

FIG. 2 is a front elevational view thereof;

FIG. 3 is a rear elevational view thereof;

FIG. 4 is a left side elevational view thereof;

FIG. 5 is a right side elevational view thereof;

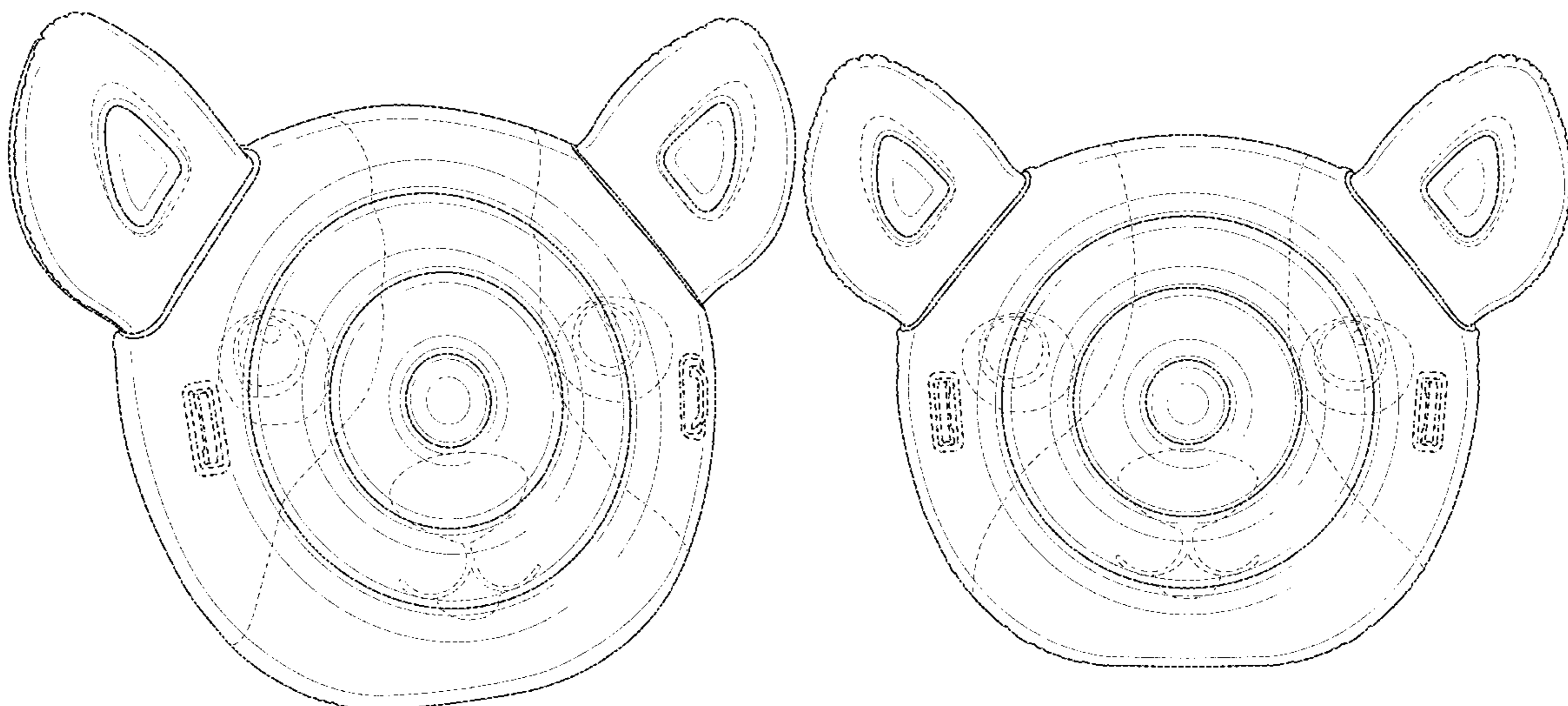
FIG. 6 is a top plan view thereof; and,

FIG. 7 is a bottom plan view thereof.

Broken lines illustrate environmental structure and forms no part of the claimed design. The broken lines crossing into claimed areas represent surface indicia that does not form part of the claimed design. Features on lower surfaces and surrounded by broken lines form no part of the claimed design.

(Continued)

**1 Claim, 7 Drawing Sheets**



(56)

**References Cited**

U.S. PATENT DOCUMENTS

D759,339 S 6/2016 Xavier  
 D770,893 S \* 11/2016 Katopis ..... D9/451  
 D772,607 S \* 11/2016 Daxon ..... D6/590  
 D776,766 S \* 1/2017 Weisman ..... D21/608  
 D785,120 S 4/2017 Wampold  
 D790,021 S 6/2017 Su  
 D793,513 S 8/2017 George, II  
 D796,953 S 9/2017 Katopis  
 D812,594 S 3/2018 Katopis  
 D819,901 S 6/2018 Bone et al.  
 D859,776 S 9/2019 Khan  
 D866,998 S \* 11/2019 Zheng ..... D6/333  
 D867,688 S \* 11/2019 Crane ..... D30/160  
 D869,817 S 12/2019 White  
 D872,206 S \* 1/2020 Engler ..... D21/808  
 D873,363 S \* 1/2020 Hsu ..... D21/808

D873,364 S \* 1/2020 Hsu ..... D21/808  
 D874,273 S 2/2020 Katopis  
 D902,504 S 11/2020 Katopis  
 2012/0068396 A1 3/2012 Wirth et al.  
 2016/0088953 A1\* 3/2016 Benezri ..... A45F 4/00  
 224/261

OTHER PUBLICATIONS

Kooltail Paw Dog Pool Float Large Inflatable Rafi for Pets 49"×46"×3.5". Website visited Nov. 13, 2019, copyright 2019, publication date unknown. Available online at <http://www.offdesign.com/swimming-ring/kooltail-paw-dog-pool-float-large-inflatable-raft-for-pets-49-x-46-x-3.5-b07b9pxz8k.html>. 1 page.  
 "Intex Bear Paw Glitter Lounge" Jun. 23, 2020, site visited Mar. 22, 2021; <https://www.walmart.com/ip/Intex-Bear-Paw-Glitter-Lounge/726266950> (Year: 2020).

\* cited by examiner

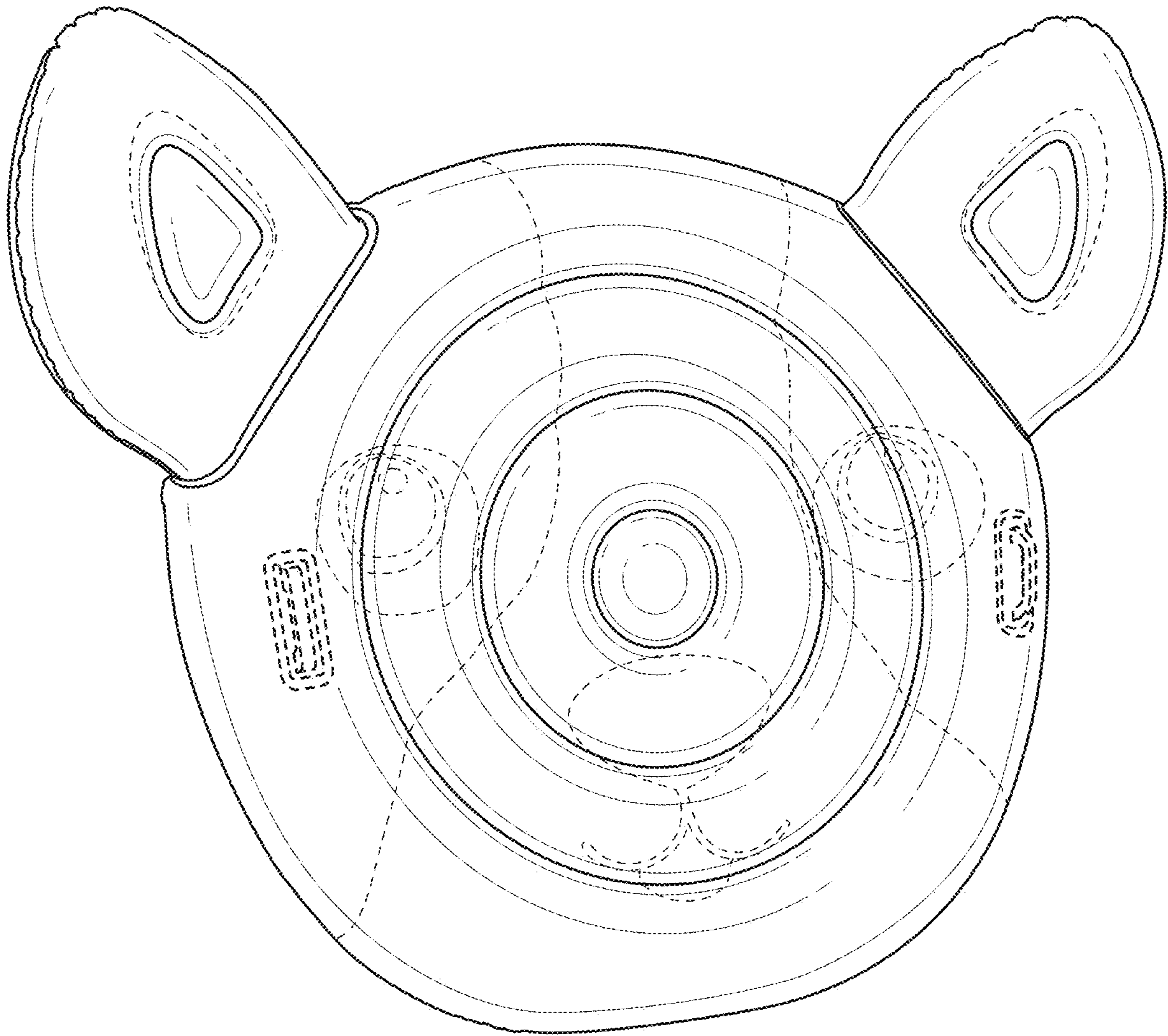


FIG. 1

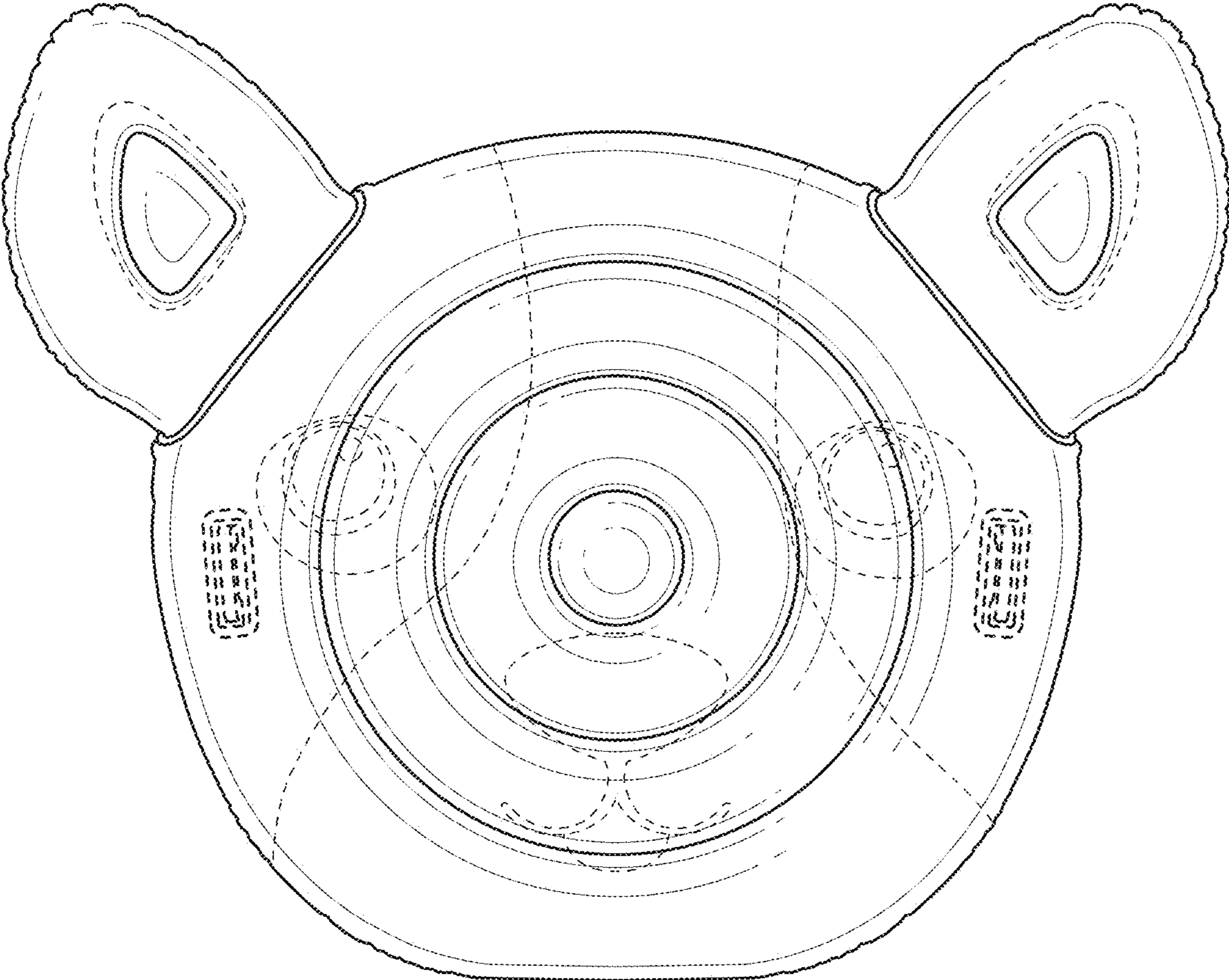


FIG. 2

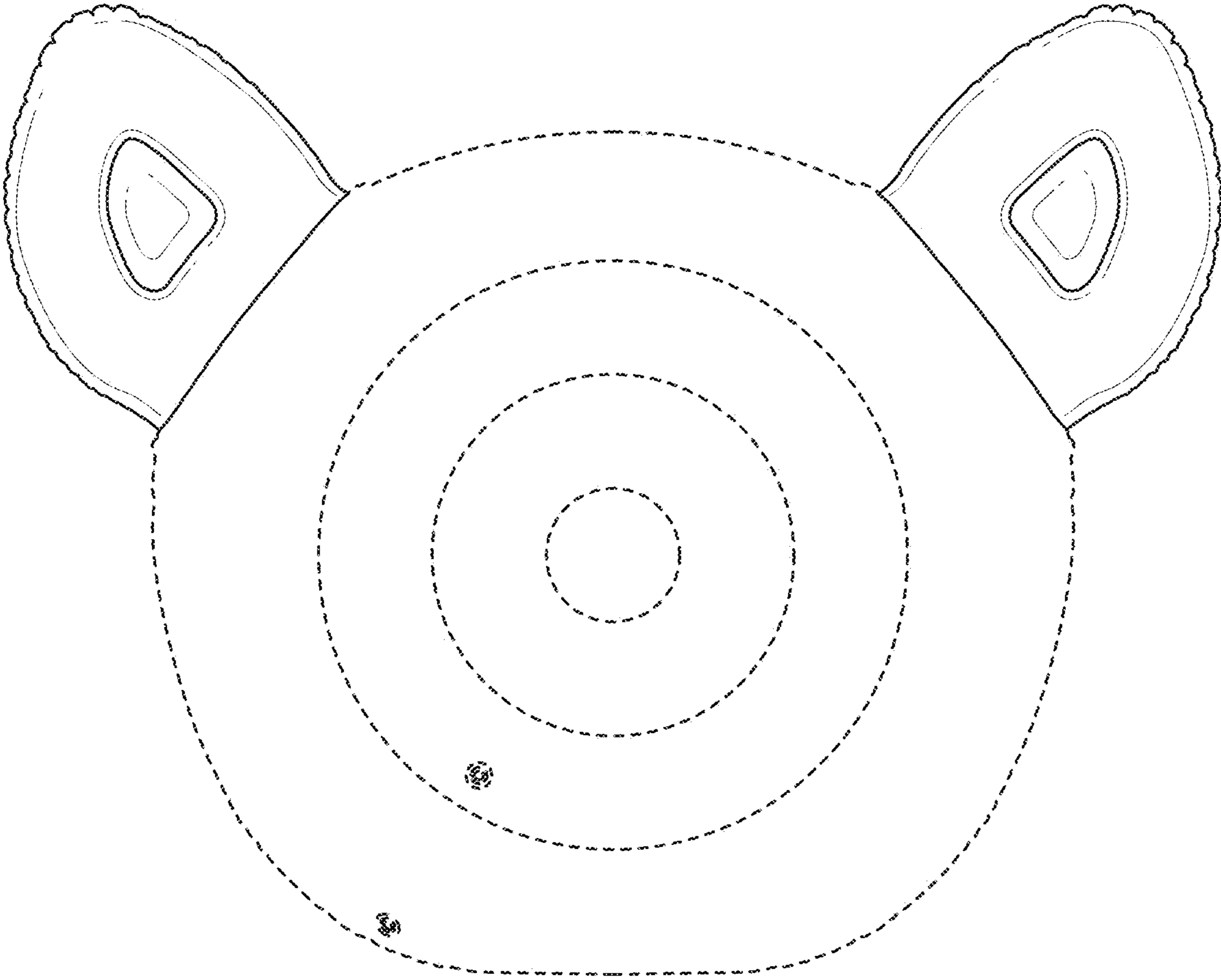


FIG. 3

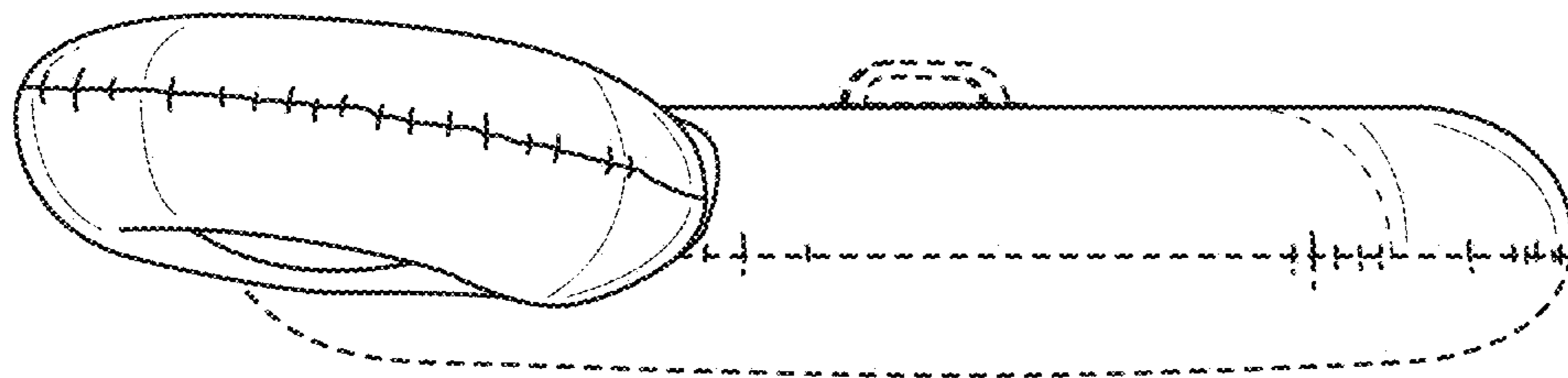


FIG. 4

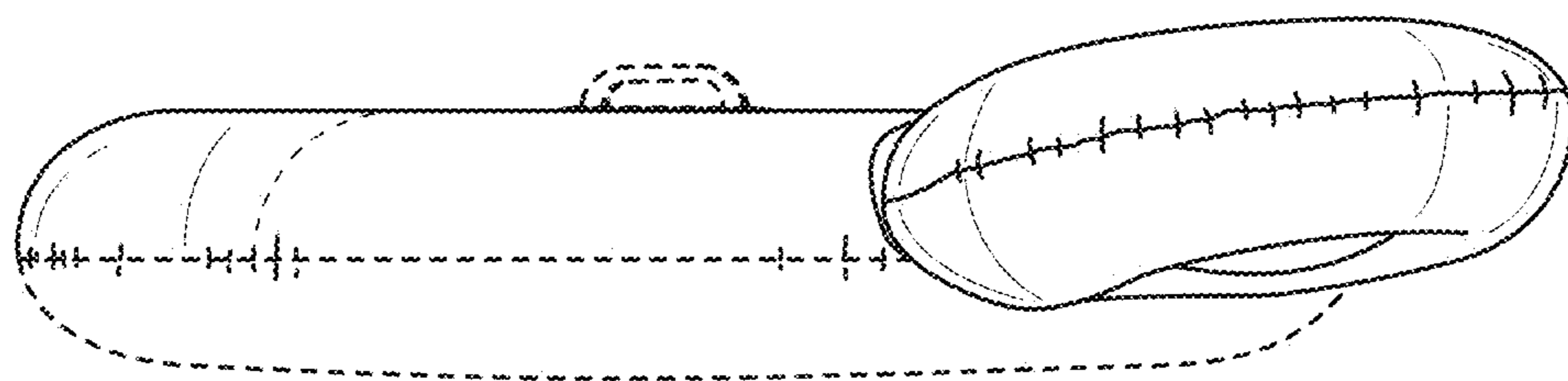


FIG. 5

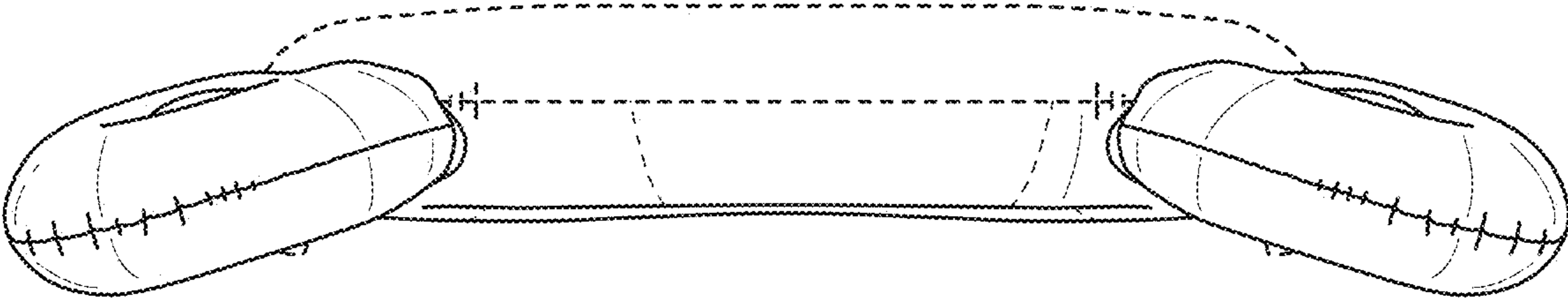


FIG. 6



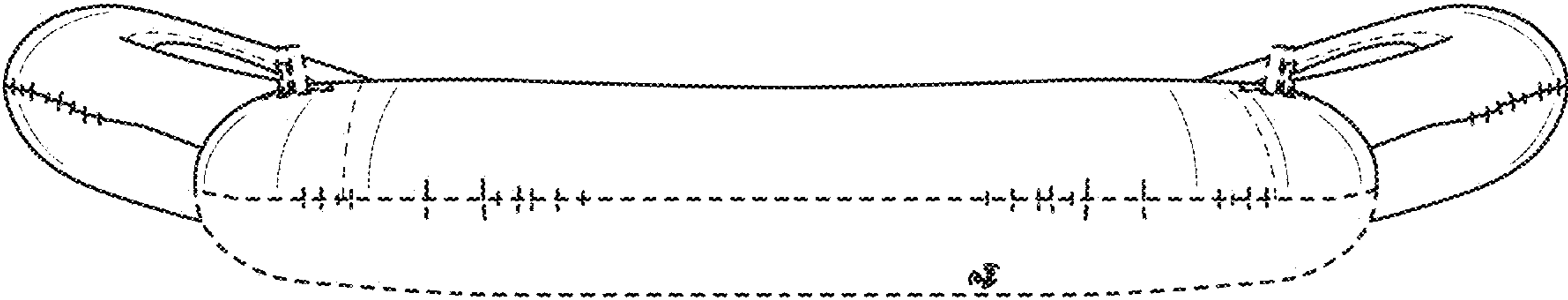


FIG. 7